

MITSUBISHI RF POWER TRANSISTOR 2SC1970

NPN EPITAXIAL PLANAR TYPE

DESCRIPTION

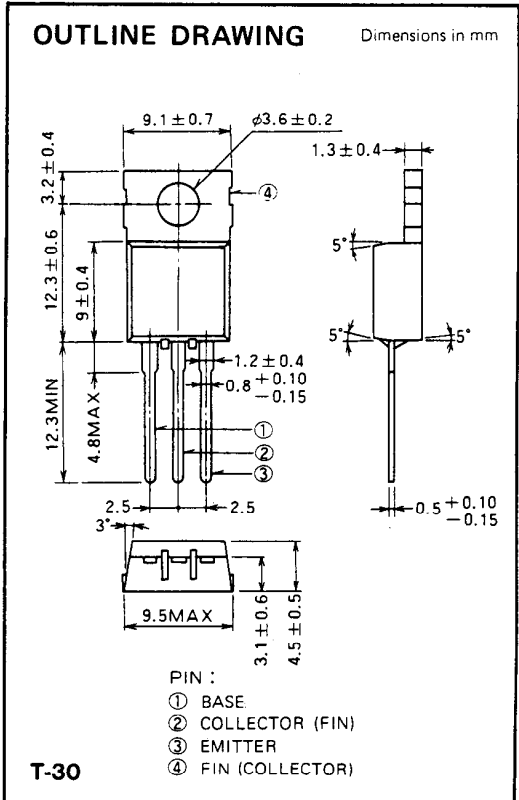
2SC1970 is a silicon NPN epitaxial planar type transistor designed for RF power amplifiers on VHF band mobile radio applications.

FEATURES

- High power gain: $G_{pe} \geq 9.2\text{dB}$
@ $V_{CC} = 13.5\text{V}$, $P_O = 1\text{W}$, $f = 175\text{MHz}$
- Emitter ballasted construction, gold metallization for high reliability and good performances.
- TO-220 package similarly is combinient for mounting.

APPLICATION

0.8 to 1 watts output power amplifiers and driver in VHF band mobile radio applications.



ABSOLUTE MAXIMUM RATINGS ($T_C = 25^\circ\text{C}$ unless otherwise specified)

Symbol	Parameter	Conditions	Ratings	Unit
V_{CBO}	Collector to base voltage		40	V
V_{EBO}	Emitter to base voltage		4	V
V_{CEO}	Collector to emitter voltage	$R_{BE} = \infty$	17	V
I_C	Collector current		0.6	A
P_C	Collector dissipation	$T_a = 25^\circ\text{C}$	1	W
		$T_C = 25^\circ\text{C}$	5	W
T_J	Junction temperature		150	$^\circ\text{C}$
T_{stg}	Storage temperature		-55 to 150	$^\circ\text{C}$
R_{th-a}	Thermal resistance	Junction to ambient	125	$^\circ\text{C}/\text{W}$
R_{th-c}		Junction to case	25	$^\circ\text{C}/\text{W}$

Note. Above parameters are guaranteed independently.

ELECTRICAL CHARACTERISTICS ($T_C = 25^\circ\text{C}$ unless otherwise specified)

Symbol	Parameter	Test conditions	Limits			Unit
			Min	Typ	Max	
$V_{(BR)EBO}$	Emitter to base breakdown voltage	$I_E = 1\text{mA}$, $I_C = 0$	4			V
$V_{(BR)CBO}$	Collector to base breakdown voltage	$I_C = 5\text{mA}$, $I_E = 0$	40			V
$V_{(BR)CEO}$	Collector to emitter breakdown voltage	$I_C = 50\text{mA}$, $R_{BE} = \infty$	17			V
I_{CBO}	Collector cutoff current	$V_{CB} = 25\text{V}$, $I_E = 0$			100	μA
I_{EBO}	Emitter cutoff current	$V_{EB} = 3\text{V}$, $I_C = 0$			100	μA
h_{FE}	DC forward current gain *	$V_{CE} = 10\text{V}$, $I_C = 0.1\text{A}$	10	50	180	—
P_O	Output power	$V_{CC} = 13.5\text{V}$, $P_{in} = 0.12\text{W}$, $f = 175\text{MHz}$	1	1.2		W
η_C	Collector efficiency		50	60		%

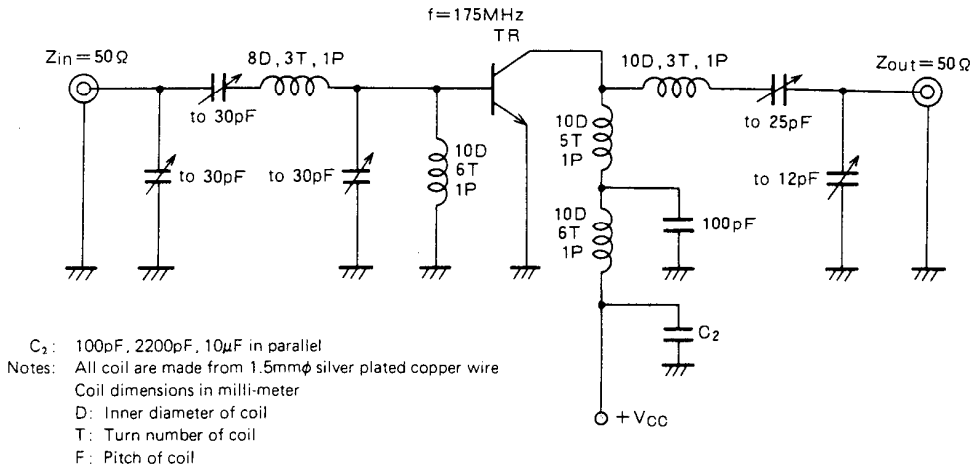
Note. * Pulse test, $P_W = 150\mu\text{s}$, duty = 5%.

Above parameters, ratings, limits and conditions are subject to change.

NOV. '97

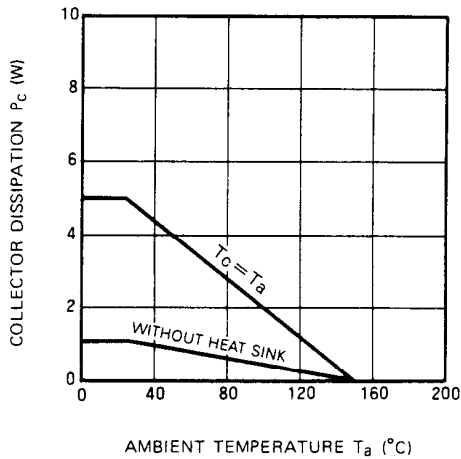
NPN EPITAXIAL PLANAR TYPE

TEST CIRCUIT

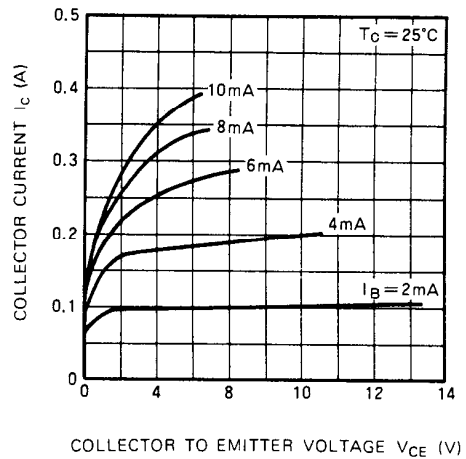


TYPICAL PERFORMANCE DATA

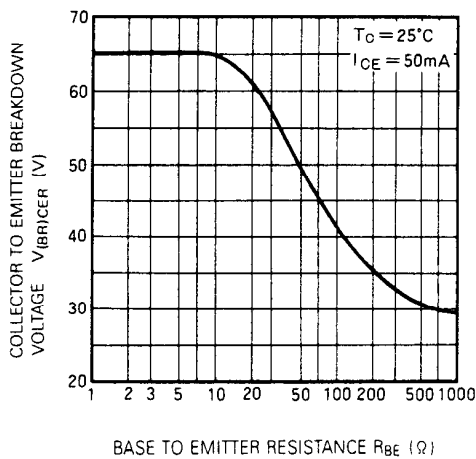
COLLECTOR DISSIPATION VS. AMBIENT TEMPERATURE



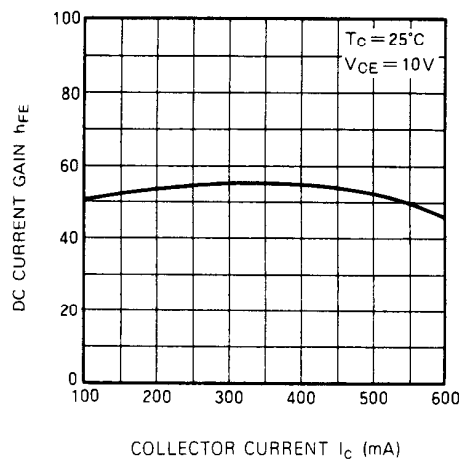
COLLECTOR CURRENT VS. COLLECTOR TO EMITTER VOLTAGE



COLLECTOR TO EMITTER BREAKDOWN VOLTAGE VS. BASE TO EMITTER RESISTANCE

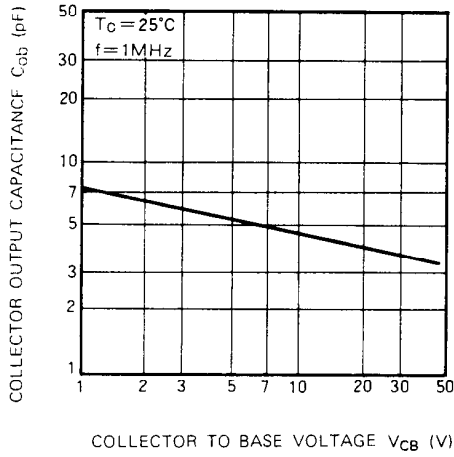


DC CURRENT GAIN VS. COLLECTOR CURRENT

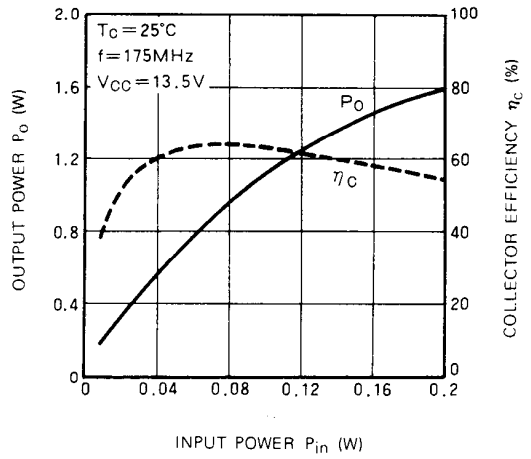


NPN EPITAXIAL PLANAR TYPE

COLLECTOR OUTPUT CAPACITANCE VS. COLLECTOR TO BASE VOLTAGE



OUTPUT POWER, COLLECTOR EFFICIENCY VS. INPUT POWER



OUTPUT POWER VS. COLLECTOR SUPPLY VOLTAGE

