

RF Components

Circulators/Isolators

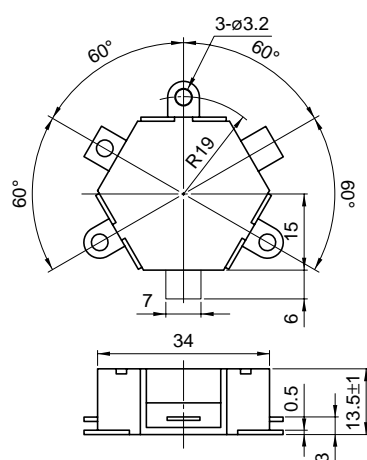
Hexalators

CU Series

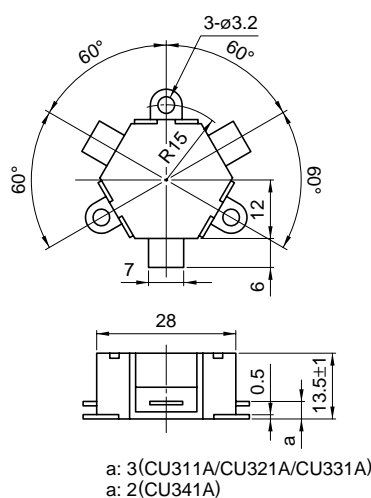
Hexalator is TDK trade name for a non-reciprocal device composed of microwave ferrites, mesh-like center conductors and magnet. Hexalators are produced in 7 models, each with its own tunable frequency band and power rating. TDK Hexalators are covered by U.S. Patent 3,621,476.

SHAPES AND DIMENSIONS

CU312A, CU322A



CU311A, CU321A, CU331A, CU341A



Dimensions in mm

ELECTRICAL CHARACTERISTICS

Part No.	Tunable frequency range (MHz)	Maximum handling power (W)	Isolation (dB)	Insertion loss (dB)	Weight (g)
CU311A	100 to 200	30	>20	<1	26
CU312A	100 to 200	50	>20	<1	44
CU321A	200 to 400	30	>20	<1	26
CU322A	200 to 400	50	>20	<1	44
CU331A	300 to 600	30	>20	<1	26
CU341A	450 to 800	30	>20	<1	26

- Operating temperature range: -20 to +80°C

