

**K9HAG08U1M
K9L8G08U0M K9MBG08U5M**

***Preliminary*
FLASH MEMORY**

K9XXG08UXM

INFORMATION IN THIS DOCUMENT IS PROVIDED IN RELATION TO SAMSUNG PRODUCTS, AND IS SUBJECT TO CHANGE WITHOUT NOTICE.

NOTHING IN THIS DOCUMENT SHALL BE CONSTRUED AS GRANTING ANY LICENSE, EXPRESS OR IMPLIED, BY ESTOPPEL OR OTHERWISE,

TO ANY INTELLECTUAL PROPERTY RIGHTS IN SAMSUNG PRODUCTS OR TECHNOLOGY. ALL INFORMATION IN THIS DOCUMENT IS PROVIDED

ON AS "AS IS" BASIS WITHOUT GUARANTEE OR WARRANTY OF ANY KIND.

1. For updates or additional information about Samsung products, contact your nearest Samsung office.
2. Samsung products are not intended for use in life support, critical care, medical, safety equipment, or similar applications where Product failure could result in loss of life or personal or physical harm, or any military or defense application, or any governmental procurement to which special terms or provisions may apply.

* Samsung Electronics reserves the right to change products or specification without notice.

**K9HAG08U1M
K9L8G08U0M K9MBG08U5M**

**Preliminary
FLASH MEMORY**

Document TitleD

1G x 8 Bit / 2G x 8 Bit / 4G x 8 Bit NAND Flash Memory

Revision History

<u>Revision No</u>	<u>History</u>	<u>Draft Date</u>	<u>Remark</u>
0.0	1. Initial issue	Mar. 1. 2005	Advance
0.1	1. Technical Note is changed	Apr. 1. 2005	Advance
0.2		May 3. 2005	Preliminary
0.3	1. Endurance is changed. (10K->1.5K)	June 29. 2005	Preliminary
0.4	1. 4bit/512Byte ECC->3bit/512Byte ECC 2. The number of bad block is changed from 160 to 100 for 8Gb DDP. 3. Note of program/erase characteristics is added.	July 7. 2005	Preliminary
0.5	1. tPROG 800μs(Typ.) -> 950μs(Typ.)	Aug. 22. 2005	Preliminary
0.6	1. AC Para. tRHW deleted 2. Retention 10 Year -> 5 Year	Aug. 29. 2005	Preliminary

The attached data sheets are prepared and approved by SAMSUNG Electronics. SAMSUNG Electronics CO., LTD. reserve the right to change the specifications. SAMSUNG Electronics will evaluate and reply to your requests and questions about device. If you have any questions, please contact the SAMSUNG branch office near your office.

K9HAG08U1M
K9L8G08U0M K9MBG08U5M
Preliminary
FLASH MEMORY
1G x 8 Bit / 2G x 8 Bit / 4G x 8 Bit NAND Flash Memory
PRODUCT LIST

Part Number	Vcc Range	Organization	PKG Type
K9L8G08U0M-Y,P	2.7V ~ 3.6V	X8	TSOP1
K9HAG08U1M-Y,P			
K9MBG08U5M-Y,P			TSOP1-DSP

FEATURES

- Voltage Supply : 2.7 V ~ 3.6 V
- Organization
 - Memory Cell Array : (1G+ 32M)bit x 8bit
 - Data Register : (2K + 64)bit x8bit
- Automatic Program and Erase
 - Page Program : (2K + 64)Byte
 - Block Erase : (256K + 8K)Byte
- Page Read Operation
 - Page Size : (2K + 64)Byte
 - Random Read : 50μs(Max.)
 - Serial Access : 30ns(Min.)
 - *K9MBG08U5M : 50ns(Min.)
- Memory Cell : 2bit / Memory Cell
- Fast Write Cycle Time
 - Program time : 950μs(Typ.)
 - Block Erase Time : 1.5ms(Typ.)
- Command/Address/Data Multiplexed I/O Port
- Hardware Data Protection
 - Program/Erase Lockout During Power Transitions
- Reliable CMOS Floating-Gate Technology
 - Endurance : 1.5K Program/Erase Cycles(with 3bit/512Byte ECC)
 - Data Retention : 5 Years
- Command Register Operation
- Unique ID for Copyright Protection
- Package :
 - K9L8G08U0M-YCB0/YIB0
48 - Pin TSOP I (12 x 20 / 0.5 mm pitch)
 - K9L8G08U0M-PCB0/PIB0 : Pb-FREE PACKAGE
48 - Pin TSOP I (12 x 20 / 0.5 mm pitch)
 - K9HAG08U1M-YCB0/YIB0 : Two K9L8G08U0M stacked
48 - Pin TSOP I (12 x 20 / 0.5 mm pitch)
 - K9HAG08U1M-PCB0/PIB0 : Pb-FREE PACKAGE
48 - Pin TSOP I (12 x 20 / 0.5 mm pitch)
 - K9MBG08U5M-YCB0/YIB0 : Two K9HAG08U0M package stacked
48 - Pin TSOP I (12 x 20 / 0.5 mm pitch)
 - K9MBG08U5M-PCB0/PIB0 : Pb-FREE PACKAGE
48 - Pin TSOP I (12 x 20 / 0.5 mm pitch)

GENERAL DESCRIPTION

Offered in 1Gx8bit, the K9L8G08U0M is a 8G-bit NAND Flash Memory with spare 256M-bit. Its NAND cell provides the most cost-effective solution for the solid state mass storage market. A program operation can be performed in typical 950μs on the 2,112-byte page and an erase operation can be performed in typical 1.5ms on a (256K+8K)byte block. Data in the data register can be read out at 30ns(K9MBG08U5M:50ns) cycle time per byte. The I/O pins serve as the ports for address and data input/output as well as command input. The on-chip write controller automates all program and erase functions including pulse repetition, where required, and internal verification and margining of data. Even the write-intensive systems can take advantage of the K9L8G08U0M's extended reliability of 1.5K program/erase cycles by providing ECC(Error Correcting Code) with real time mapping-out algorithm. The K9L8G08U0M is an optimum solution for large nonvolatile storage applications such as solid state file storage and other portable applications requiring non-volatility.

An ultra high density solution having two 8Gb stacked with two chip selects is also available in standard TSOP1 package and another ultra high density solution having two 16Gb TSOP1 package stacked with four chip selects is also available in TSOP1-DSP.

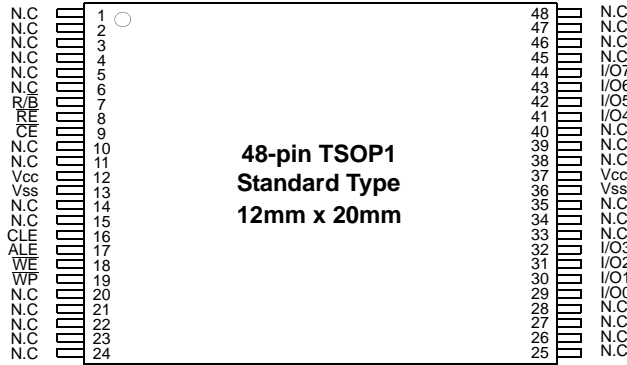


**K9HAG08U1M
K9L8G08U0M K9MBG08U5M**

**Preliminary
FLASH MEMORY**

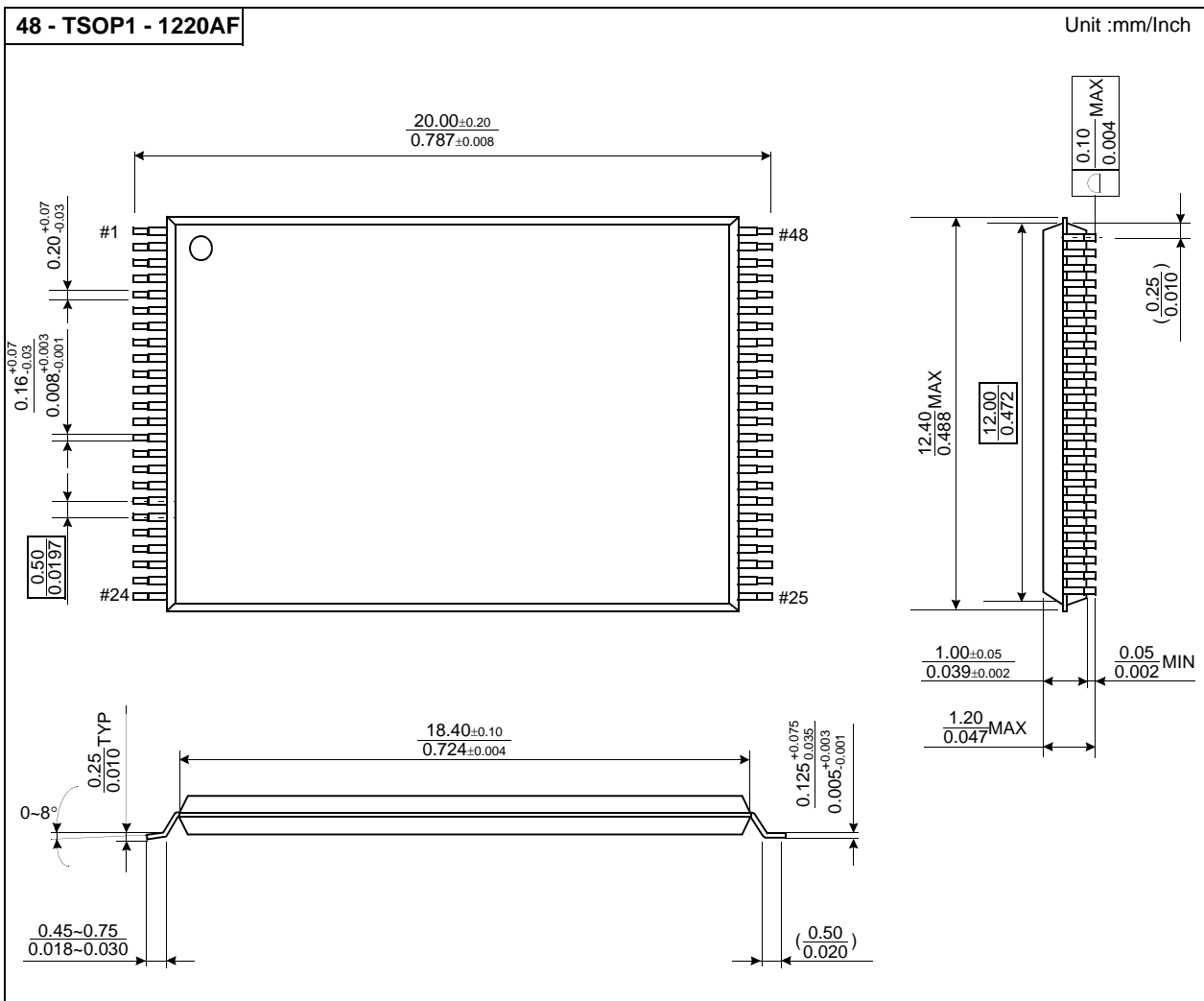
PIN CONFIGURATION (TSOP1)

K9L8G08U0M-YCB0,PCB0,YIB0,PIB0



PACKAGE DIMENSIONS

48-PIN LEAD/LEAD FREE PLASTIC THIN SMALL OUT-LINE PACKAGE TYPE(I)

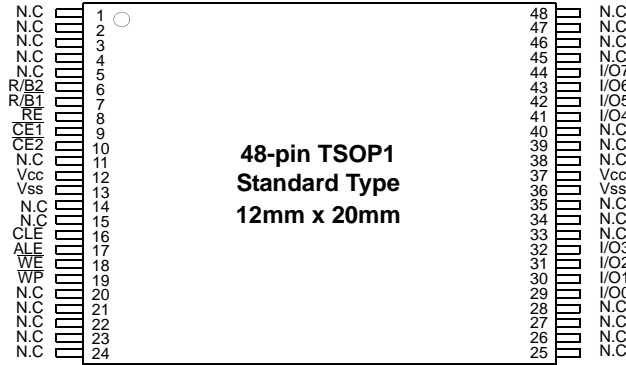


**K9HAG08U1M
K9L8G08U0M K9MBG08U5M**

**Preliminary
FLASH MEMORY**

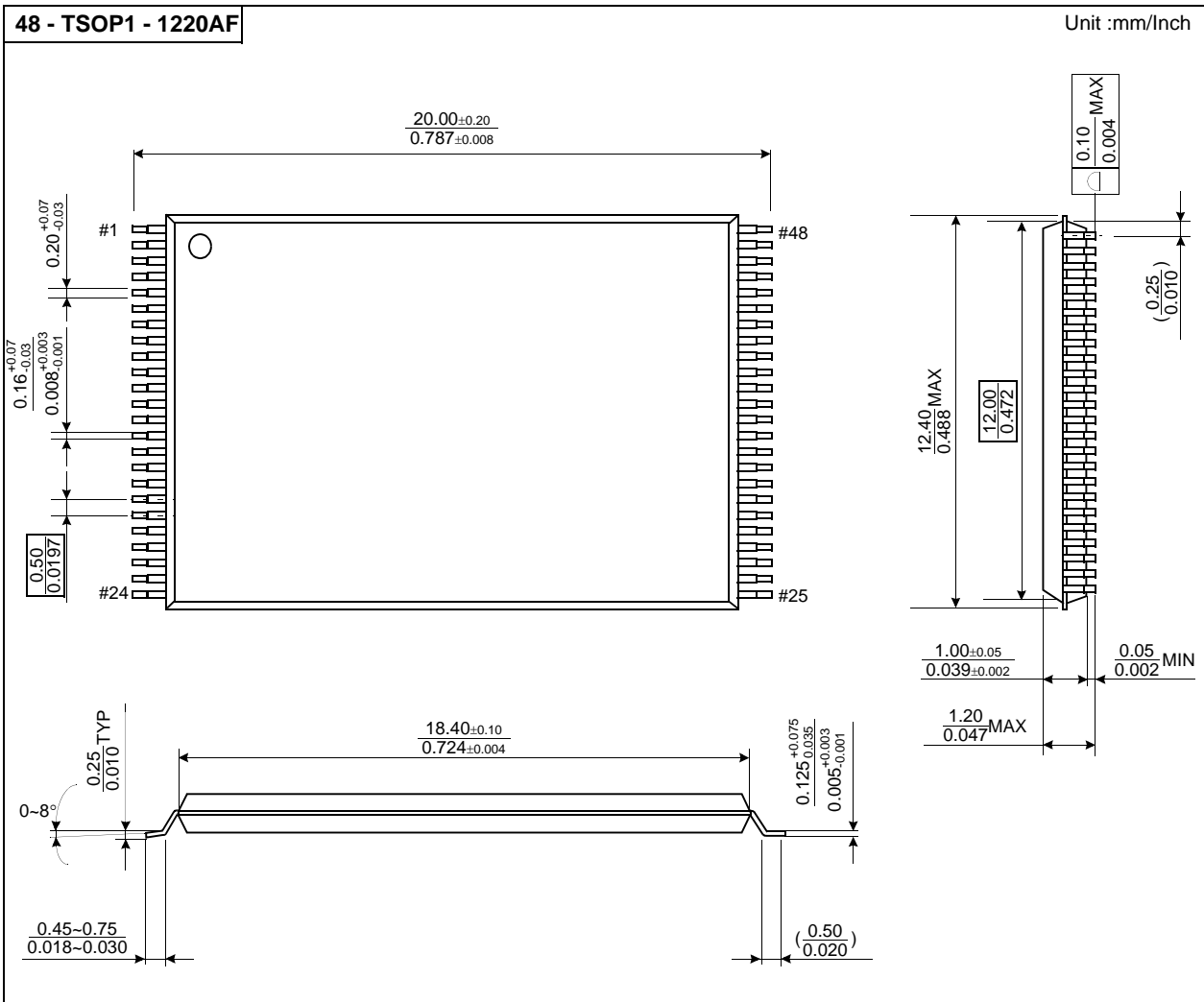
PIN CONFIGURATION (TSOP1)

K9HAG08U1M-YCB0,PCB0/YIB0,PIB0



PACKAGE DIMENSIONS

48-PIN LEAD/LEAD FREE PLASTIC THIN SMALL OUT-LINE PACKAGE TYPE(I)

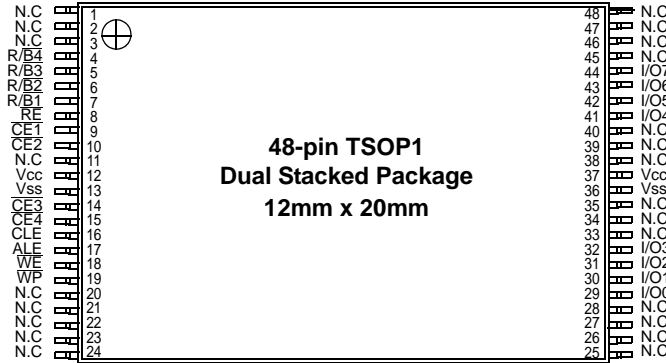


**K9HAG08U1M
K9L8G08U0M K9MBG08U5M**

**Preliminary
FLASH MEMORY**

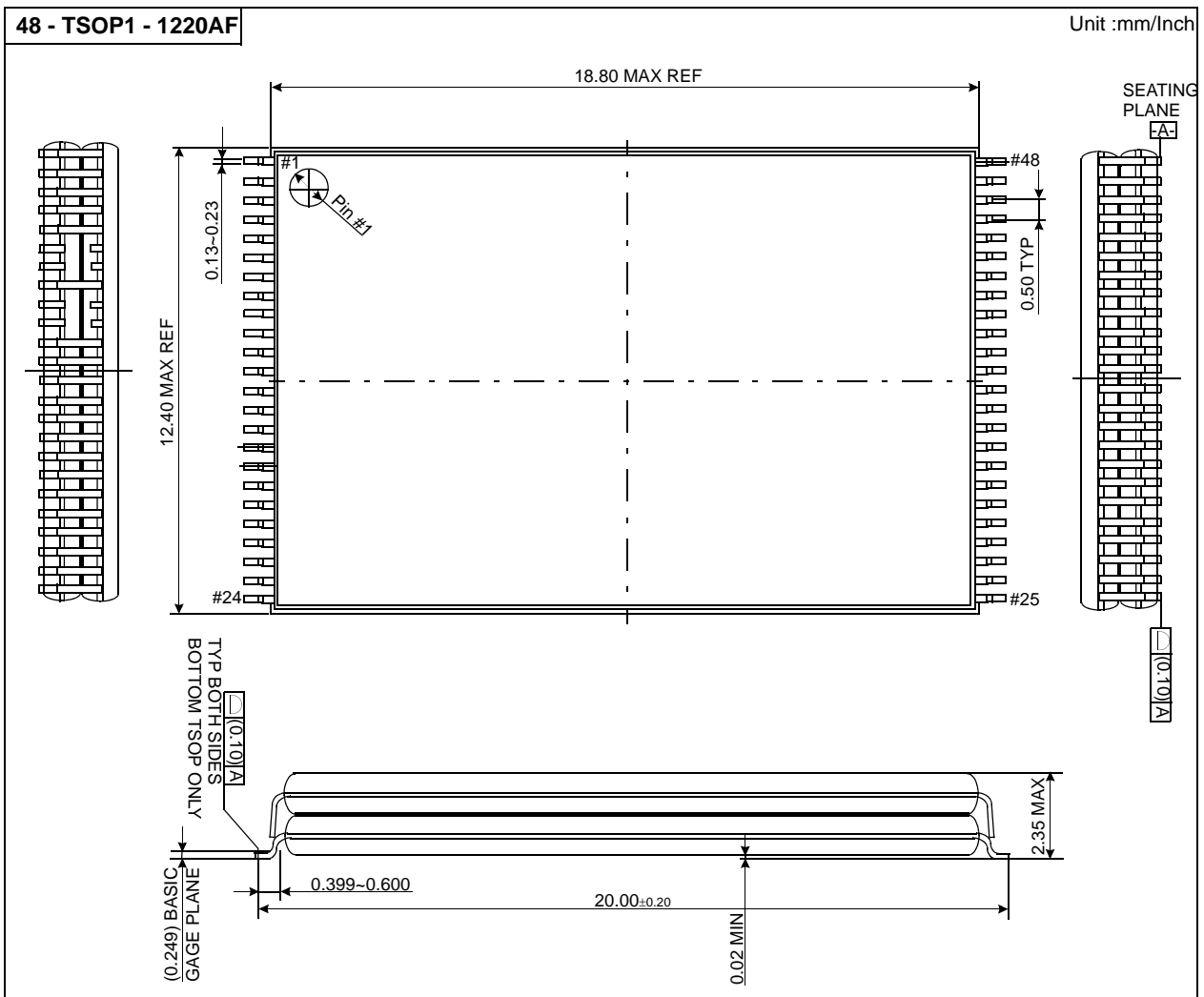
PIN CONFIGURATION (TSOP1-DSP)

K9MBG08U5M-YCB0,PCB0/YIB0,PIB0



PACKAGE DIMENSIONS

48-PIN LEAD/LEAD FREE PLASTIC THIN SMALL OUT-LINE PACKAGE TYPE(I)



K9HAG08U1M
K9L8G08U0M K9MBG08U5M
Preliminary
FLASH MEMORY
PIN DESCRIPTION

Pin Name	Pin Function
I/O ₀ ~ I/O ₇	DATA INPUTS/OUTPUTS The I/O pins are used to input command, address and data, and to output data during read operations. The I/O pins float to high-z when the chip is deselected or when the outputs are disabled.
CLE	COMMAND LATCH ENABLE The CLE input controls the activating path for commands sent to the command register. When active high, commands are latched into the command register through the I/O ports on the rising edge of the \overline{WE} signal.
ALE	ADDRESS LATCH ENABLE The ALE input controls the activating path for address to the internal address registers. Addresses are latched on the rising edge of \overline{WE} with ALE high.
\overline{CE}	CHIP ENABLE The \overline{CE} input is the device selection control. When the device is in the Busy state, \overline{CE} high is ignored, and the device does not return to standby mode in program or erase operation. Regarding \overline{CE} control during read operation, refer to 'Page read' section of Device operation.
\overline{RE}	READ ENABLE The \overline{RE} input is the serial data-out control, and when active drives the data onto the I/O bus. Data is valid tREA after the falling edge of \overline{RE} which also increments the internal column address counter by one.
\overline{WE}	WRITE ENABLE The \overline{WE} input controls writes to the I/O port. Commands, address and data are latched on the rising edge of the \overline{WE} pulse.
\overline{WP}	WRITE PROTECT The \overline{WP} pin provides inadvertent write/erase protection during power transitions. The internal high voltage generator is reset when the \overline{WP} pin is active low.
R/ \overline{B}	READY/BUSY OUTPUT The R/ \overline{B} output indicates the status of the device operation. When low, it indicates that a program, erase or random read operation is in process and returns to high state upon completion. It is an open drain output and does not float to high-z condition when the chip is deselected or when outputs are disabled.
Vcc	POWER Vcc is the power supply for device.
Vss	GROUND
N.C	NO CONNECTION Lead is not internally connected.

NOTE : Connect all Vcc and Vss pins of each device to common power supply outputs.
Do not leave Vcc or Vss disconnected.

There are two \overline{CE} pins ($\overline{CE1}$ & $\overline{CE2}$) in the K9HAG08U1M and four \overline{CE} pins ($\overline{CE1}$ & $\overline{CE2}$ & $\overline{CE3}$ & $\overline{CE4}$) in the K9MBG08U5M.

There are two R/ \overline{B} pins (R/ $\overline{B1}$ & R/ $\overline{B2}$) in the K9HAG08U1M and four R/ \overline{B} pins (R/ $\overline{B1}$ & R/ $\overline{B2}$ & R/ $\overline{B3}$ & R/ $\overline{B4}$) in the K9MBG08U5M.



**K9HAG08U1M
K9L8G08U0M K9MBG08U5M**

**Preliminary
FLASH MEMORY**

Figure 1. K9L8G08U0M Functional Block Diagram

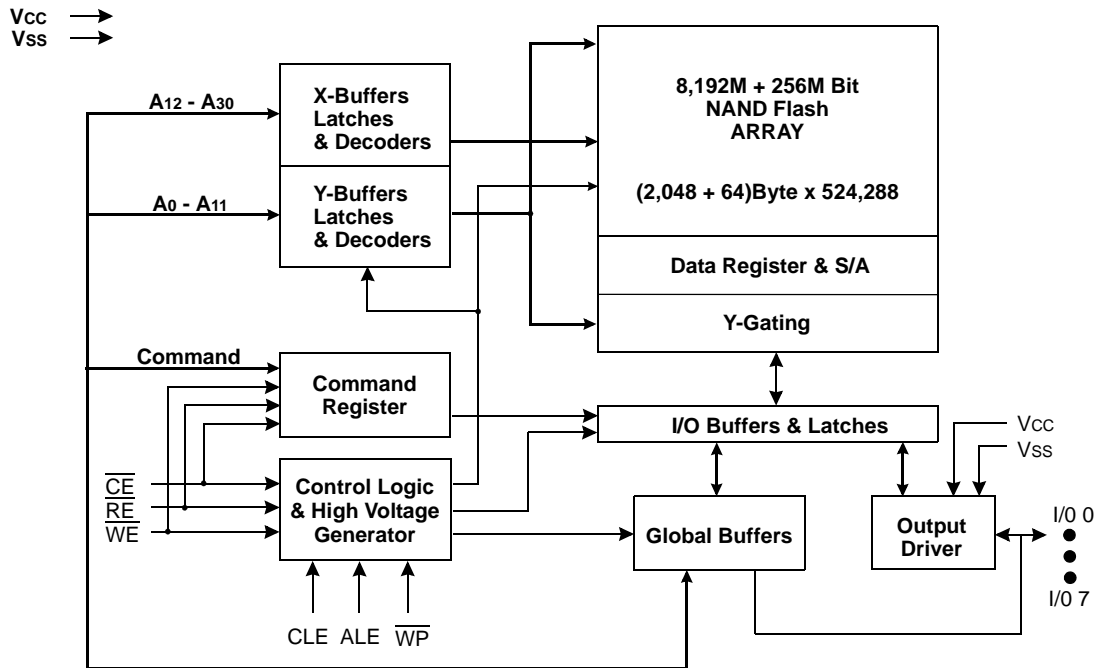
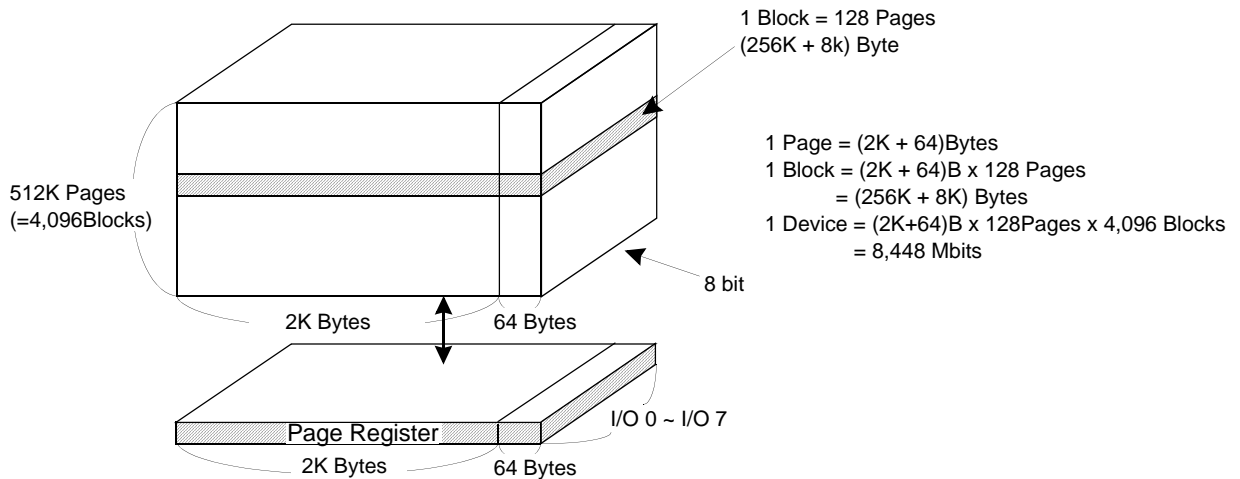


Figure 2. K9L8G08U0M Array Organization



	I/O 0	I/O 1	I/O 2	I/O 3	I/O 4	I/O 5	I/O 6	I/O 7	
1st Cycle	A ₀	A ₁	A ₂	A ₃	A ₄	A ₅	A ₆	A ₇	Column Address
2nd Cycle	A ₈	A ₉	A ₁₀	A ₁₁	*L	*L	*L	*L	Column Address
3rd Cycle	A ₁₂	A ₁₃	A ₁₄	A ₁₅	A ₁₆	A ₁₇	A ₁₈	A ₁₉	Row Address
4th Cycle	A ₂₀	A ₂₁	A ₂₂	A ₂₃	A ₂₄	A ₂₅	A ₂₆	A ₂₇	Row Address
5th Cycle	A ₂₈	A ₂₉	A ₃₀	*L	*L	*L	*L	*L	Row Address

NOTE : Column Address : Starting Address of the Register.

* L must be set to "Low".

* The device ignores any additional input of address cycles than required.

K9HAG08U1M K9L8G08U0M K9MBG08U5M

Preliminary FLASH MEMORY

Product Introduction

The K9L8G08U0M is a 8,448Mbit(8,858,370,048 bit) memory organized as 524,288 rows(pages) by 2,112x8 columns. Spare 64 columns are located from column address of 2,048~2,111. A 2,112-byte data register is connected to memory cell arrays for accommodating data transfer between the I/O buffers and memory cells during page read and page program operations. The memory array is made up of 32 cells that are serially connected to form a NAND structure. Each of the 32 cells resides in a different page. A block consists of two NAND structured strings. A NAND structure consists of 32 cells. A cell has 2-bit data. Total 1,081,344 NAND cells reside in a block. The program and read operations are executed on a page basis, while the erase operation is executed on a block basis. The memory array consists of 4,096 separately erasable 256K-byte blocks. It indicates that the bit by bit erase operation is prohibited on the K9L8G08U0M.

The K9L8G08U0M has addresses multiplexed into 8 I/Os. This scheme dramatically reduces pin counts and allows system upgrades to future densities by maintaining consistency in system board design. Command, address and data are all written through I/O's by bringing \overline{WE} to low while \overline{CE} is low. Those are latched on the rising edge of \overline{WE} . Command Latch Enable(CLE) and Address Latch Enable(ALE) are used to multiplex command and address respectively, via the I/O pins. Some commands require one bus cycle. For example, Reset Command, Status Read Command, etc require just one cycle bus. Some other commands, like page read and block erase and page program, require two cycles: one cycle for setup and the other cycle for execution. The 1G-byte physical space requires 30 addresses, thereby requiring five cycles for addressing : 2 cycles of column address, 3 cycles of row address, in that order. Page Read and Page Program need the same five address cycles following the required command input. In Block Erase operation, however, only three row address cycles are used. Device operations are selected by writing specific commands into the command register. Table 1 defines the specific commands of the K9L8G08U0M.

The K9HAG08U1M is composed of two K9L8G08U0M chips which are selected separately by each $\overline{CE1}$ and $\overline{CE2}$ and the K9MBG08U5M is composed of four K9L8G08U0M chips which are selected separately by each $\overline{CE1}$, $\overline{CE2}$, $\overline{CE3}$ and $\overline{CE4}$. Therefore, in terms of each \overline{CE} , the basic operations of K9HAG08U0M and K9MBG08U5M are same with K9L8G08U0M except some AC/DC characteristics.

Table 1. Command Sets

Function	1st Cycle	2nd Cycle	Acceptable Command during Busy
Read	00h	30h	
Read ID	90h	-	
Reset	FFh	-	O
Page Program	80h	10h	
Two-Plane Page Program ⁽²⁾	80h----11h	81h----10h	
Block Erase	60h	D0h	
Two-Plane Block Erase	60h----60h	D0h	
Random Data Input ⁽¹⁾	85h	-	
Random Data Output ⁽¹⁾	05h	E0h	
Read Status	70h		O
Chip1 Status ⁽³⁾	F1h		O
Chip2 Status ⁽³⁾	F2h		O

NOTE : 1. Random Data Input/Output can be executed in a page.

2. Any command between 11h and 81h is prohibited except 70h, F1h, F2h and FFh.

3. Interleave-operation between two chips is allowed.

It's prohibited to use F1h and F2h commands for other operations except interleave-operation.

Caution : Any undefined command inputs are prohibited except for above command set of Table 1.

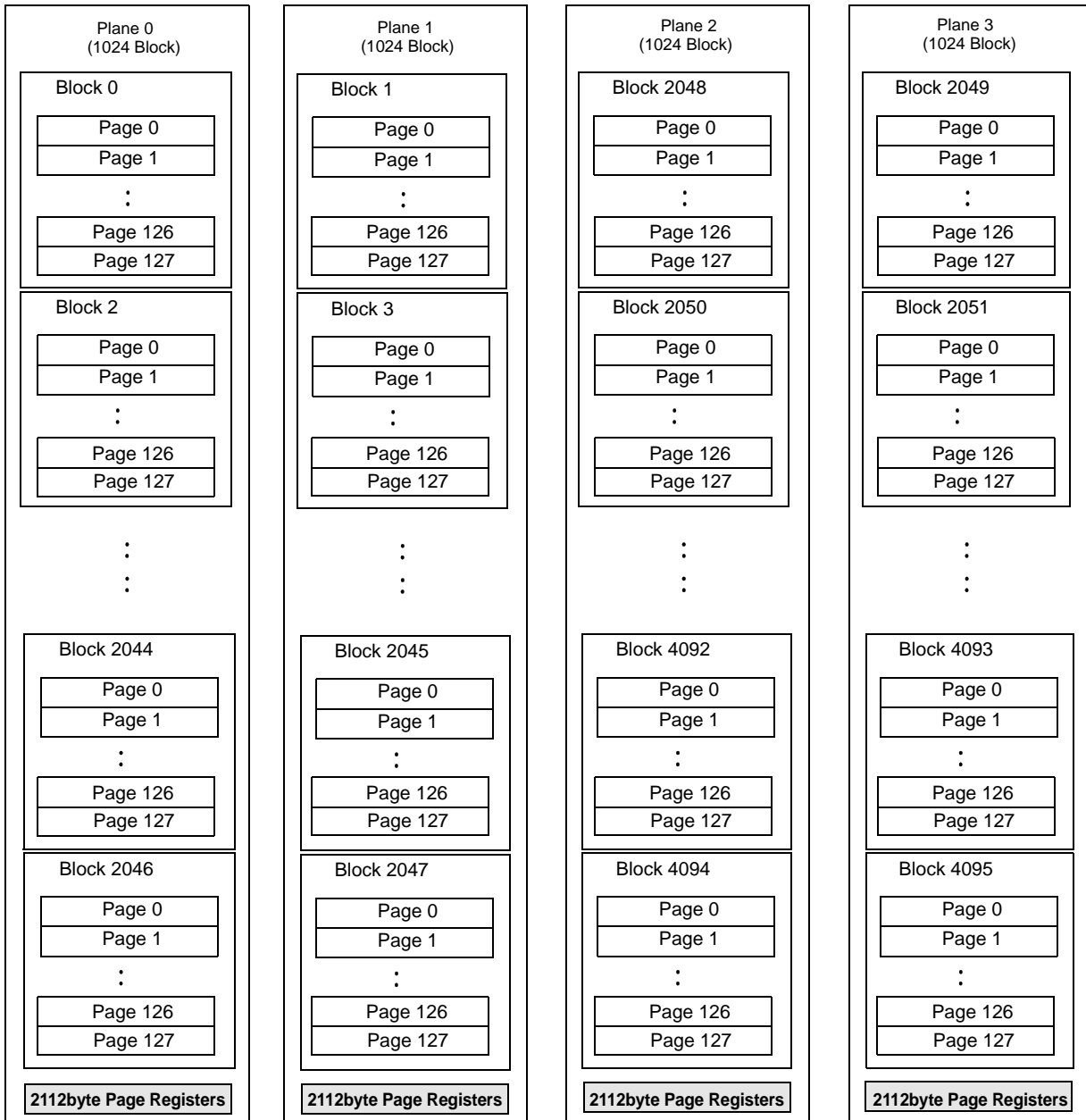
**K9HAG08U1M
K9L8G08U0M K9MBG08U5M**

**Preliminary
FLASH MEMORY**

Memory Map

K9L8G08U0M is arranged in four 2Gb memory planes. Each plane contains 1,024 blocks and 2112 byte page registers. This allows it to perform simultaneous page program and block erase by selecting one page or block from each plane. The block address map is configured so that two-plane program/erase operations can be executed by dividing the memory array into plane 0~1 or plane 2~3 separately.

For example, two-plane program/erase operation into plane 0 and plane 2 is prohibited. that is to say, two-plane program/erase operation into plane 0 and plane 1 or into plane 2 and plane 3 is allowed



K9HAG08U1M
K9L8G08U0M K9MBG08U5M
Preliminary
FLASH MEMORY
ABSOLUTE MAXIMUM RATINGS

Parameter		Symbol	Rating	Unit
Voltage on any pin relative to Vss		Vcc	-0.6 to + 4.6	V
		VIN	-0.6 to + 4.6	
		VIO	-0.6 to Vcc+0.3 (<4.6V)	
Temperature Under Bias	K9XXG08UXM-XCB0	TBIAS	-10 to +125	°C
	K9XXG08UXM-XIB0		-40 to +125	
Storage Temperature	K9XXG08UXM-XCB0	TSTG	-65 to +150	°C
	K9XXG08UXM-XIB0			
Short Circuit Current		Ios	5	mA

NOTE :

- Minimum DC voltage is -0.6V on input/output pins. During transitions, this level may undershoot to -2.0V for periods <30ns. Maximum DC voltage on input/output pins is Vcc+0.3V which, during transitions, may overshoot to Vcc+2.0V for periods <20ns.
- Permanent device damage may occur if ABSOLUTE MAXIMUM RATINGS are exceeded. Functional operation should be restricted to the conditions as detailed in the operational sections of this data sheet. Exposure to absolute maximum rating conditions for extended periods may affect reliability.

RECOMMENDED OPERATING CONDITIONS

(Voltage reference to GND, K9XXG08UXM-XCB0 :TA=0 to 70°C, K9XXG08UXM-XIB0:TA=-40 to 85°C)

Parameter	Symbol	Min	Typ.	Max	Unit
Supply Voltage	Vcc	2.7	3.3	3.6	V
Supply Voltage	Vss	0	0	0	V

DC AND OPERATING CHARACTERISTICS(Recommended operating conditions otherwise noted.)

Parameter		Symbol	Test Conditions	Min	Typ	Max	Unit
Operating Current	Page Read with Serial Access	Icc1	tRC=30ns, $\overline{CE}=V_{IL}$, IOUT=0mA	-	15	30	mA
	Program	Icc2	-	-	15	30	
	Erase	Icc3	-	-	15	30	
Stand-by Current(TTL)		ISB1	$\overline{CE}=V_{IH}$, $\overline{WP}=0V/V_{CC}$	-	-	1	μA
Stand-by Current(CMOS)		ISB2	$\overline{CE}=V_{CC}-0.2$, $\overline{WP}=0V/V_{CC}$	-	20	100	
Input Leakage Current		ILI	VIN=0 to Vcc(max)	-	-	±20	
Output Leakage Current		ILO	VOUT=0 to Vcc(max)	-	-	±20	V
Input High Voltage		VIH ⁽¹⁾	-	0.8 x Vcc	-	Vcc+0.3	
Input Low Voltage, All inputs		VIL ⁽¹⁾	-	-0.3	-	0.2 x Vcc	
Output High Voltage Level		VOH	I _{OH} =-400μA	2.4	-	-	
Output Low Voltage Level		VOL	I _{OL} =2.1mA	-	-	0.4	
Output Low Current(R/B)		IOL(R/B)	VOL=0.4V	8	10	-	mA

NOTE :

- VIL can undershoot to -0.4V and VIH can overshoot to VCC + 0.4V for durations of 20 ns or less.
- Typical value are measured at Vcc=3.3V, TA=25°C. Not 100% tested.
- The typical value of the K9HAG08U1M's ISB2 is 40μA and the maximum value is 200μA.
- The typical value of the K9MBG08U5M's ISB2 is 80μA and the maximum value is 400μA.
- The maximum value of K9HAG08U1M's ILI and ILO is ±40μA.
- The maximum value of K9MBG08U5M's ILI and ILO is ±80μA.

K9HAG08U1M
K9L8G08U0M K9MBG08U5M
Preliminary
FLASH MEMORY
VALID BLOCK

Parameter	Symbol	Min	Typ.	Max	Unit
K9L8G08U0M	NvB	3,996	-	4,096	Blocks
K9HAG08U1M	NvB	7,992	-	8,192	Blocks
K9MBG08U5M	NvB	15,984	-	16,384	Blocks

NOTE :

- The device may include initial invalid blocks when first shipped. Additional invalid blocks may develop while being used. The number of valid blocks is presented with both cases of invalid blocks considered. Invalid blocks are defined as blocks that contain one or more bad bits. Do not erase or program factory-marked bad blocks. Refer to the attached technical notes for appropriate management of invalid blocks.
 - The 1st block, which is placed on 00h block address, is guaranteed to be a valid block at the time of shipment
 - The number of valid block is on the basis of single plane operations, and this may be decreased with two plane operations.
- * : Each K9L8G08U0M chip in the K9HAG08U1M and K9MBG08U5M has Maximum 100 invalid blocks.

AC TEST CONDITION

(K9XXG08UXM-XCB0:TA=0 to 70°C, K9XXG08UXM-XIB0:TA=-40 to 85°C, K9XXG08UXM: Vcc=2.7V~3.6V unless otherwise noted)

Parameter	K9XXG08UXM
Input Pulse Levels	0V to Vcc
Input Rise and Fall Times	5ns
Input and Output Timing Levels	Vcc/2
Output Load	1 TTL GATE and CL=50pF (K9L8G08U0M-Y,P)
	1 TTL GATE and CL=30pF (K9HAG08U1M-Y,P)
	1 TTL GATE and CL=30pF (K9MBG08U5M-Y,P)

CAPACITANCE(TA=25°C, Vcc=3.3V, f=1.0MHz)

Item	Symbol	Test Condition	Min	Max			Unit
				K9L8G08U0M	K9HAG08U1M	K9MBG08U5M	
Input/Output Capacitance	C _{I/O}	V _{IL} =0V	-	20	40	80	pF
Input Capacitance	C _{IN}	V _{IN} =0V	-	20	40	80	pF

NOTE : Capacitance is periodically sampled and not 100% tested.

MODE SELECTION

CLE	ALE	$\overline{\text{CE}}$	$\overline{\text{WE}}$	$\overline{\text{RE}}$	$\overline{\text{WP}}$	Mode	
H	L	L		H	X	Read Mode	Command Input
L	H	L		H	X		Address Input(5clock)
H	L	L		H	H	Write Mode	Command Input
L	H	L		H	H		Address Input(5clock)
L	L	L		H	H	Data Input	
L	L	L	H		X	Data Output	
X	X	X	X	H	X	During Read(Busy)	
X	X	X	X	X	H	During Program(Busy)	
X	X	X	X	X	H	During Erase(Busy)	
X	X ⁽¹⁾	X	X	X	L	Write Protect	
X	X	H	X	X	0V/Vcc ⁽²⁾	Stand-by	

NOTE : 1. X can be V_{IL} or V_{IH}.

2. $\overline{\text{WP}}$ should be biased to CMOS high or CMOS low for standby.

K9HAG08U1M
K9L8G08U0M K9MBG08U5M
Preliminary
FLASH MEMORY
Program / Erase Characteristics

Parameter	Symbol	Min	Typ	Max	Unit
Program Time	tPROG	-	0.95	2	ms
Dummy Busy Time for Multi Plane Program	tdBSY	-	0.5	1	μs
Number of Partial Program Cycles	Nop	-	-	1	cycle
Block Erase Time	tBERS	-	1.5	10	ms

NOTE

1. Typical value is measured at Vcc=3.3V, TA=25°C. Not 100% tested.
2. Typical Program time is defined as the time within which more than 50% of the whole pages are programmed at 3.3V Vcc and 25°C temperature.
3. Within a block, program time(tPROG) of page group A is faster than that of page group B. Typical tPROG is the average program time of two pages of a sampled block each from page group A and group B.

Page Group A: Page 0, Page 1, Page 4, Page 5, ... , Page 120, Page 121, Page 124, Page 125

Page Group B: Page 2, Page 3, Page 6, Page 7, ... , Page 122, Page 123, Page 126, Page 127

AC Timing Characteristics for Command / Address / Data Input

Parameter	Symbol	Min		Max		Unit
		K9MBG08U5M	K9L8G08U0M	K9MBG08U5M	K9L8G08U0M	
			K9HAG08U1M		K9HAG08U1M	
CLE Setup Time	tCLS ⁽¹⁾	25	15	-	-	ns
CLE Hold Time	tCLH	10	5	-	-	ns
$\overline{\text{CE}}$ Setup Time	tCS ⁽¹⁾	35	20	-	-	ns
$\overline{\text{CE}}$ Hold Time	tCH	10	5	-	-	ns
$\overline{\text{WE}}$ Pulse Width	tWP	25	15	-	-	ns
ALE Setup Time	tALS ⁽¹⁾	25	15	-	-	ns
ALE Hold Time	tALH	10	5	-	-	ns
Data Setup Time	tDS ⁽¹⁾	20	15	-	-	ns
Data Hold Time	tDH	10	5	-	-	ns
Write Cycle Time	tWC	45	30	-	-	ns
$\overline{\text{WE}}$ High Hold Time	tWH	15	10	-	-	ns
Address to Data Loading Time	tADL ⁽²⁾	70	70	-	-	ns

NOTES : 1. The transition of the corresponding control pins must occur only once while $\overline{\text{WE}}$ is held low.

2. tADL is the time from the $\overline{\text{WE}}$ rising edge of final address cycle to the $\overline{\text{WE}}$ rising edge of first data cycle.

K9HAG08U1M
K9L8G08U0M K9MBG08U5M
Preliminary
FLASH MEMORY
AC Characteristics for Operation

Parameter	Symbol	Min		Max		Unit
		K9MBG08U5M	K9L8G08U0M	K9MBG08U5M	K9L8G08U0M	
			K9HAG08U1M		K9HAG08U1M	
Data Transfer from Cell to Register	t _R		-	50	50	μs
ALE to \overline{RE} Delay	t _{AR}	10	10		-	ns
CLE to \overline{RE} Delay	t _{CLR}	10	10		-	ns
Ready to \overline{RE} Low	t _{RR}	20	20		-	ns
\overline{RE} Pulse Width	t _{RP}	25	15		-	ns
\overline{WE} High to Busy	t _{WB}	-	-	100	100	ns
Read Cycle Time	t _{RC}	50	30	-	-	ns
\overline{RE} Access Time	t _{REA}	-	-	30	20	ns
\overline{CE} Access Time	t _{CEA}	-	-	45	25	ns
\overline{RE} High to Output Hi-Z	t _{RHZ}	-	-	100	100	ns
\overline{CE} High to Output Hi-Z	t _{CHZ}	-	-	30	30	ns
\overline{RE} High to Output Hold	t _{RHOH}	15	15	-	-	ns
\overline{RE} Low to Output Hold	t _{LROH}	-	5	-	-	ns
\overline{CE} High to Output Hold	t _{COH}	15	15	-	-	ns
\overline{RE} High Hold Time	t _{REH}	15	10	-	-	ns
Output Hi-Z to \overline{RE} Low	t _{IR}	0	0	-	-	ns
\overline{WE} High to \overline{RE} Low	t _{WHR}	60	60	-	-	ns
Device Resetting Time(Read/Program/Erase)	t _{RST}	-	-	5/10/500 ⁽¹⁾	5/10/500 ⁽¹⁾	μs

NOTE: 1. If reset command(FFh) is written at Ready state, the device goes into Busy for maximum 5μs.

NAND Flash Technical Notes

Initial Invalid Block(s)

Initial invalid blocks are defined as blocks that contain one or more initial invalid bits whose reliability is not guaranteed by Samsung. The information regarding the initial invalid block(s) is called the initial invalid block information. Devices with initial invalid block(s) have the same quality level as devices with all valid blocks and have the same AC and DC characteristics. An initial invalid block(s) does not affect the performance of valid block(s) because it is isolated from the bit line and the common source line by a select transistor. The system design must be able to mask out the initial invalid block(s) via address mapping. The 1st block, which is placed on 00h block address, is guaranteed to be a valid block at the time of shipment.

Identifying Initial Invalid Block(s)

All device locations are erased(FFh) except locations where the initial invalid block(s) information is written prior to shipping. The initial invalid block(s) status is defined by the 1st byte in the spare area. Samsung makes sure that the last page of every initial invalid block has non-FFh data at the column address of 2,048. The initial invalid block information is also erasable in most cases, and it is impossible to recover the information once it has been erased. Therefore, the system must be able to recognize the initial invalid block(s) based on the initial invalid block information and create the initial invalid block table via the following suggested flow chart(Figure 3). Any intentional erasure of the initial invalid block information is prohibited.

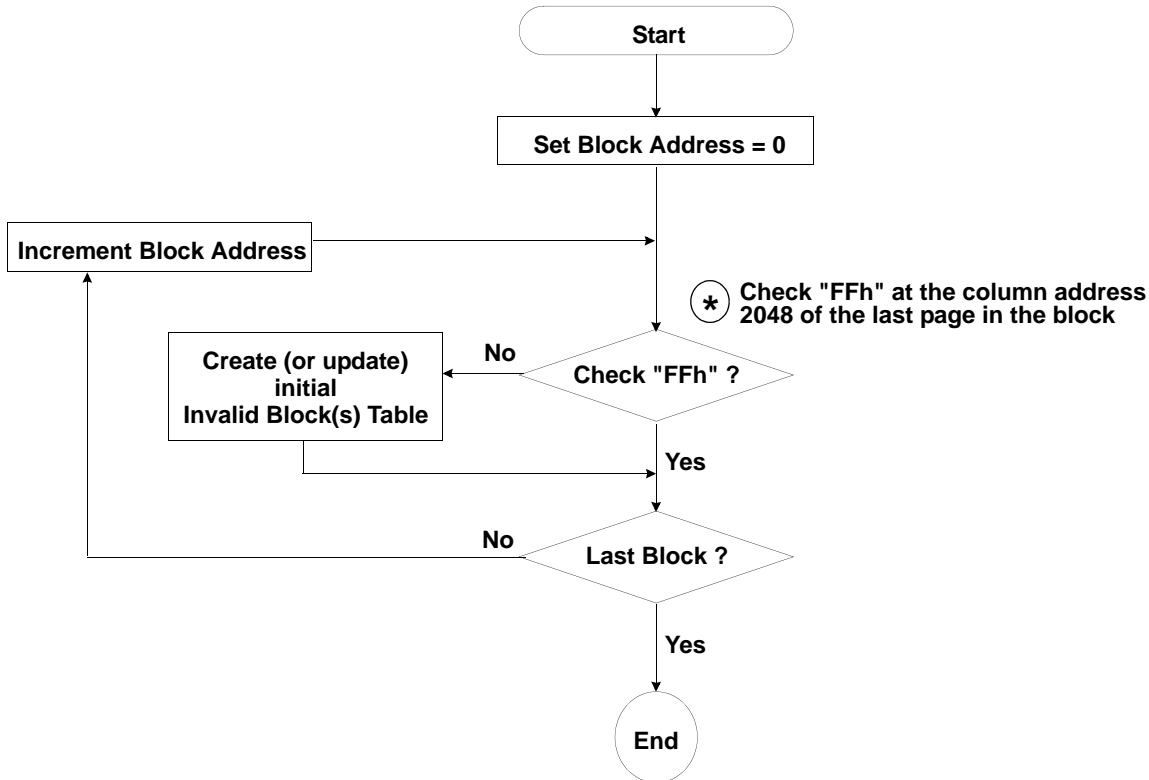


Figure 3. Flow chart to create initial invalid block table.

**K9HAG08U1M
K9L8G08U0M K9MBG08U5M**

**Preliminary
FLASH MEMORY**

NAND Flash Technical Notes (Continued)

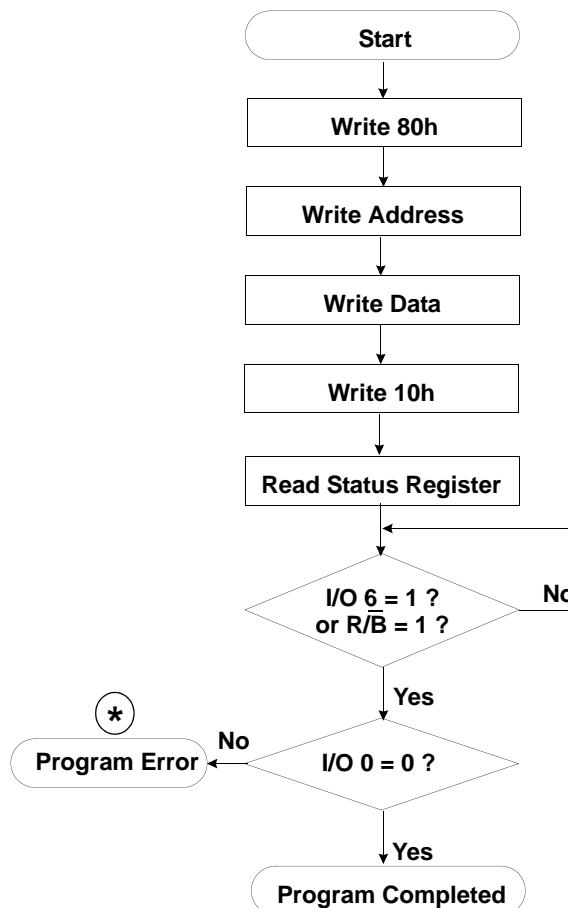
Error in write or read operation

Within its life time, additional invalid blocks may develop with NAND Flash memory. Refer to the qualification report for the actual data. Block replacement should be done upon erase or program error.

Failure Mode		Detection and Countermeasure sequence
Write	Erase Failure	Status Read after Erase --> Block Replacement
	Program Failure	Status Read after Program --> Block Replacement
Read	Up to Four Bit Failure	Verify ECC -> ECC Correction

ECC : Error Correcting Code --> RS Code etc.
Example) 3bit correction / 512-byte

Program Flow Chart



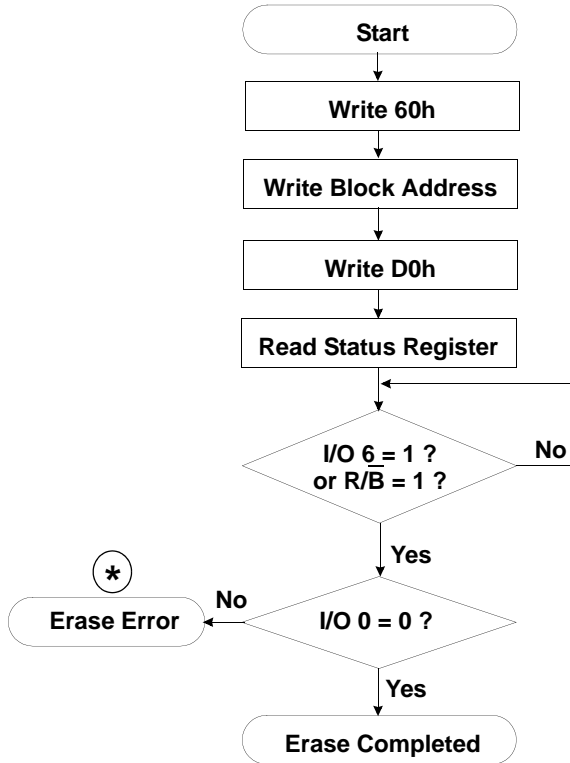
***** : If program operation results in an error, map out the block including the page in error and copy the target data to another block.

**K9HAG08U1M
K9L8G08U0M K9MBG08U5M**

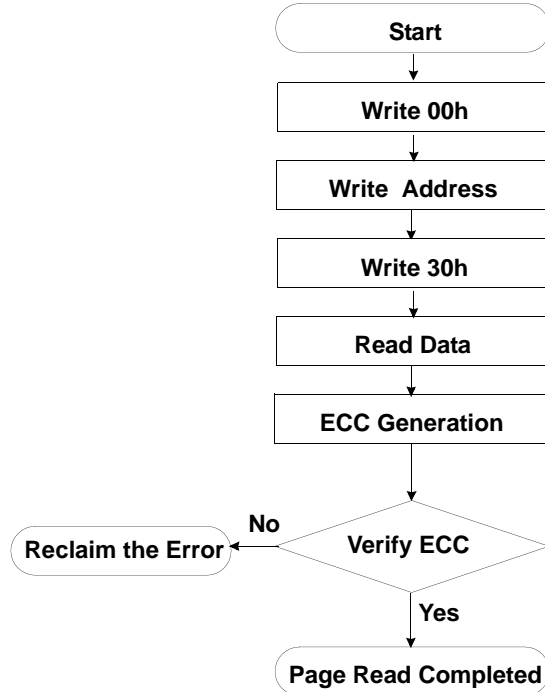
**Preliminary
FLASH MEMORY**

NAND Flash Technical Notes (Continued)

Erase Flow Chart

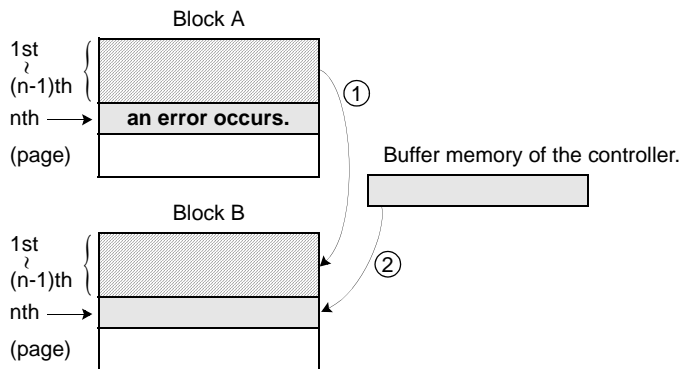


Read Flow Chart



***** : If erase operation results in an error, map out the failing block and replace it with another block.

Block Replacement



- * Step1
When an error happens in the nth page of the Block 'A' during erase or program operation.
- * Step2
Copy the data in the 1st ~ (n-1)th page to the same location of another free block. (Block 'B')
- * Step3
Then, copy the nth page data of the Block 'A' in the buffer memory to the nth page of the Block 'B'.
- * Step4
Do not erase or program to Block 'A' by creating an 'invalid block' table or other appropriate scheme.

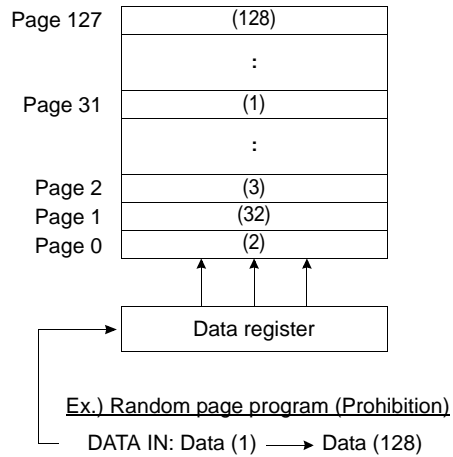
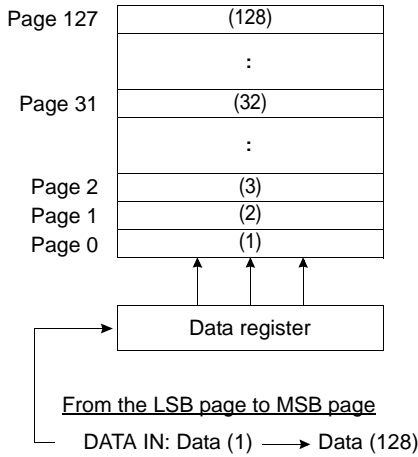
**K9HAG08U1M
K9L8G08U0M K9MBG08U5M**

**Preliminary
FLASH MEMORY**

NAND Flash Technical Notes (Continued)

Addressing for program operation

Within a block, the pages must be programmed consecutively from the LSB (least significant bit) page of the block to MSB (most significant bit) pages of the block. Random page address programming is prohibited.



Interleave Page Program

K9L8G08U0M is composed of two K9G4G08U0Ms. K9L8G08U0M provides interleaving operation between two K9G4G08U0Ms.

This interleaving page program improves the system throughput almost twice compared to non-interleaving page program.

At first, the host issues page program command to one of the K9G4G08U0M chips, say K9G4G08U0M(chip #1). Due to this K9L8G08U0M goes into busy state. During this time, K9G4G08U0M(chip #2) is in ready state. So it can execute the page program command issued by the host.

After the execution of page program by K9G4G08U0M(chip #1), it can execute another page program regardless of the K9G4G08U0M(chip #2). Before that the host needs to check the status of K9G4G08U0M(chip #1) by issuing F1h command. Only when the status of K9G4G08U0M(chip #1) becomes ready status, host can issue another page program command. If the K9G4G08U0M(chip #1) is in busy state, the host has to wait for the K9G4G08U0M(chip #1) to get into ready state.

Similarly, K9G4G08U0M(chip #2) can execute another page program after the completion of the previous program. The host can monitor the status of K9G4G08U0M(chip #2) by issuing F2h command. When the K9G4G08U0M(chip #2) shows ready state, host can issue another page program command to K9G4G08U0M(chip #2).

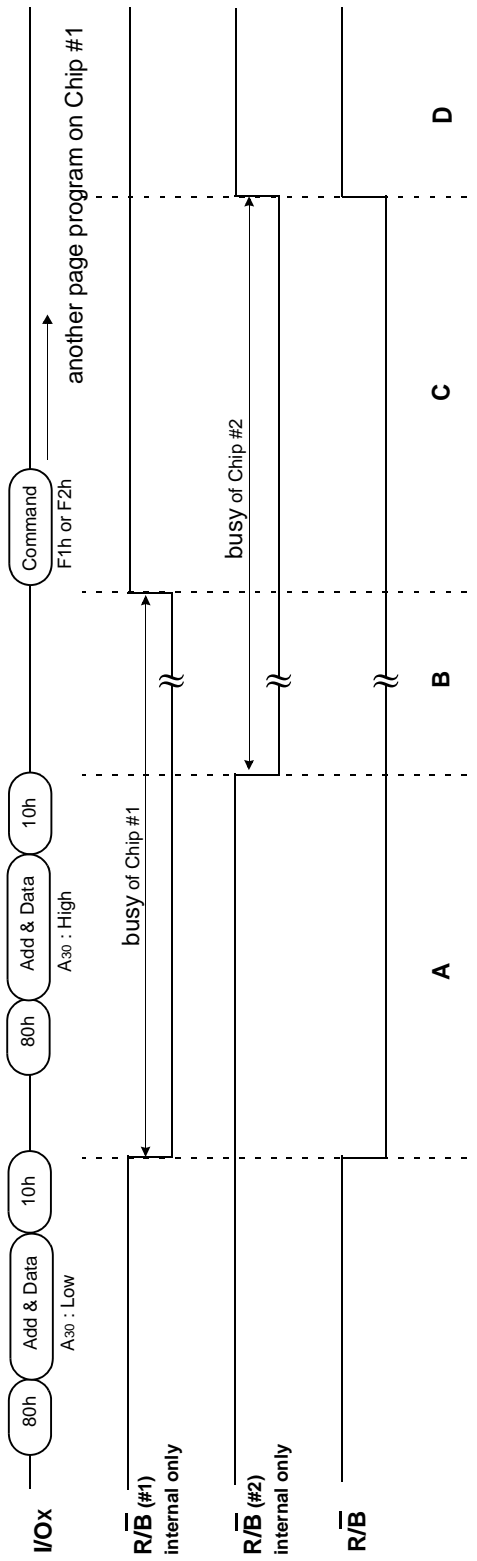
This interleaving algorithm improves the system throughput almost twice. The host can issue page program command to each chip individually. This reduces the time lag for the completion of operation.

NOTES : During interleave operations, 70h command is prohibited.

**K9HAG08U1M
K9L8G08U0M K9MBG08U5M**

**Preliminary
FLASH MEMORY**

Interleave Page Program



State A : Chip #1 is executing a page program operation and chip #2 is in ready state. So the host can issue a page program command to chip #2.

State B : Both chip #1 and chip #2 are executing page program operation.

State C : Page program on chip #1 is terminated, but page program on chip #2 is still operating. And the system should issue F1h command to detect the status of chip #1. If chip #1 is ready, status I/O6 is "1" and the system can issue another page program command to chip #1.

State D : Chip #1 and Chip #2 are ready.

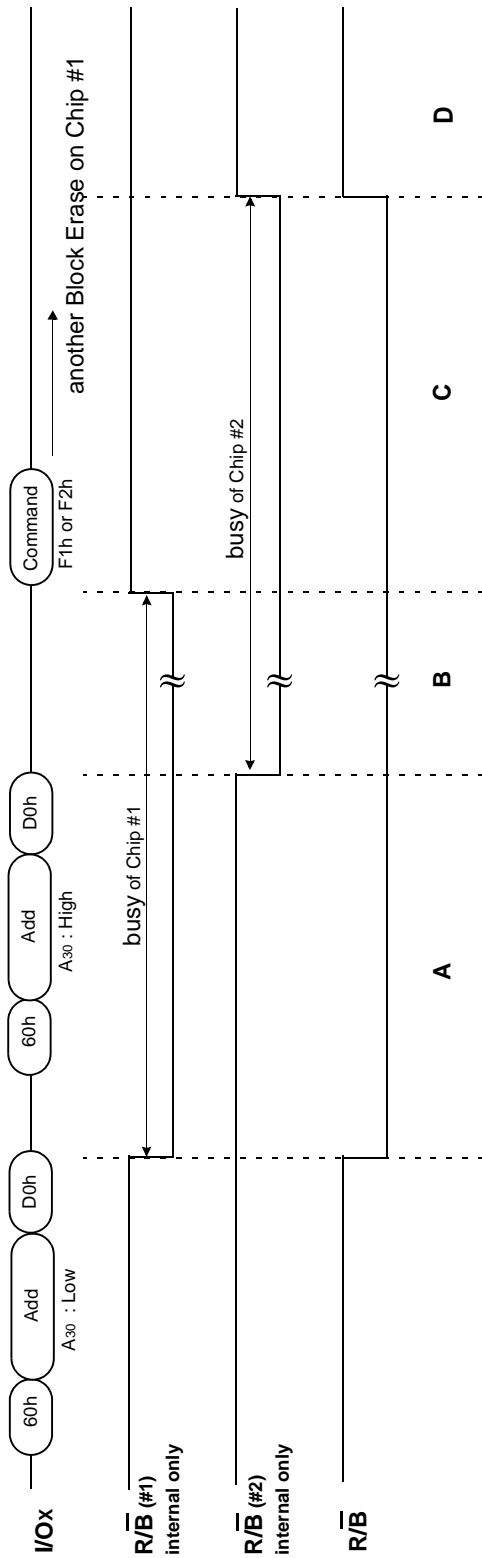
According to the above process, the system can operate page program on chip #1 and chip #2 alternately.

Status	Operation	Status Command / Data	
		F1h	F2h
A	Chip 1 : Busy, Chip 2 : Ready	8xh	Cxh
B	Chip 1 : Busy, Chip 2 : Busy	8xh	8xh
C	Chip 1 : Ready, Chip 2 : Busy	Cxh	8xh
D	Chip 1 : Ready, Chip 2 : Ready	Cxh	Cxh

**K9HAG08U1M
K9L8G08U0M K9MBG08U5M**

**Preliminary
FLASH MEMORY**

Interleave Block Erase



State A : Chip #1 is executing a block erase operation, and chip #2 is in ready state. So the host can issue a block erase command to chip #2.

State B : Both chip #1 and chip #2 are executing block erase operation.

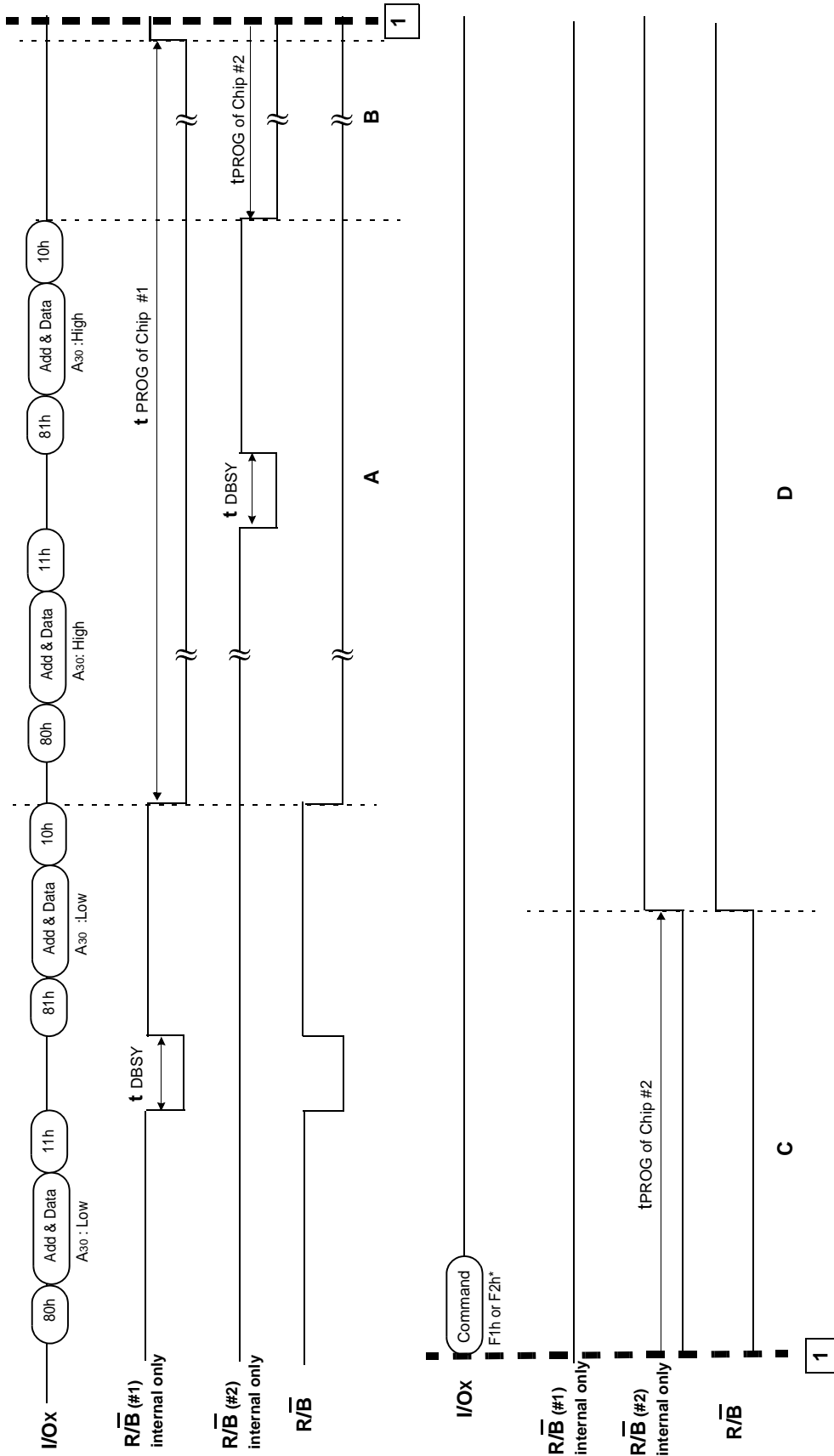
State C : Block erase on chip #1 is terminated, but block erase on chip #2 is still operating. And the system should issue F1h command to detect the status of chip #1. If chip #1 is ready, status I/O6 is "1" and the system can issue another block erase command to chip #1.

State D : Chip #1 and Chip #2 are ready.

According to the above process, the system can operate block erase on chip #1 and chip #2 alternately.

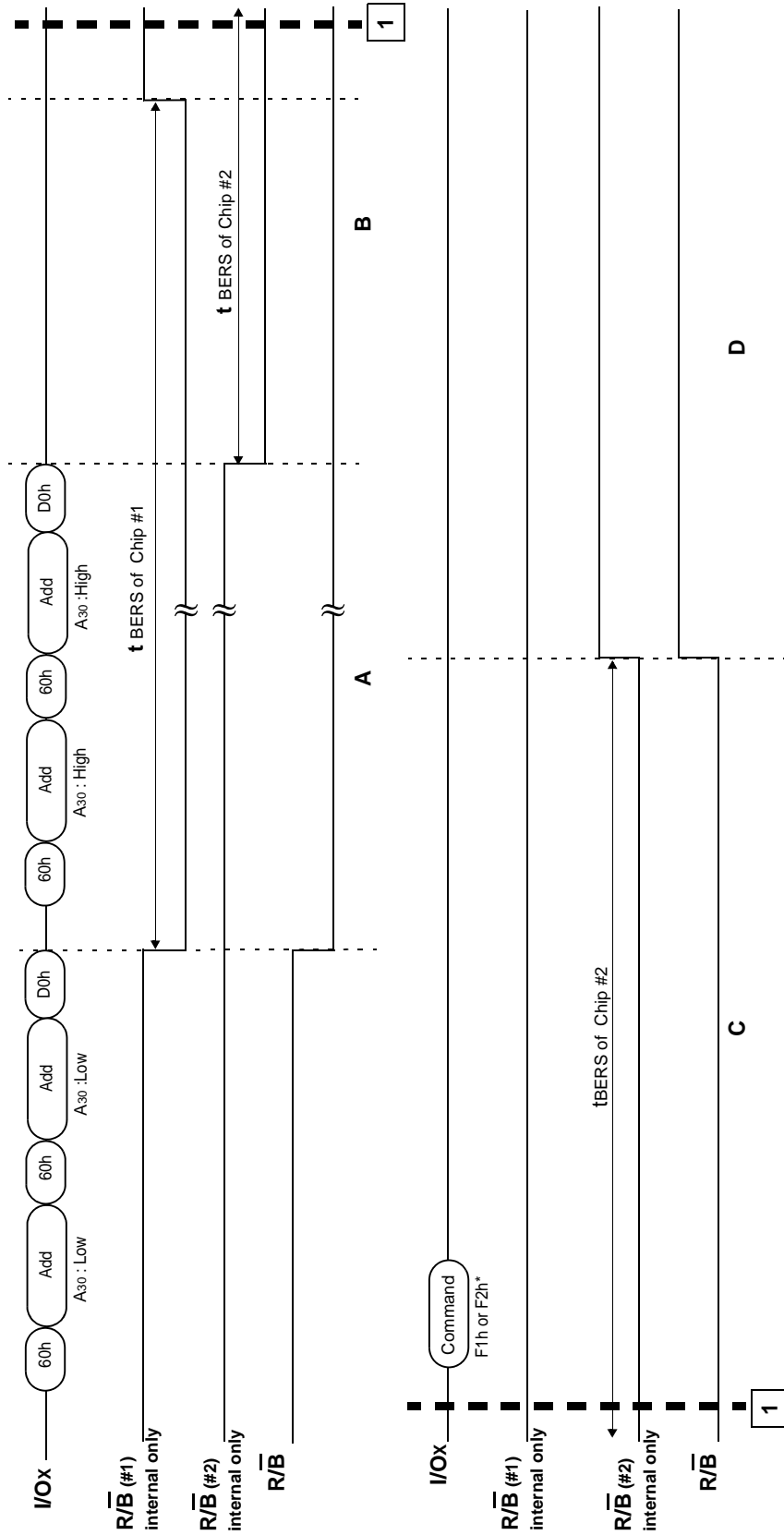
Status	Operation	Status Command / Data	
		F1h	F2h
A	Chip 1 : Busy, Chip 2 : Ready	8xh	Cxh
B	Chip 1 : Busy, Chip 2 : Busy	8xh	8xh
C	Chip 1 : Ready, Chip 2 : Busy	Cxh	8xh
D	Chip 1 : Ready, Chip 2 : Ready	Cxh	Cxh

Interleave Two-Plane Page Program



State A : Chip #1 is executing a page program operation, and chip #2 is in ready state. So the host can issue a page program command to chip #2.
State B : Both chip #1 and chip #2 are executing page program operation.
State C : Page program on chip #1 is completed and chip #1 is ready for the next operation. Chip #2 is still executing page program operation.
State D : Both chip #1 and chip #2 are ready.
Note : *F1h command is required to check the status of chip #1 to issue the next page program command to chip #1.
 F2h command is required to check the status of chip #2 to issue the next page program command to chip #2.
 According to the above process, the system can operate two-plane page program on chip #1 and chip #2 alternately.

Interleave Two-Plane Block Erase



State A : Chip #1 is executing a block erase operation, and chip #2 is in ready state. So the host can issue a block erase command to chip #2.
State B : Both chip #1 and chip #2 are executing block erase operation.
State C : Block erase on chip #1 is completed and chip #1 is ready for the next operation. Chip #2 is still executing block erase operation.
State D : Both chip #1 and chip #2 are ready.
Note : *F1h command is required to check the status of chip #1 to issue the next block erase command to chip #1.
 F2h command is required to check the status of chip #2 to issue the next block erase command to chip #2.
 According to the above process, the system can operate two-plane block erase on chip #1 and chip #2 alternately.

**K9HAG08U1M
K9L8G08U0M K9MBG08U5M**

**Preliminary
FLASH MEMORY**

System Interface Using \overline{CE} don't-care.

For an easier system interface, \overline{CE} may be inactive during the data-loading or serial access as shown below. The internal 2,112byte data registers are utilized as separate buffers for this operation and the system design gets more flexible. In addition, for voice or audio applications which use slow cycle time on the order of μ -seconds, de-activating \overline{CE} during the data-loading and serial access would provide significant savings in power consumption.

Figure 4. Program Operation with \overline{CE} don't-care.

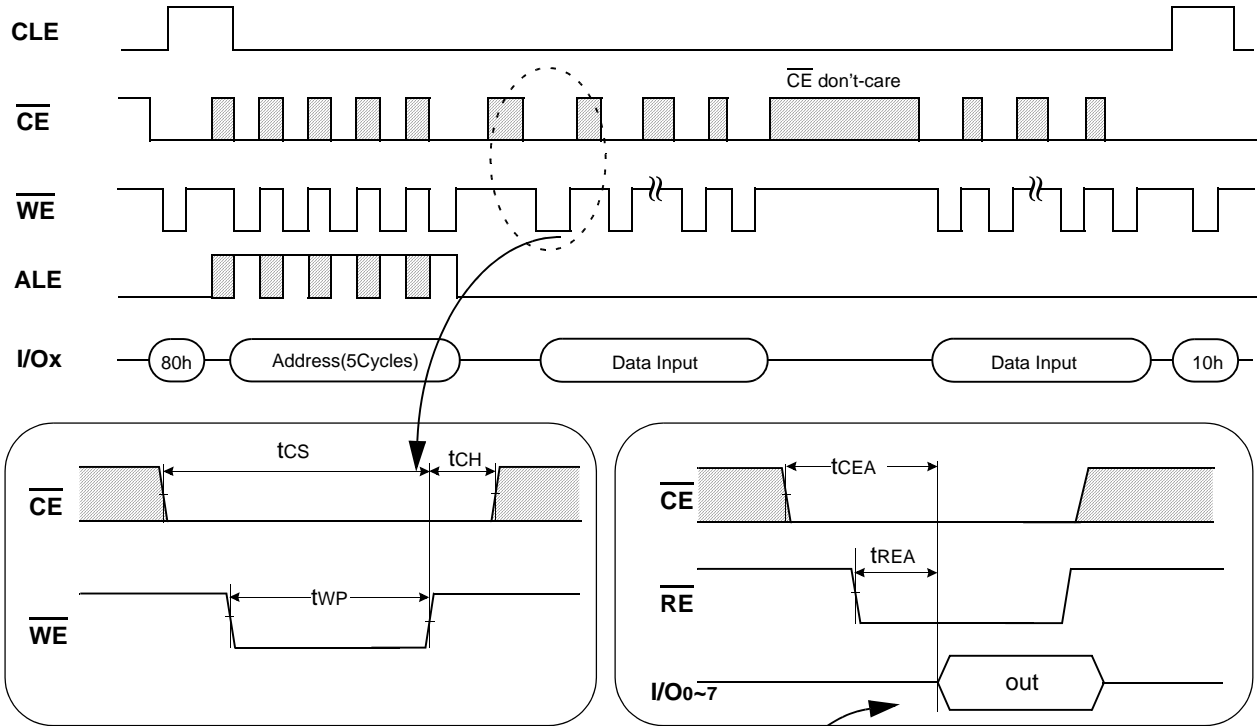
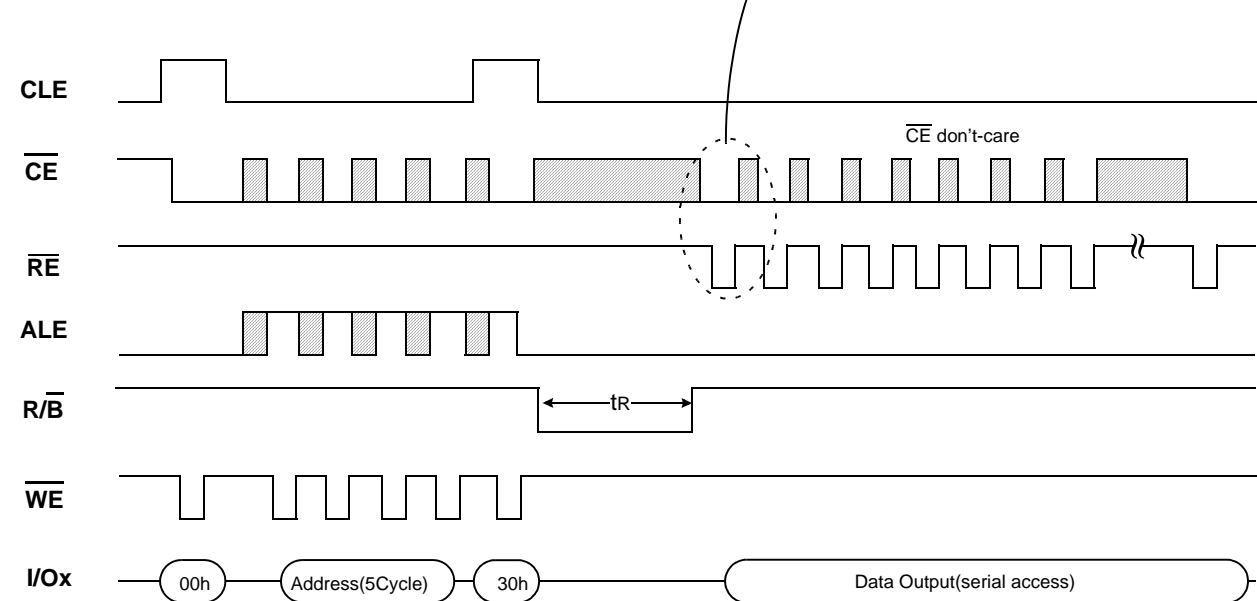


Figure 5. Read Operation with \overline{CE} don't-care.



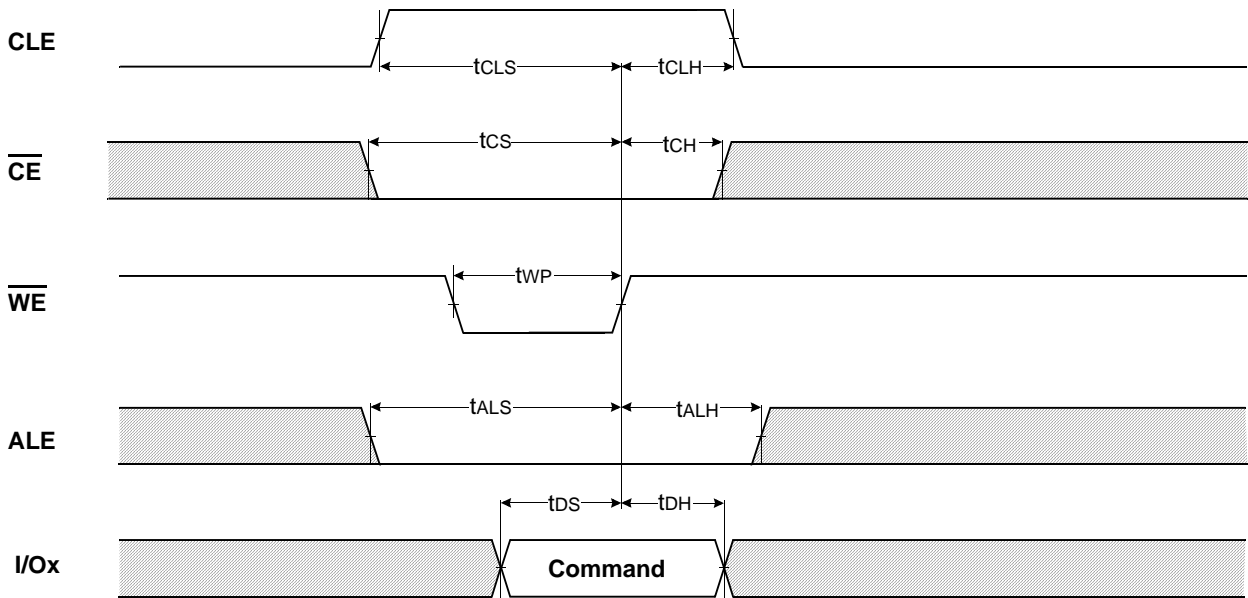
**K9HAG08U1M
K9L8G08U0M K9MBG08U5M**

**Preliminary
FLASH MEMORY**

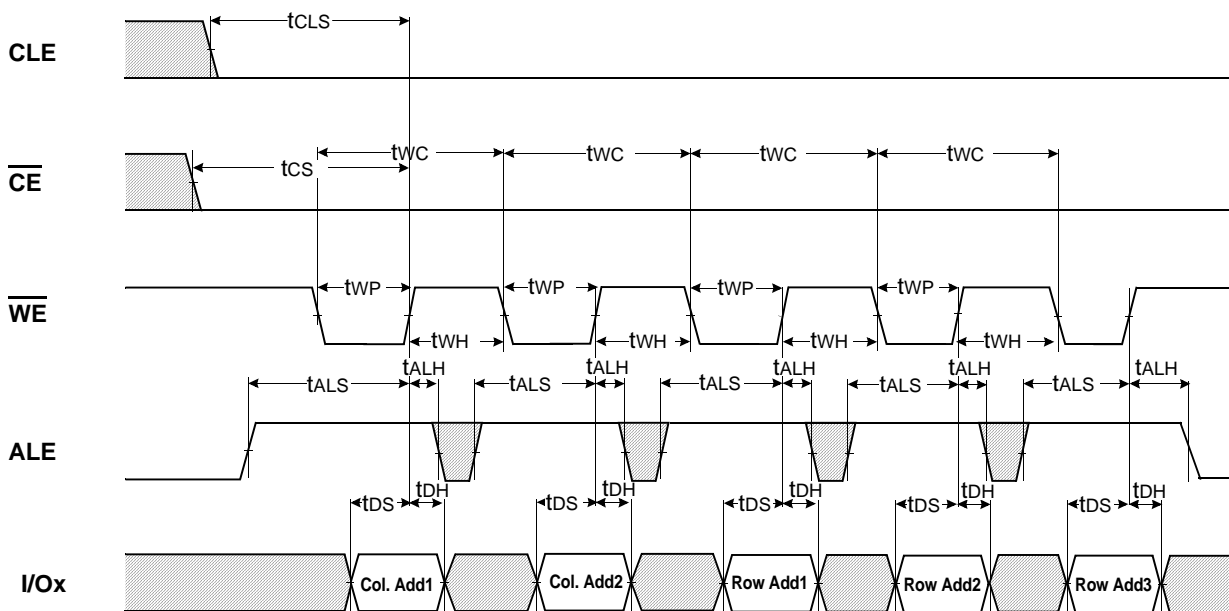
NOTE

Device	I/O	DATA	ADDRESS				
	I/Ox	Data In/Out	Col. Add1	Col. Add2	Row Add1	Row Add2	Row Add3
K9L8G08U0M	I/O 0 ~ I/O 7	~2,112byte	A0~A7	A8~A11	A12~A19	A20~A27	A28~A30

Command Latch Cycle



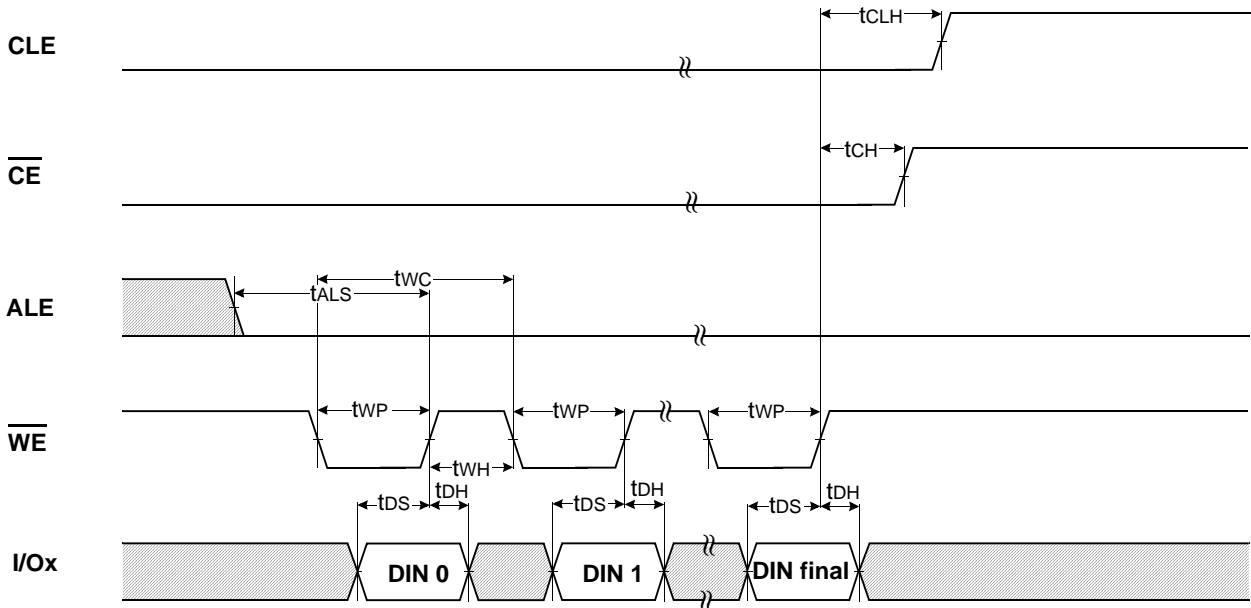
Address Latch Cycle



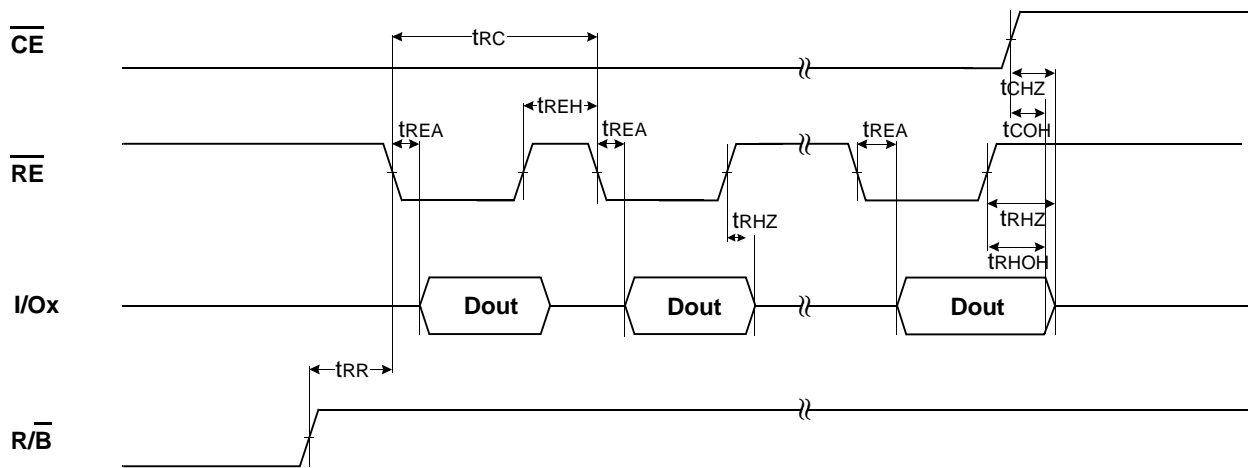
**K9HAG08U1M
K9L8G08U0M K9MBG08U5M**

**Preliminary
FLASH MEMORY**

Input Data Latch Cycle



*** Serial Access Cycle after Read (CLE=L, WE=H, ALE=L)**

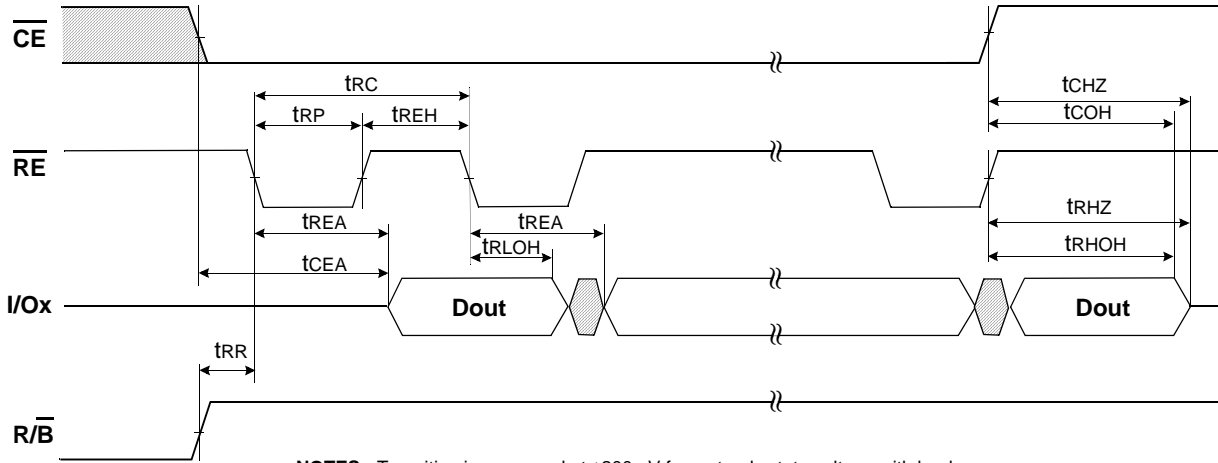


NOTES : Transition is measured at $\pm 200\text{mV}$ from steady state voltage with load.
 This parameter is sampled and not 100% tested.
 tRLOH is valid when frequency is higher than 20MHz.
 tRHOH starts to be valid when frequency is lower than 20MHz.

**K9HAG08U1M
K9L8G08U0M K9MBG08U5M**

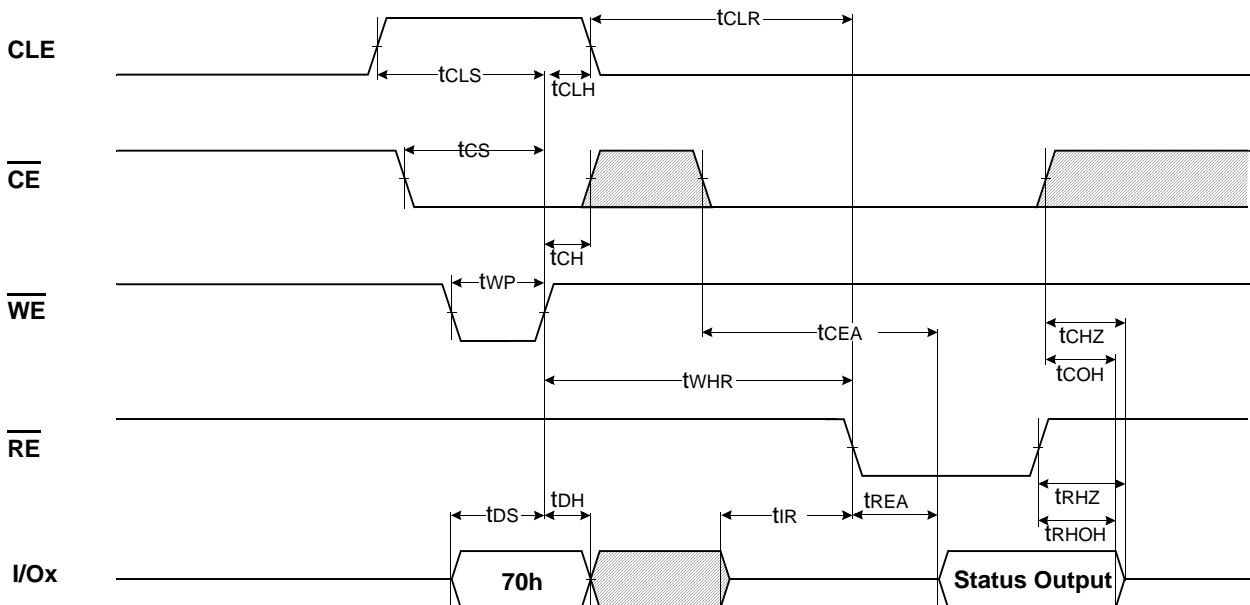
**Preliminary
FLASH MEMORY**

Serial Access Cycle after Read(EDO Type, CLE=L, \overline{WE} =H, ALE=L)



NOTES : Transition is measured at $\pm 200\text{mV}$ from steady state voltage with load.
 This parameter is sampled and not 100% tested.
 tRLOH is valid when frequency is higher than 20MHz.
 tRHOH starts to be valid when frequency is lower than 20MHz.

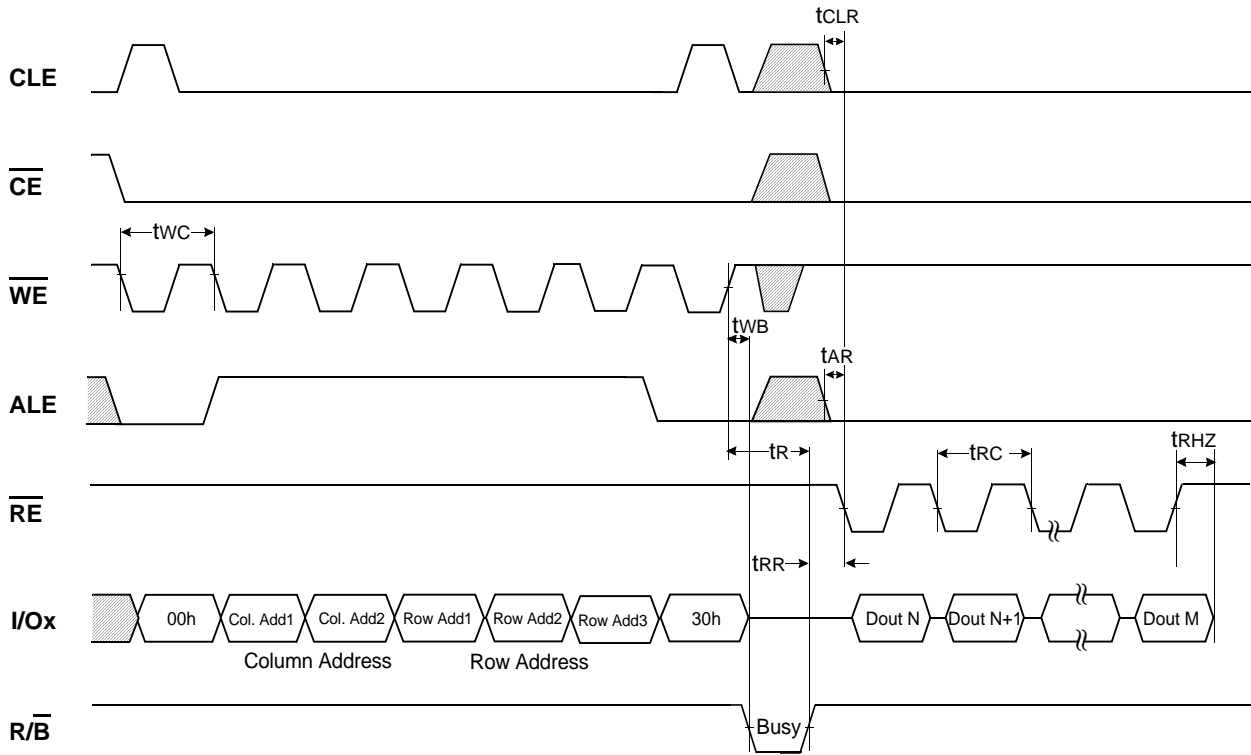
Status Read Cycle



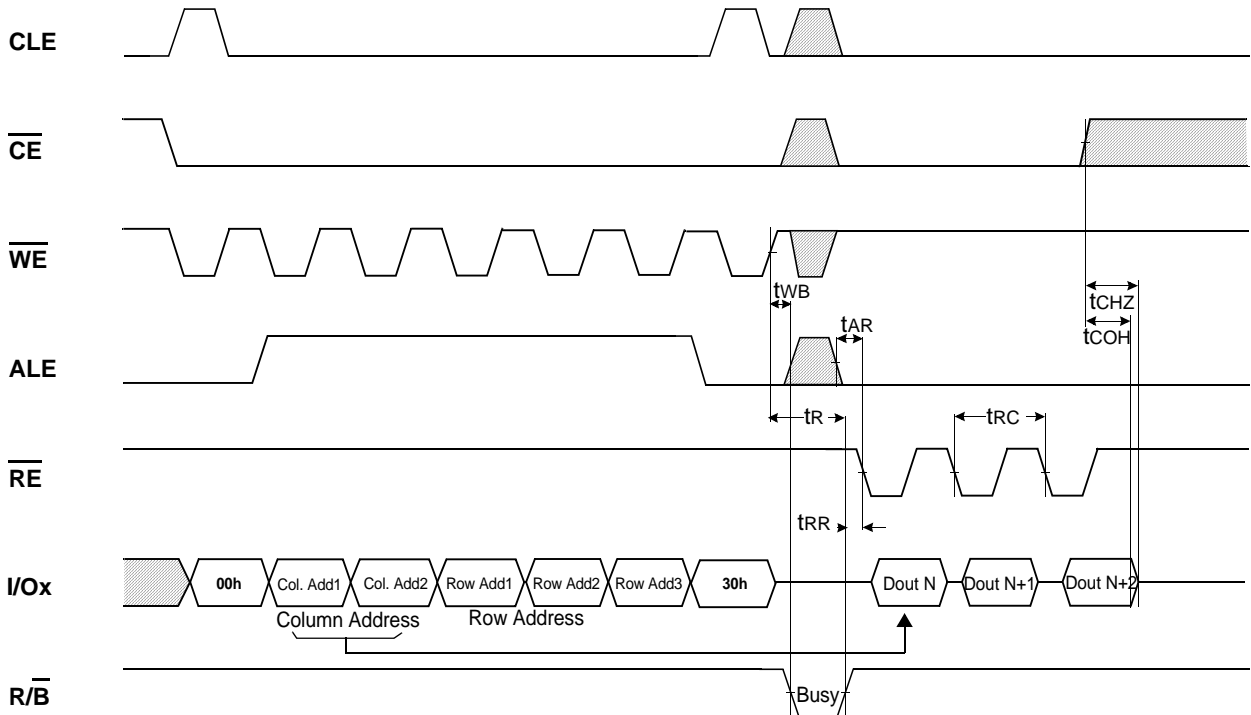
**K9HAG08U1M
K9L8G08U0M K9MBG08U5M**

**Preliminary
FLASH MEMORY**

Read Operation



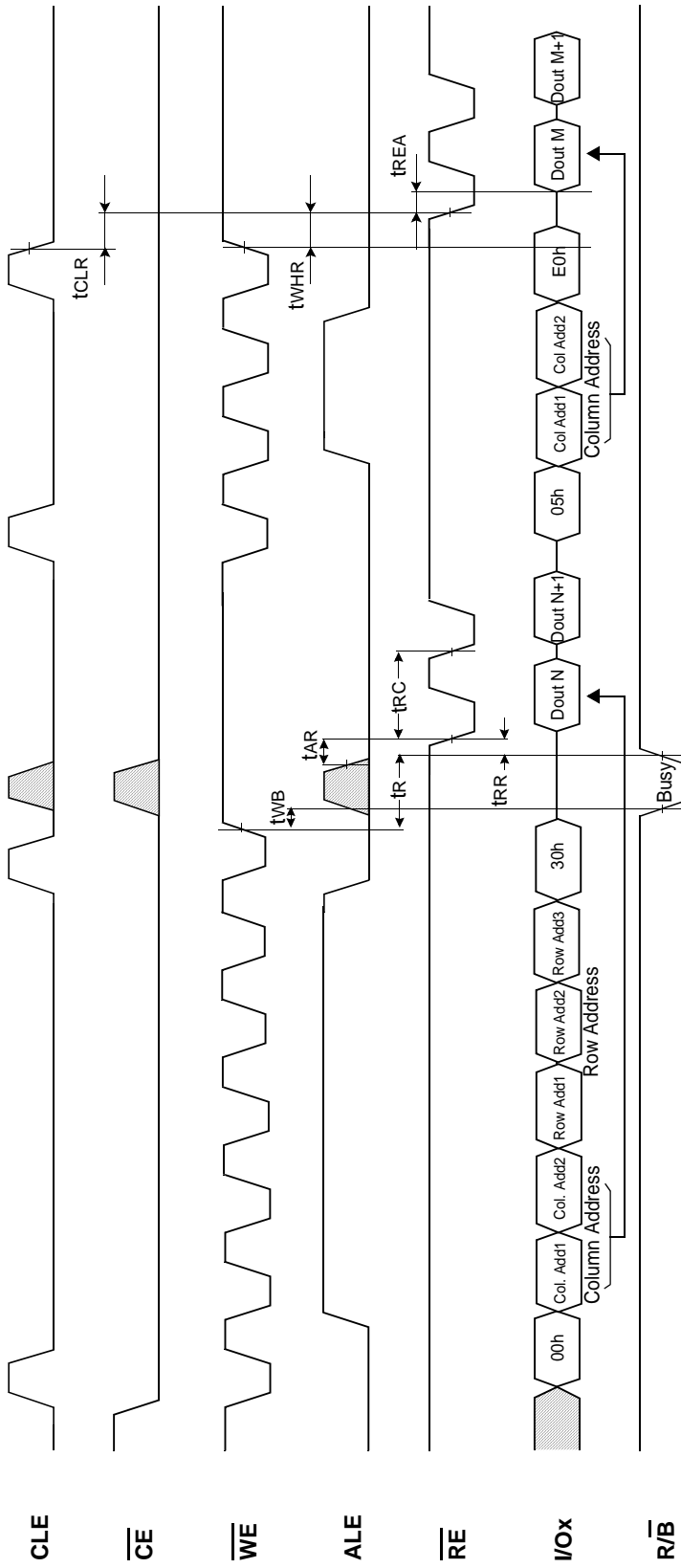
Read Operation (Intercepted by \overline{CE})



**K9HAG08U1M
K9L8G08U0M K9MBG08U5M**

**Preliminary
FLASH MEMORY**

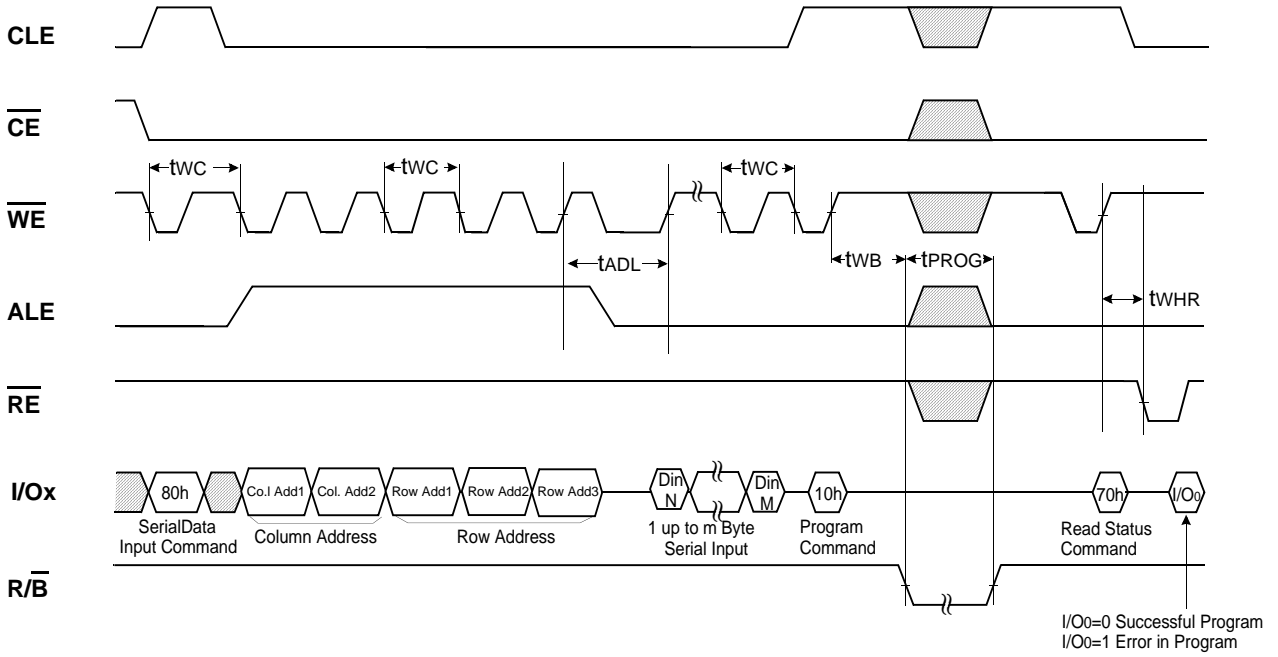
Random Data Output In a Page



**K9HAG08U1M
K9L8G08U0M K9MBG08U5M**

**Preliminary
FLASH MEMORY**

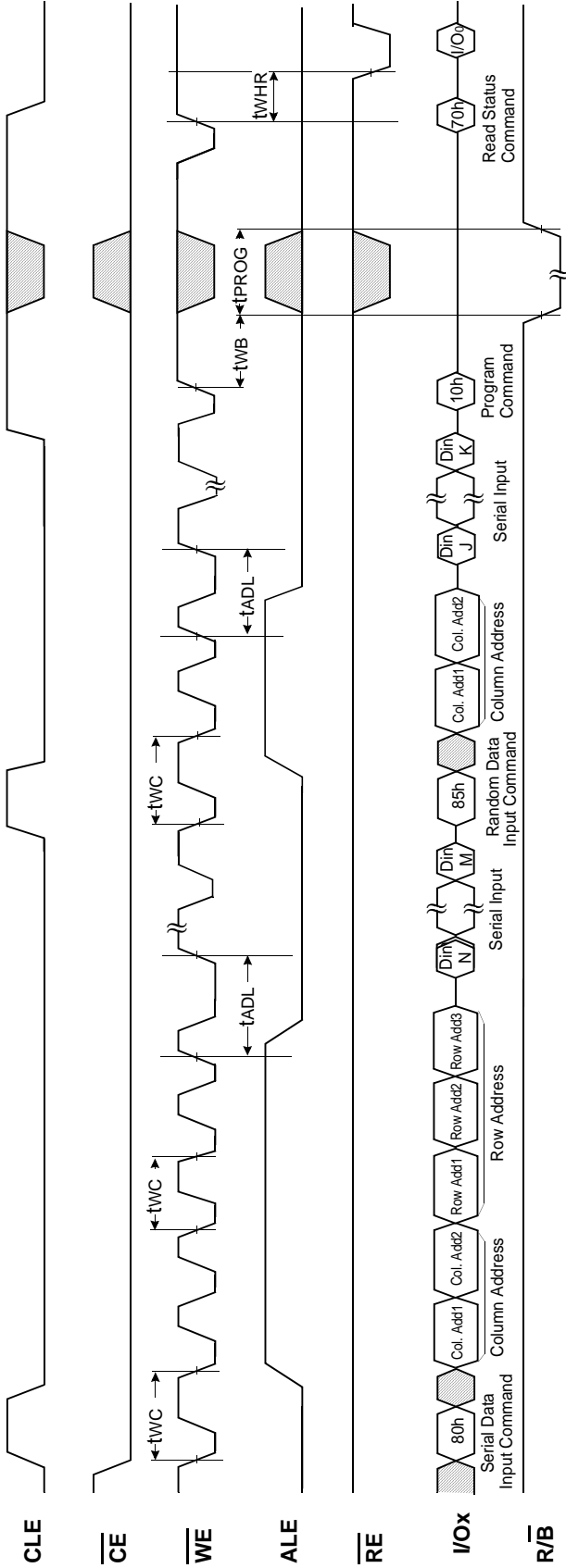
Page Program Operation



**K9HAG08U1M
K9L8G08U0M K9MBG08U5M**

**Preliminary
FLASH MEMORY**

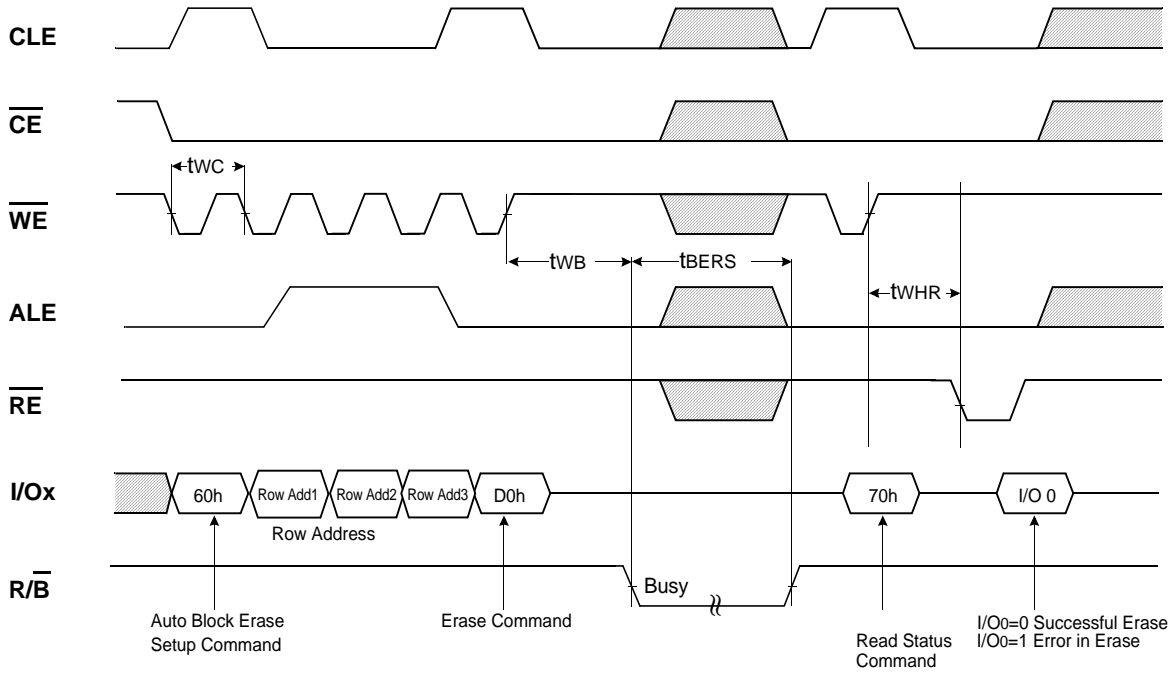
Page Program Operation with Random Data Input



**K9HAG08U1M
K9L8G08U0M K9MBG08U5M**

**Preliminary
FLASH MEMORY**

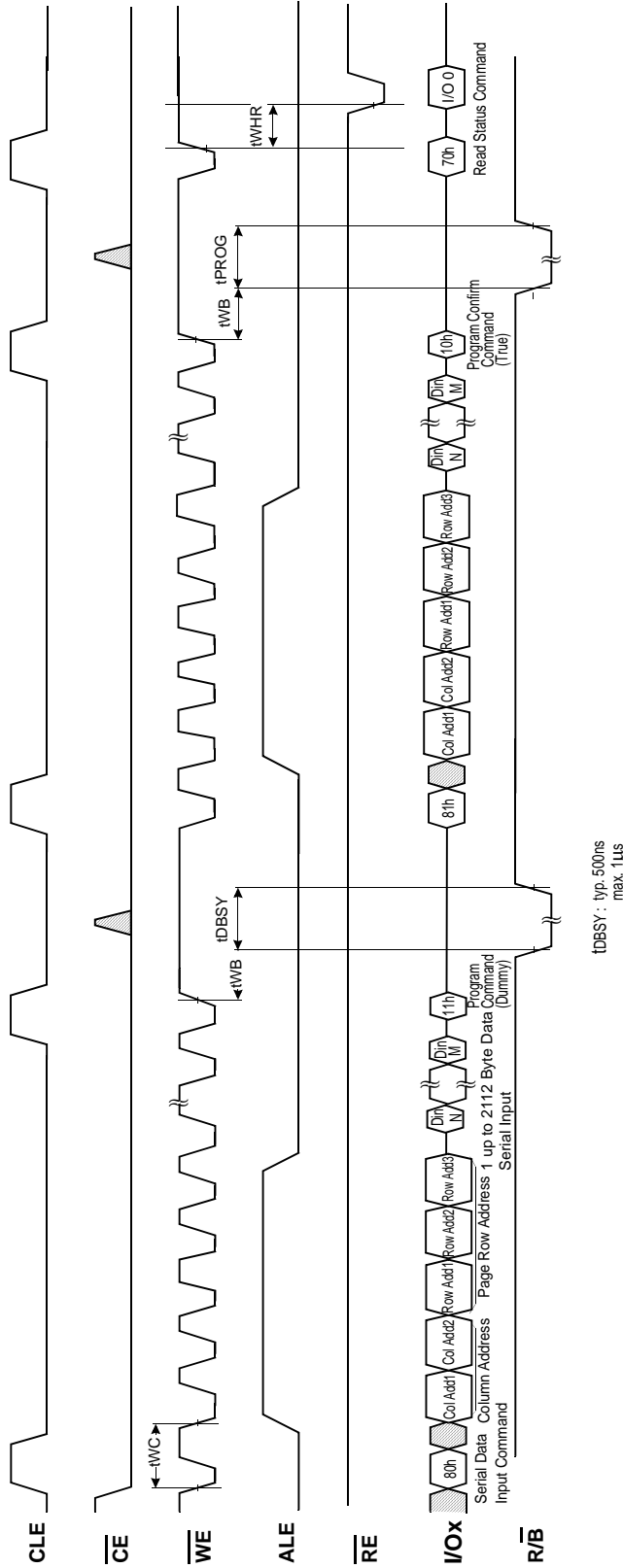
Block Erase Operation



**K9HAG08U1M
K9L8G08U0M K9MBG08U5M**

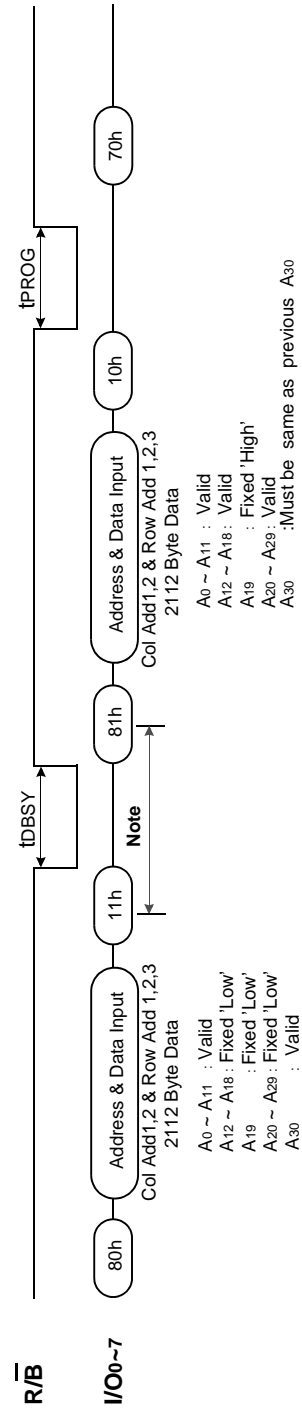
**Preliminary
FLASH MEMORY**

Two-Plane Page Program Operation



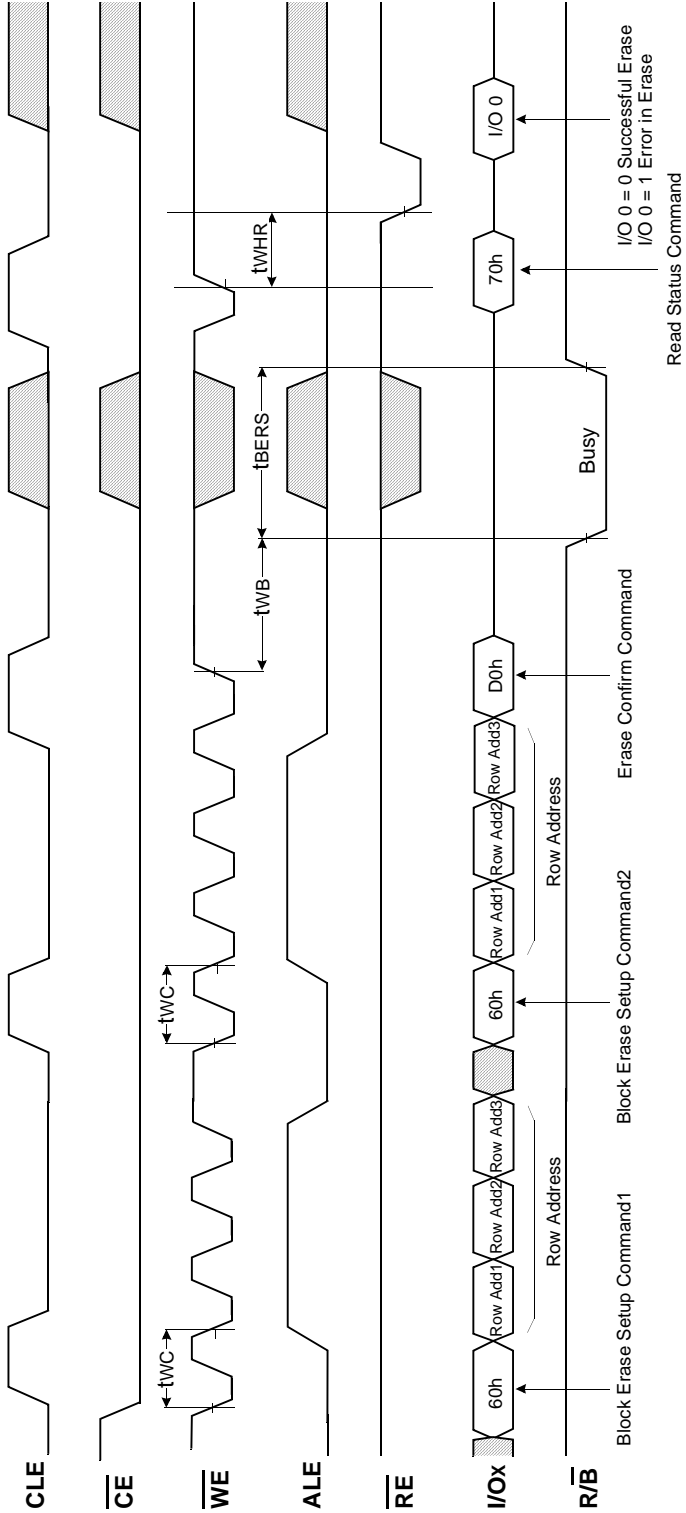
t_{DIBSY} : typ. 500ns
max. 1 μ s

Ex.) Two-Plane Page Program

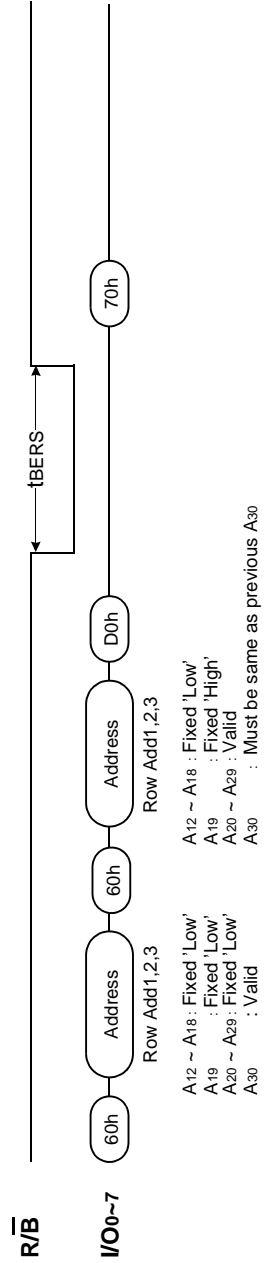


Note: Any command between 11h and 81h is prohibited except 70h and FFh.

Two-Plane Block Erase Operation



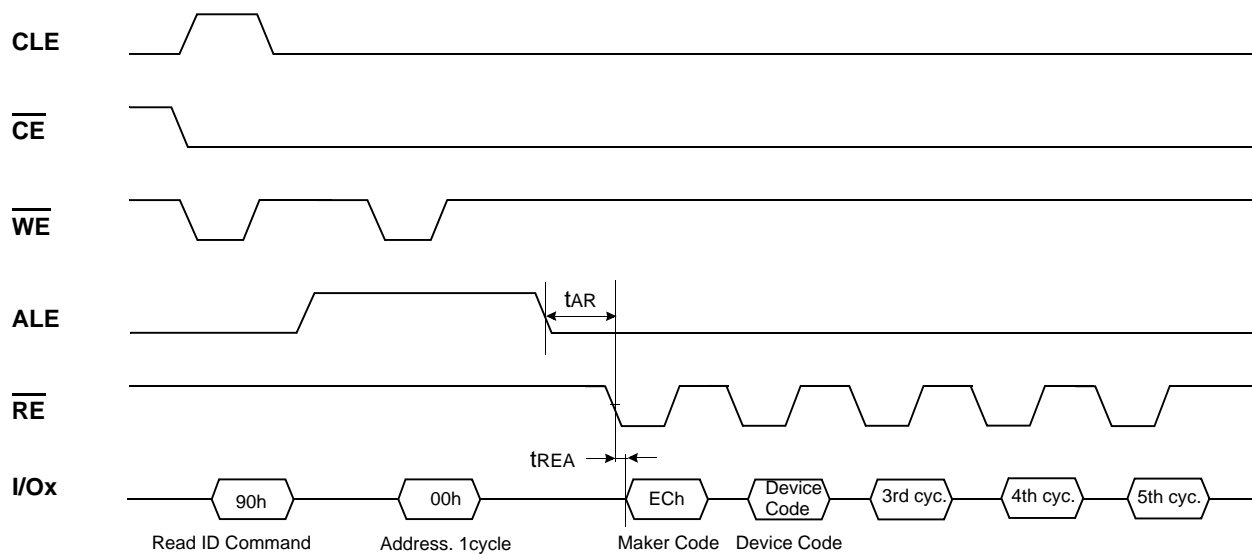
Ex.) Address Restriction for Two-Plane Block Erase Operation



**K9HAG08U1M
K9L8G08U0M K9MBG08U5M**

**Preliminary
FLASH MEMORY**

Read ID Operation



Device	Device Code(2nd Cycle)	3rd Cycle	4th Cycle	5th Cycle
K9L8G08U0M	D3h	55h	25h	58h
K9HAG08U1M	Same as each K9L8G08U0M in it			
K9MBG08U5M				

K9HAG08U1M
K9L8G08U0M K9MBG08U5M
Preliminary
FLASH MEMORY
ID Definition Table
90 ID : Access command = 90H

	Description
1 st Byte	Maker Code
2 nd Byte	Device Code
3 rd Byte	Internal Chip Number, Cell Type, Number of Simultaneously Programmed Pages, etc
4 th Byte	Page Size, Block Size, Spare Size, Organization, Serial Access Minimum
5 th Byte	Plane Number, Plane Size

3rd ID Data

	Description	I/O7	I/O6	I/O5	I/O4	I/O3	I/O2	I/O1	I/O0
Internal Chip Number	1							0	0
	2							0	1
	4							1	0
	8							1	1
Cell Type	2 Level Cell					0	0		
	4 Level Cell					0	1		
	8 Level Cell					1	0		
	16 Level Cell					1	1		
Number of Simultaneously Programmed Pages	1			0	0				
	2			0	1				
	4			1	0				
	8			1	1				
Interleave Program Between multiple chips	Not Support		0						
	Support		1						
Cache Program	Not Support	0							
	Support	1							

4th ID Data

	Description	I/O7	I/O6	I/O5	I/O4	I/O3	I/O2	I/O1	I/O0
Page Size (w/o redundant area)	1KB							0	0
	2KB							0	1
	4KB							1	0
	8KB							1	1
Block Size (w/o redundant area)	64KB			0	0				
	128KB			0	1				
	256KB			1	0				
	512KB			1	1				
Redundant Area Size (byte/512byte)	8						0		
	16						1		
Organization	x8		0						
	x16		1						
Serial Access Minimum	50ns/30ns	0				0			
	25ns	1				0			
	Reserved	0				1			
	Reserved	1				1			

K9HAG08U1M
K9L8G08U0M K9MBG08U5M

Preliminary
FLASH MEMORY

5th ID Data

	Description	I/O7	I/O6	I/O5	I/O4	I/O3	I/O2	I/O1	I/O0
Plane Number	1					0	0		
	2					0	1		
	4					1	0		
	8					1	1		
Plane Size (w/o redundant Area)	64Mb		0	0	0				
	128Mb		0	0	1				
	256Mb		0	1	0				
	512Mb		0	1	1				
	1Gb		1	0	0				
	2Gb		1	0	1				
	4Gb		1	1	0				
8Gb		1	1	1					
Reserved		0						0	0

Device Operation

PAGE READ

Page read is initiated by writing 00h-30h to the command register along with five address cycles. After initial power up, 00h command is latched. Therefore only five address cycles and 30h command initiates that operation after initial power up. The 2,112 bytes of data within the selected page are transferred to the data registers in less than 50μs(t_R). The system controller can detect the completion of this data transfer(t_R) by analyzing the output of R/B pin. Once the data in a page is loaded into the data registers, they may be read out in 30ns(K9MBG08U5M : 50ns) cycle time by sequentially pulsing RE. The repetitive high to low transitions of the RE clock make the device output the data starting from the selected column address up to the last column address.

The device may output random data in a page instead of the consecutive sequential data by writing random data output command. The column address of next data, which is going to be out, may be changed to the address which follows random data output command. Random data output can be operated multiple times regardless of how many times it is done in a page.

Figure 6. Read Operation

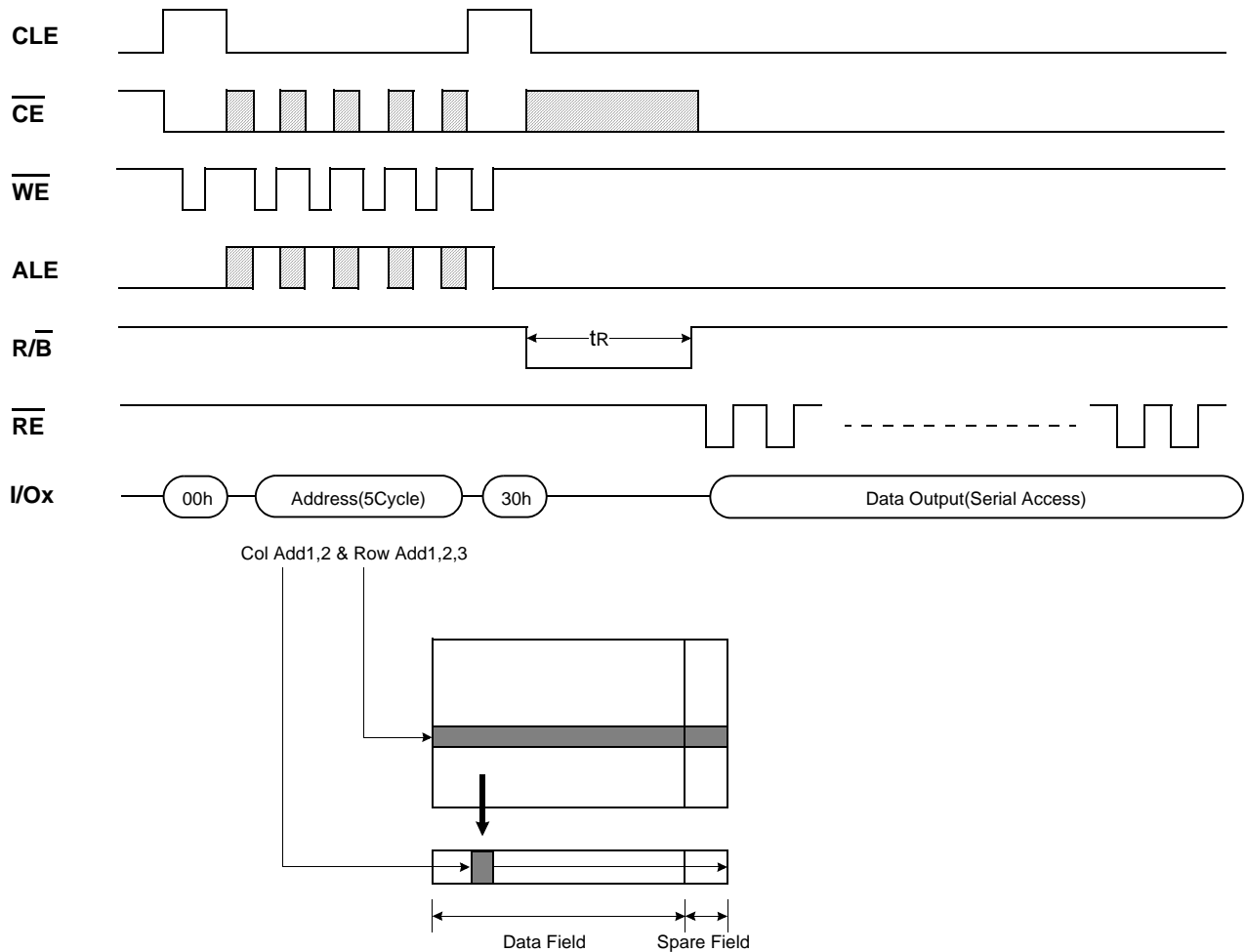
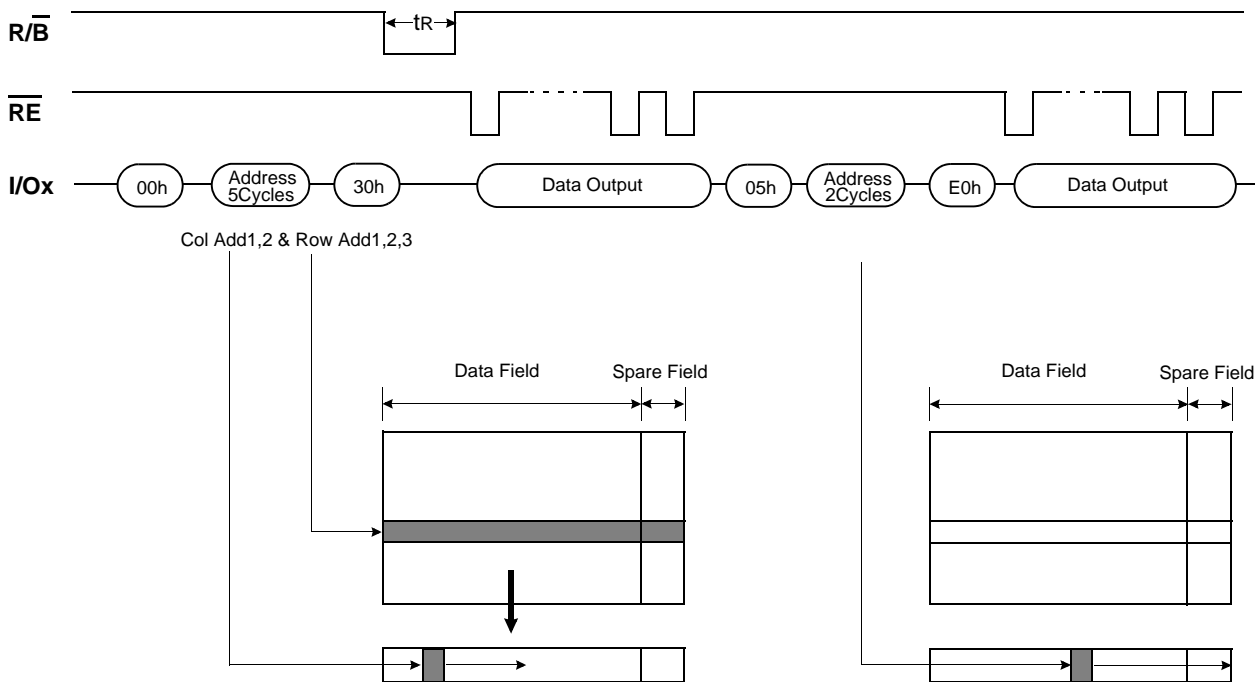


Figure 7. Random Data Output In a Page



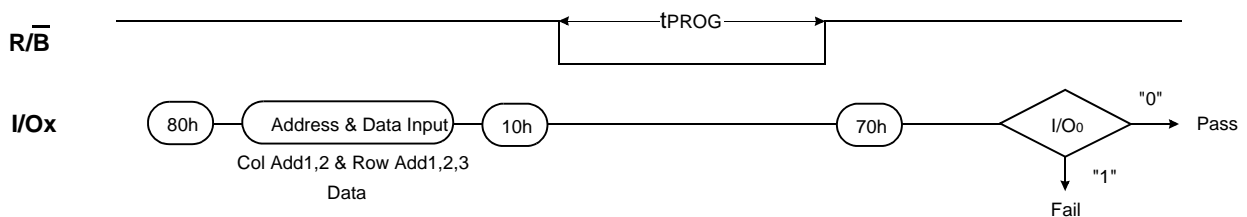
PAGE PROGRAM

The device is programmed basically on a page basis, but it does allow multiple partial page programming of a word or consecutive bytes up to 2112, in a single page program cycle. The number of consecutive partial page programming operation within the same page without an intervening erase operation must not exceed 1 time for the page. The addressing should be done in sequential order in a block. A page program cycle consists of a serial data loading period in which up to 2,112bytes of data may be loaded into the data register, followed by a non-volatile programming period where the loaded data is programmed into the appropriate cell.

The serial data loading period begins by inputting the Serial Data Input command(80h), followed by the five cycle address inputs and then serial data loading. The words other than those to be programmed do not need to be loaded. The device supports random data input in a page. The column address for the next data, which will be entered, may be changed to the address which follows random data input command(85h). Random data input may be operated multiple times regardless of how many times it is done in a page.

The Page Program confirm command(10h) initiates the programming process. Writing 10h alone without previously entering the serial data will not initiate the programming process. The internal write state controller automatically executes the algorithms and timings necessary for program and verify, thereby freeing the system controller for other tasks. Once the program process starts, the Read Status Register command may be entered to read the status register. The system controller can detect the completion of a program cycle by monitoring the R/B output, or the Status bit(I/O 6) of the Status Register. Only the Read Status command and Reset command are valid while programming is in progress. When the Page Program is complete, the Write Status Bit(I/O 0) may be checked(Figure 8). The internal write verify detects only errors for "1"s that are not successfully programmed to "0"s. The command register remains in Read Status command mode until another valid command is written to the command register.

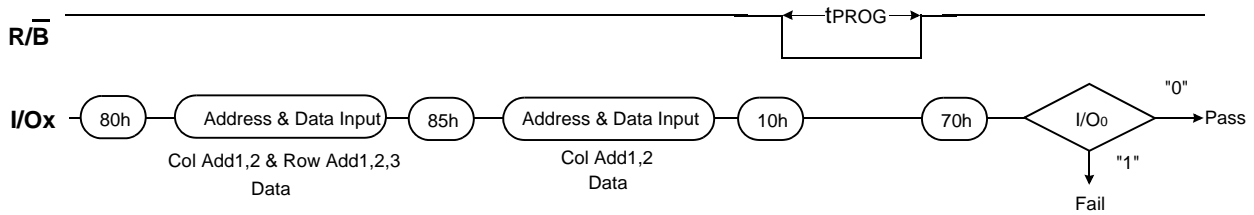
Figure 8. Program & Read Status Operation



K9HAG08U1M
K9L8G08U0M K9MBG08U5M

Preliminary
FLASH MEMORY

Figure 9. Random Data Input In a Page

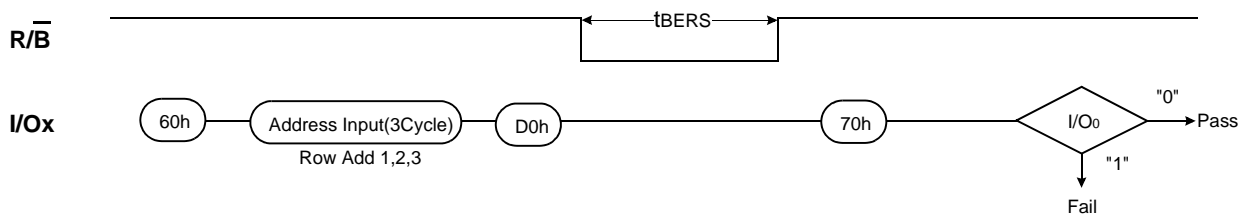


BLOCK ERASE

The Erase operation is done on a block basis. Block address loading is accomplished in three cycles initiated by an Erase Setup command(60h). Only address A_{19} to A_{30} is valid while A_{12} to A_{18} is ignored. The Erase Confirm command(D0h) following the block address loading initiates the internal erasing process. This two-step sequence of setup followed by execution command ensures that memory contents are not accidentally erased due to external noise conditions.

At the rising edge of \overline{WE} after the erase confirm command input, the internal write controller handles erase and erase-verify. When the erase operation is completed, the Write Status Bit(I/O_0) may be checked. Figure 10 details the sequence.

Figure 10. Block Erase Operation



Two-Plane Page Program

Two-Plane Page Program is an extension of Page Program, for a single plane with 2112 byte page registers. Since the device is equipped with four memory planes, activating the two sets of 2112 byte page registers enables a simultaneous programming of two pages. But there is some restriction, two-plane program operations can be executed by dividing the memory array into plane 0-1 or plane 2-3 separately. For example, two-plane program operation into plane 0 and plane 2 is prohibited. that is to say, two-plane program operation into plane 0 and plane 1 or into plane 2 and plane 3 is allowed.

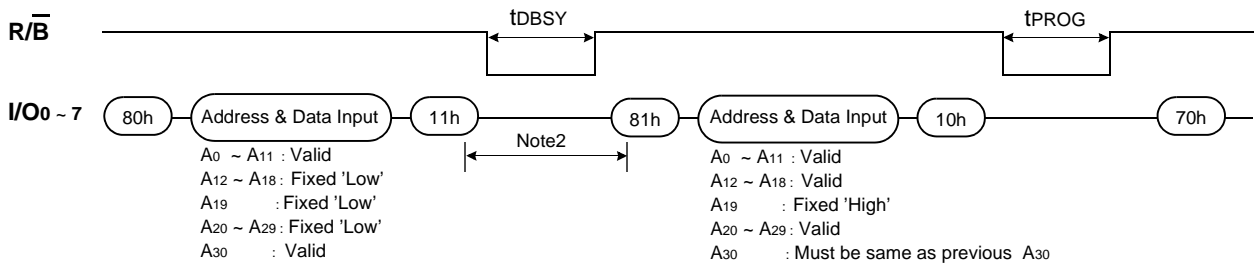
After writing the first set of data up to 2112 byte into the selected page register, Dummy Page Program command (11h) instead of actual Page Program (10h) is inputted to finish data-loading of the first plane. Since no programming process is involved, $\overline{R/B}$ remains in Busy state for a short period of time(t_{DBSY}). Read Status command (70h) may be issued to find out when the device returns to Ready state by polling the Ready/Busy status bit(I/O_6). Then the next set of data for the other plane is inputted after the 81h command and address sequences. After inputting data for the last plane, actual True Page Program(10h) instead of dummy Page Program command (11h) must be followed to start the programming process. The operation of $\overline{R/B}$ and Read Status is the same as that of Page Program. Although two planes are programmed simultaneously, pass/fail is not available for each page when the program operation completes. Status bit of I/O_0 is set to "1" when any of the pages fails.

Restriction in addressing with Two-Plane Page Program is shown in Figure11.

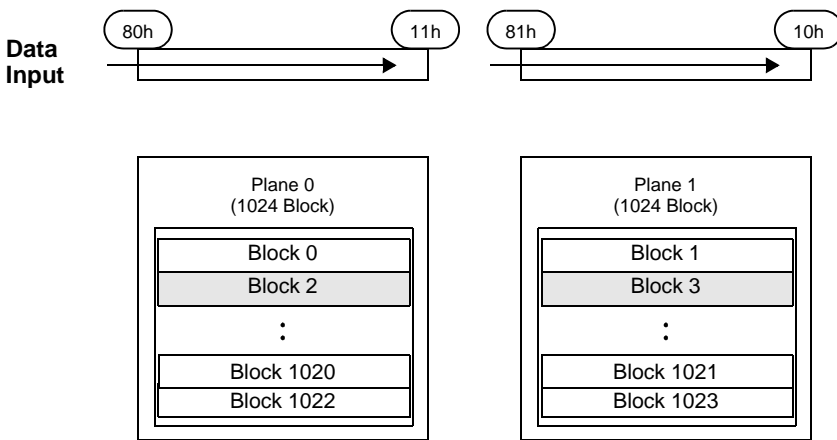
**K9HAG08U1M
K9L8G08U0M K9MBG08U5M**

**Preliminary
FLASH MEMORY**

Figure 11. Two-Plane Page Program



NOTE : 1. It is noticeable that physically same row address is applied to two planes.
2. Any command between 11h and 81h is prohibited except 70h and FFh.

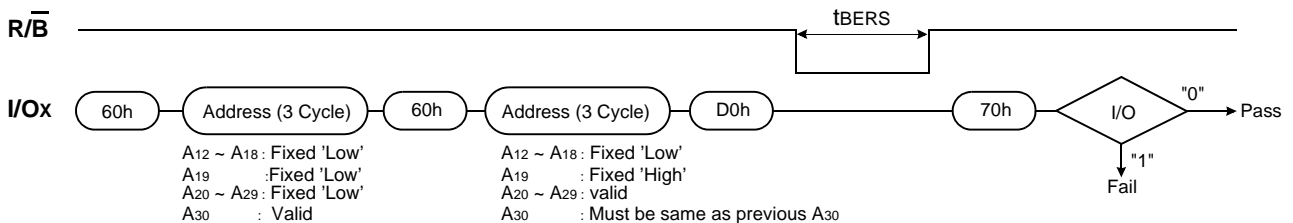


NOTE : It is an example for two-plane page program into plane 0&1(In this case, A₃₀ is low), and the method for two-plane page program into plane 2 &3 is same. Two-plane page program into plane 0&2(or plane 0&3, or plane 1&2, or plane 1&3) is prohibited.

Two-Plane Block Erase

Basic concept of Two-Plane Block Erase operation is identical to that of TwoTwo--Plane Page Program. Up to two blocks, one from each plane can be simultaneously erased. Standard Block Erase command sequences (Block Erase Setup command(60h) followed by three address cycles) may be repeated up to twice for erasing up to two blocks. Only one block should be selected from each plane. The Erase Confirm command(D0h) initiates the actual erasing process. The completion is detected by monitoring R/B pin or Ready/Busy status bit (I/O 6).

Figure 12. Two-Plane Erase Operation



NOTE : Two-plane block erase into plane 0&2(or plane 0&3, or plane 1&2, or plane 1&3) is prohibited.

**K9HAG08U1M
K9L8G08U0M K9MBG08U5M**

**Preliminary
FLASH MEMORY**

READ STATUS

The device contains a Status Register which may be read to find out whether program or erase operation is completed, and whether the program or erase operation is completed successfully. After writing 70h command to the command register, a read cycle outputs the content of the Status Register to the I/O pins on the falling edge of \overline{CE} or \overline{RE} , whichever occurs last. This two line control allows the system to poll the progress of each device in multiple memory connections even when R/B pins are common-wired. \overline{RE} or \overline{CE} does not need to be toggled for updated status. Refer to table 2 for specific Status Register definitions. The command register remains in Status Read mode until further commands are issued to it. Therefore, if the status register is read during a random read cycle, the read command(00h) should be given before starting read cycles.

Table 2. Read Status Register Definition

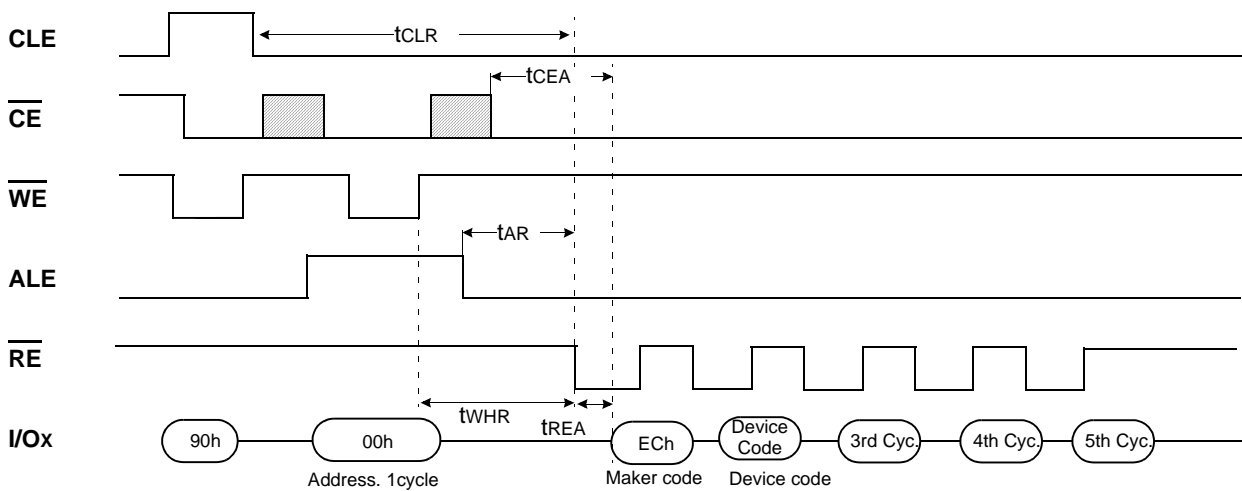
I/O No.	Page Program	Block Erase	Read	Definition
I/O 0	Pass/Fail	Pass/Fail	Not use	Pass : "0" Fail : "1"
I/O 1	Not use	Not use	Not use	Don't -cared
I/O 2	Not use	Not use	Not use	Don't -cared
I/O 3	Not Use	Not Use	Not Use	Don't -cared
I/O 4	Not Use	Not Use	Not Use	Don't -cared
I/O 5	Not Use	Not Use	Not Use	Don't -cared
I/O 6	Ready/Busy	Ready/Busy	Ready/Busy	Busy : "0" Ready : "1"
I/O 7	Write Protect	Write Protect	Write Protect	Protected : "0" Not Protected : "1"

NOTE : 1. I/Os defined 'Not use' are recommended to be masked out when Read Status is being executed.
2. Status Register Definition for F1h & F2h command is same as that of 70h command.

Read ID

The device contains a product identification mode, initiated by writing 90h to the command register, followed by an address input of 00h. Five read cycles sequentially output the manufacturer code(ECh), and the device code and 3th, 4th, 5th cycle ID respectively. The command register remains in Read ID mode until further commands are issued to it. Figure 13 shows the operation sequence.

Figure 13. Read ID Operation



Device	Device Code(2nd Cycle)	3th Cycle	4th Cycle	5th Cycle
K9L8G08U0M	D3h	55h	25h	58h
K9HAG08U1M	Same as each K9L8G08U0M in it			
K9MBG08U5M				

K9HAG08U1M
K9L8G08U0M K9MBG08U5M

Preliminary
FLASH MEMORY

RESET

The device offers a reset feature, executed by writing FFh to the command register. When the device is in Busy state during random read, program or erase mode, the reset operation will abort these operations. The contents of memory cells being altered are no longer valid, as the data will be partially programmed or erased. The command register is cleared to wait for the next command, and the Status Register is cleared to value C0h when WP is high. Refer to table 3 for device status after reset operation. If the device is already in reset state a new reset command will be accepted by the command register. The R/B pin changes to low for tRST after the Reset command is written. Refer to Figure 14 below.

Note: If FF reset command is input before write operation to even(or odd) page(e.g. Page address 0x00002, 0x1FFFF) is complete, it may cause damage to the data not only to the page which is being programmed, but also to the adjacent even(or odd) page (i.e. Page address 0x00000, Page 0x1FFFD in this case).

Figure 14. RESET Operation



Table 3. Device Status

	After Power-up	After Reset
Operation mode	00h Command is latched	Waiting for next command

**K9HAG08U1M
K9L8G08U0M K9MBG08U5M**

**Preliminary
FLASH MEMORY**

READY/BUSY

The device has a $\overline{R/B}$ output that provides a hardware method of indicating the completion of a page program, erase and random read completion. The $\overline{R/B}$ pin is normally high but transitions to low after program or erase command is written to the command register or random read is started after address loading. It returns to high when the internal controller has finished the operation. The pin is an open-drain driver thereby allowing two or more $\overline{R/B}$ outputs to be Or-tied. Because pull-up resistor value is related to $t_r(\overline{R/B})$ and current drain during busy(i_{busy}), an appropriate value can be obtained with the following reference chart(Fig 15). Its value can be determined by the following guidance.

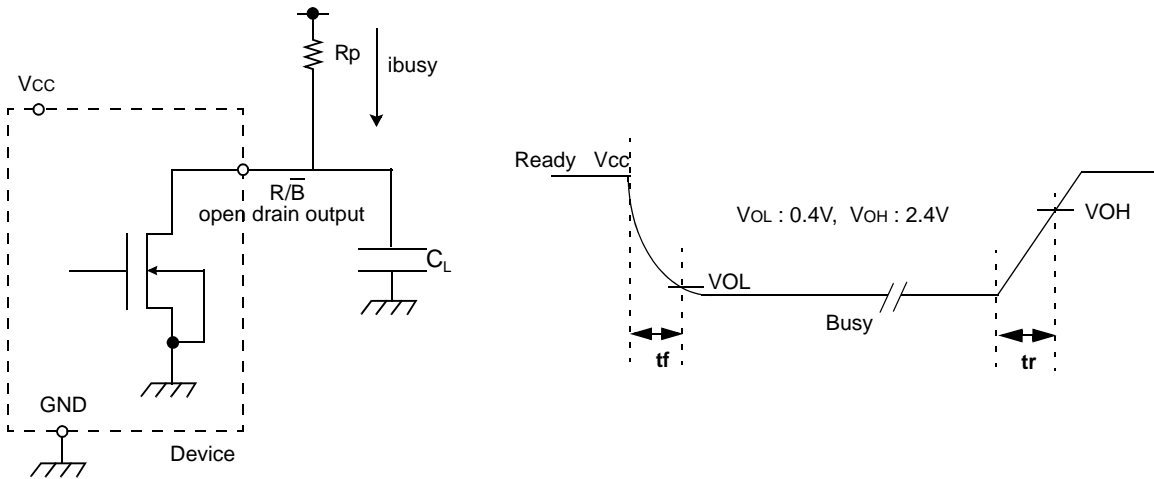
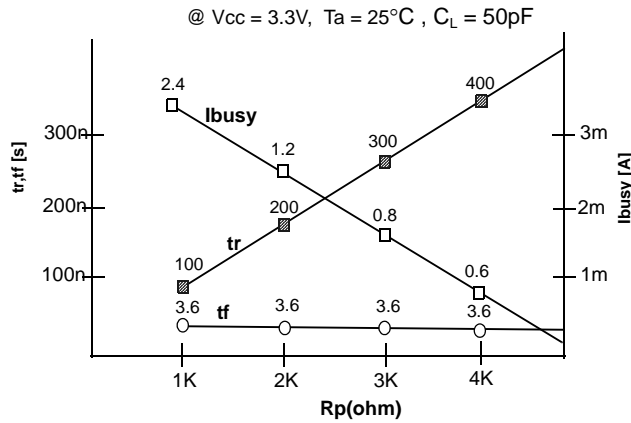


Figure 15. Rp vs tr ,tf & Rp vs ibusy



Rp value guidance

$$R_{p(\min, 3.3V \text{ part})} = \frac{V_{cc(\text{Max.})} - V_{oL(\text{Max.})}}{I_{oL} + \Sigma I_L} = \frac{3.2V}{8mA + \Sigma I_L}$$

where IL is the sum of the input currents of all devices tied to the $\overline{R/B}$ pin.

Rp(max) is determined by maximum permissible limit of tr

**K9HAG08U1M
K9L8G08U0M K9MBG08U5M**

**Preliminary
FLASH MEMORY**

Data Protection & Power up sequence

The device is designed to offer protection from any involuntary program/erase during power-transitions. An internal voltage detector disables all functions whenever V_{CC} is below about 2V. \overline{WP} pin provides hardware protection and is recommended to be kept at V_{IL} during power-up and power-down. A recovery time of minimum $10\mu s$ is required before internal circuit gets ready for any command sequences as shown in Figure 16. The two step command sequence for program/erase provides additional software protection.

Figure 16. AC Waveforms for Power Transition

