



www.datasheet4u.com

TWIST LOC



Twist Loc Strainer

Description

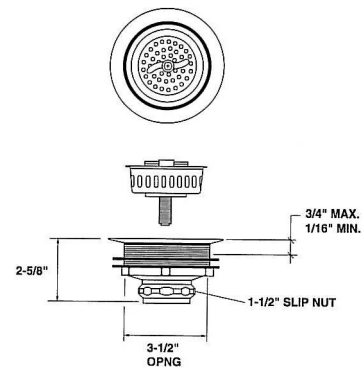
The Twist Loc strainer from Jomar utilizes a twisting wrist action that creates a positive metal to metal leakproof seal. Manufactured with high quality 400 series chrome plated stainless steel • Fits 3-1/2" to 4" sink openings.

Computer Part No.

Computer Number	Model	Finish
305-404	SS404	430 Stainless Steel

Warranty

The Company, for a period of one year from the date of shipment, warrants each product or system of its own manufacture to the original purchaser to be free from defects in material and workmanship under normal use, service and maintenance.



Architect/Engineer approval	
Job Name _____	Date _____
Model Specified _____	Quantity _____
Variations Specified _____	
Customer/Wholesaler _____	
Contractor _____	
Architect _____	

Note: Information subject to change without notice.



Jomar International Ltd.
7243 Miller Drive
Warren, MI 48092
Phone: 800-325-5690
Fax: 800-628-4194
www.jomar.com