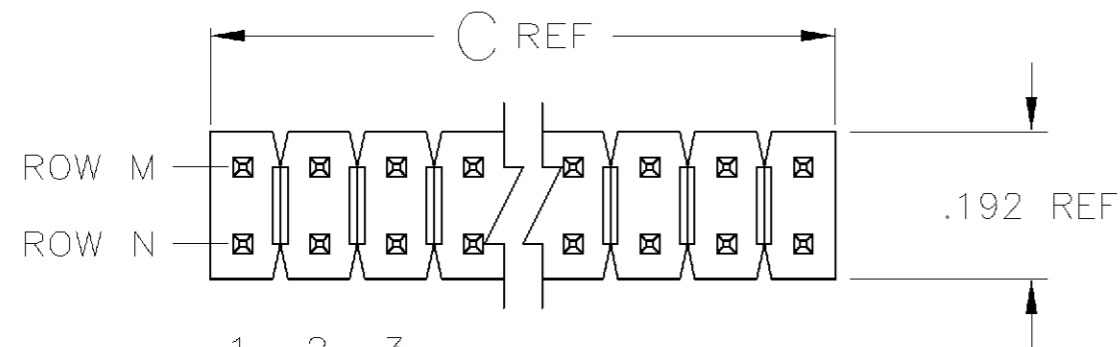
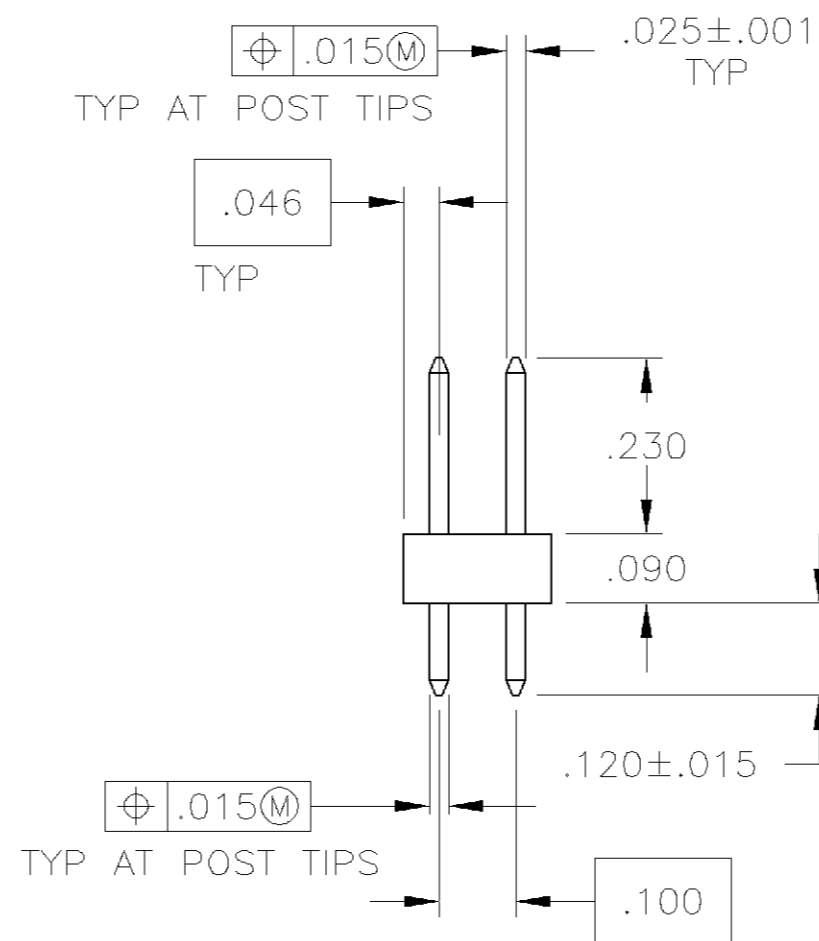
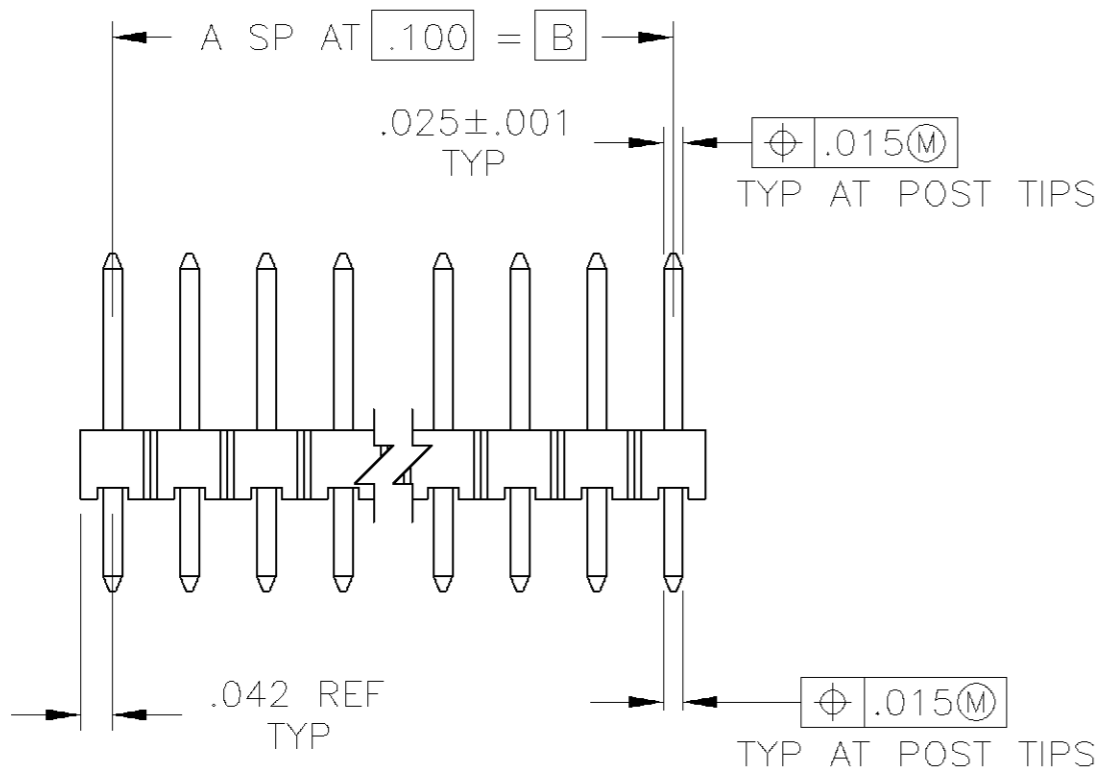


THIS DRAWING IS UNPUBLISHED. RELEASED FOR PUBLICATION
 © COPYRIGHT BY TYCO ELECTRONICS CORPORATION. ALL RIGHTS RESERVED.

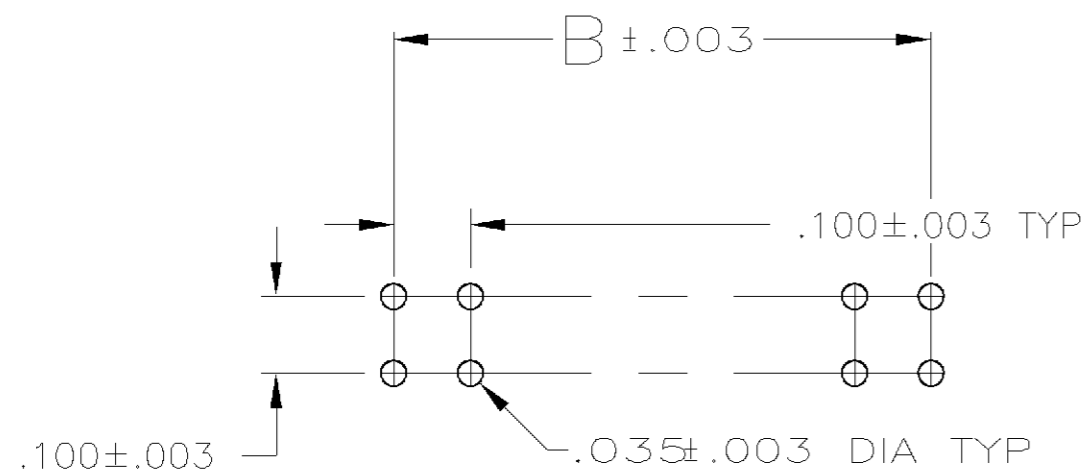
| LOC | DIST | REVISIONS | | | | | |
|-----|------|-----------|-----|----------------------|---------|-----|------|
| AD | 00 | P | LTR | DESCRIPTION | DATE | DWN | APVD |
| | | N | | REV PER 0G3C-0194-02 | 12JUN02 | RB | JG |



POST NO REF
(SEE TABLE)



- TRUE POSITION TOLERANCE OF THE POST TIPS APPLIES WHEN THE HEADERS ARE HELD FLAT AGAINST THE PRINTED CIRCUIT BOARD
- ASSEMBLY MAY BE BROKEN TO THE DESIRED NUMBER OF POSITIONS
- PRELIMINARY PART - NOT RELEASED FOR PRODUCTION.
- HOUSING: FLAME RETARDANT THERMOPLASTIC, COLOR-BALCK. POSTS: PHOSPHOR BRONZE.
- .000100-.000200 BRIGHT TIN-LEAD OVER .000050 NICKEL.



RECOMMENDED HOLE LAYOUT

| | | | | | | | | |
|----------|---------------------|-------|-------|-------|----|------------------|-----------|----------------------|
| 3 | NONE | 3 | .684 | .600 | 6 | 13 | 14 | 1-146000-0 |
| 3 | 1 | NONE | .184 | .100 | 1 | 3 | 4 | 146000-9 |
| 3 | NONE | 6 | 1.184 | 1.100 | 11 | 23 | 24 | 146000-8 |
| 3 | NONE | 2 | .484 | .400 | 4 | 9 | 10 | 146000-7 |
| 3 | NONE | 3 | .284 | .200 | 2 | 5 | 6 | 146000-6 |
| OBSOLETE | 3 | NONE | 1.684 | 1.600 | 16 | 33 | 34 | 146000-5 |
| OBSOLETE | NONE | 13 | 1.284 | 1.200 | 12 | 25 | 26 | 146000-4 |
| OBSOLETE | NONE | 10 | .984 | .900 | 9 | 19 | 20 | 146000-3 |
| OBSOLETE | NONE | 6 | .584 | .500 | 5 | 11 | 12 | 146000-2 |
| | NONE | 5 | .484 | .400 | 4 | 9 | 10 | 146000-1 |
| | ROW N | ROW M | | | | | | |
| | POST NUMBER OMITTED | | C | B | A | NO OF ACTIVE POS | NO OF POS | ASSEMBLY PART NUMBER |

THIS DRAWING IS A CONTROLLED DOCUMENT. DWN J.MARTINELLI 27JUL00
 CHK JOHN KNITTE ==/==/==
 APVD - NAME
 PRODUCT SPEC -
 APPLICATION SPEC -
 MATERIAL - FINISH -
 WEIGHT -
 CUSTOMER DRAWING

AMP Tyco Electronics Corporation
 Harrisburg, PA 17105

ASSEMBLY, HEADER, BREAKAWAY, MOD II,
 DOUBLE ROW, .100 X .100 C/L, VERTICAL,
 WITH .025 SQUARE POSTS

SIZE A2 CAGE CODE 00779 DRAWING NO C=146000 RESTRICTED TO -
 SCALE 4:1 SHEET 1 OF 1 REV N