

F-Series



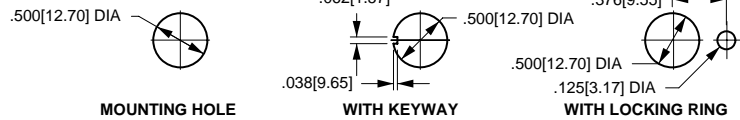
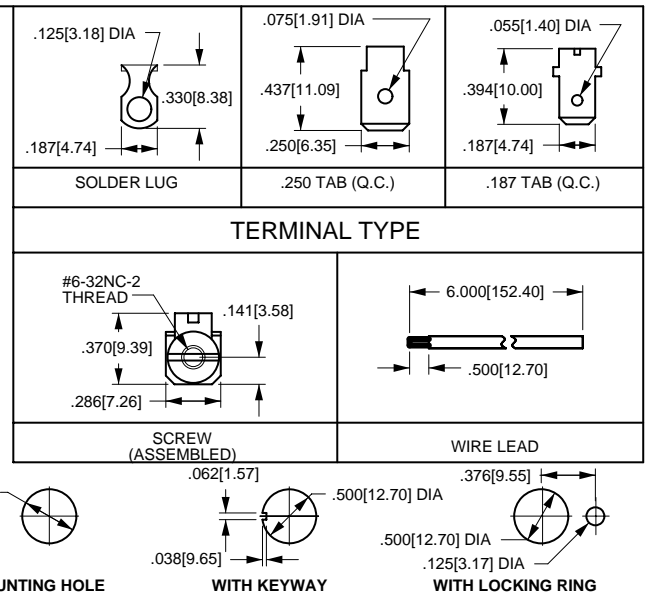
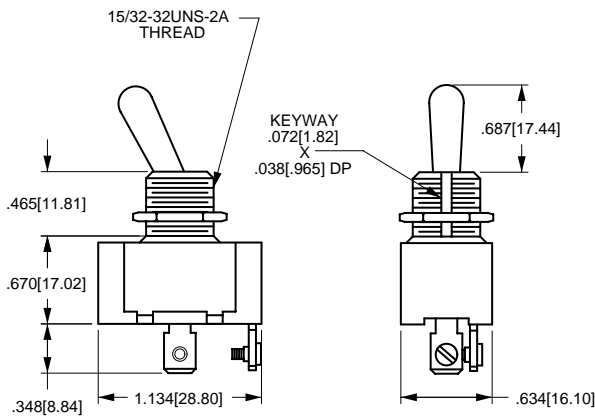
The F-Series toggle switches are AC rated up to 20 amps, single pole, with a slow-make, slow-break contact mechanism. These switches are available in a wide range of ratings, circuits, terminations and bushing/toggle configurations.

Specifications

- Certifications*: UL, CSA
- Dielectric Strength: 1,000V (minimum)
- Insulation Resistance: 100 Megohms (minimum)
- Base Material: Phenolic
- Actuator Material: Brass/Nickel Plate
- Bushing Material: Brass/Nickel Plate

* Due to ongoing technological advances, consult factory for certification specifics.

Dimensional Specifications: in. [mm]



2F A 5 3 - 73 /TABS

SERIES	RATING ¹	TERMINATION/FUNCTION ²	SOLDER LUG	.250TAB (QC)	SCREW TERM.	WIRE LEAD
2F SINGLE POLE	5 10A 250VAC 15A 125VAC 3/4HP 120-240VAC	FUNCTION	3	3/TABS	4	1
6F SINGLE POLE MOMENTARY		(ON)-NONE-OFF	3	3/TABS	4	1
CIRCUIT	6 3A 250VAC 6A 125VAC 1/4HP 120-240VAC	ON-NONE-(OFF)	7	7/TABS	8	6
		ON-NONE-ON	3	3/TABS	4	1
		ON-NONE-(ON)	3	3/TABS	4	1
		ON-OFF-ON	3	3/TABS	4	1
		ON-OFF-(ON)	3	3/TABS	4	1
A ON-NONE-OFF		ON-OFF-(ON)	7	7/TABS	8	6
B ON-NONE-ON		ON-OFF-(ON)				
C ON-OFF-ON		ON-OFF-(ON)				

TOGGLE STYLE

	TOGGLE LENGTH	BUSHING LENGTH	SUFFIX NO.	NEOPRENE SEAL
BAT	.406	.343	52	57
	.562	.465	63	68
	.687	.465	73	78
	1.00	.343	A2	A7
	2.00	.465	E3	E8
BALL	.500	.343	22	---

NOTES:

Shading indicates standard configurations.

For bushing accessories, see pages 69 and 70.

1 Additional ratings to 20A available. Consult factory.

2 For .187TAB (QC) type terminal use solder lug function selection codes. Add the suffix /.187TABS. (ex.) 2FA53-73/.187TABS