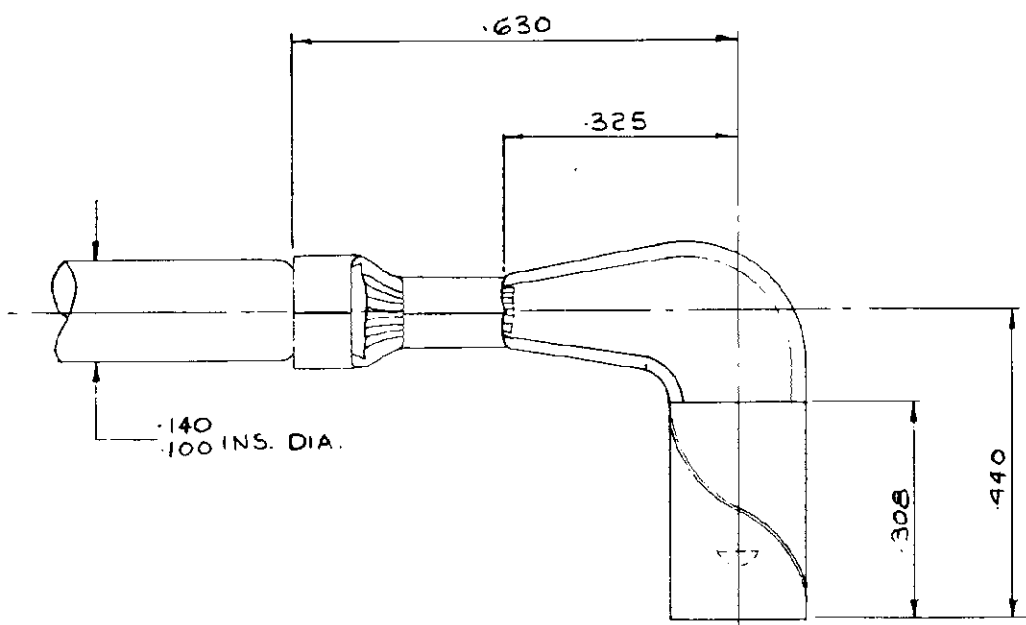


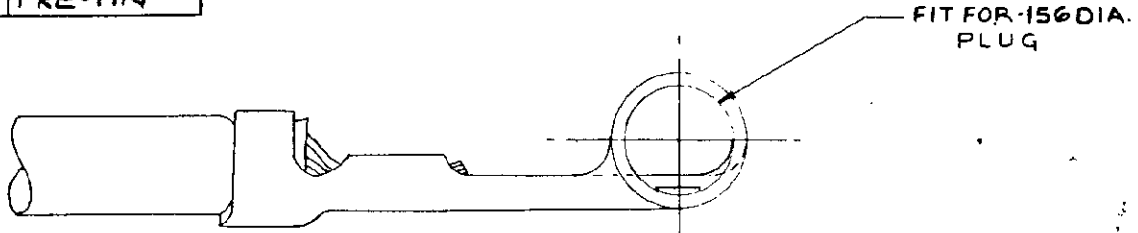
NUMBER C-150656

**C** AIRCRAFT-MARINE PRODUCTS (G.B.) LTD. 1963

**1** OBSOLETE PARTS: OBSOLETE CIS STREAMLINING PER D.RENAUD/D.SINISI



1-150656-2	REVERSE REELED PRE-TIN	OBSOLETE <b>1</b>
150656-2	PRE-TIN	



CUSTOMER COPY  
FOR REFERENCE ONLY

1-150656-1	REVERSE REELED
150656-1	NONE
PART No	FINISH.

MATERIAL 020 PHOS. BRONZE	HEAT TREAT ~	COATING OR PLATING ~
------------------------------	-----------------	-------------------------

UNLESS OTHERWISE SPECIFIED REMOVE BURRS. BREAK SHARP EDGES 1/64 R. MAX  
FRACTIONS ± 1/64 DECIMALS .000 = ± .005  
ANGLES: ± 0° 30' .0000 = ± .0005

FIRST USED	WIRE RANGE 20-16	CLASS WT-R	TYPE AUTOMATIC	SCALE 4:1
------------	---------------------	---------------	-------------------	--------------

P.P.P. AREA **AMP** AIRCRAFT-MARINE PRODUCTS (GREAT BRITAIN) LTD. LONDON, E.C.1.

DR. Seagrave 20.6.63	CHK. [Signature] 20.6.63	LOC. No	REV
APP	REL	<b>A</b>	<b>C1</b>

NAME WIRE TERMINAL SHUR PLUG RECEPTACLE

PRINT DIST DIMENSIONS IN INCHES DO NOT SCALE PRINT

C1	REV PER ECO-10-000444	KK AEG	08 JAN 10
C-2	# 1-2 ADDED.	15	20.06
D	1-1 ADDED.	20	11.11.75
A	100 and 3/0	20	31-1-76
LTR	REVISION RECORD	ECA	DR VCHN DATE