

## Specifications

Insulation Resistance: 1,000MΩ min. at 200V DC  
 Dielectric Withstanding Voltage: 200V AC for 1 minute  
 Contact Resistance: 30mΩ max. at 10mA/20mV max.  
 Operating Temperature Range: -40°C to +170°C

## Materials and Finish

Housing: Polyethersulphone (PES), glass-filled  
 Contacts: Beryllium Copper (BeCu)  
 Plating: Gold over Nickel

## Part Number (Details)

IC51 - 324 4 - 1331 - \*

Series No.

No. of Contact Pins

Number of Sides with Contacts

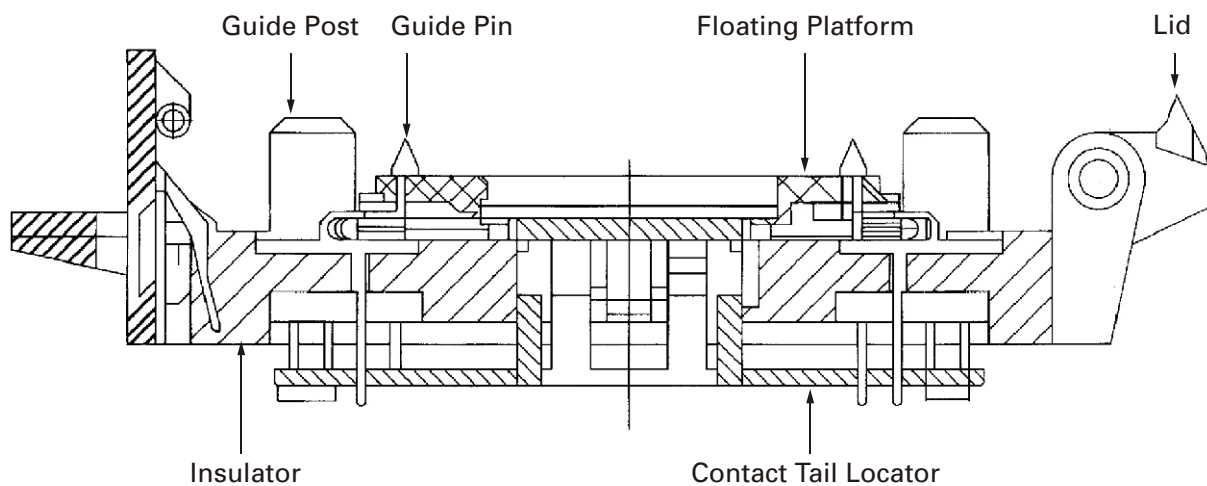
Design Number

## Features

Clamshell socket system for Tape Carrier



Example Cross sSection for a 35mm Tape – 0.4mm Pitch – 244 Pins



## Applicable TAB Sockets

Part Number	Tape Size	Pitch	Remarks
IC51-1964-1190	35mm	0.5 mm	
IC51-2444-1191	35mm	0.4 mm	
IC51-1884-1327-2	35mm	0.381 mm	
IC51-3244-1333	35mm	0.3 mm	
IC51-3244-1333-2	35mm	0.3 mm	Matching Carrier is TAB-35032 & TAB-35037
IC51-3884-1429	35mm	0.25 mm	
IC51-3244-1331	48mm	0.4 mm	
IC51-4364-1334	48mm	0.3 mm	
IC51-3244-1331-2	48mm	0.4 mm	Matching Carrier is TAB-48041
IC51-5324-1551	48mm	0.25 mm	
IC51-5324-1551-2	48mm	0.25 mm	Matching Carrier is TAB-48041
IC51-4364-1467	70mm	0.5 mm	
IC51-5484-1468	70mm	0.4 mm	
IC51-8844-1901	70mm	0.5 mm	

## Applicable Carriers

Part Number	Tape Size	Window Size	Super	Wide	Carrier Style
TAB-35006	35mm	24 mm	X		Hinge Type
TAB-35013	35mm	25.4 mm	X		1 Pc. Type
TAB-35015	35mm	24 mm	X		Hinge Type
TAB-35016	35mm	24 mm	X		Sandwich Type
TAB-35032	35mm	40 mm	X		Hinge Type
TAB-35037	35mm	40 mm	X		1 Pc. Type
TAB-48017	48mm	32.8 mm	X		Sandwich Type
TAB-48018	48mm	32.8 mm		X	Sandwich Type
TAB-48041	48mm	40 mm		X	1 Pc. Type
TAB-70022	70mm	52 mm		X	Sandwich Type