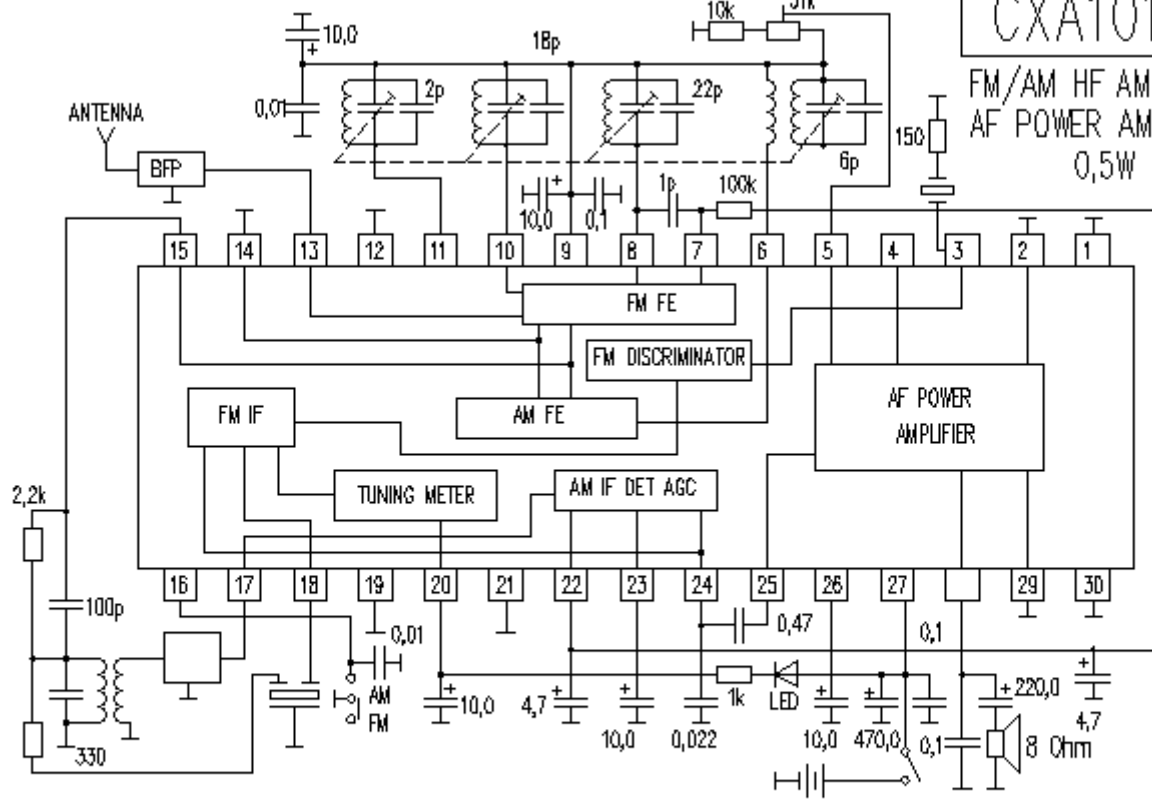


# CXA1019S

FM/AM HF AMPLIFIER  
AF POWER AMPLIFIER  
0,5W



VCC MAX = 9V  
VCC TYP = 6V  
VCC RNG = 2...8,5V

ICCD TYP = 7mA  
ICCD MAX = 14mA  
IMAX = -

Po = 0,5W  
RL = 8 Ohm  
TDH = 10%

RIN = -  
Gain = 31,5dB  
Noise = -

RTH-c = -  
Case SDIP30