

GSA684 PNP EPITAXIAL PLANAR TRANSISTOR

Description

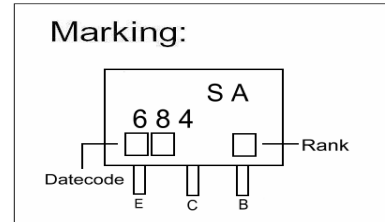
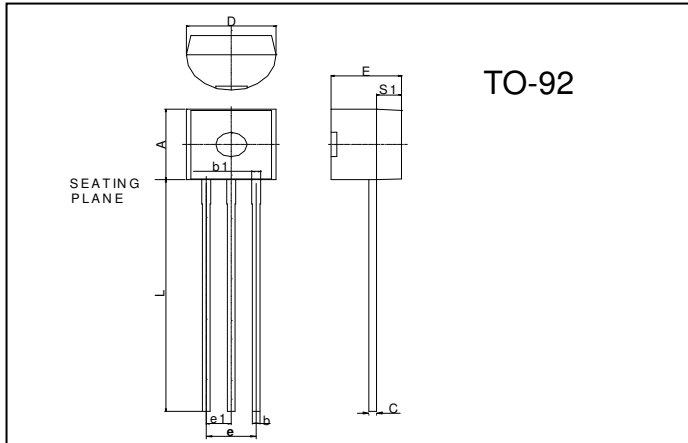
The GSA684 is designed for power amplifier and driver.

Features

*Low collector to emitter saturation voltage $V_{CE(sat)}$.

*Complementary pair with GSC1384

Package Dimensions



REF.	Millimeter		REF.	Millimeter	
	Min.	Max.		Min.	Max.
A	4.45	4.7	D	4.44	4.7
S1	1.02	-	E	3.30	3.81
b	0.36	0.51	L	12.70	-
b1	0.36	0.76	e1	1.150	1.390
C	0.36	0.51	e	2.42	2.66

Absolute Maximum Ratings (Ta = 25°C, unless otherwise specified)

Parameter		Ratings	Unit
Collector to Base Voltage	V_{CBO}	-60	V
Collector to Emitter Voltage	V_{CEO}	-50	V
Emitter to Base Voltage	V_{EBO}	-5	V
Collect Current(DC)	I_C	-1	A
Collect Current*(Pulse)	I_{CP}	-1.5	A
Junction Temperature	T_j	+150	°C
Storage Temperature Range	T_{STG}	-55 ~ +150	°C
Total Power Dissipation	P_D	1	W

ELECTRICAL Characteristics (Ta = 25°C, unless otherwise specified)

Symbol	Min.	Typ.	Max.	Unit	Test Conditions
V_{CBO}	-60	-	-	V	$I_C = -10\mu A, I_E = 0$
V_{CEO}	-50	-	-	V	$I_C = -2mA, I_B = 0$
V_{EBO}	-5	-	-	V	$I_E = -10\mu A, I_C = 0$
I_{CBO}	-	-	-0.1	μA	$V_{CB} = -20V, I_E = 0$
$V_{CE(sat)}$	-	-200	-400	mV	$I_C = -0.5A, I_B = -50mA$ (note)
$V_{BE(sat)}$	-	-0.85	-1.2	V	$I_C = -0.5A, I_B = -50mA$ (note)
* h_{FE1}	85	160	340		$V_{CE} = -10V, I_C = -500mA$ (note)
* h_{FE2}	50	100	-		$V_{CE} = -5V, I_C = -1A$ (note)
fT	-	200	-	MHz	$V_{CE} = -10V, I_B = -50mA, f = 200MHz$
Cob	-	11	20	pF	$V_{CB} = -10V, I_E = 0, f = 1MHz$

Note: Pulse measurement

Classification Of h_{FE1}

Rank	Q	R	S
Range	85-170	120-240	170-340

Important Notice:

- All rights are reserved. Reproduction in whole or in part is prohibited without the prior written approval of GTM.
- GTM reserves the right to make changes to its products without notice.
- GTM semiconductor products are not warranted to be suitable for use in life-support Applications, or systems.
- GTM assumes no liability for any consequence of customer product design, infringement of patents, or application assistance.

Head Office And Factory:

- Taiwan: No. 17-1 Tatung Rd. Fu Kou Hsin-Chu Industrial Park, Hsin-Chu, Taiwan, R. O. C.
- TEL : 886-3-597-7061 FAX : 886-3-597-9220, 597-0785
- China: (201203) No.255, Jang-Jiang Tsai-Lueng RD. , Pu-Dung-Hsin District, Shang-Hai City, China
- TEL : 86-21-5895-7671 ~ 4 FAX : 86-21-38950165