

AF-128128D

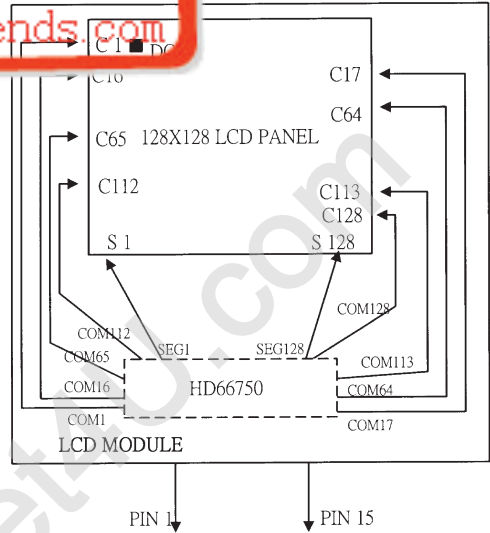
•128x128 dots 1/128 Duty

FEATURE

- 1.Construction : FSTN LCD panel and COF.
- 2.Driver : HD66750.
- 3.3.0V single power input.
- 4.Extended temperature type.
- 5.Optional temp. compensation circuit

液晶之友 电话: 020-33819057
Http://www.lcdfriends.com

BLOCK DIAGRAM & POWER SUPPLY

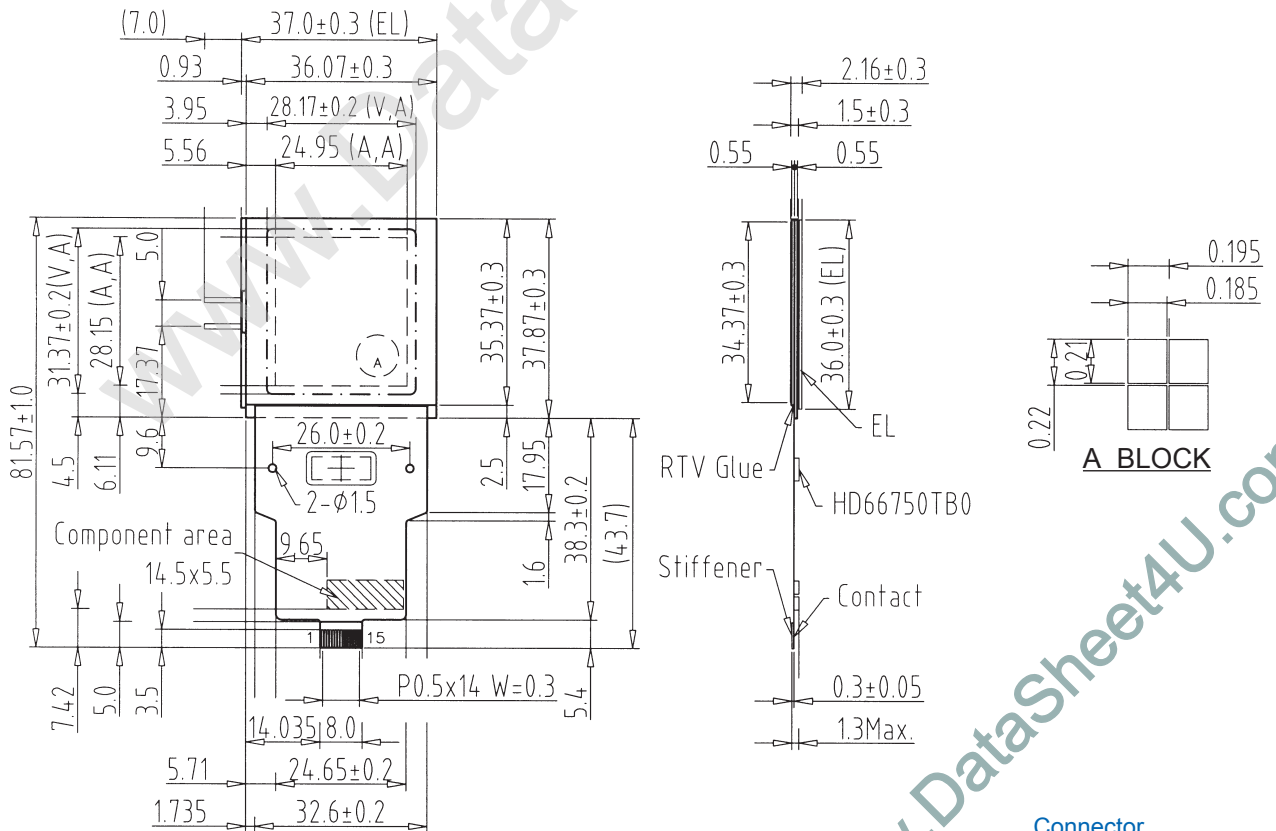


ELECTRICAL CHARACTERISTICS

Parameter	Symbol	Condition	Typ.Value	Unit.
LCD Driving Voltage	VLCD	25°C	12.65	V
Logic Supply Current	IDD	VDD=3.3V	0.2	mA

INTERFACE

1	2	3	4	5	6	7	8	9	10	11
VDD	D7	D6	D5	D4	D3	D2	D1	D0	/RES	CS
12	13	14	15							
A0	/WR	/RD	VSS							



Connector
CN1:Molex:52746-1590