



TDA7501

LINE-DRIVER FOR DIGITAL CARRADIO SIGNAL PROCESSOR (DSPLD)

■ INPUTS:

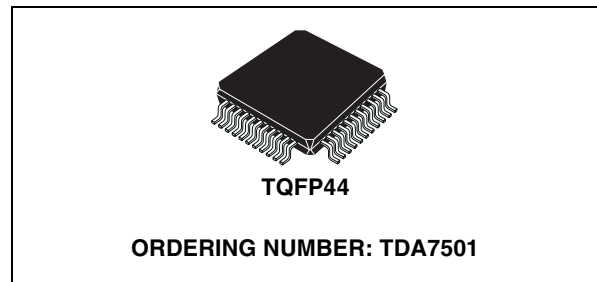
- QUASI DIFFERENTIAL STEREO INPUT FOR CD
- DIFFERENTIAL STEREO INPUTS FOR PHONE, NAVIGATION, FM, AM
- SINGLE-ENDED INPUT FOR CASSETTE-FOUR INDEPENDENT INPUT MULTIPLEXER AND GAIN STAGES
- ENVELOPE-DETECTOR FOR AM-NOISE-BLANKING
- MIXING OF PHONE AND NAVIGATION
- DC-CONNECTION TO DSP
- DUAL MPX INPUTS

■ OUTPUTS:

- 6 OUTPUT CHANNELS WITH INDEPENDENT VOLUME CONTROL
- 4 MAIN OUTPUT CHANNELS WITH ADDITIONAL INPUT SELECTOR FOR PHONE AND/OR NAVIGATION OR CD
- OUTPUTS LEVEL UP TO 4V rms
- AC-CONNECTION FROM DSP

■ DIGITAL CONTROL:

- SPI-BUS OR I²C BUS INTERFACE (SELECTABLE)



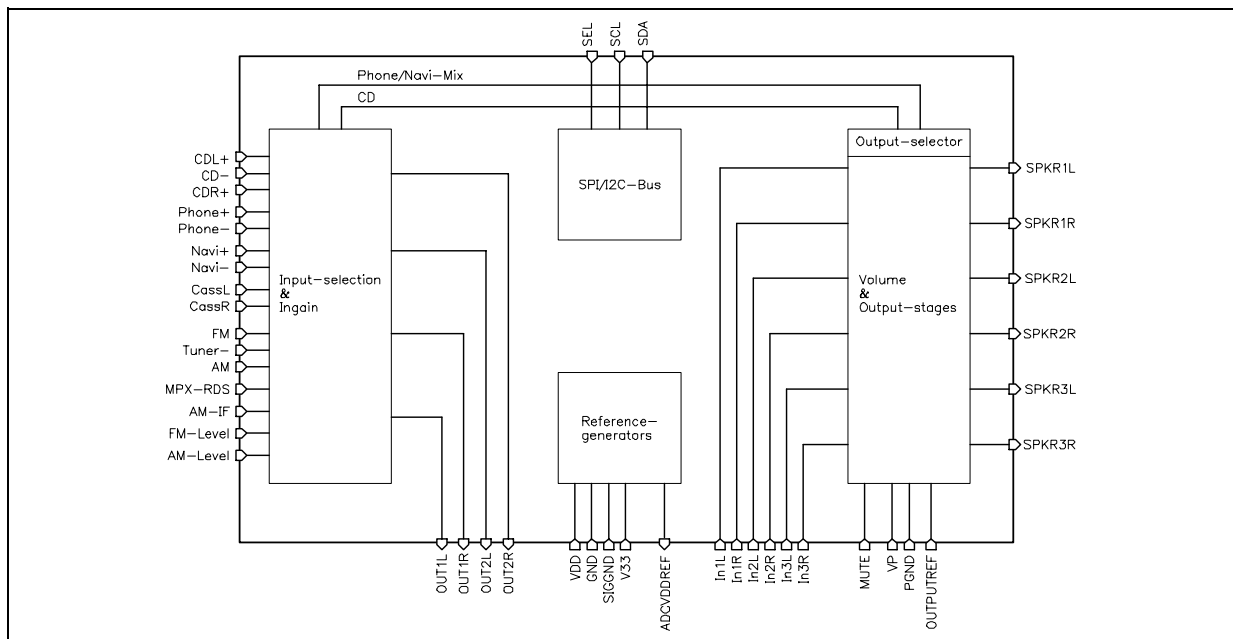
- DIRECT MUTE FOR THE OUTPUT STAGES AND/OR HIGH IMPEDANCE MPX MUTE

DESCRIPTION

The Linedriver handles all analog input- and output-signals for the Digital Carradio Signal Processor TDA7501. The device contains four independent input multiplexers to select the sources for the DSP's four AD-converters. Four additional gain stages allow an adaptation to run the ADCs in best S/N condition.

The six outputs have independent volume stages with a large dynamic range. Using a 12V-supply the outputs are able to drive up to 4Vrms .

BLOCK DIAGRAM



TDA7501

SUPPLY

| Symbol | Parameter | Test Condition | Min. | Typ. | Max. | Unit |
|------------------|--------------------------------|------------------------|------|------|------|------|
| V _{dd} | Supply Voltage | | 7.5 | 8.3 | 10 | V |
| V _P | Output Supply Voltage | | | 12 | | V |
| I _{S8} | Supply Current V _{dd} | V _{dd} = 8.3V | | 27 | | mA |
| I _{S12} | Supply Current V _P | V _P = 12V | | 5 | | mA |
| SVRR | Ripple Rejection @ 1kHz | | | 60 | | dB |

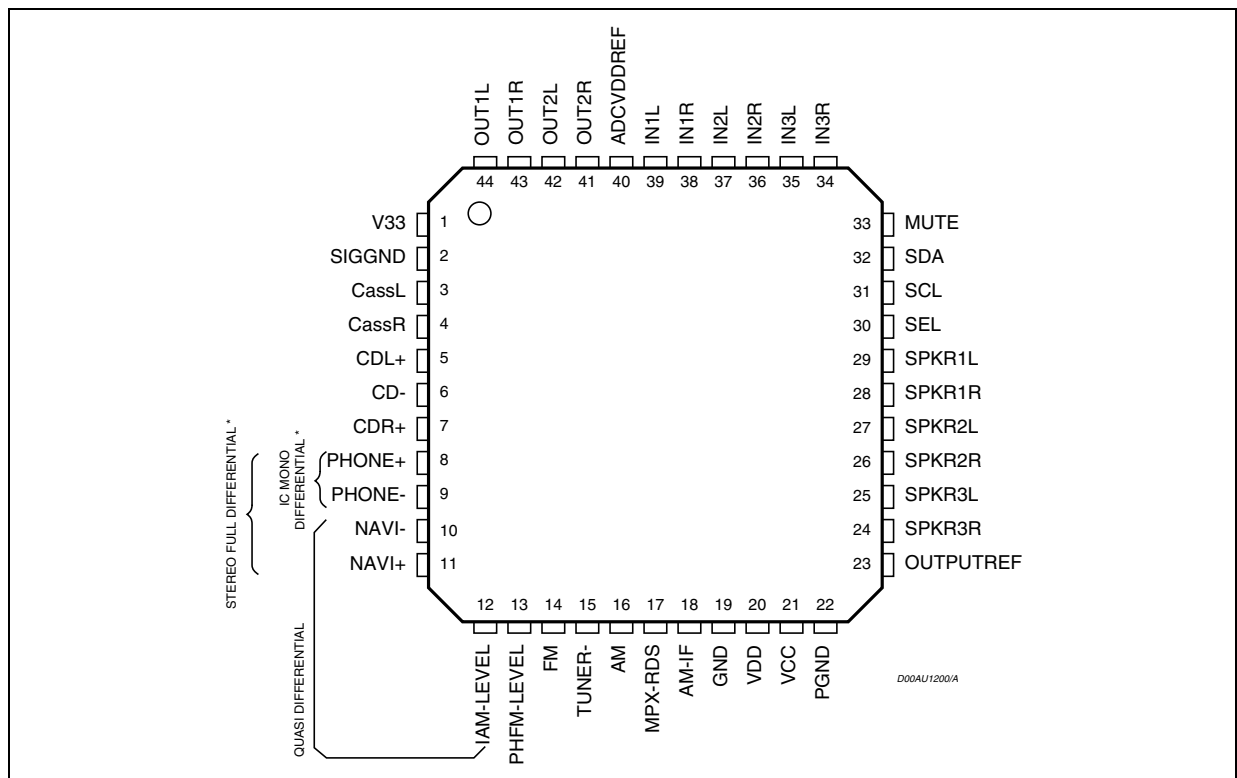
ABSOLUTE MAXIMUM RATINGS

| Symbol | Parameter | Value | Unit |
|--------------------|--|-------------|------|
| V _{DDmax} | Operating Supply Voltage V _{DD} | 10.5 | V |
| V _{Smax} | Operating Supply Voltage V _S | 13.0 | V |
| T _{amb} | Operating Temperature Range | -40 to 85 | °C |
| T _{stg} | Storage Temperature Range | -55 to +150 | °C |

ESD:

All pins are protected against ESD according to the MIL883 standard.

PIN CONNECTION (Top view)



THERMAL DATA

| Symbol | Parameter | Value | Unit |
|------------------------|---------------------------------------|-------|------|
| R _{th j-pins} | Thermal Resistance Junction-pins Max. | 65 | °C/W |

ELECTRICAL CHARACTERISTICS(V_{DD} = V_S = 8.3V; V₃₃ = 3.3V T_{amb} = 25°C; R_L = 10kΩ; all gains = 0dB; f = 1kHz; unless otherwise specified)

| Symbol | Parameter | Test Condition | Min. | Typ. | Max. | Unit |
|--|-------------------------------|---|------|-------|------|------------------|
| GENERAL | | | | | | |
| V _{CL} | Input Clipping Level | | | 2.3 | | V _{RMS} |
| S _{IN} | Input Separation | | 80 | 100 | | dB |
| G _{IN MIN} | Min. Input Gain - input part | | | 0 | | dB |
| G _{IN MAX} | Max. Input Gain - input part | | | 15 | | dB |
| | Max. Input Gain - output part | Volume 0dB | | 12 | | dB |
| G _{STEP} | Step Resolution | | | 1 | | dB |
| V _{DC} | DC Steps | Adjacent Gain Steps | | 0.5 | | mV |
| | | G _{MIN} to G _{MAX} | | 5 | | mV |
| d _{IN} | Distortion | V _{OUT} = 0.7V _{RMS} all stages 0dB | | 0.002 | 0.08 | % |
| V _{DCout} | Output DC-voltage | pins 41..44 | | 1.65 | | V |
| R _{out} | Output impedance OUT1L, 1R | pins 43..44 | | 300 | | Ω |
| | Output impedance OUT2L, 2R | pins 41..42 | | 3 | | kΩ |
| QUASI DIFFERENTIAL CD STEREO INPUT (non inverting) | | | | | | |
| R _{in} | Input Resistance (see Fig. 2) | Differential | 70 | 100 | 130 | kΩ |
| CMRR | Common Mode Rejection Ratio | V _{CM} = 1V _{RMS} @ 1kHz | 45 | 70 | | dB |
| | | V _{CM} = 1V _{RMS} @ 10kHz | 45 | 60 | | dB |
| V _N | Output-Noise | 20Hz - 20kHz; unweighted | | 2.0 | | μV |
| DIFFERENTIAL PHONE/NAVIGATION/FM/AM INPUT (inverting) | | | | | | |
| R _{in} | Input Resistance (see Fig. 3) | | 35 | 50 | 65 | kΩ |
| CMRR | Common Mode Rejection Ratio | V _{CM} = 1V _{RMS} @ 1kHz | 40 | 70 | | dB |
| | | V _{CM} = 1V _{RMS} @ 10kHz | 40 | 60 | | dB |
| V _N | Output-Noise | 20Hz - 20kHz; unweighted | | 2.0 | | μV |
| AM IF INPUT | | | | | | |
| R _{in} | Input Resistance | | 35 | 50 | 65 | kΩ |
| CASSETTE INPUT (non inverting) | | | | | | |
| R _{in} | Input Resistance | | 70 | 100 | 130 | kΩ |
| V _N | Output-Noise | 20Hz - 20kHz; unweighted | | 2.0 | | μV |
| AM/FM-LEVEL INPUT | | | | | | |
| R _{in} | Input Resistance | | 70 | 100 | 130 | kΩ |
| V _{min} | Minimum Input Voltage | | -0.4 | | | V |
| V _{max} | Maximum Input Voltage | | | | 7.0 | V |
| Dual MPX control (pin TUNER-) | | | | | | |
| V _{CTRLMPX1} | Control voltage for MPX 1+2 | MPX1 -> MPX1 + MPX2 | | 1.5 | | V |
| V _{CTRLMPX2} | Control voltage for MPX2 | MPX1 + MPX1 -> MPX2 | | 4.0 | | V |
| V _{CTRLMPX3} | Control voltage for MPX 1+2 | MPX2 -> MPX1 + MPX2 | | 3.5 | | V |
| V _{CTRLMPX4} | Control voltage for MPX1 | MPX1 + MPX2 -> MPX2 | | 1.0 | | V |
| SPEAKER OUTPUTS RLOAD = 10KW (AC) | | | | | | |
| R _{in} | Input Impedance | | 35 | 50 | 65 | kΩ |
| G _{MAX} | Max. Gain | external reference mode | | 33 | | dB |
| ATT _{MAX} | Max. Attenuation | internal reference mode | | -73 | | dB |

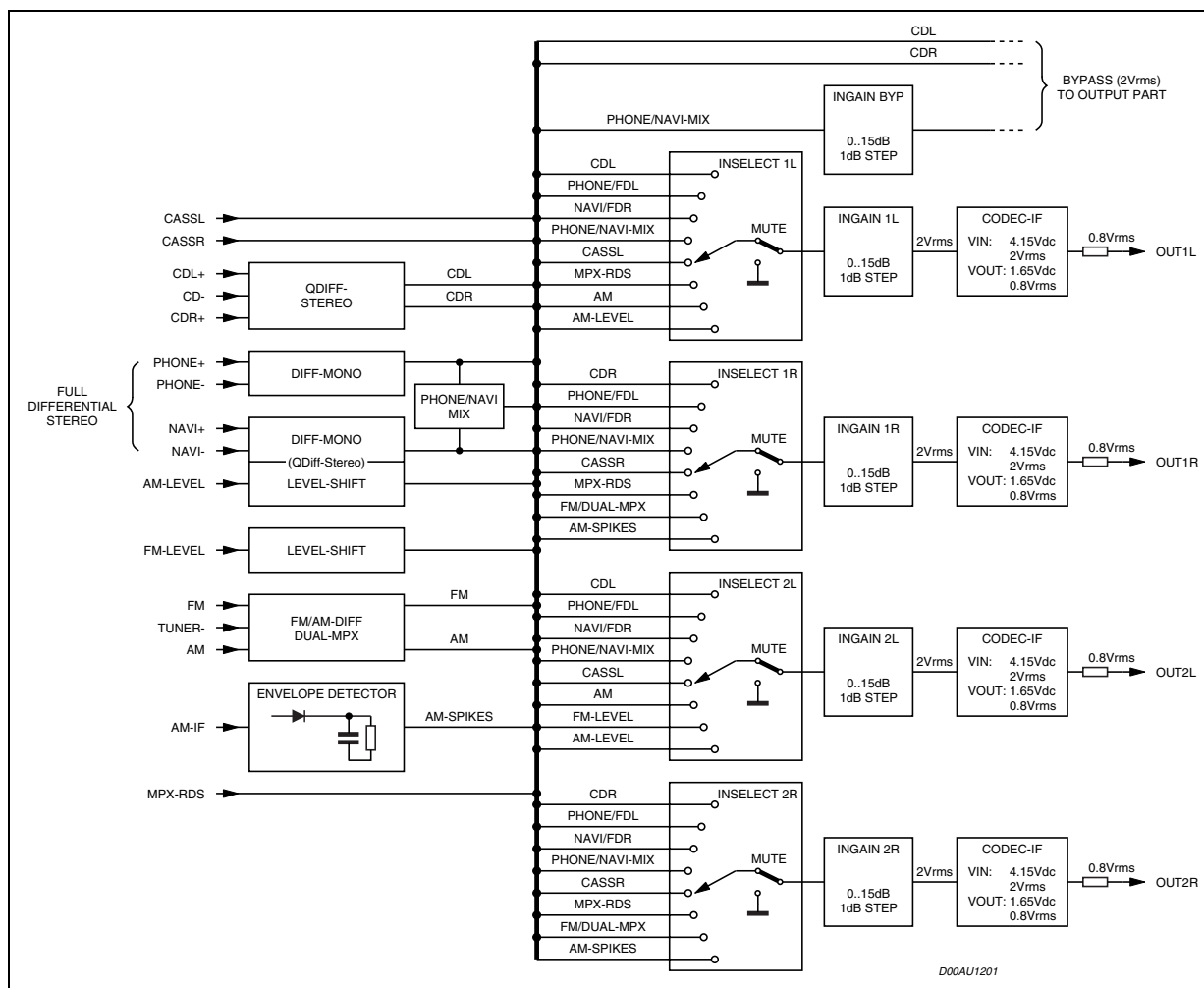
ELECTRICAL CHARACTERISTICS (continued)(V_{DD} = V_S = 8.3V; V₃₃ = 3.3V T_{amb} = 25°C; R_L = 10kΩ; all gains = 0dB; f = 1kHz; unless otherwise specified)

| Symbol | Parameter | Test Condition | Min. | Typ. | Max. | Unit |
|------------------------------------|-------------------------------|--|------|------------------------|----------------------|--------------------------------------|
| ATT _{STEP} | Step Resolution | | | 1 | | dB |
| ATT _{MUTE} | Output Mute Attenuation | | 80 | 100 | | dB |
| E _E | Attenuation Set Error | from +15 to -40dB | | | 2 | dB |
| V _{DC} | DC Steps | Adjacent Attenuation Steps | | 0.3 | 3 | mV |
| V _{DCOUT} | Output DC-voltage | internal reference mode | | 4.15 | | V |
| | | external reference mode | | outref | | V |
| V _{CLIP} | Output Clipping Level | d = 0.3%, V _{CC} = V _{DD} = 8.3V gain = 0dB gain = 6dB | | 2.3 2.8 | | V _{RMS} V _{RMS} |
| | | d = 0.3%, V _{CC} = 12V V _{DD} = 8.3V gain = 6dB | | 4 | | V _{RMS} |
| R _L | Output Load Resistance | AC-coupled | 5 | | | kΩ |
| C _L | Output Load Capacitance | | | | 10 | nF |
| R _{OUT} | Output Impedance | | | 40 | 120 | Ω |
| V _N | Output Noise | BW = 20Hz-20kHz muted 0dB muted 6dB gain = 0dB gain = 6dB | | 3.0 7.5 10 13 | | μV μV μV μV |
| S/N | Signal to Noise Ratio | BW = 20Hz-20kHz V _O = 2V _{RMS} V _O = 4V _{RMS} | | 106 110 | | dB dB |
| d _{out} | distortion | V _{OUT} = 1V _{RMS} ; all stages 0dB | | 0.005 | 0.08 | % |
| S _C | Channel Separation left/right | | 80 | 100 | | dB |
| X | Crosstalk | | 80 | 100 | | dB |
| ADCVDDREF (CODEC reference) | | | | | | |
| I _{maxadc} | Max. Output Current | pin 40 | | | 5 | mA |
| BUS INPUTS | | | | | | |
| V _{low} | Voltage for logic "0 | "inputs SEL, SCL,SDA,MUTE | | | 0.8 | V |
| V _{high} | Voltage for logic "1 | "inputs SEL, SCL,SDA,MUTE | 2.4 | | | V |
| V _{th_SPI} | SPI_mode threshold voltage | i | 0 | | V _{DD} -1.8 | V |

DESCRIPTION OF THE INPUT PART

On the input side, the TDA7501 (see figure 1) connects the external audio- and tuner-signals to the four AD-converters of the Digital Carradio Signal Processor TDA7500. The audio signals are adjusted by the input gain stage to the internal reference signal with 2V rms referred to 4.15V ($=V_{33} \cdot 1.2575$). The following CODEC-interface attenuates the $2V_{RMS}$ to $0.8V_{rms}$ referred to the CODEC's reference voltage of 1.65V which allows a DC-coupling to the TDA7500.

Figure 1. Input part.



Input Stages

The device offers several input stages for the different signals which have to be handled by the system. A quasi differential input (see figure 2) can be used for (external) CD-changer. The two mono differential inputs allow the connection of Phone and Navigation (see figure 3) or it could be used as fully differential stereo input. Additionally a single-ended stereo input is available for Cassette applications. The lower part of the input section is dedicated to the tuner signals. Another quasi differential input (see figure 4) is used to connect AM and FM referred to the tuner reference (Tuner-). This concept supports also double tuner systems. Also two separate level inputs are present which are followed by level-shifters to allow the use of the TDA7501's ADCs. For AM noise blanking an envelope-detector driven by the AM-IF is also available.

Figure 2. Quasi differential input-stage.

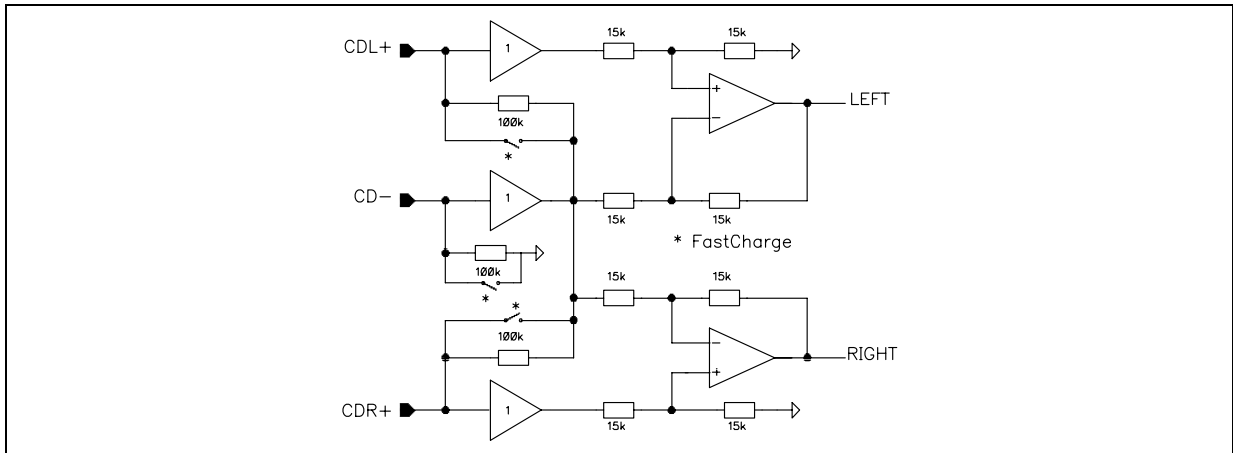


Figure 3. Mono differential input-stage.

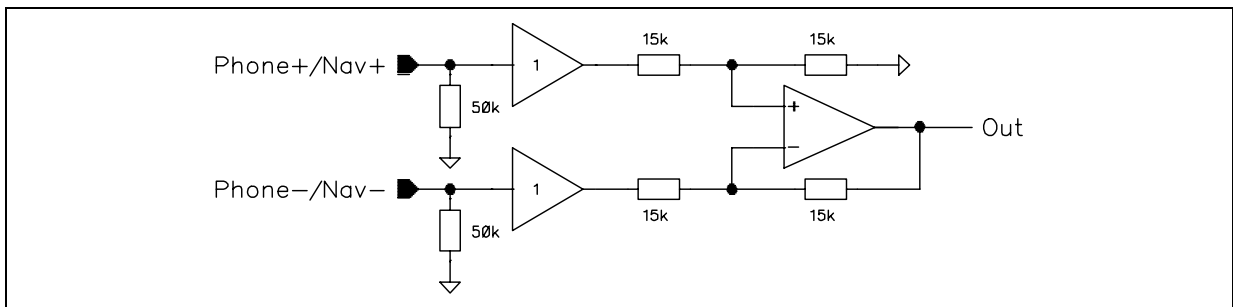
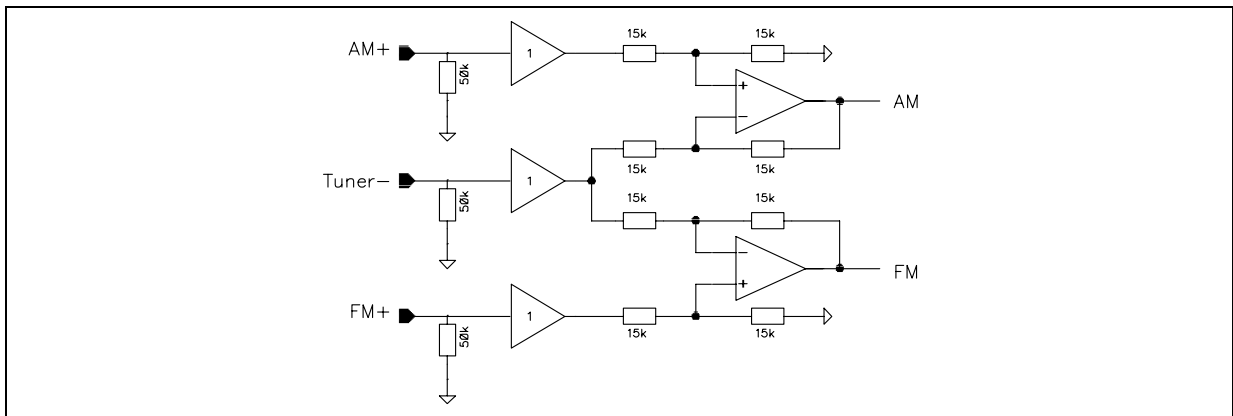


Figure 4. Differential input-stage for AM/FM.



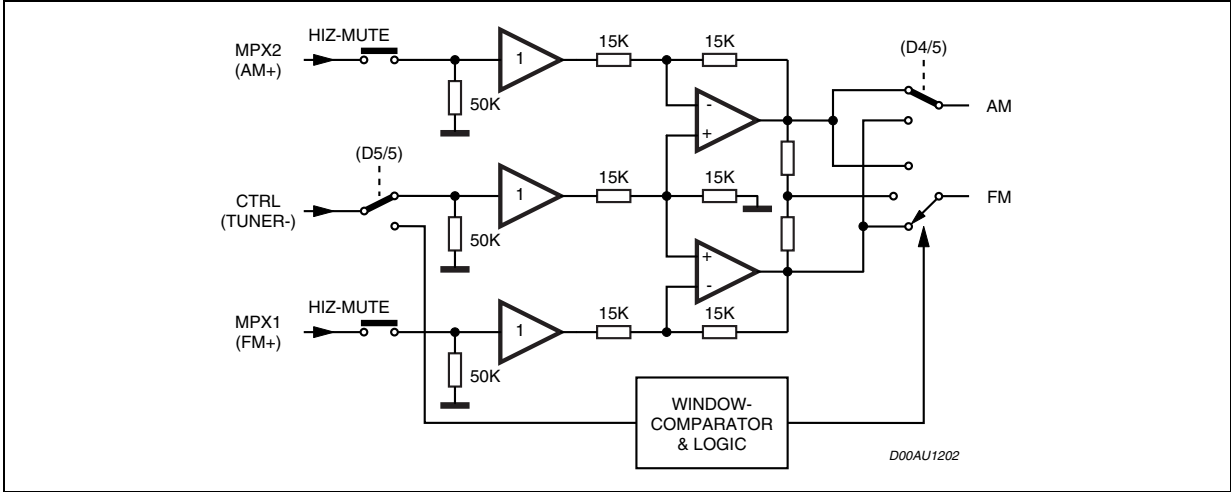
Dual MPX mode

The TDA7501 is able to support a twin tuner concept via the Dual-MPX-Mode. In this configuration the FM-pin and the AM-pin are acting as MPX1 and MPX2 inputs. The DC-Voltage at the TUNER- -pin controls whether MPX1, both MPX-signals or MXX2 is used to decode the stereo FM-signal (see figure 4 Please note that the thresholds have a hysteresis of 500mV. During this mode the high ohmic-mute acts on both inputs in parallel.

Furthermore, a background tuner on the internal AM-path can be selected by software aswitching to one of the two MPX-inputs.

For the programming of the Dual-MPX-Mode see the programming section.

Figure 5. Block diagram Dual MPX.

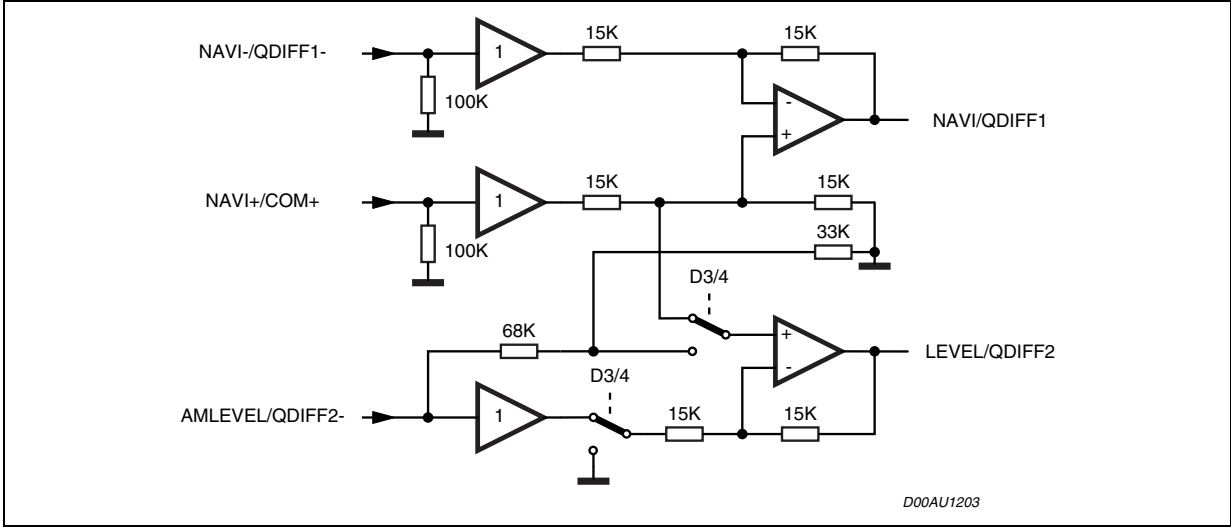


Additional Quasi differential Input

The TDA7501 can be programmed to additional quasi-differential input by rearranging the configuration of the navigation and AM level inputs. Since the AM level input becomes the 2nd differential input, the level shift function is not available.

For the programming of the navigation/AM level input configuration see the programming section.

Figure 6. Additional quasi differential input simplified



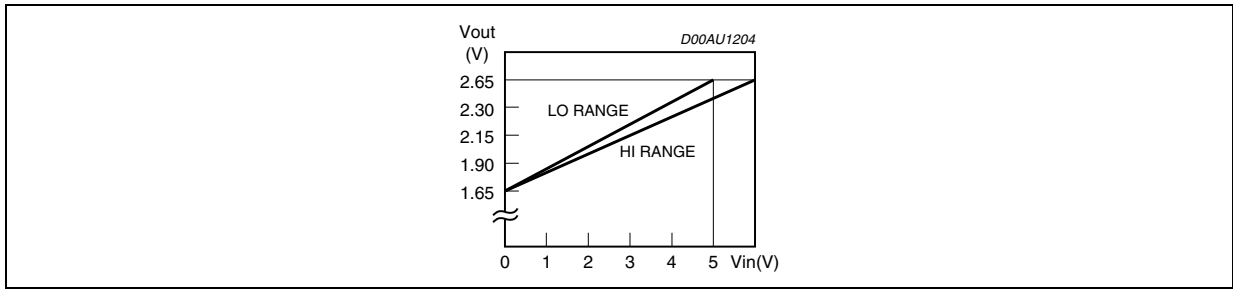
Transfer function of the AM/FM level inputs

In the TDA7501 two level shift stages convert a tuner level (DC) signal to a unipolar output signal with respect to the Codec Interface reference, that is 1.65V.

The FM level input can be programmed to a signal range of either 0 to 5V (Lo-range) which is the default, or 0 to 6V (Hi range). The AM level input is fixed to the lower 0 to 5V input range.

For the programming of the FM level input range see the programming section.

Figure 7. AM/FM level inputs transfer function (DC)

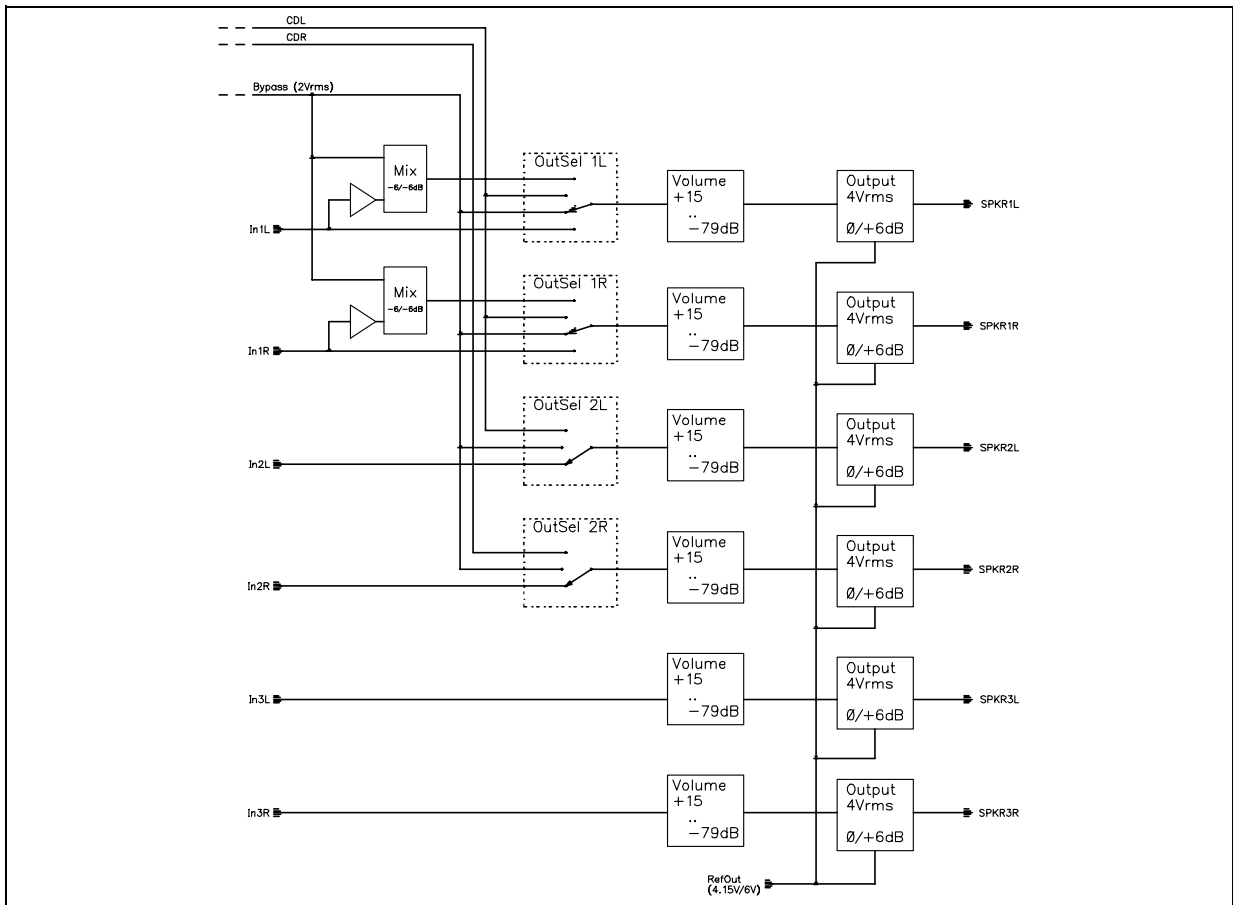


DESCRIPTION OF THE OUTPUT PART

The TDA7501 has 6 independent outputstage with volume control. The first 4 (main) outputs have an input selector which allows to select besides the DAC-outputs CD-direct or Phone/Navigation-mix. In addition one can mix the SPKR1 with Phone/Navigation so that traffic or navigation announcements can bypass the DSP (see figure 8).

The TDA7500 CODEC outputs have a maximum output voltage of $0.5V_{rms}$. To obtain $4V_{rms}$, (in the dual supply mode only) the signal is first amplified to have a reference amplitude of $2V_{rms}$. The following volume stage offers up to 15dB gain which gives along with the programmable 6dB gain in the output-stage enough overdrive capability. To achieve the maximum output swing of $4V_{rms}$ the device must be supplied with an additional supply of 12V. With a single supply ($V_{dd} = V_{CC} = 8.3V$) $2.8V_{rms}$ are obtained at the output at maximum.

Figure 8. Output part.



REFERENCE CONCEPT

For the input section the TDA7501 generates the internal reference voltage by multiplying the V33 voltage by 1.2575.

The V33 voltage is also buffered and fed back to the CODEC where it is used to generate all necessary references. For best performance it is recommended to filter the V33 reference pin by means of a passive second order lowpass as shown in figure 11. This concept allows a direct DC coupling between the TDA7501 and the DSP because of the accurate matching of DC levels. On the output side the TDA7501 offers two main modes: a single supply and a dual supply mode.

Dual supply mode

In this mode the outputs are able to provide up to 4V rms with a minimum supply V_{CC} of 12V as well as a output reference voltage set to half of V_{CC} (bit D0 of the mode select byte set to '1').

If the switch D1/byte mode select is open the output reference voltage must be defined externally e.g. a zener diode with RC-lowpass.

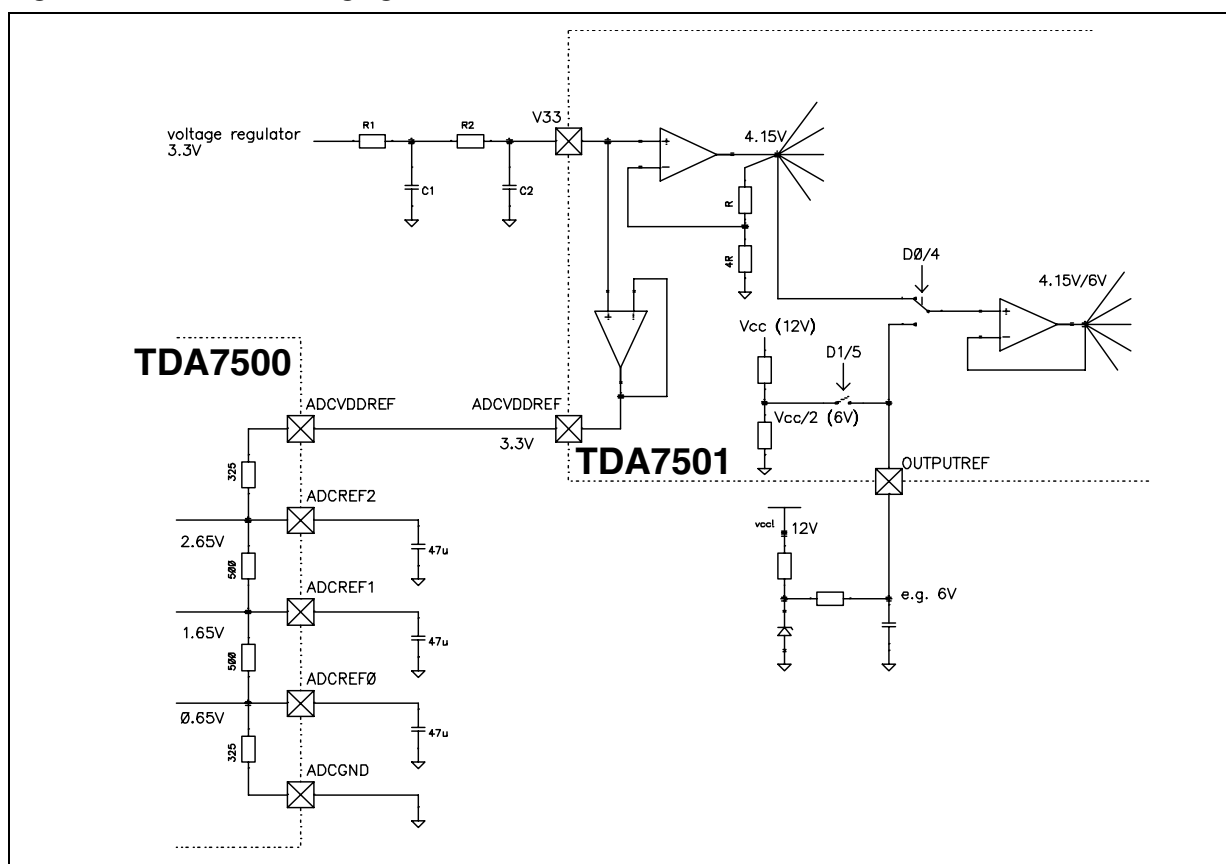
If the switch is closed the reference voltage will be half of V_{CC} and only an external capacitor has to be added.

Single supply mode

If V_{CC} and V_{dd} are connected to a single supply the maximum possible output swing is about 2.8V rms .

The output reference voltage pin can be left open or otherwise the internal voltage divider can be used to generate for the outputs a $V_{CC}/2$ reference.

Figure 11. Reference voltage generation



DIGITAL INTERFACE

The TDA7501 digital interface offers two different protocols: SPI and I2C.

To select I2C-mode the SEL-pin has to be connected to VDD. If the voltage at the SEL-pin is more than about 1V below the VDD voltage the interface switches to SPI-mode.

In both cases the interface is able to work with a 3.3V microprocessor as well as with a 5V microprocessor. For details of both protocols refer to the programming section.

SPI BUS MODE

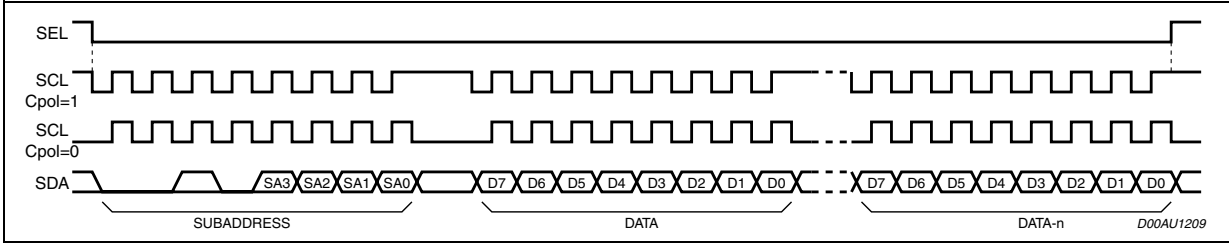
Interface protocol

The TDA7501 SPI interface protocol comprises :

- a subaddress and
 - a sequence of n databytes
- each consisting of 8 bits (see figure 12).

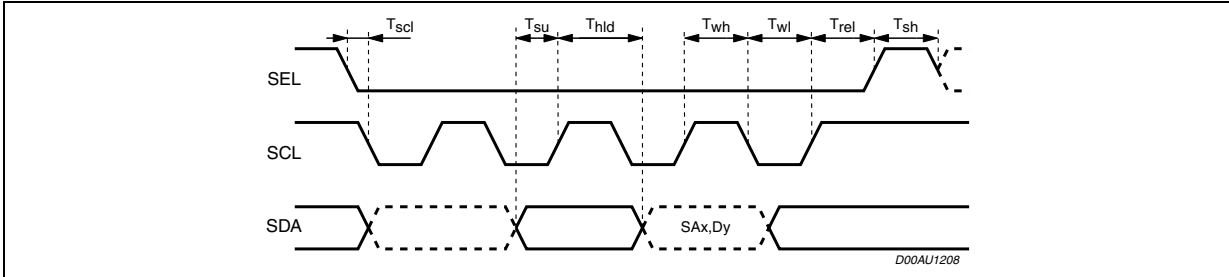
The interface accepts both a positiv (Cpol = 1, Cpha = 1) as well as a negativ (Cpol = 0, Cpha = 0) clocking scheme. However, the data transmitted has to be valid on the rising edges of the serial clock SCL.

Figure 12. Timing diagram for the SPI bus mode.



Switching characteristics (SPI mode)

| Symbol | Parameter | Min. | Typ. | Max. | Unit |
|-------------------|--|------|------|------|------|
| f _{SCLK} | Serial input clock frequency (SCL) | 0 | | 4.0 | MHz |
| T _{su} | Serial data setup time | 40 | | | ns |
| T _{hld} | Serial data hold time | 40 | | | ns |
| T _{wh} | Serial clock high time width | 100 | | | ns |
| T _{wl} | Serial clock low time width | 100 | | | ns |
| T _{scl} | Select (SEL) to select (SCL) falling setup time | 200 | | | ns |
| T _{rel} | Select (SCL) to select (SEL) rising release time | 200 | | | ns |
| t _r | Data rise time | | | 2 | ms |
| t _f | Data fall time | | | 2 | ms |
| T _{sh} | Chip select high time | 200 | | | ns |



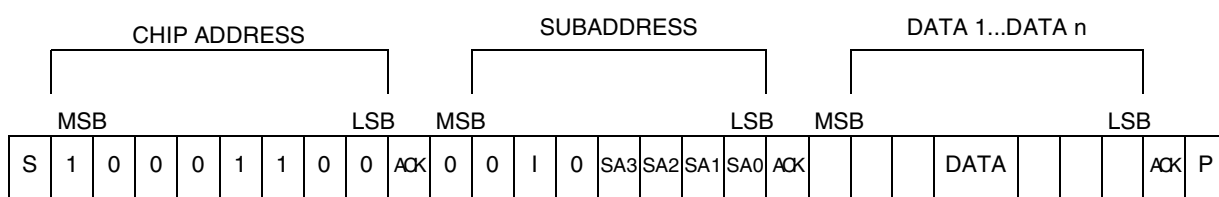
I²C BUS MODE

Interface Protocol

The interface protocol comprises:

- -
- a start condition (S)
- a chip address byte (write mode only)
- a subaddress byte
- a sequence of data (N-bytes + acknowledge)
- a stop condition (P)

Switching Characteristics (SPI mode)



ACK = Acknowledge
 S = Start
 P = Stop

SOFTWARE SPECIFICATION FOR BOTH MODES

Auto increment

If bit I in the subaddress byte is set to "1", the autoincrement of the subaddress is enabled.

Reset condition

A Power-On-Reset is invoked if the Supply-Voltage V_{dd} is below than 3.5V. After POR the following data is written automatically into the registers of all subaddresses :

| | | | | | | | |
|------------|---|---|---|---|---|---|------------|
| MSB | | | | | | | LSB |
| 1 | 1 | 1 | 1 | 1 | 1 | 1 | 0 |

The programming after POR is marked bold-face in the programming tables.

With this programming all the outputs are muted to their corresponding reference voltages.

Subaddresses

| MSB | | | | LSB | | | | Name |
|-----|----|---|----|-----|-----|-----|-----|------------------------|
| D7 | D6 | I | D4 | SA3 | SA2 | SA1 | SA0 | |
| | | | | 0 | 0 | 0 | 0 | Input selector 1L |
| | | | | 0 | 0 | 0 | 1 | Input selector 1R |
| | | | | 0 | 0 | 1 | 0 | Input selector 2L |
| | | | | 0 | 0 | 1 | 1 | Input selector 2R |
| | | | | 0 | 1 | 0 | 0 | Phone/Navigation |
| | | | | 0 | 1 | 0 | 1 | Mode Select |
| | | | | 0 | 1 | 1 | 0 | Configuration |
| | | | | 0 | 1 | 1 | 1 | Output selector |
| | | | | 1 | 0 | 0 | 0 | Volume 1L |
| | | | | 1 | 0 | 0 | 1 | Volume 1R |
| | | | | 1 | 0 | 1 | 0 | Volume 2L |
| | | | | 1 | 0 | 1 | 1 | Volume 2R |
| | | | | 1 | 1 | 0 | 0 | Volume 3L |
| | | | | 1 | 1 | 0 | 1 | Volume 3R |
| | | | | 1 | 1 | 1 | 0 | FM-level |
| | | | | 1 | 1 | 1 | 1 | reserved |
| | | 0 | | | | | | Autoincrement mode off |
| | | 1 | | | | | | Autoincrement mode on |
| 0 | 0 | | 0 | | | | | must be "0" |

Input selector 1L..3R, bits D7 ..D3 (subaddresses 0..3)

| MSB | | | | LSB | | | | Function |
|-----|----|----|----|-----|----|----|----|-------------|
| D7 | D6 | D5 | D4 | D3 | D2 | D1 | D0 | |
| | | | | 0 | | | | mute |
| | | | | 1 | | | | off |
| | | | | | | | | on |
| 0 | 0 | 0 | 0 | | | | | gain |
| 0 | 0 | 0 | 1 | | | | | 15dB |
| 0 | 0 | 1 | 0 | | | | | 14dB |
| 0 | 0 | 1 | 1 | | | | | 13dB |
| 0 | 1 | 0 | 0 | | | | | 12dB |
| 0 | 1 | 0 | 1 | | | | | 11dB |
| 0 | 1 | 1 | 0 | | | | | 10dB |
| 0 | 1 | 1 | 1 | | | | | 9dB |
| 1 | 0 | 0 | 0 | | | | | 8dB |
| 1 | 0 | 0 | 1 | | | | | 7dB |
| 1 | 0 | 1 | 0 | | | | | 6dB |
| 1 | 0 | 1 | 1 | | | | | 5dB |
| 1 | 1 | 0 | 0 | | | | | 4dB |
| 1 | 1 | 0 | 1 | | | | | 3dB |
| 1 | 1 | 1 | 0 | | | | | 2dB |
| 1 | 1 | 1 | 1 | | | | | 1dB |
| 1 | 1 | 1 | 1 | | | | | 0dB |

Input selector 1L, bits D2 ..D0 (subaddresses 0)

| MSB | | | | LSB | | | | Function |
|-----|----|----|----|-----|----|----|----|-----------------------------|
| D7 | D6 | D5 | D4 | D3 | D2 | D1 | D0 | |
| | | | | | 0 | 0 | 0 | source select CDL |
| | | | | | 0 | 0 | 1 | Phone/FDL |
| | | | | | 0 | 1 | 0 | Navigation/FDR |
| | | | | | 0 | 1 | 1 | Phone/Navigation mix |
| | | | | | 1 | 0 | 0 | CassL |
| | | | | | 1 | 0 | 1 | MPX-RDS |
| | | | | | 1 | 1 | 0 | AM |
| | | | | | 1 | 1 | 1 | AM-level |

Input selector 1R, bits D2 ..D0 (subaddresses 1)

| MSB | | | | LSB | | | | Function |
|-----|----|----|----|-----|----|----|----|---|
| D7 | D6 | D5 | D4 | D3 | D2 | D1 | D0 | |
| | | | | | 0 | 0 | 0 | source select CDR |
| | | | | | 0 | 0 | 1 | Phone/FDL |
| | | | | | 0 | 1 | 0 | Navigation/FDR |
| | | | | | 0 | 1 | 1 | Phone/Navigation mix |
| | | | | | 1 | 0 | 0 | CassR |
| | | | | | 1 | 0 | 1 | MPX-RDS |
| | | | | | 1 | 1 | 0 | FM (or MPX1/MPX2 in Dual MPX mode) |
| | | | | | 1 | 1 | 1 | AM-spikes |

Input selector 2L, bits D2 ..D0 (subaddresses 2)

| MSB | | | | LSB | | | | Function |
|-----|----|----|----|-----|----|----|----|-----------------------------|
| D7 | D6 | D5 | D4 | D3 | D2 | D1 | D0 | |
| | | | | | 0 | 0 | 0 | source select CDL |
| | | | | | 0 | 0 | 1 | Phone/FDL |
| | | | | | 0 | 1 | 0 | Navigation/FDR |
| | | | | | 0 | 1 | 1 | Phone/Navigation mix |
| | | | | | 1 | 0 | 0 | CassL |
| | | | | | 1 | 0 | 1 | AM |
| | | | | | 1 | 1 | 0 | FM-level |
| | | | | | 1 | 1 | 1 | AM-level |

Input selector 2R, bits D2 ..D0 (subaddresses 3)

| MSB | | | | LSB | | | | Function |
|-----|----|----|----|-----|----|----|----|---|
| D7 | D6 | D5 | D4 | D3 | D2 | D1 | D0 | |
| | | | | | 0 | 0 | 0 | source select CDR |
| | | | | | 0 | 0 | 1 | Phone/FDL |
| | | | | | 0 | 1 | 0 | Navigation/FDR |
| | | | | | 0 | 1 | 1 | Phone/Navigation mix |
| | | | | | 1 | 0 | 0 | CassR |
| | | | | | 1 | 0 | 1 | MPX-RDS |
| | | | | | 1 | 1 | 0 | FM (or MPX1/MPX2 in Dual MPX mode) |
| | | | | | 1 | 1 | 1 | AM-spikes |

Phone navigation (subaddress 4)

| MSB | | LSB | | | | | | Function |
|-----|----|-----|----|----|----|----|----|---|
| D7 | D6 | D5 | D4 | D3 | D2 | D1 | D0 | |
| | | | | | 0 | 0 | 0 | mix level phone/navigation 0/mute |
| | | | | | 0 | 0 | 1 | -1.6dB/-15.5dB |
| | | | | | 0 | 1 | 0 | -3.6/-9.6dB |
| | | | | | 0 | 1 | 1 | -6/-6dB |
| | | | | | 1 | 0 | 0 | -9.6/-3.6dB |
| | | | | | 1 | 0 | 1 | -15.5/-1.6dB |
| | | | | | 1 | 1 | 0 | mute/0dB |
| | | | | | 1 | 1 | 1 | mute |
| | | | | 0 | | | | Input configuration quasidifferential input (no level shift function) |
| | | | | 1 | | | | Navi & AM Level input |
| 0 | 0 | 0 | 0 | | | | | gain 15dB |
| 0 | 0 | 0 | 1 | | | | | 14dB |
| 0 | 0 | 1 | 0 | | | | | 13dB |
| 0 | 0 | 1 | 1 | | | | | 12dB |
| 0 | 1 | 0 | 0 | | | | | 11dB |
| 0 | 1 | 0 | 1 | | | | | 10dB |
| 0 | 1 | 0 | 0 | | | | | 9dB |
| 0 | 1 | 1 | 1 | | | | | 8dB |
| 1 | 0 | 0 | 0 | | | | | 7dB |
| 1 | 0 | 0 | 1 | | | | | 6dB |
| 1 | 0 | 1 | 0 | | | | | 5dB |
| 1 | 0 | 1 | 1 | | | | | 4dB |
| 1 | 1 | 0 | 0 | | | | | 3dB |
| 1 | 1 | 0 | 1 | | | | | 2dB |
| 1 | 1 | 0 | 0 | | | | | 1dB |
| 1 | 1 | 1 | 1 | | | | | 0dB |

Mode select (subaddress 5)

| MSB | | LSB | | | | | | Function |
|-----|----|-----|----|----|----|----|----|---|
| D7 | D6 | D5 | D4 | D3 | D2 | D1 | D0 | |
| | | | | | | 0 | 0 | AM-IF rectifier gain 18dB |
| | | | | | | 0 | 1 | 15.5dB |
| | | | | | | 1 | 0 | 12dB |
| | | | | | | 1 | 1 | 6dB |
| | | | | 0 | 0 | | | AM-IF rectifier corner frequency 14KHz |
| | | | | 0 | 1 | | | 18.5KHz |
| | | | | 1 | 0 | | | 28KHz |
| | | | | 1 | 1 | | | 56KHz |
| | | | 0 | | | | | background tuner select (internal AM-path) FM-in (MPX1) |
| | | | 1 | | | | | AM-in (MPX2) |
| | | 0 | | | | | | Dual MPX mode on (control through Tuner- - voltage) |
| | | 1 | | | | | | off |
| 0 | 0 | | | | | | | forced Dual MPX mode MPX1 (allows automatic selection) |
| 0 | 1 | | | | | | | MPX2 (overwrites automatic selection) |
| 1 | 0 | | | | | | | MPX1+ MPX2 (overwrites automatic selection) |
| 1 | 1 | | | | | | | MPX1 (overwrites automatic selection) |

TDA7501

Configuration (subaddress 6)

| MSB | | | | LSB | | | | Function |
|-----|----|----|----|-----|----|--------|--------|--|
| D7 | D6 | D5 | D4 | D3 | D2 | D1 | D0 | |
| | | | | | | | 0 1 | output gain 0dB +6dB |
| | | | | | | 0 1 | | reference voltage setting for outputexternal referenceinternal reference ($V_{33} \cdot 1.25$) |
| | | | | | 01 | | | internal divider for output reference voltageconnected to VCC/2disconnected |
| | | | | 01 | | | | fastcharge (switches at CD input)open closed |
| | | | 01 | | | | | Input level select (output power)12dB6dB0 |
| | | 01 | | | | | | RDS-mute (high impedance)mutedunmuted |
| | 01 | | | | | | | mute pin function I"0" does not activate the output mute"1" activates the output mute |
| 01 | | | | | | | | mute pin function II"0" activates the high impedance mute"1" does not activate the high impedance mute |

Output selector (subaddress 7)

| MSB | | | | LSB | | | | Function |
|------------------|------------------|------------------|------------------|------------------|------------------|------------------|------------------|---|
| D7 | D6 | D5 | D4 | D3 | D2 | D1 | D0 | |
| | | | | | | 0 0 1 1 | 0 1 0 1 | source select SPKR 1L Bypass CDL Phone/Navigation mix / IN1L IN1L |
| | | | | 0 0 1 1 | 0 1 0 1 | | | source select SPKR 1R Bypass CDL Phone/Navigation mix / IN1R N1R |
| | | 0 0 1 1 | 0 1 0 1 | | | | | source select SPKR 2L Bypass CDL mute IN2L |
| 0 0 1 1 | 0 1 0 1 | | | | | | | source select SPKR 2R Bypass CDL mute IN2R |

Volume speaker outputs (subaddresses 8...13)

| MSB | | | | LSB | | | | Function |
|-----|----|----|----|-----|----|----|----|-------------|
| D7 | D6 | D5 | D4 | D3 | D2 | D1 | D0 | |
| 1 | 0 | 0 | 0 | 1 | 1 | 1 | 1 | +15dB |
| : | : | : | : | : | : | : | : | : |
| 1 | 0 | 0 | 0 | 0 | 0 | 0 | 1 | +1dB |
| 1 | 0 | 0 | 0 | 0 | 0 | 0 | 0 | 0dB |
| 0 | 0 | 0 | 0 | 0 | 0 | 0 | 0 | 0dB |
| 0 | 0 | 0 | 0 | 0 | 0 | 0 | 1 | -1dB |
| : | : | : | : | : | : | : | : | : |
| 0 | 0 | 0 | 0 | 1 | 1 | 1 | 1 | -15dB |
| 0 | 0 | 0 | 1 | 0 | 0 | 0 | 0 | -16dB |
| : | : | : | : | : | : | : | : | : |
| 0 | 1 | 0 | 0 | 1 | 1 | 1 | 0 | -78dB |
| 0 | 1 | 0 | 0 | 1 | 1 | 1 | 1 | -79dB |
| x | 1 | 1 | x | x | x | x | x | Mute |

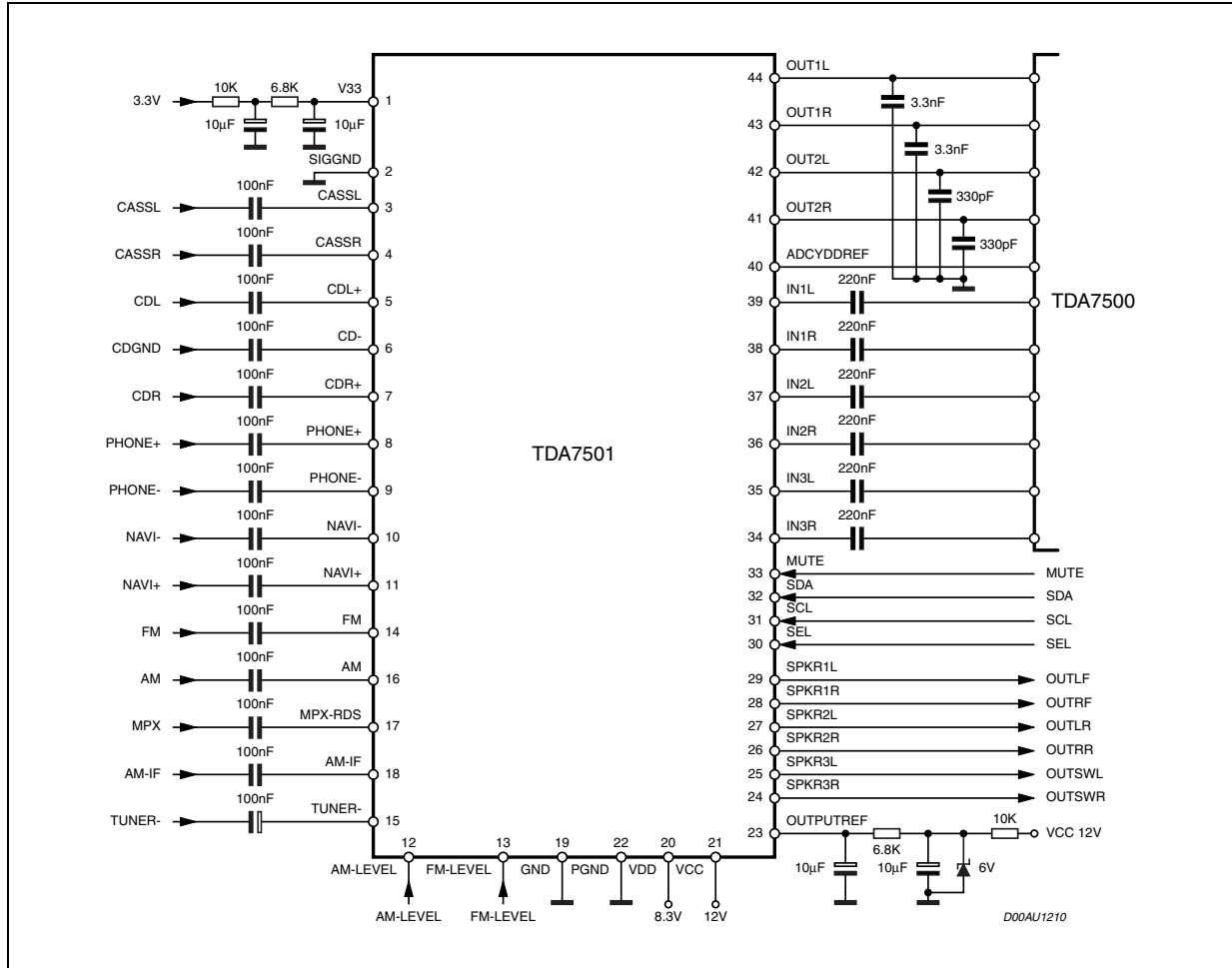
FM-LEVEL RANGE (SUBADDRESS 14)

| MSB | | | | LSB | | | | Function |
|-----|----|----|----|-----|----|----|----|--------------------|
| D7 | D6 | D5 | D4 | D3 | D2 | D1 | D0 | |
| 1 | 0 | 0 | 0 | 1 | 1 | 0 | | 0...6Volts |
| | | : | : | | | 1 | | 0...5 Volts |
| 1 | 1 | 1 | 1 | 1 | 1 | | 0 | Must be |

TDA7501

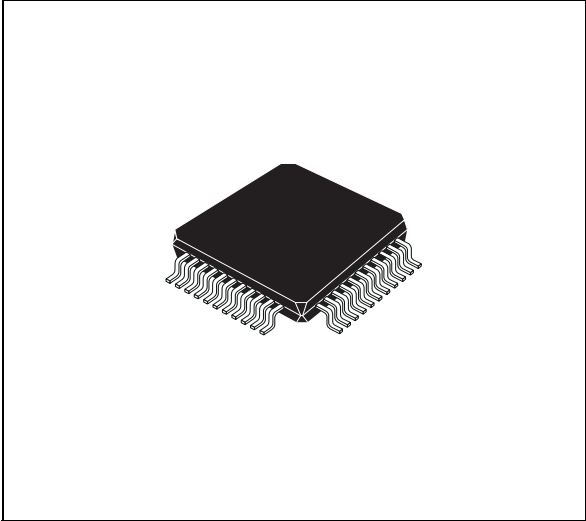
The unused subaddresses 14/15 must be programmed to "11111110" to allow software compatibility to future extensions.

Figure 13.

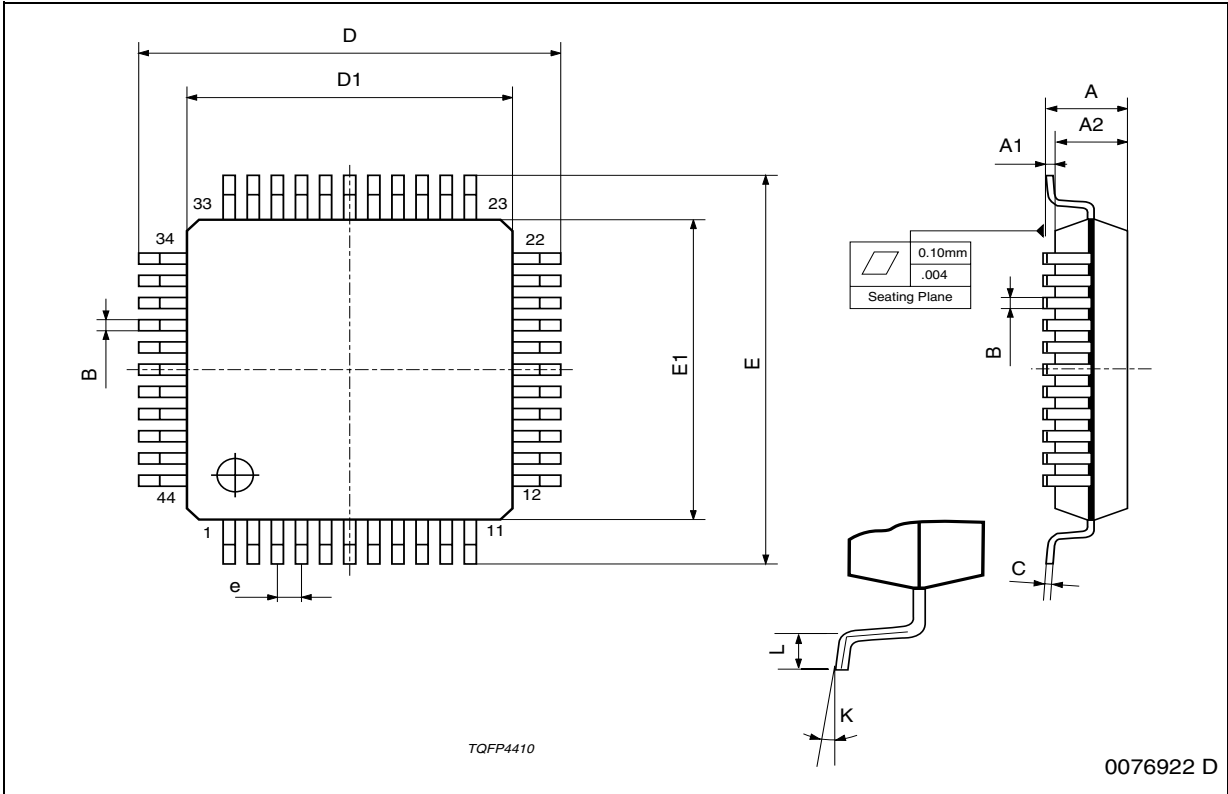


| DIM. | mm | | | inch | | |
|------|-----------------------------------|-------|-------|-------|-------|-------|
| | MIN. | TYP. | MAX. | MIN. | TYP. | MAX. |
| A | | | 1.60 | | | 0.063 |
| A1 | 0.05 | | 0.15 | 0.002 | | 0.006 |
| A2 | 1.35 | 1.40 | 1.45 | 0.053 | 0.055 | 0.057 |
| B | 0.30 | 0.37 | 0.45 | 0.012 | 0.015 | 0.018 |
| C | 0.09 | | 0.20 | 0.004 | | 0.008 |
| D | 11.80 | 12.00 | 12.20 | 0.464 | 0.472 | 0.480 |
| D1 | 9.80 | 10.00 | 10.20 | 0.386 | 0.394 | 0.401 |
| D3 | | 8.00 | | | 0.315 | |
| E | 11.80 | 12.00 | 12.20 | 0.464 | 0.472 | 0.480 |
| E1 | 9.80 | 10.00 | 10.20 | 0.386 | 0.394 | 0.401 |
| E3 | | 8.00 | | | 0.315 | |
| e | | 0.80 | | | 0.031 | |
| L | 0.45 | 0.60 | 0.75 | 0.018 | 0.024 | 0.030 |
| L1 | | 1.00 | | | 0.039 | |
| k | 0° (min.), 3.5° (typ.), 7° (max.) | | | | | |

OUTLINE AND MECHANICAL DATA



TQFP44 (10 x 10 x 1.4mm)



Information furnished is believed to be accurate and reliable. However, STMicroelectronics assumes no responsibility for the consequences of use of such information nor for any infringement of patents or other rights of third parties which may result from its use. No license is granted by implication or otherwise under any patent or patent rights of STMicroelectronics. Specifications mentioned in this publication are subject to change without notice. This publication supersedes and replaces all information previously supplied. STMicroelectronics products are not authorized for use as critical components in life support devices or systems without express written approval of STMicroelectronics.

The ST logo is a registered trademark of STMicroelectronics.
All other names are the property of their respective owners

© 2004 STMicroelectronics - All rights reserved

STMicroelectronics GROUP OF COMPANIES

Australia - Belgium - Brazil - Canada - China - Czech Republic - Finland - France - Germany - Hong Kong - India - Israel - Italy - Japan -
Malaysia - Malta - Morocco - Singapore - Spain - Sweden - Switzerland - United Kingdom - United States

www.st.com