

MICRO SWITCH

FREEPORT ILLINOIS, U.S.A.
A DIVISION OF HONEYWELL INC.
FED.MFG.CODE 91929

ACTUATOR-SWITCH

CATALOG LISTING

JS-183

DDM/CAD

DRAWN

S A V 21 AUG 91

CHECK

D A W 22 AUG 91

CHECK

REVISIONS

A	PR-20038	T S M	26 MAY 92
B	CO-79303	J A K	15 FEB 95

ISSUE

5

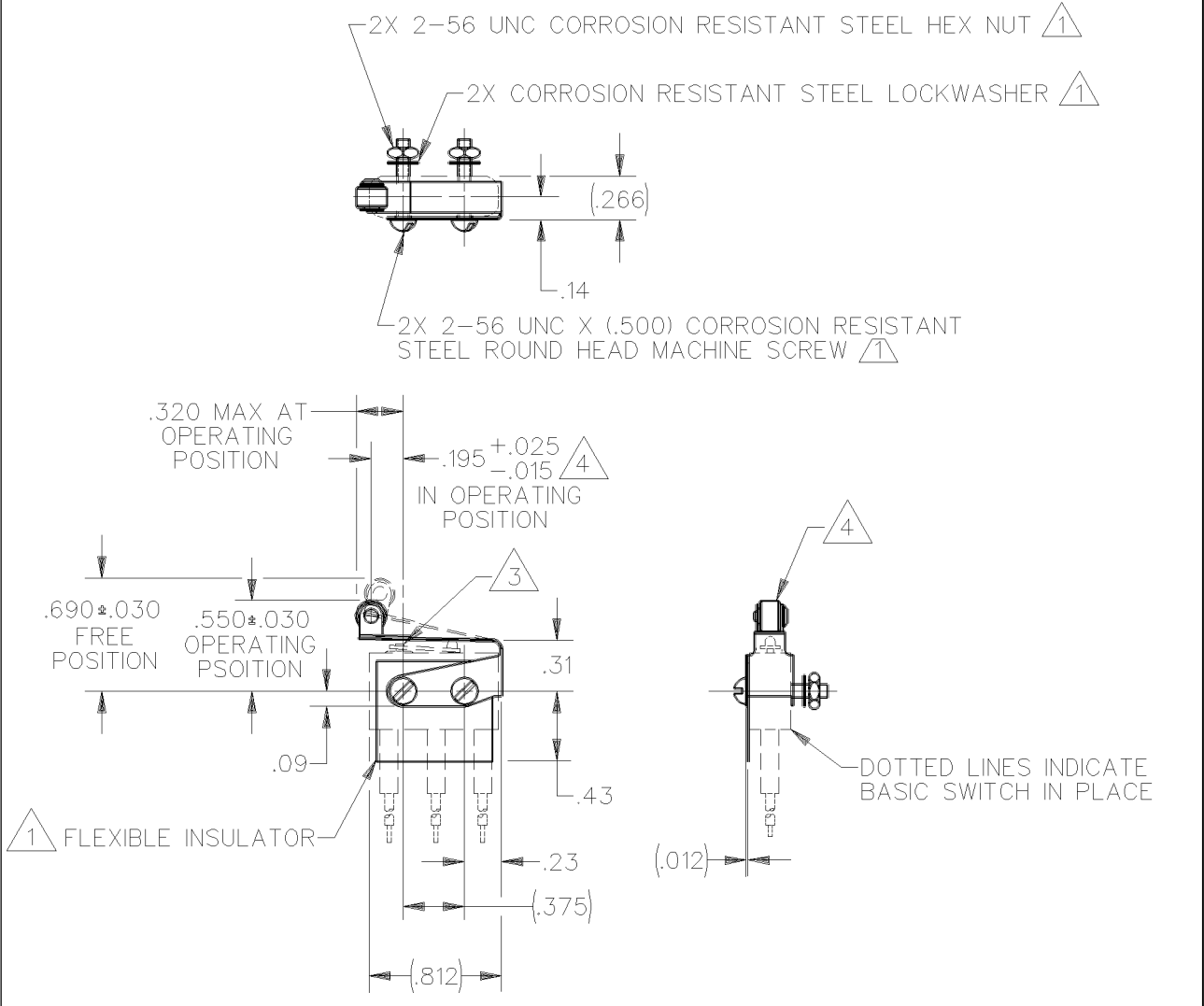
DRAWING NUMBER

M

JS-183

RELEASE NO. PR-20038

REPLACES



- NOTES
- ¹ FURNISHED UNASSEMBLED
 - ² CHARACTERISTICS WITH 6HM1-1 BASIC SWITCH INSTALLED
 - ³ ADJUSTMENT CAUTION: TO PREVENT SWITCH SEAL DAMAGE DO NOT ALLOW ACTUATOR LEAF TO COME IN CONTACT WITH HM LEVER
 - ⁴ POSITION ADJUSTMENT OF BASIC SWITCH TO LEVER MAY BE REQUIRED TO ACHIEVE STATED TOLERANCE AT OPERATE POSITION

THIS DRAWING COVERS A PROPRIETARY ITEM AND IS THE PROPERTY OF MICRO SWITCH, A DIVISION OF HONEYWELL. THIS DRAWING IS NOT TO BE COPIED OR USED WITHOUT THE APPROVAL OF MICRO SWITCH.		THIRD ANGLE PROJECTION	
CHARACTERISTICS ²	ELECTRICAL DATA	SCALE FULL	DO NOT SCALE PRINT
OPERATING FORCE — — — — 9 OZ MAX	CONTACT ARRANGEMENT	UNLESS OTHERWISE SPECIFIED TOLERANCES ARE	
RELEASE FORCE — — — — 2 OZ MIN		ONE PLACE (.0) ±.030	
DIFFERENTIAL TRAVEL — — — .030 MAX		TWO PLACE (.00) ±.015	
OVERTRAVEL — — — — .030 MIN		THREE PLACE (.000) ±.005	
		ANGLES ±	
		RAW MATERIAL—COMMERCIAL STANDARD	
		WEIGHT	