

Introducing USB 2.0 Peak EMI Reduction IC

Features

- 1x peak EMI reduction IC for USB 2.0
- Analog spread selection up to $\pm 0.5\%$
- ModRate selection option
- Commercial temperature range
- Available in compact packages
- 8TSSOP, SOIC and TDFN (2x2)
- The first true drop in solution

Input frequency:

10MHz - 60MHz @ 2.5V
10MHz - 70MHz @ 3.3V

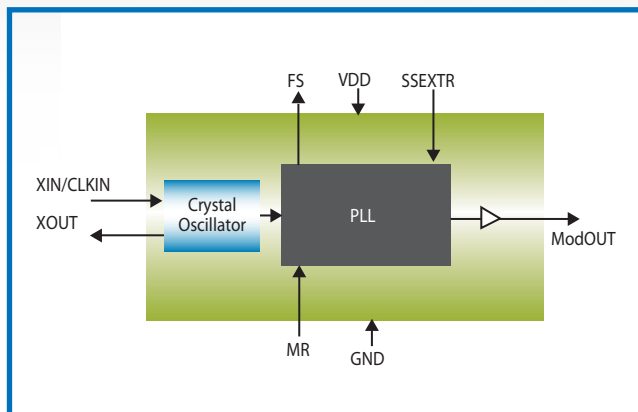
Output frequency:

10MHz - 60MHz @ 2.5V
10MHz - 70MHz @ 3.3V

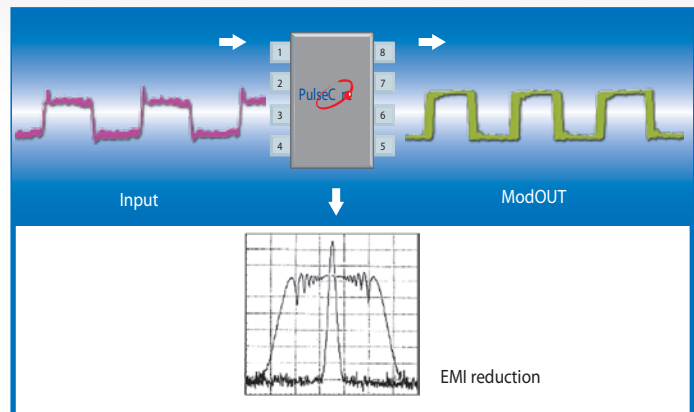
Supply voltage:

2.5V \pm 0.2V
3.3V \pm 0.3V

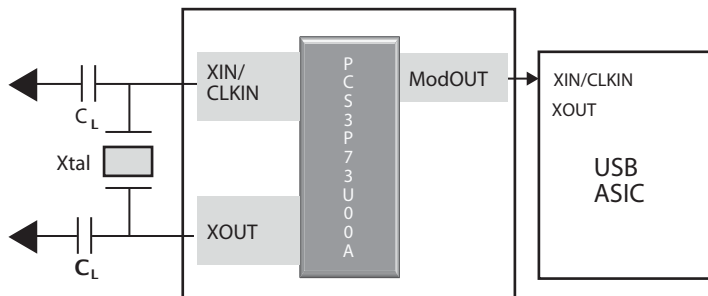
Block Diagram



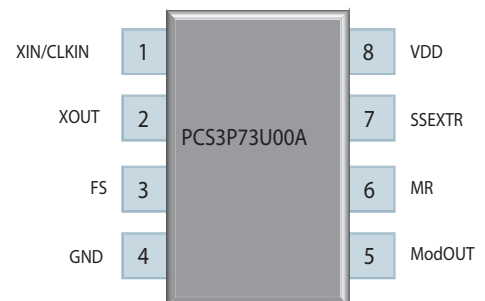
EMI Reduction



Application



Pin Configuration



Frequency Selection table

VDD(V)	FS	Frequency (MHz)
2.5V	0	10-20
	1	20-60
3.3V	0	10-27
	1	20-70

PATENT APPLICATION IN PROGRESS