

UC3842B, UC3843B, UC2842B, UC2843B, NCV3843BV



ON Semiconductor™

<http://onsemi.com>

High Performance Current Mode Controllers

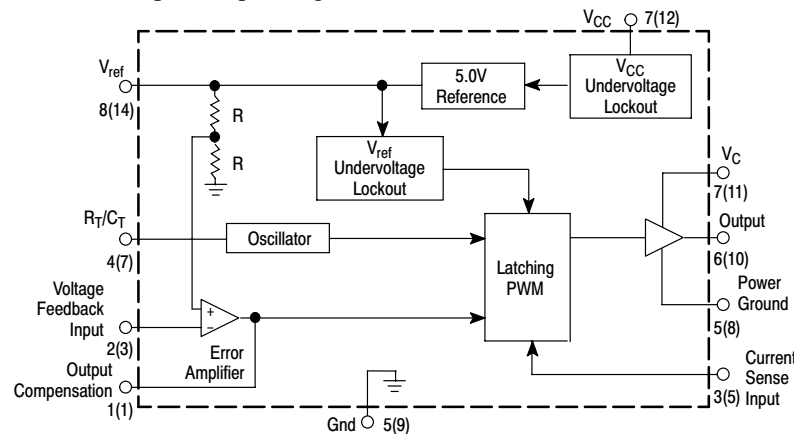
The UC3842B, UC3843B series are high performance fixed frequency current mode controllers. They are specifically designed for Off-Line and dc-to-dc converter applications offering the designer a cost-effective solution with minimal external components. These integrated circuits feature a trimmed oscillator for precise duty cycle control, a temperature compensated reference, high gain error amplifier, current sensing comparator, and a high current totem pole output ideally suited for driving a power MOSFET.

Also included are protective features consisting of input and reference undervoltage lockouts each with hysteresis, cycle-by-cycle current limiting, programmable output deadtime, and a latch for single pulse metering.

These devices are available in an 8-pin dual-in-line and surface mount (SO-8) plastic package as well as the 14-pin plastic surface mount (SO-14). The SO-14 package has separate power and ground pins for the totem pole output stage.

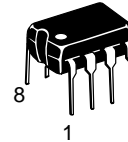
The UC3842B has UVLO thresholds of 16 V (on) and 10 V (off), ideally suited for off-line converters. The UC3843B is tailored for lower voltage applications having UVLO thresholds of 8.5 V (on) and 7.6 V (off).

- Trimmed Oscillator for Precise Frequency Control
- Oscillator Frequency Guaranteed at 250 kHz
- Current Mode Operation to 500 kHz
- Automatic Feed Forward Compensation
- Latching PWM for Cycle-By-Cycle Current Limiting
- Internally Trimmed Reference with Undervoltage Lockout
- High Current Totem Pole Output
- Undervoltage Lockout with Hysteresis
- Low Startup and Operating Current



Pin numbers in parenthesis are for the D suffix SO-14 package.

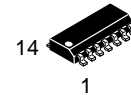
Figure 1. Simplified Block Diagram



PDIP-8
N SUFFIX
CASE 626

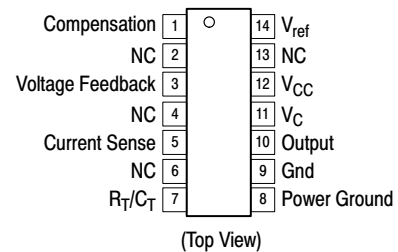
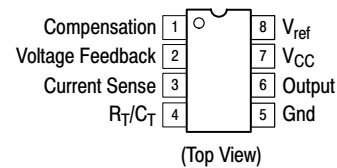


SO-8
D1 SUFFIX
CASE 751



SO-14
D SUFFIX
CASE 751A

PIN CONNECTIONS



ORDERING INFORMATION

See detailed ordering and shipping information in the package dimensions section on page 16 of this data sheet.

DEVICE MARKING INFORMATION

See general marking information in the device marking section on page 17 of this data sheet.

UC3842B, UC3843B, UC2842B, UC2843B, NCV3843BV

MAXIMUM RATINGS

| Rating | Symbol | Value | Unit |
|--|--------------------------|--|--------------------------|
| Bias and Driver Voltages (Zero Series Impedance, see also Total Device spec) | V_{CC}, V_C | 30 | V |
| Total Power Supply and Zener Current | $(I_{CC} + I_Z)$ | 30 | mA |
| Output Current, Source or Sink (Note 1) | I_O | 1.0 | A |
| Output Energy (Capacitive Load per Cycle) | W | 5.0 | μ J |
| Current Sense and Voltage Feedback Inputs | V_{in} | - 0.3 to + 5.5 | V |
| Error Amp Output Sink Current | I_O | 10 | mA |
| Power Dissipation and Thermal Characteristics D Suffix, Plastic Package, SO-14 Case 751A Maximum Power Dissipation @ $T_A = 25^\circ\text{C}$ Thermal Resistance, Junction-to-Air | P_D $R_{\theta JA}$ | 862 145 | mW $^\circ\text{C/W}$ |
| D1 Suffix, Plastic Package, SO-8 Case 751 Maximum Power Dissipation @ $T_A = 25^\circ\text{C}$ Thermal Resistance, Junction-to-Air | P_D $R_{\theta JA}$ | 702 178 | mW $^\circ\text{C/W}$ |
| N Suffix, Plastic Package, Case 626 Maximum Power Dissipation @ $T_A = 25^\circ\text{C}$ Thermal Resistance, Junction-to-Air | P_D $R_{\theta JA}$ | 1.25 100 | W $^\circ\text{C/W}$ |
| Operating Junction Temperature | T_J | +150 | $^\circ\text{C}$ |
| Operating Ambient Temperature UC3842B, UC3843B UC2842B, UC2843B UC3842BV, UC3843BV, NCV3843BV | T_A | 0 to + 70 - 25 to + 85 -40 to +105 | $^\circ\text{C}$ |
| Storage Temperature Range | T_{stg} | - 65 to +150 | $^\circ\text{C}$ |

ELECTRICAL CHARACTERISTICS ($V_{CC} = 15\text{ V}$ [Note 2], $R_T = 10\text{ k}$, $C_T = 3.3\text{ nF}$. For typical values $T_A = 25^\circ\text{C}$, for min/max values T_A is the operating ambient temperature range that applies [Note 3], unless otherwise noted.)

| Characteristics | Symbol | UC284XB | | | UC384XB, XBV | | | Unit |
|-----------------|--------|---------|-----|-----|--------------|-----|-----|------|
| | | Min | Typ | Max | Min | Typ | Max | |

REFERENCE SECTION

| | | | | | | | | |
|--|--------------|------|------|------|------|------|------|----------------------|
| Reference Output Voltage ($I_O = 1.0\text{ mA}$, $T_J = 25^\circ\text{C}$) | V_{ref} | 4.95 | 5.0 | 5.05 | 4.9 | 5.0 | 5.1 | V |
| Line Regulation ($V_{CC} = 12\text{ V to } 25\text{ V}$) | Reg_{line} | - | 2.0 | 20 | - | 2.0 | 20 | mV |
| Load Regulation ($I_O = 1.0\text{ mA to } 20\text{ mA}$) | Reg_{load} | - | 3.0 | 25 | - | 3.0 | 25 | mV |
| Temperature Stability | T_S | - | 0.2 | - | - | 0.2 | - | mV/ $^\circ\text{C}$ |
| Total Output Variation over Line, Load, and Temperature | V_{ref} | 4.9 | - | 5.1 | 4.82 | - | 5.18 | V |
| Output Noise Voltage ($f = 10\text{ Hz to } 10\text{ kHz}$, $T_J = 25^\circ\text{C}$) | V_n | - | 50 | - | - | 50 | - | μ V |
| Long Term Stability ($T_A = 125^\circ\text{C}$ for 1000 Hours) | S | - | 5.0 | - | - | 5.0 | - | mV |
| Output Short Circuit Current | I_{SC} | - 30 | - 85 | -180 | - 30 | - 85 | -180 | mA |

OSCILLATOR SECTION

| | | | | | | | | |
|---|---------------------------|-----------------|----------------|-----------------|-------------------|----------------|-------------------|-----|
| Frequency $T_J = 25^\circ\text{C}$ $T_A = T_{low}$ to T_{high} $T_J = 25^\circ\text{C}$ ($R_T = 6.2\text{ k}$, $C_T = 1.0\text{ nF}$) | f_{osc} | 49 48 225 | 52 - 250 | 55 56 275 | 49 48 225 | 52 - 250 | 55 56 275 | kHz |
| Frequency Change with Voltage ($V_{CC} = 12\text{ V to } 25\text{ V}$) | $\Delta f_{osc}/\Delta V$ | - | 0.2 | 1.0 | - | 0.2 | 1.0 | % |
| Frequency Change with Temperature, $T_A = T_{low}$ to T_{high} | $\Delta f_{osc}/\Delta T$ | - | 1.0 | - | - | 0.5 | - | % |
| Oscillator Voltage Swing (Peak-to-Peak) | V_{osc} | - | 1.6 | - | - | 1.6 | - | V |
| Discharge Current ($V_{osc} = 2.0\text{ V}$) $T_J = 25^\circ\text{C}$ $T_A = T_{low}$ to T_{high} (UC284XB, UC384XB) (UC384XBV) | I_{dischg} | 7.8 7.5 - | 8.3 - - | 8.8 8.8 - | 7.8 7.6 7.2 | 8.3 - - | 8.8 8.8 8.8 | mA |

- Maximum Package power dissipation limits must be observed.
- Adjust V_{CC} above the Startup threshold before setting to 15 V.
- Low duty cycle pulse techniques are used during test to maintain junction temperature as close to ambient as possible.
 $T_{low} = 0^\circ\text{C}$ for UC3842B, UC3843B; -25°C for UC2842B, UC2843B; -40°C for UC3842BV, UC3843BV
 $T_{high} = +70^\circ\text{C}$ for UC3842B, UC3843B; $+85^\circ\text{C}$ for UC2842B, UC2843B; $+105^\circ\text{C}$ for UC3842BV, UC3843BV
 NCV3843BV: $T_{low} = -40^\circ\text{C}$, $T_{high} = +105^\circ\text{C}$. Guaranteed by design. NCV prefix is for automotive and other applications requiring site and change control.

UC3842B, UC3843B, UC2842B, UC2843B, NCV3843BV

ELECTRICAL CHARACTERISTICS ($V_{CC} = 15\text{ V}$ [Note 4], $R_T = 10\text{ k}$, $C_T = 3.3\text{ nF}$. For typical values $T_A = 25^\circ\text{C}$, for min/max values T_A is the operating ambient temperature range that applies [Note 5], unless otherwise noted.)

| Characteristics | Symbol | UC284XB | | | UC384XB, XBV | | | Unit |
|--|--------------|---------|------|------|--------------|------|------|---------------|
| | | Min | Typ | Max | Min | Typ | Max | |
| ERROR AMPLIFIER SECTION | | | | | | | | |
| Voltage Feedback Input ($V_O = 2.5\text{ V}$) | V_{FB} | 2.45 | 2.5 | 2.55 | 2.42 | 2.5 | 2.58 | V |
| Input Bias Current ($V_{FB} = 5.0\text{ V}$) | I_{IB} | – | –0.1 | –1.0 | – | –0.1 | –2.0 | μA |
| Open Loop Voltage Gain ($V_O = 2.0\text{ V}$ to 4.0 V) | A_{VOL} | 65 | 90 | – | 65 | 90 | – | dB |
| Unity Gain Bandwidth ($T_J = 25^\circ\text{C}$) | BW | 0.7 | 1.0 | – | 0.7 | 1.0 | – | MHz |
| Power Supply Rejection Ratio ($V_{CC} = 12\text{ V}$ to 25 V) | PSRR | 60 | 70 | – | 60 | 70 | – | dB |
| Output Current | | | | | | | | mA |
| Sink ($V_O = 1.1\text{ V}$, $V_{FB} = 2.7\text{ V}$) | I_{Sink} | 2.0 | 12 | – | 2.0 | 12 | – | |
| Source ($V_O = 5.0\text{ V}$, $V_{FB} = 2.3\text{ V}$) | I_{Source} | –0.5 | –1.0 | – | –0.5 | –1.0 | – | |
| Output Voltage Swing | | | | | | | | V |
| High State ($R_L = 15\text{ k}$ to ground, $V_{FB} = 2.3\text{ V}$) | V_{OH} | 5.0 | 6.2 | – | 5.0 | 6.2 | – | |
| Low State ($R_L = 15\text{ k}$ to V_{ref} , $V_{FB} = 2.7\text{ V}$) | V_{OL} | – | 0.8 | 1.1 | – | 0.8 | 1.1 | |
| (UC284XB, UC384XB) | | – | – | – | – | 0.8 | 1.2 | |
| (UC384XBV) | | – | – | – | – | 0.8 | 1.2 | |

CURRENT SENSE SECTION

| | | | | | | | | |
|--|-------------------|-----------|----------|-----------|--------------|------------|--------------|---------------|
| Current Sense Input Voltage Gain (Notes 6 & 7) (UC284XB, UC384XB) (UC384XBV) | A_V | 2.85 – | 3.0 – | 3.15 – | 2.85 2.85 | 3.0 3.0 | 3.15 3.25 | V/V |
| Maximum Current Sense Input Threshold (Note 6) (UC284XB, UC384XB) (UC384XBV) | V_{th} | 0.9 – | 1.0 – | 1.1 – | 0.9 0.85 | 1.0 1.0 | 1.1 1.1 | V |
| Power Supply Rejection Ratio ($V_{CC} = 12\text{ V}$ to 25 V , Note 6) | PSRR | – | 70 | – | – | 70 | – | dB |
| Input Bias Current | I_{IB} | – | –2.0 | –10 | – | –2.0 | –10 | μA |
| Propagation Delay (Current Sense Input to Output) | $t_{PLH(In/Out)}$ | – | 150 | 300 | – | 150 | 300 | ns |

OUTPUT SECTION

| | | | | | | | | |
|---|----------------|----|------|-----|------|------|-----|----|
| Output Voltage | | | | | | | | V |
| Low State ($I_{Sink} = 20\text{ mA}$) | V_{OL} | – | 0.1 | 0.4 | – | 0.1 | 0.4 | |
| ($I_{Sink} = 200\text{ mA}$) (UC284XB, UC384XB) | | – | 1.6 | 2.2 | – | 1.6 | 2.2 | |
| (UC384XBV) | | – | – | – | – | 1.6 | 2.3 | |
| High State ($I_{Source} = 20\text{ mA}$) (UC284XB, UC384XB) | V_{OH} | 13 | 13.5 | – | 13 | 13.5 | – | |
| (UC384XBV) | | – | – | – | 12.9 | 13.5 | – | |
| ($I_{Source} = 200\text{ mA}$) | | 12 | 13.4 | – | 12 | 13.4 | – | |
| Output Voltage with UVLO Activated ($V_{CC} = 6.0\text{ V}$, $I_{Sink} = 1.0\text{ mA}$) | $V_{OL(UVLO)}$ | – | 0.1 | 1.1 | – | 0.1 | 1.1 | V |
| Output Voltage Rise Time ($C_L = 1.0\text{ nF}$, $T_J = 25^\circ\text{C}$) | t_r | – | 50 | 150 | – | 50 | 150 | ns |
| Output Voltage Fall Time ($C_L = 1.0\text{ nF}$, $T_J = 25^\circ\text{C}$) | t_f | – | 50 | 150 | – | 50 | 150 | ns |

UNDERVOLTAGE LOCKOUT SECTION

| | | | | | | | | |
|--|---------------|------------|-----------|-----------|-------------|-----------|-------------|---|
| Startup Threshold (V_{CC}) UCX842B, BV UCX843B, BV | V_{th} | 15 7.8 | 16 8.4 | 17 9.0 | 14.5 7.8 | 16 8.4 | 17.5 9.0 | V |
| Minimum Operating Voltage After Turn-On (V_{CC}) UCX842B, BV UCX843B, BV | $V_{CC(min)}$ | 9.0 7.0 | 10 7.6 | 11 8.2 | 8.5 7.0 | 10 7.6 | 11.5 8.2 | V |

- Adjust V_{CC} above the Startup threshold before setting to 15 V .
- Low duty cycle pulse techniques are used during test to maintain junction temperature as close to ambient as possible.
 $T_{low} = 0^\circ\text{C}$ for UC3842B, UC3843B; -25°C for UC2842B, UC2843B; -40°C for UC3842BV, UC3843BV
 $T_{high} = +70^\circ\text{C}$ for UC3842B, UC3843B; $+85^\circ\text{C}$ for UC2842B, UC2843B; $+105^\circ\text{C}$ for UC3842BV, UC3843BV
 NCV3843BV: $T_{low} = -40^\circ\text{C}$, $T_{high} = +125^\circ\text{C}$. Guaranteed by design. NCV prefix is for automotive and other applications requiring site and change control.
- This parameter is measured at the latch trip point with $V_{FB} = 0\text{ V}$.
- Comparator gain is defined as: $A_V = \frac{\Delta V \text{ Output Compensation}}{\Delta V \text{ Current Sense Input}}$

UC3842B, UC3843B, UC2842B, UC2843B, NCV3843BV

ELECTRICAL CHARACTERISTICS ($V_{CC} = 15\text{ V}$ [Note 8], $R_T = 10\text{ k}$, $C_T = 3.3\text{ nF}$, for typical values $T_A = 25^\circ\text{C}$, for min/max values T_A is the operating ambient temperature range that applies [Note 9], unless otherwise noted.)

| Characteristics | Symbol | UC284XB | | | UC384XB, BV | | | Unit |
|-----------------|--------|---------|-----|-----|-------------|-----|-----|------|
| | | Min | Typ | Max | Min | Typ | Max | |

PWM SECTION

| Duty Cycle | Symbol | UC284XB | UC384XB | UC384XB, BV | Unit |
|---|--------------|---------|---------|-------------|------|
| Maximum (UC284XB, UC384XB) (UC384XB, BV) | $DC_{(max)}$ | 94 | 96 | 94 | % |
| Minimum | $DC_{(min)}$ | — | — | 0 | |

TOTAL DEVICE

| Power Supply Current | Symbol | UC284XB | UC384XB | UC384XB, BV | Unit |
|---|----------------|---------|---------|-------------|------|
| Startup ($V_{CC} = 6.5\text{ V}$ for UCX843B, $V_{CC} = 14\text{ V}$ for UCX842B, BV) | $I_{CC} + I_C$ | — | 0.3 | 0.5 | mA |
| Operating (Note 8) | | — | 12 | 17 | |

| Power Supply Zener Voltage ($I_{CC} = 25\text{ mA}$) | Symbol | UC284XB | UC384XB | UC384XB, BV | Unit |
|--|--------|---------|---------|-------------|------|
| | V_Z | 30 | 36 | — | V |

8. Adjust V_{CC} above the Startup threshold before setting to 15 V.

9. Low duty cycle pulse techniques are used during test to maintain junction temperature as close to ambient as possible.

$T_{low} = 0^\circ\text{C}$ for UC3842B, UC3843B; -25°C for UC2842B, UC2843B; -40°C for UC3842BV, UC3843BV

$T_{high} = +70^\circ\text{C}$ for UC3842B, UC3843B; $+85^\circ\text{C}$ for UC2842B, UC2843B; $+105^\circ\text{C}$ for UC3842BV, UC3843BV

NCV3843BV: $T_{low} = -40^\circ\text{C}$, $T_{high} = +125^\circ\text{C}$. Guaranteed by design. NCV prefix is for automotive and other applications requiring site and change control.

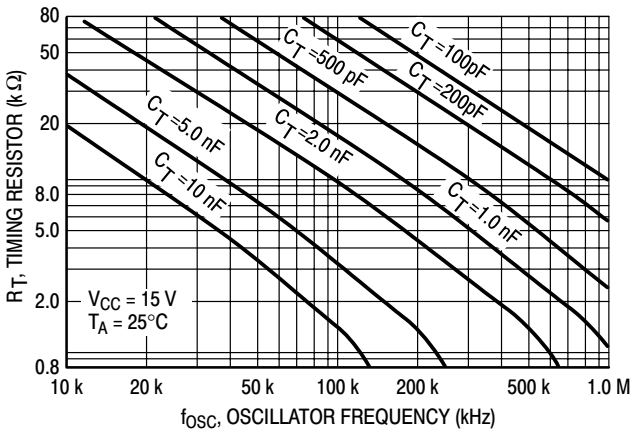


Figure 2. Timing Resistor versus Oscillator Frequency

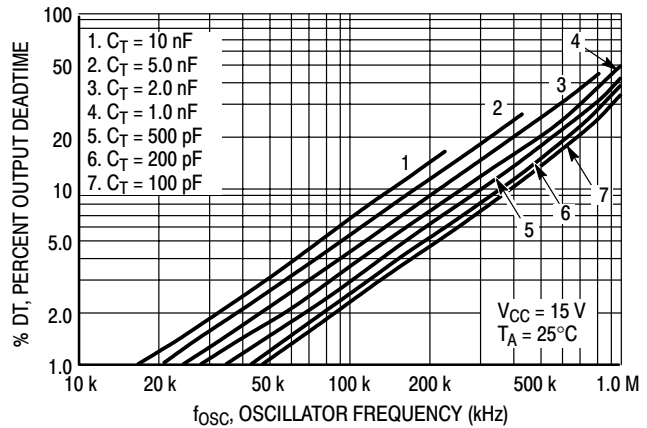


Figure 3. Output Deadtime versus Oscillator Frequency

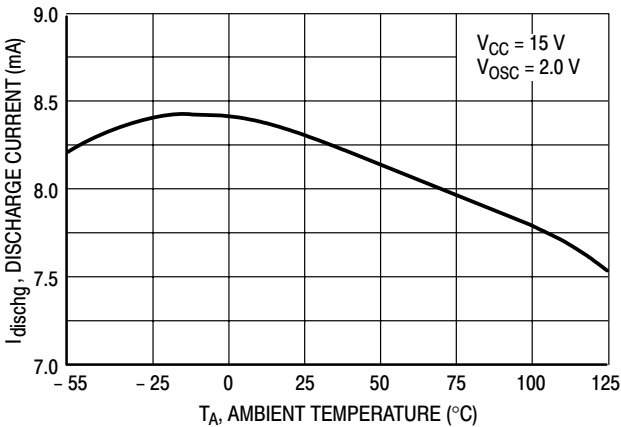


Figure 4. Oscillator Discharge Current versus Temperature

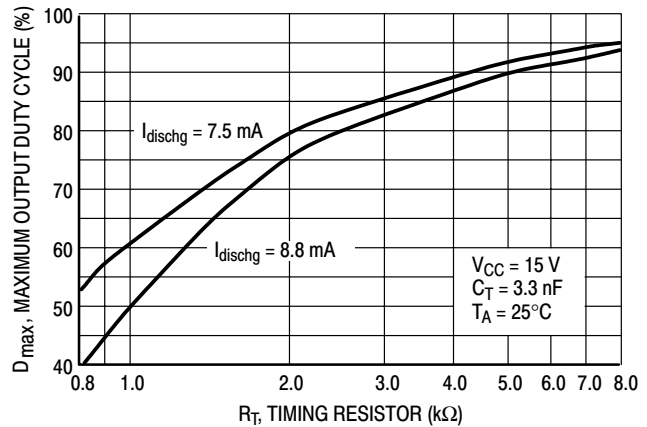


Figure 5. Maximum Output Duty Cycle versus Timing Resistor

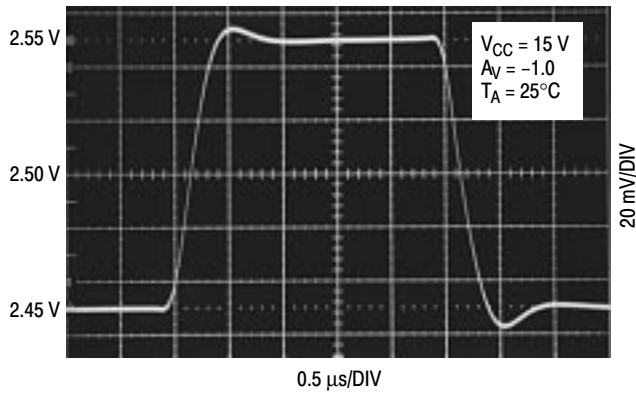


Figure 6. Error Amp Small Signal Transient Response

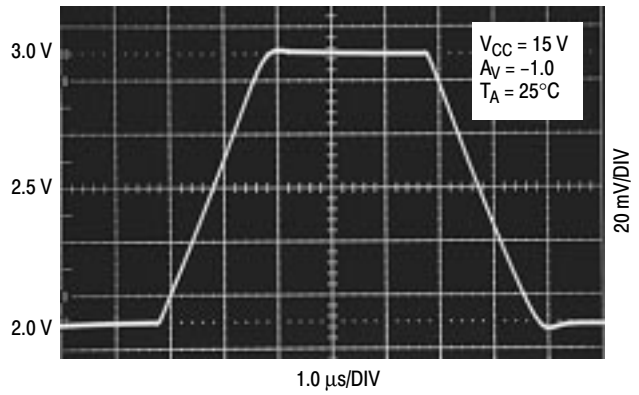


Figure 7. Error Amp Large Signal Transient Response

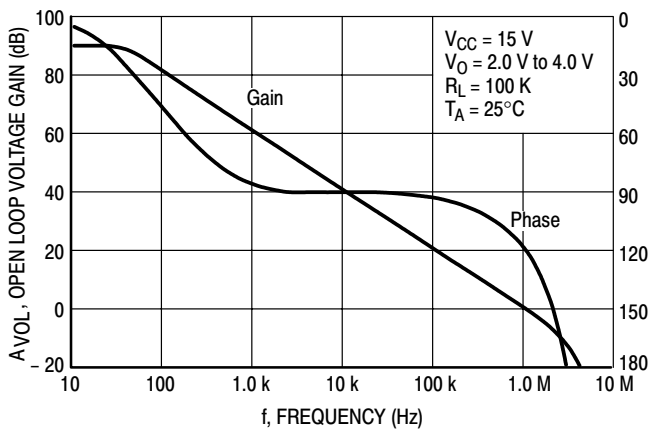


Figure 8. Error Amp Open Loop Gain and Phase versus Frequency

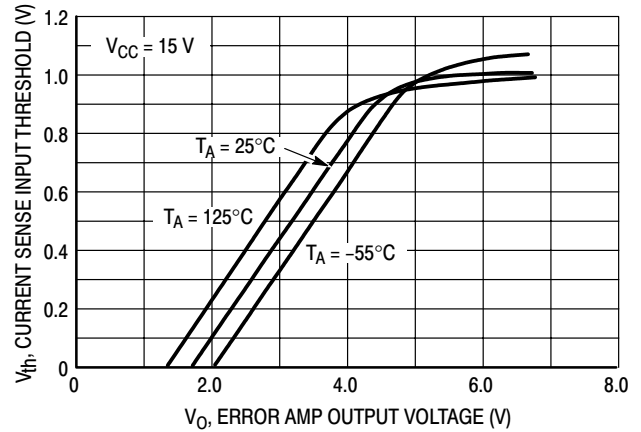


Figure 9. Current Sense Input Threshold versus Error Amp Output Voltage

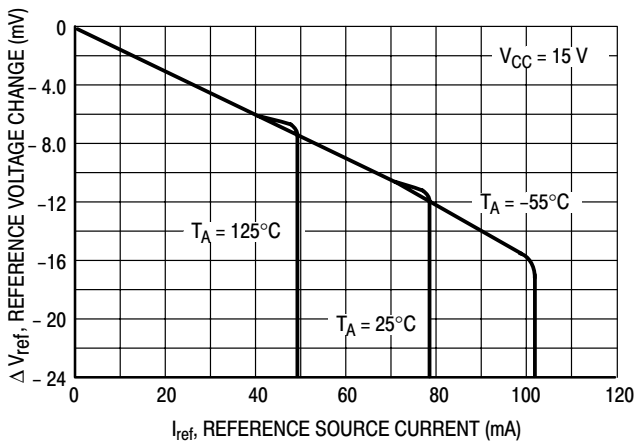


Figure 10. Reference Voltage Change versus Source Current

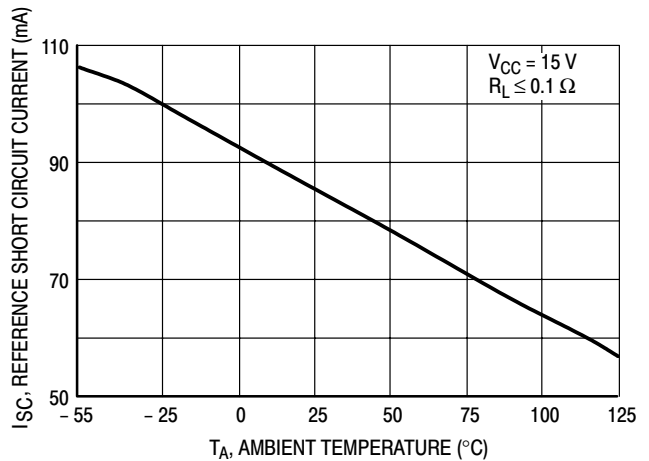


Figure 11. Reference Short Circuit Current versus Temperature

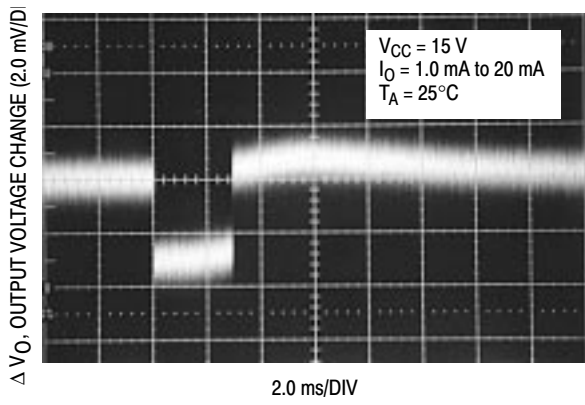


Figure 12. Reference Load Regulation

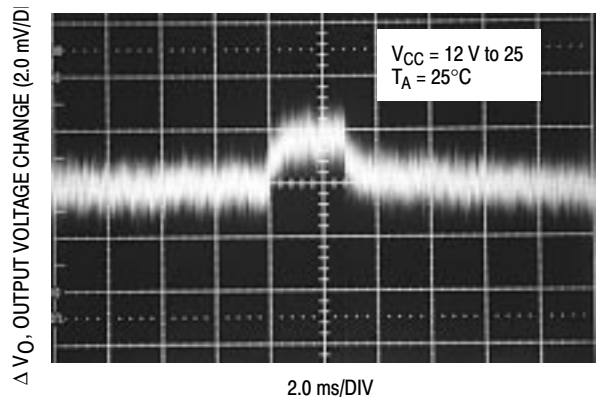


Figure 13. Reference Line Regulation

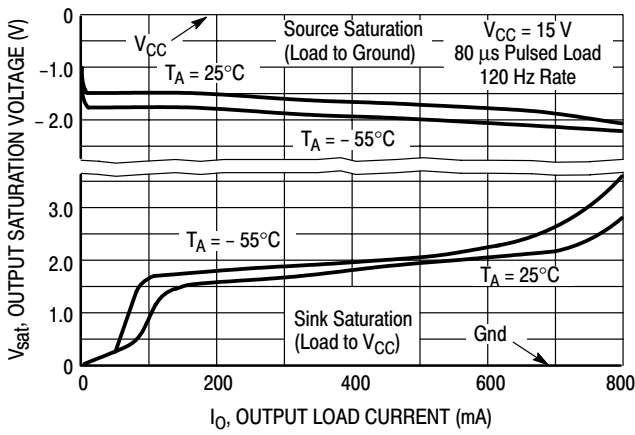


Figure 14. Output Saturation Voltage versus Load Current

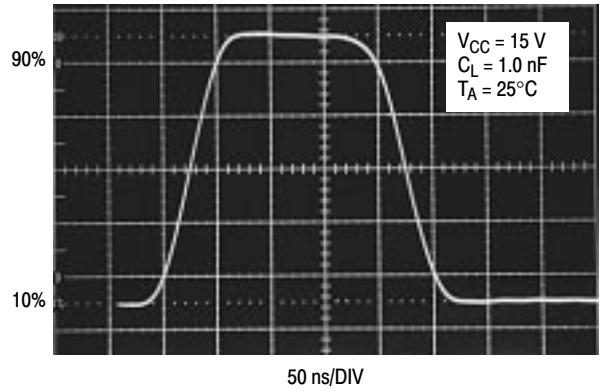


Figure 15. Output Waveform

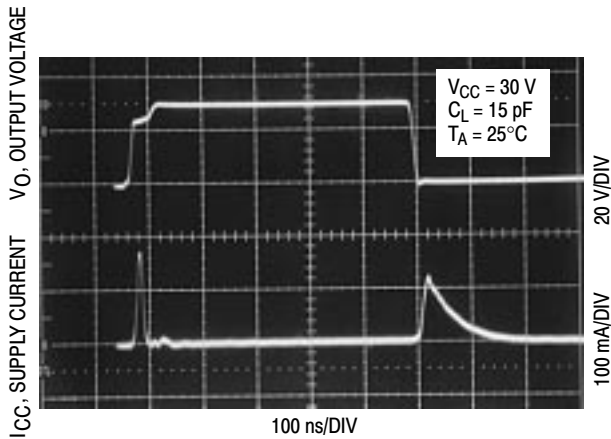


Figure 16. Output Cross Conduction

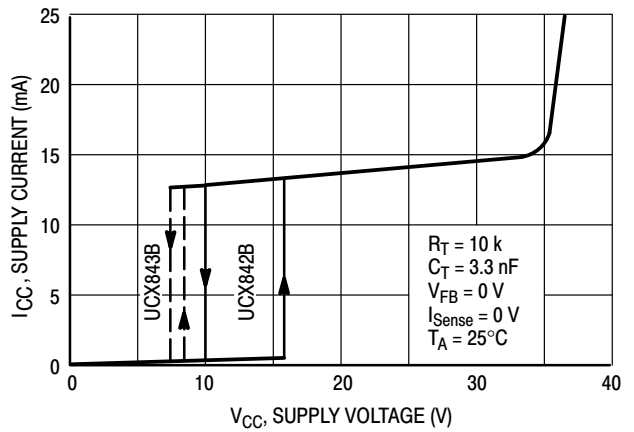


Figure 17. Supply Current versus Supply Voltage

UC3842B, UC3843B, UC2842B, UC2843B, NCV3843BV

PIN FUNCTION DESCRIPTION

| Pin | | Function | Description |
|-------|----------|------------------|---|
| 8-Pin | 14-Pin | | |
| 1 | 1 | Compensation | This pin is the Error Amplifier output and is made available for loop compensation. |
| 2 | 3 | Voltage Feedback | This is the inverting input of the Error Amplifier. It is normally connected to the switching power supply output through a resistor divider. |
| 3 | 5 | Current Sense | A voltage proportional to inductor current is connected to this input. The PWM uses this information to terminate the output switch conduction. |
| 4 | 7 | R_T/C_T | The Oscillator frequency and maximum Output duty cycle are programmed by connecting resistor R_T to V_{ref} and capacitor C_T to ground. Operation to 500 kHz is possible. |
| 5 | | Gnd | This pin is the combined control circuitry and power ground. |
| 6 | 10 | Output | This output directly drives the gate of a power MOSFET. Peak currents up to 1.0 A are sourced and sunk by this pin. |
| 7 | 12 | V_{CC} | This pin is the positive supply of the control IC. |
| 8 | 14 | V_{ref} | This is the reference output. It provides charging current for capacitor C_T through resistor R_T . |
| | 8 | Power Ground | This pin is a separate power ground return that is connected back to the power source. It is used to reduce the effects of switching transient noise on the control circuitry. |
| | 11 | V_C | The Output high state (V_{OH}) is set by the voltage applied to this pin. With a separate power source connection, it can reduce the effects of switching transient noise on the control circuitry. |
| | 9 | Gnd | This pin is the control circuitry ground return and is connected back to the power source ground. |
| | 2,4,6,13 | NC | No connection. These pins are not internally connected. |

OPERATING DESCRIPTION

The UC3842B, UC3843B series are high performance, fixed frequency, current mode controllers. They are specifically designed for Off-Line and dc-to-dc converter applications offering the designer a cost-effective solution with minimal external components. A representative block diagram is shown in Figure 18.

Oscillator

The oscillator frequency is programmed by the values selected for the timing components R_T and C_T . Capacitor C_T is charged from the 5.0 V reference through resistor R_T to approximately 2.8 V and discharged to 1.2 V by an internal current sink. During the discharge of C_T , the oscillator generates an internal blanking pulse that holds the center input of the NOR gate high. This causes the Output to be in a low state, thus producing a controlled amount of output deadtime. Figure 2 shows R_T versus Oscillator Frequency and Figure 3, Output Deadtime versus Frequency, both for given values of C_T . Note that many values of R_T and C_T will give the same oscillator frequency but only one combination will yield a specific output deadtime at a given frequency. The oscillator thresholds are temperature compensated to within $\pm 6\%$ at 50 kHz. Also because of industry trends moving the UC384X into higher and higher frequency applications, the UC384XB is guaranteed to within $\pm 10\%$ at 250 kHz. These internal circuit refinements minimize variations of oscillator frequency and maximum output duty cycle. The results are shown in Figures 4 and 5.

In many noise-sensitive applications it may be desirable to frequency-lock the converter to an external system clock. This can be accomplished by applying a clock signal to the circuit shown in Figure 21. For reliable locking, the free-running oscillator frequency should be set about 10% less than the clock frequency. A method for multi-unit synchronization is shown in Figure 22. By tailoring the clock waveform, accurate Output duty cycle clamping can be achieved.

Error Amplifier

A fully compensated Error Amplifier with access to the inverting input and output is provided. It features a typical dc voltage gain of 90 dB, and a unity gain bandwidth of 1.0 MHz with 57 degrees of phase margin (Figure 8). The non-inverting input is internally biased at 2.5 V and is not pinned out. The converter output voltage is typically divided down and monitored by the inverting input. The maximum input bias current is $-2.0 \mu\text{A}$ which can cause an output voltage error that is equal to the product of the input bias current and the equivalent input divider source resistance.

The Error Amp Output (Pin 1) is provided for external loop compensation (Figure 32). The output voltage is offset by two diode drops ($\approx 1.4 \text{ V}$) and divided by three before it connects to the non-inverting input of the Current Sense Comparator. This guarantees that no drive pulses appear at the Output (Pin 6) when pin 1 is at its lowest state (V_{OL}).

This occurs when the power supply is operating and the load is removed, or at the beginning of a soft-start interval (Figures 24, 25). The Error Amp minimum feedback resistance is limited by the amplifier's source current (0.5 mA) and the required output voltage (V_{OH}) to reach the comparator's 1.0 V clamp level:

$$R_{f(\min)} \approx \frac{3.0 (1.0 \text{ V}) + 1.4 \text{ V}}{0.5 \text{ mA}} = 8800 \Omega$$

Current Sense Comparator and PWM Latch

The UC3842B, UC3843B operate as a current mode controller, whereby output switch conduction is initiated by the oscillator and terminated when the peak inductor current reaches the threshold level established by the Error Amplifier Output/Compensation (Pin 1). Thus the error signal controls the peak inductor current on a cycle-by-cycle basis. The Current Sense Comparator PWM Latch configuration used ensures that only a single pulse appears at the Output during any given oscillator cycle. The inductor current is converted to a voltage by inserting the ground-referenced sense resistor R_S in series with the source of output switch Q1. This voltage is monitored by the Current Sense Input (Pin 3) and compared to a level derived from the Error Amp Output. The peak inductor current under normal operating conditions is controlled by the voltage at pin 1 where:

$$I_{pk} = \frac{V_{(\text{Pin } 1)} - 1.4 \text{ V}}{3 R_S}$$

Abnormal operating conditions occur when the power supply output is overloaded or if output voltage sensing is lost. Under these conditions, the Current Sense Comparator threshold will be internally clamped to 1.0 V. Therefore the maximum peak switch current is:

$$I_{pk(\max)} = \frac{1.0 \text{ V}}{R_S}$$

When designing a high power switching regulator it becomes desirable to reduce the internal clamp voltage in order to keep the power dissipation of R_S to a reasonable level. A simple method to adjust this voltage is shown in Figure 23. The two external diodes are used to compensate the internal diodes, yielding a constant clamp voltage over temperature. Erratic operation due to noise pickup can result if there is an excessive reduction of the $I_{pk(\max)}$ clamp voltage.

A narrow spike on the leading edge of the current waveform can usually be observed and may cause the power supply to exhibit an instability when the output is lightly loaded. This spike is due to the power transformer interwinding capacitance and output rectifier recovery time. The addition of an RC filter on the Current Sense Input with a time constant that approximates the spike duration will usually eliminate the instability (refer to Figure 27).

UC3842B, UC3843B, UC2842B, UC2843B, NCV3843BV

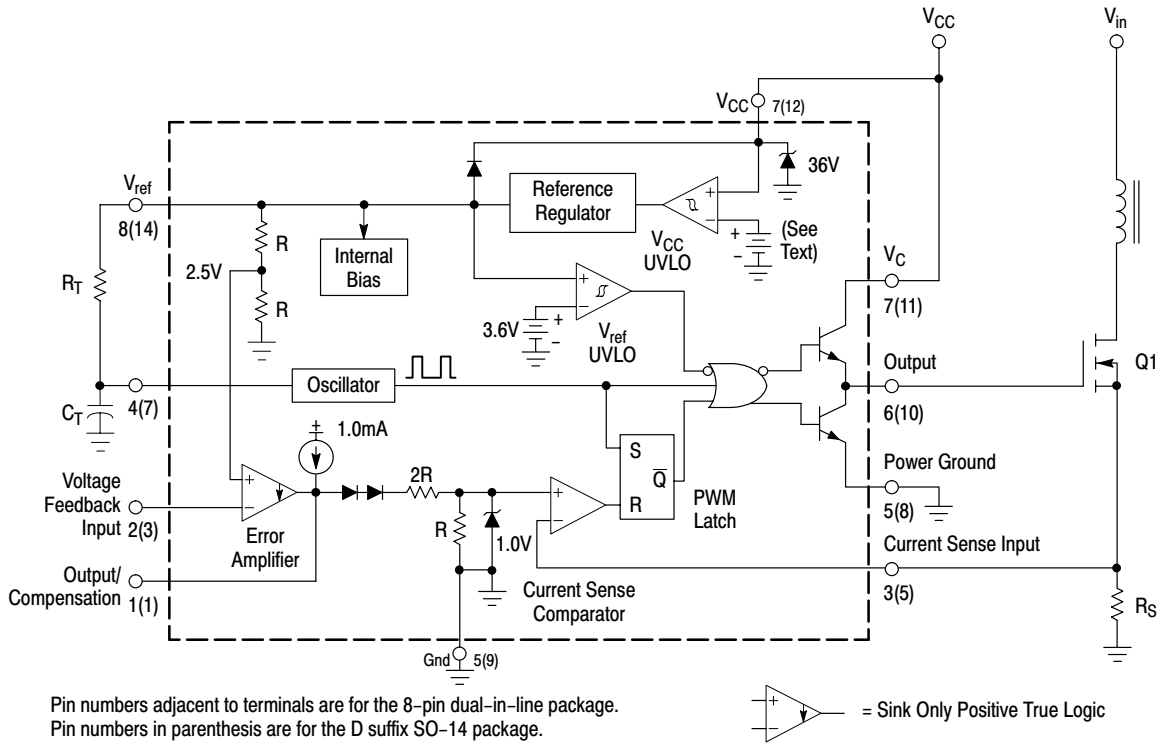


Figure 18. Representative Block Diagram

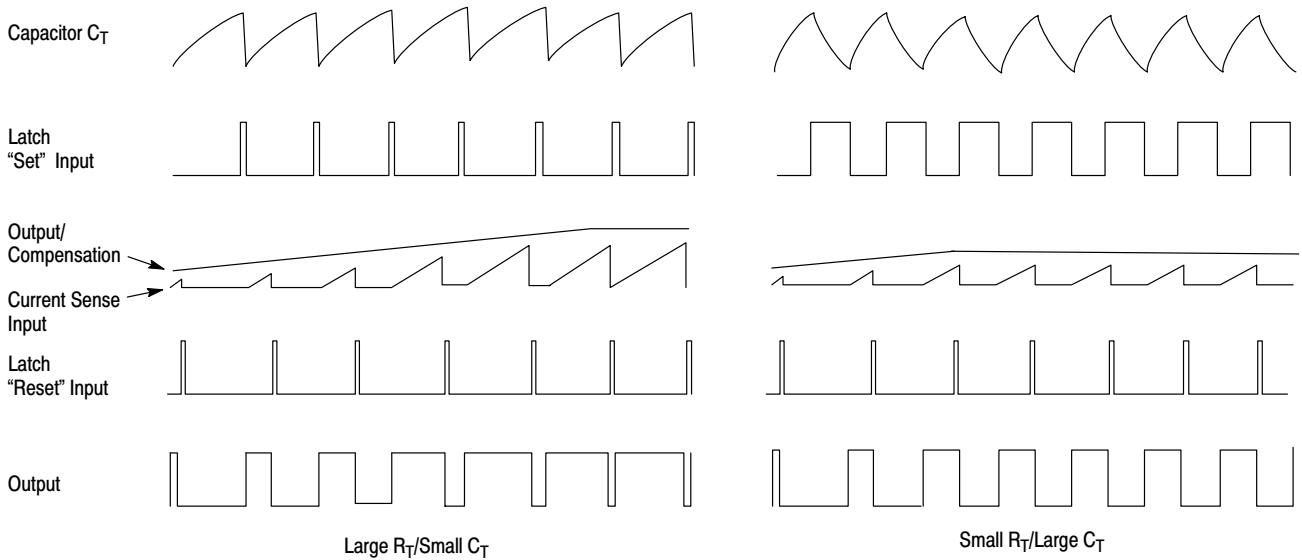


Figure 19. Timing Diagram

Undervoltage Lockout

Two undervoltage lockout comparators have been incorporated to guarantee that the IC is fully functional before the output stage is enabled. The positive power supply terminal (V_{CC}) and the reference output (V_{ref}) are each monitored by separate comparators. Each has built-in hysteresis to prevent erratic output behavior as their respective thresholds are crossed. The V_{CC} comparator upper and lower thresholds are 16 V/10 V for the UCX842B, and 8.4 V/7.6 V for the UCX843B. The V_{ref} comparator upper and lower thresholds are 3.6 V/3.4 V. The large hysteresis and low startup current of the UCX842B makes it ideally suited in off-line converter applications where efficient bootstrap startup techniques are required (Figure 34). The UCX843B is intended for lower voltage dc-to-dc converter applications. A 36 V zener is connected as a shunt regulator from V_{CC} to ground. Its purpose is to protect the IC from excessive voltage that can occur during system startup. The minimum operating voltage (V_{CC}) for the UCX842B is 11 V and 8.2 V for the UCX843B.

These devices contain a single totem pole output stage that was specifically designed for direct drive of power MOSFETs. It is capable of up to ± 1.0 A peak drive current and has a typical rise and fall time of 50 ns with a 1.0 nF load. Additional internal circuitry has been added to keep the Output in a sinking mode whenever an undervoltage lockout is active. This characteristic eliminates the need for an external pull-down resistor.

The SO-14 surface mount package provides separate pins for V_C (output supply) and Power Ground. Proper implementation will significantly reduce the level of switching transient noise imposed on the control circuitry. This becomes particularly useful when reducing the $I_{pk(max)}$ clamp level. The separate V_C supply input allows the designer added flexibility in tailoring the drive voltage independent of V_{CC} . A zener clamp is typically connected to this input when driving power MOSFETs in systems where V_{CC} is greater than 20 V. Figure 26 shows proper power and control ground connections in a current-sensing power MOSFET application.

Reference

The 5.0 V bandgap reference is trimmed to $\pm 1.0\%$ tolerance at $T_J = 25^\circ\text{C}$ on the UC284XB, and $\pm 2.0\%$ on the UC384XB. Its primary purpose is to supply charging current to the oscillator timing capacitor. The reference has short-circuit protection and is capable of providing in excess of 20 mA for powering additional control system circuitry.

Design Considerations

Do not attempt to construct the converter on wire-wrap or plug-in prototype boards. High frequency circuit layout techniques are imperative to prevent pulse-width jitter. This is usually caused by excessive noise pick-up imposed on the Current Sense or Voltage Feedback inputs. Noise immunity can be improved by lowering circuit impedances at these points. The printed circuit layout should contain a ground plane with low-current signal and high-current switch and output grounds returning on separate paths back to the input filter capacitor. Ceramic bypass capacitors (0.1 μF) connected directly to V_{CC} , V_C , and V_{ref} may be required depending upon circuit layout. This provides a low impedance path for filtering the high frequency noise. All high current loops should be kept as short as possible using heavy copper runs to minimize radiated EMI. The Error Amp compensation circuitry and the converter output voltage divider should be located close to the IC and as far as possible from the power switch and other noise-generating components.

Current mode converters can exhibit subharmonic oscillations when operating at a duty cycle greater than 50% with continuous inductor current. This instability is independent of the regulator's closed loop characteristics and is caused by the simultaneous operating conditions of fixed frequency and peak current detecting. Figure 20A shows the phenomenon graphically. At t_0 , switch conduction begins, causing the inductor current to rise at a slope of m_1 . This slope is a function of the input voltage divided by the inductance. At t_1 , the Current Sense Input reaches the threshold established by the control voltage. This causes the switch to turn off and the current to decay at a slope of m_2 , until the next oscillator cycle. The unstable condition can be shown if a perturbation is added to the control voltage, resulting in a small ΔI (dashed line). With a fixed oscillator period, the current decay time is reduced, and the minimum current at switch turn-on (t_2) is increased by $\Delta I + \Delta I m_2/m_1$. The minimum current at the next cycle (t_3) decreases to $(\Delta I + \Delta I m_2/m_1) (m_2/m_1)$. This perturbation is multiplied by m_2/m_1 on each succeeding cycle, alternately increasing and decreasing the inductor current at switch turn-on. Several oscillator cycles may be required before the inductor current reaches zero causing the process to commence again. If m_2/m_1 is greater than 1, the converter will be unstable. Figure 20B shows that by adding an artificial ramp that is synchronized with the PWM clock to the control voltage, the ΔI perturbation will decrease to zero on succeeding cycles. This compensating ramp (m_3) must have a slope equal to or slightly greater than $m_2/2$ for stability. With $m_2/2$ slope compensation, the average inductor current follows the control voltage, yielding true current mode operation. The compensating ramp can be derived from the oscillator and added to either the Voltage Feedback or Current Sense inputs (Figure 33).

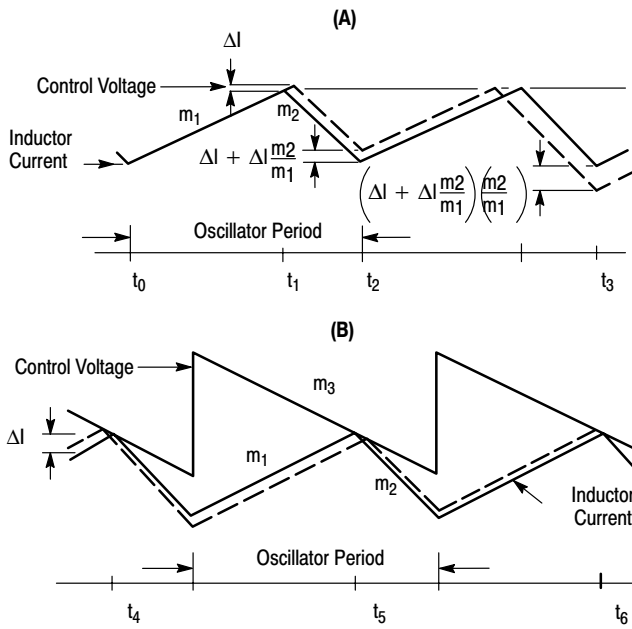
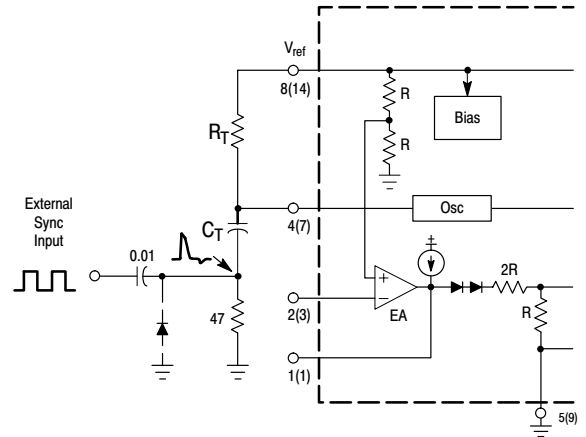


Figure 20. Continuous Current Waveforms



The diode clamp is required if the Sync amplitude is large enough to cause the bottom side of C_T to go more than 300 mV below ground.

Figure 21. External Clock Synchronization

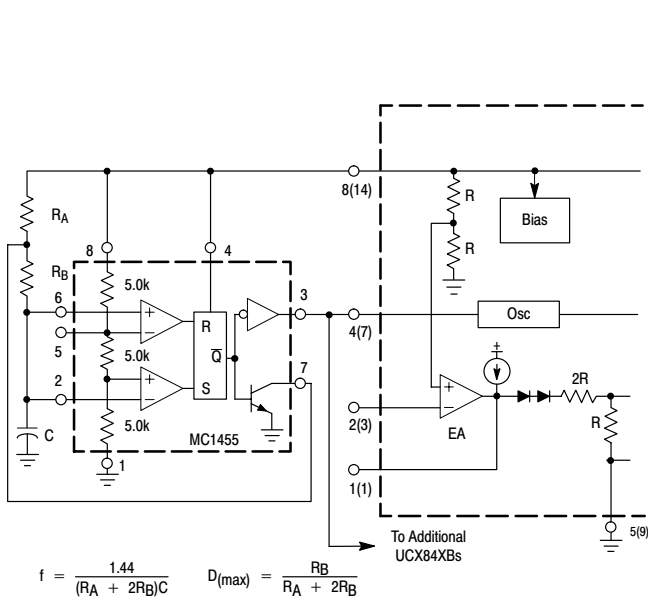


Figure 22. External Duty Cycle Clamp and Multi-Unit Synchronization

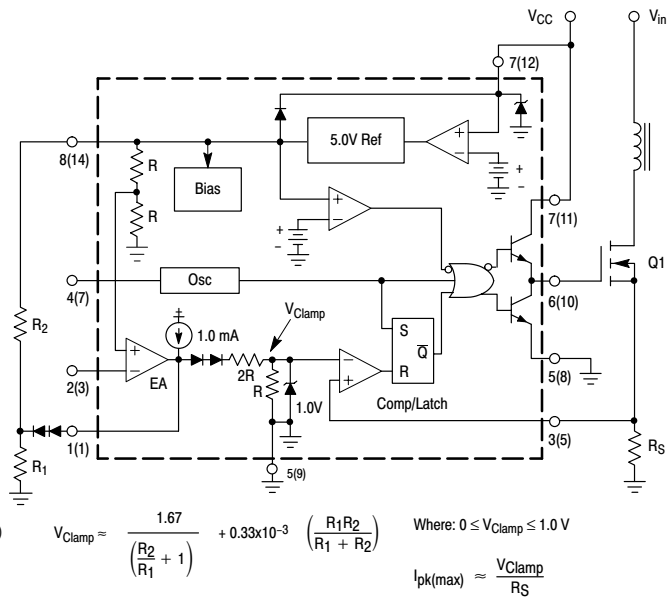


Figure 23. Adjustable Reduction of Clamp Level

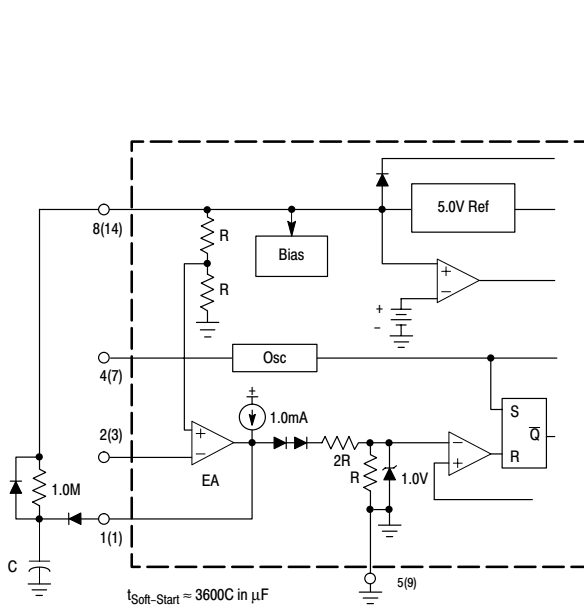


Figure 24. Soft-Start Circuit

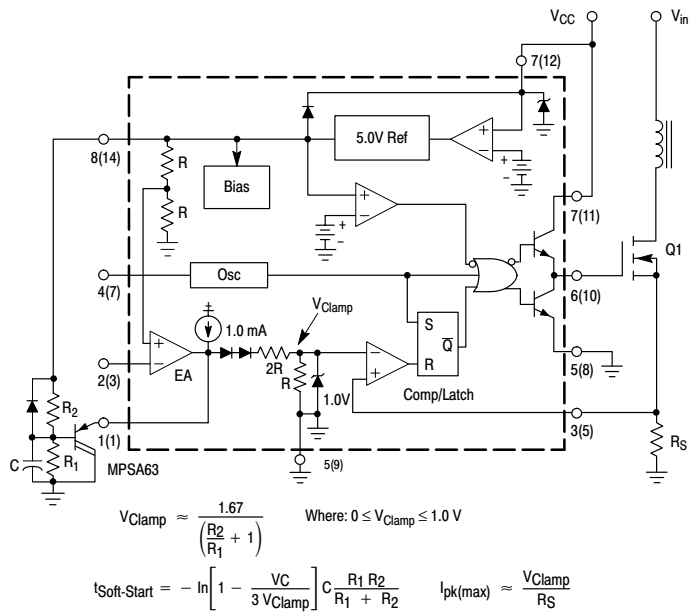
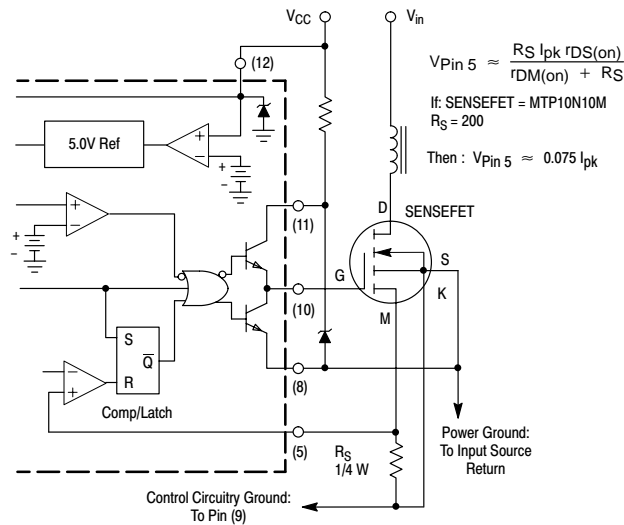


Figure 25. Adjustable Buffered Reduction of Clamp Level with Soft-Start



Virtually lossless current sensing can be achieved with the implementation of a SENSEFET power switch. For proper operation during over-current conditions, a reduction of the $I_{pk(max)}$ clamp level must be implemented. Refer to Figures 23 and 25.

Figure 26. Current Sensing Power MOSFET

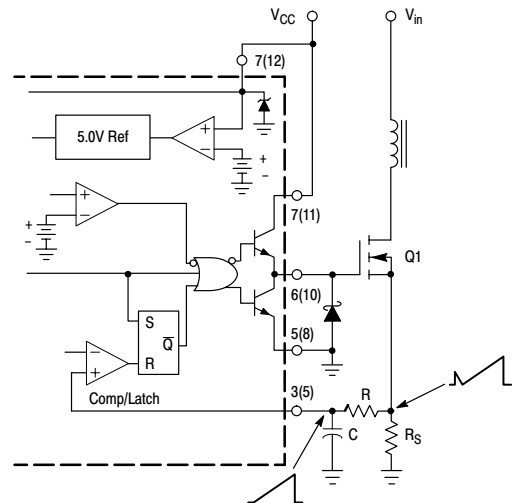
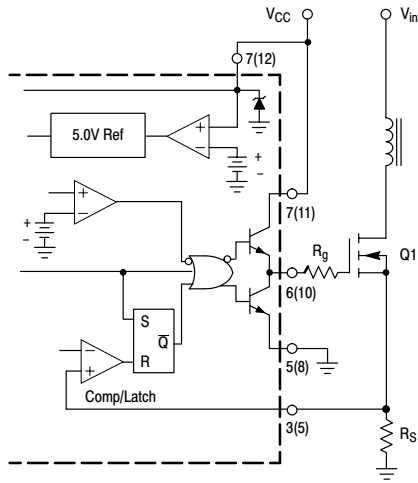


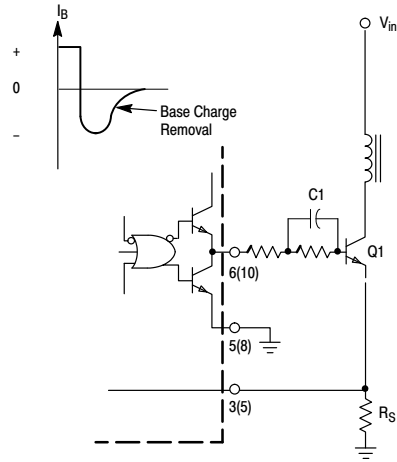
Figure 27. Current Waveform Spike Suppression

UC3842B, UC3843B, UC2842B, UC2843B, NCV3843BV



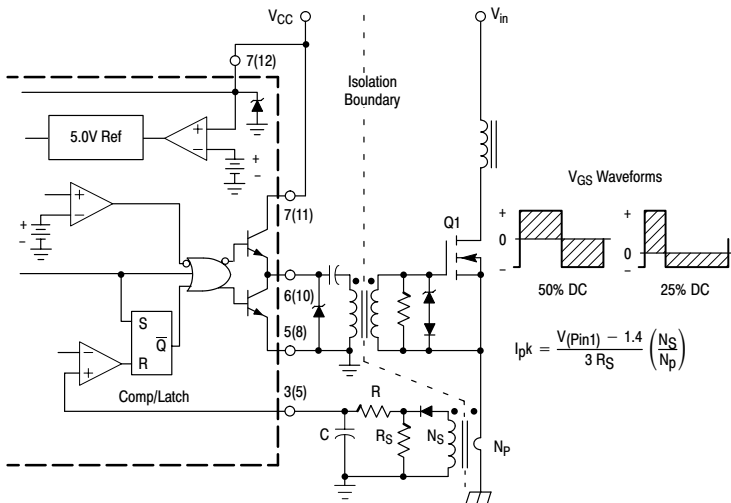
Series gate resistor R_g will damp any high frequency parasitic oscillations caused by the MOSFET input capacitance and any series wiring inductance in the gate-source circuit.

Figure 28. MOSFET Parasitic Oscillations



The totem pole output can furnish negative base current for enhanced transistor turn-off, with the addition of capacitor C_1 .

Figure 29. Bipolar Transistor Drive

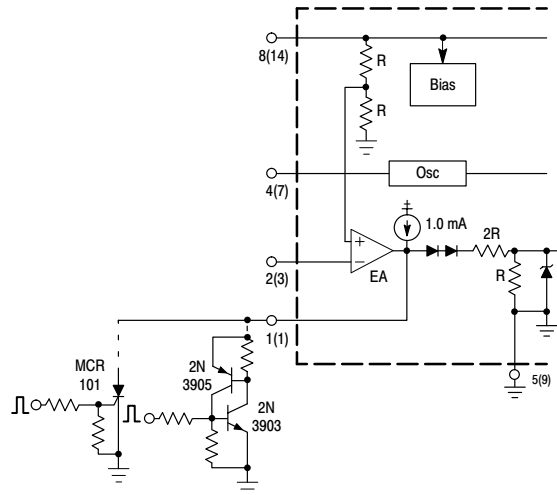


V_{GS} Waveforms

50% DC 25% DC

$$I_{pk} = \frac{V(Pin1) - 1.4}{3 R_S} \left(\frac{N_S}{N_p} \right)$$

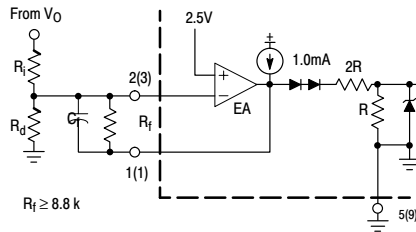
Figure 30. Isolated MOSFET Drive



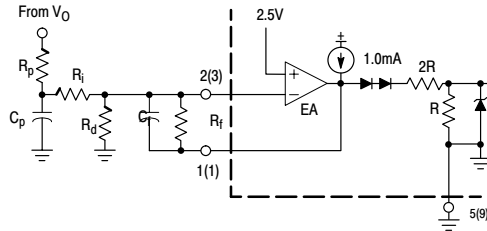
The MCR101 SCR must be selected for a holding of $< 0.5 \text{ mA}$ @ $T_A(\text{min})$. The simple two transistor circuit can be used in place of the SCR as shown. All resistors are 10 k.

Figure 31. Latched Shutdown

UC3842B, UC3843B, UC2842B, UC2843B, NCV3843BV

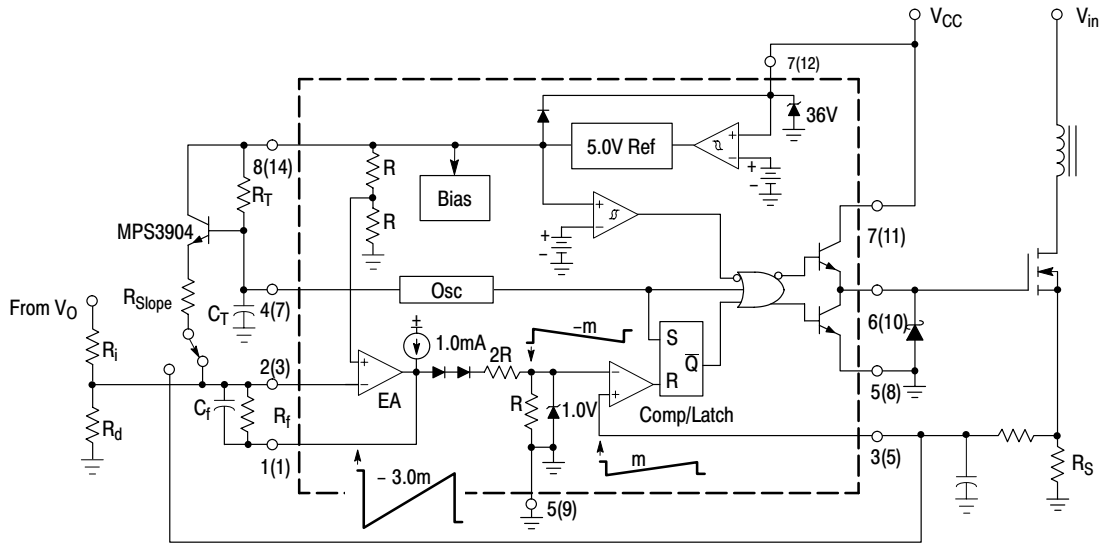


Error Amp compensation circuit for stabilizing any current mode topology except for boost and flyback converters operating with continuous inductor current.



Error Amp compensation circuit for stabilizing current mode boost and flyback topologies operating with continuous inductor current.

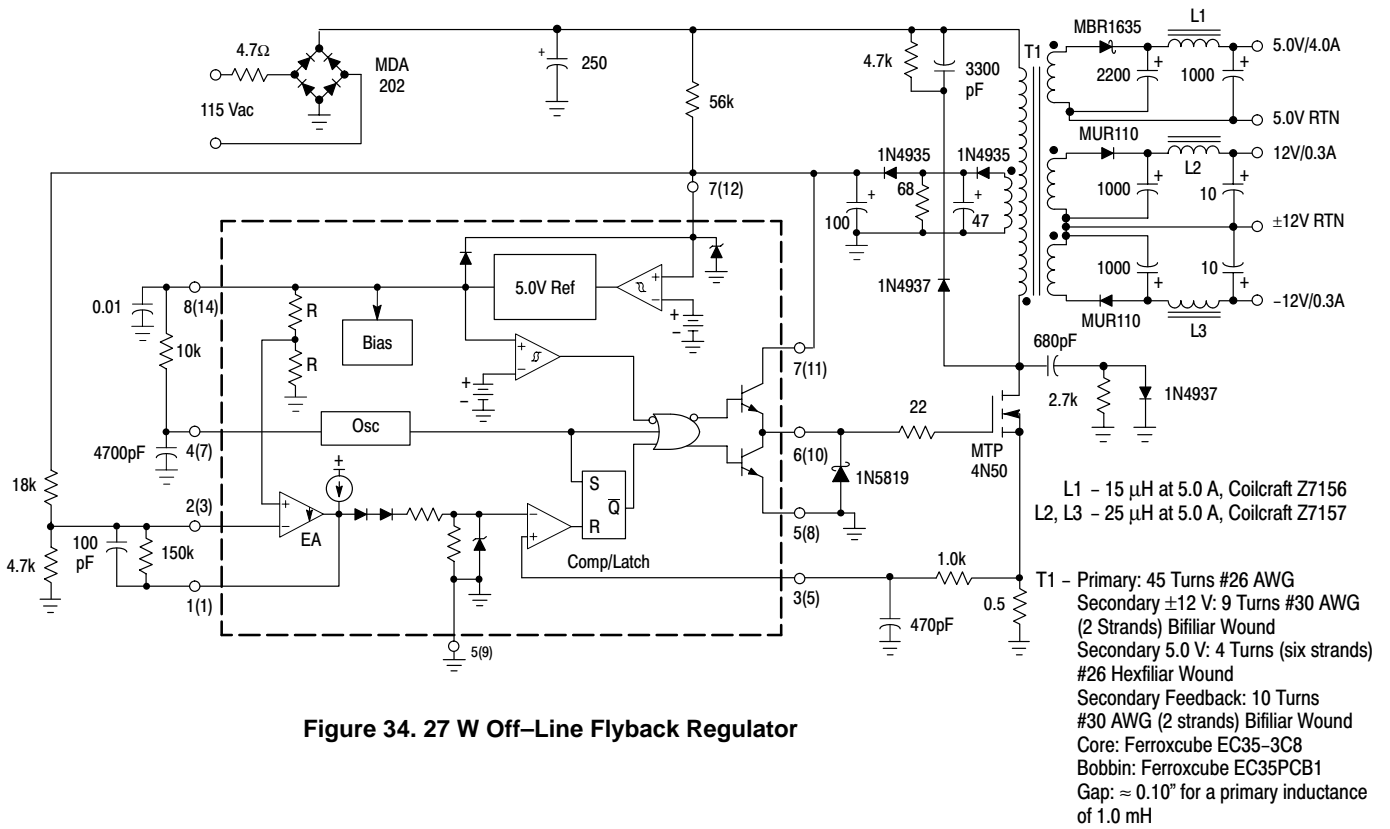
Figure 32. Error Amplifier Compensation



The buffered oscillator ramp can be resistively summed with either the voltage feedback or current sense inputs to provide slope compensation.

Figure 33. Slope Compensation

UC3842B, UC3843B, UC2842B, UC2843B, NCV3843BV



| Test | Conditions | Results |
|----------------------------------|--|--|
| Line Regulation: 5.0 V \pm 12V | $V_{in} = 95$ to 130 Vac | $\Delta = 50$ mV or $\pm 0.5\%$ $\Delta = 24$ mV or $\pm 0.1\%$ |
| Load Regulation: 5.0 V \pm 12V | $V_{in} = 115$ Vac, $I_{out} = 1.0$ A to 4.0 A $V_{in} = 115$ Vac, $I_{out} = 100$ mA to 300 mA | $\Delta = 300$ mV or $\pm 3.0\%$ $\Delta = 60$ mV or $\pm 0.25\%$ |
| Output Ripple: 5.0 V \pm 12V | $V_{in} = 115$ Vac | 40 mV _{pp} 80 mV _{pp} |
| Efficiency | $V_{in} = 115$ Vac | 70% |

All outputs are at nominal load currents, unless otherwise noted

UC3842B, UC3843B, UC2842B, UC2843B, NCV3843BV

ORDERING INFORMATION

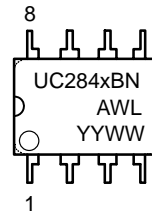
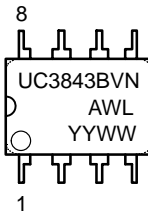
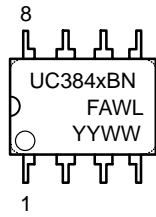
| Device | Operating Temperature Range | Package | Shipping |
|--------------|--|---|------------------|
| UC384XBD | $T_A = 0^\circ \text{ to } +70^\circ\text{C}$ | SO-14 | 55 Units/Rail |
| UC384XBDR2 | | SO-14 | 2500 Tape & Reel |
| UC384XBD1 | | SO-8 | 98 Units/Rail |
| UC384XBD1R2 | | SO-8 | 2500 Tape & Reel |
| UC384XBN | | PDIP-8 | 50 Units/Rail |
| UC3842BN1 | | PDIP-8 | 50 Units/Rail |
| UC284XBD | | $T_A = -25^\circ \text{ to } +85^\circ\text{C}$ | SO-14 |
| UC2843BDR2 | SO-14 | | 2500 Tape & Reel |
| UC284XBD1 | SO-8 | | 98 Units/Rail |
| UC284XBD1R2 | SO-8 | | 2500 Tape & Reel |
| UC284XBN | PDIP-8 | | 50 Units/Rail |
| UC3843BVD | $T_A = -40^\circ \text{ to } +105^\circ\text{C}$ | | SO-14 |
| UC384XBVDR2 | | SO-14 | 2500 Tape & Reel |
| UC384XBVD1 | | SO-8 | 98 Units/Rail |
| UC384XBVD1R2 | | SO-8 | 2500 Tape & Reel |
| UC3843BVN | | PDIP-8 | 50 Units/Rail |
| NCV3843BVDR2 | | SO-14 | 2500 Tape & Reel |

X indicates either a 2 or 3 to define specific device part numbers.

UC3842B, UC3843B, UC2842B, UC2843B, NCV3843BV

MARKING DIAGRAMS

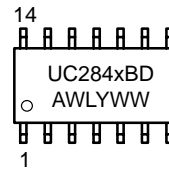
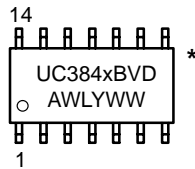
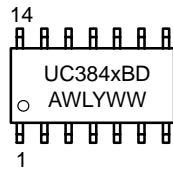
PDIP-8 N SUFFIX CASE 626



SO-8 D1 SUFFIX CASE 751



SO-14 D SUFFIX CASE 751A



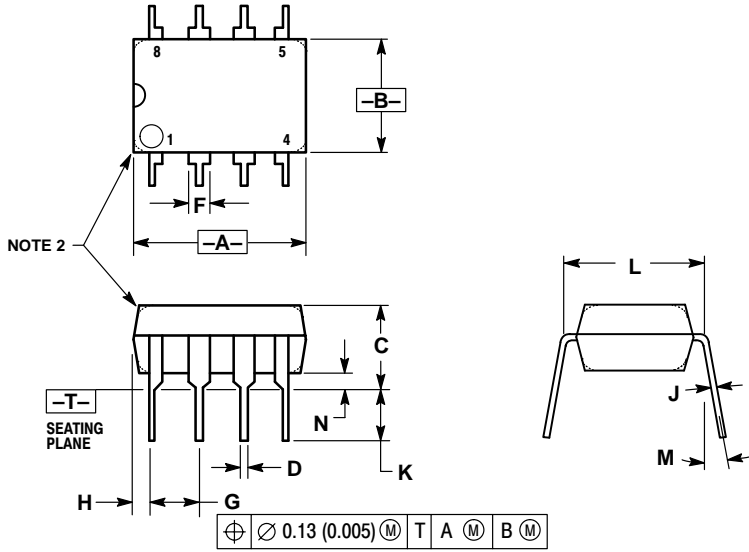
x = 2 or 3
 A = Assembly Location
 WL, L = Wafer Lot
 YY, Y = Year
 WW, W = Work Week

*This marking diagram also applies to NCV3843BV.

UC3842B, UC3843B, UC2842B, UC2843B, NCV3843BV

PACKAGE DIMENSIONS

PDIP-8
N SUFFIX
CASE 626-05
ISSUE L

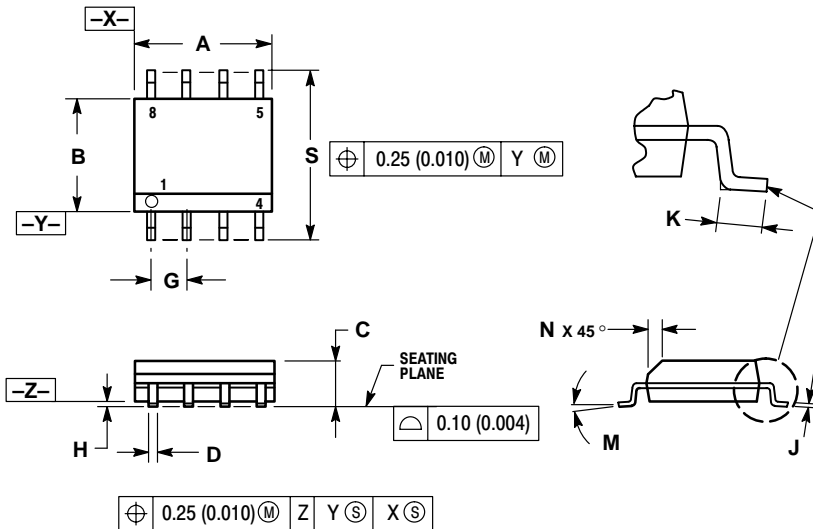


NOTES:

1. DIMENSION L TO CENTER OF LEAD WHEN FORMED PARALLEL.
2. PACKAGE CONTOUR OPTIONAL (ROUND OR SQUARE CORNERS).
3. DIMENSIONING AND TOLERANCING PER ANSI Y14.5M, 1982.

| DIM | MILLIMETERS | | INCHES | |
|-----|-------------|-------|-----------|-------|
| | MIN | MAX | MIN | MAX |
| A | 9.40 | 10.16 | 0.370 | 0.400 |
| B | 6.10 | 6.60 | 0.240 | 0.260 |
| C | 3.94 | 4.45 | 0.155 | 0.175 |
| D | 0.38 | 0.51 | 0.015 | 0.020 |
| F | 1.02 | 1.78 | 0.040 | 0.070 |
| G | 2.54 BSC | | 0.100 BSC | |
| H | 0.76 | 1.27 | 0.030 | 0.050 |
| J | 0.20 | 0.30 | 0.008 | 0.012 |
| K | 2.92 | 3.43 | 0.115 | 0.135 |
| L | 7.62 BSC | | 0.300 BSC | |
| M | --- | 10° | --- | 10° |
| N | 0.76 | 1.01 | 0.030 | 0.040 |

SO-8
D1 SUFFIX
CASE 751-07
ISSUE W



NOTES:

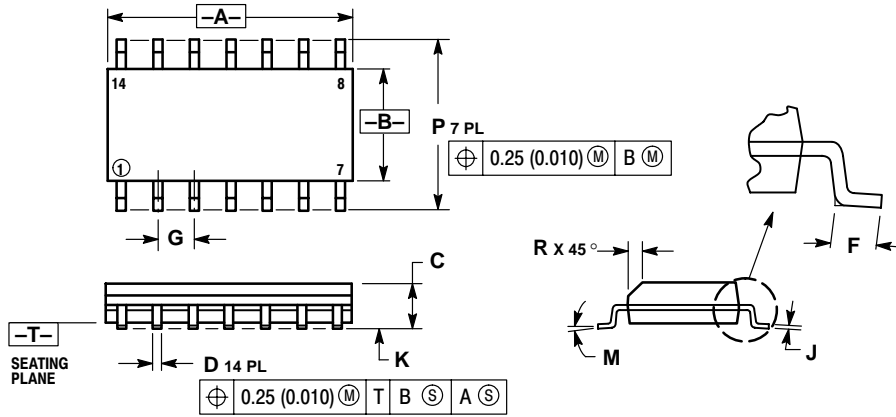
1. DIMENSIONING AND TOLERANCING PER ANSI Y14.5M, 1982.
2. CONTROLLING DIMENSION: MILLIMETER.
3. DIMENSION A AND B DO NOT INCLUDE MOLD PROTRUSION.
4. MAXIMUM MOLD PROTRUSION 0.15 (0.006) PER SIDE.
5. DIMENSION D DOES NOT INCLUDE DAMBAR PROTRUSION. ALLOWABLE DAMBAR PROTRUSION SHALL BE 0.127 (0.005) TOTAL IN EXCESS OF THE D DIMENSION AT MAXIMUM MATERIAL CONDITION.

| DIM | MILLIMETERS | | INCHES | |
|-----|-------------|------|-----------|-------|
| | MIN | MAX | MIN | MAX |
| A | 4.80 | 5.00 | 0.189 | 0.197 |
| B | 3.80 | 4.00 | 0.150 | 0.157 |
| C | 1.35 | 1.75 | 0.053 | 0.069 |
| D | 0.33 | 0.51 | 0.013 | 0.020 |
| G | 1.27 BSC | | 0.050 BSC | |
| H | 0.10 | 0.25 | 0.004 | 0.010 |
| J | 0.19 | 0.25 | 0.007 | 0.010 |
| K | 0.40 | 1.27 | 0.016 | 0.050 |
| M | 0° 8° | | 0° 8° | |
| N | 0.25 | 0.50 | 0.010 | 0.020 |
| S | 5.80 | 6.20 | 0.228 | 0.244 |

UC3842B, UC3843B, UC2842B, UC2843B, NCV3843BV

PACKAGE DIMENSIONS

SO-14
D SUFFIX
CASE 751A-03
ISSUE F




NOTES:

1. DIMENSIONING AND TOLERANCING PER ANSI Y14.5M, 1982.
2. CONTROLLING DIMENSION: MILLIMETER.
3. DIMENSIONS A AND B DO NOT INCLUDE MOLD PROTRUSION.
4. MAXIMUM MOLD PROTRUSION 0.15 (0.006) PER SIDE.
5. DIMENSION D DOES NOT INCLUDE DAMBAR PROTRUSION. ALLOWABLE DAMBAR PROTRUSION SHALL BE 0.127 (0.005) TOTAL IN EXCESS OF THE D DIMENSION AT MAXIMUM MATERIAL CONDITION.

| DIM | MILLIMETERS | | INCHES | |
|-----|-------------|------|-----------|-------|
| | MIN | MAX | MIN | MAX |
| A | 8.55 | 8.75 | 0.337 | 0.344 |
| B | 3.80 | 4.00 | 0.150 | 0.157 |
| C | 1.35 | 1.75 | 0.054 | 0.068 |
| D | 0.35 | 0.49 | 0.014 | 0.019 |
| F | 0.40 | 1.25 | 0.016 | 0.049 |
| G | 1.27 BSC | | 0.050 BSC | |
| J | 0.19 | 0.25 | 0.008 | 0.009 |
| K | 0.10 | 0.25 | 0.004 | 0.009 |
| M | 0° | 7° | 0° | 7° |
| P | 5.80 | 6.20 | 0.228 | 0.244 |
| R | 0.25 | 0.50 | 0.010 | 0.019 |

SENSEFET is a trademark of Semiconductor Components Industries, LLC.

ON Semiconductor and  are trademarks of Semiconductor Components Industries, LLC (SCILLC). SCILLC reserves the right to make changes without further notice to any products herein. SCILLC makes no warranty, representation or guarantee regarding the suitability of its products for any particular purpose, nor does SCILLC assume any liability arising out of the application or use of any product or circuit, and specifically disclaims any and all liability, including without limitation special, consequential or incidental damages. "Typical" parameters which may be provided in SCILLC data sheets and/or specifications can and do vary in different applications and actual performance may vary over time. All operating parameters, including "Typicals" must be validated for each customer application by customer's technical experts. SCILLC does not convey any license under its patent rights nor the rights of others. SCILLC products are not designed, intended, or authorized for use as components in systems intended for surgical implant into the body, or other applications intended to support or sustain life, or for any other application in which the failure of the SCILLC product could create a situation where personal injury or death may occur. Should Buyer purchase or use SCILLC products for any such unintended or unauthorized application, Buyer shall indemnify and hold SCILLC and its officers, employees, subsidiaries, affiliates, and distributors harmless against all claims, costs, damages, and expenses, and reasonable attorney fees arising out of, directly or indirectly, any claim of personal injury or death associated with such unintended or unauthorized use, even if such claim alleges that SCILLC was negligent regarding the design or manufacture of the part. SCILLC is an Equal Opportunity/Affirmative Action Employer.

PUBLICATION ORDERING INFORMATION

Literature Fulfillment:

Literature Distribution Center for ON Semiconductor
P.O. Box 5163, Denver, Colorado 80217 USA
Phone: 303-675-2175 or 800-344-3860 Toll Free USA/Canada
Fax: 303-675-2176 or 800-344-3867 Toll Free USA/Canada
Email: ONlit@hibbertco.com

N. American Technical Support: 800-282-9855 Toll Free USA/Canada

JAPAN: ON Semiconductor, Japan Customer Focus Center
4-32-1 Nishi-Gotanda, Shinagawa-ku, Tokyo, Japan 141-0031
Phone: 81-3-5740-2700
Email: r14525@onsemi.com

ON Semiconductor Website: <http://onsemi.com>

For additional information, please contact your local Sales Representative.