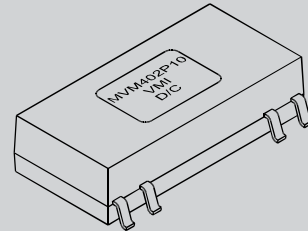
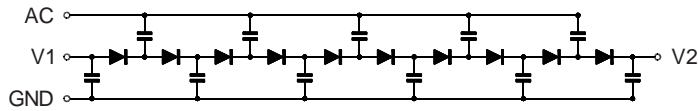


# 4000 V Miniature Hybrid Multiplier

0.0  $\mu$ A - 200.0  $\mu$ A Output Current  
10 Stages

## MVM402P10

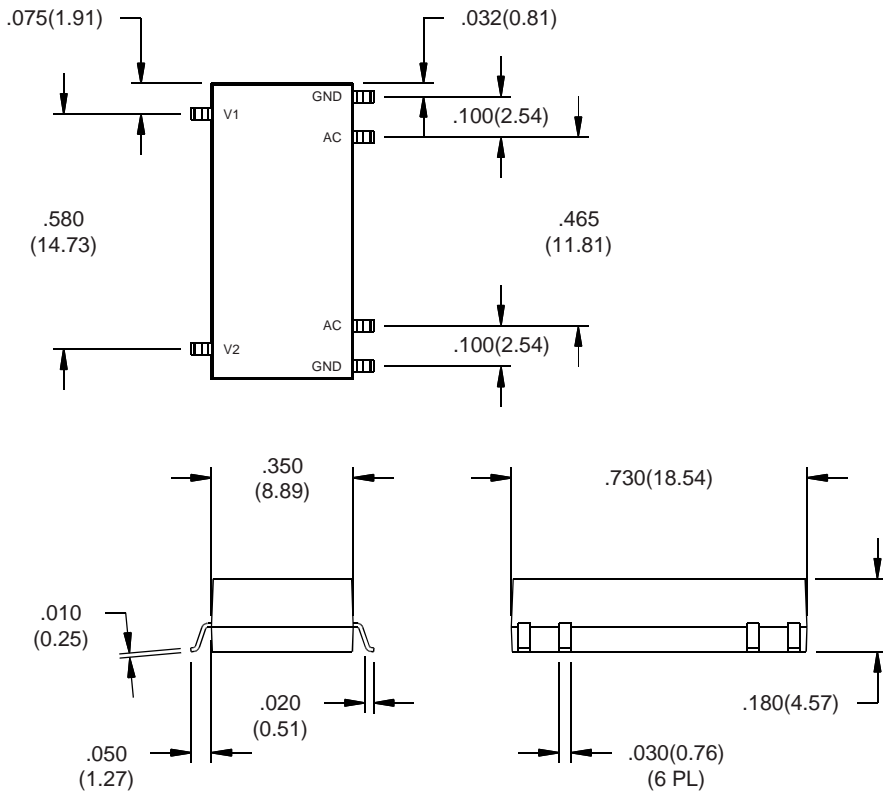


### ELECTRICAL CHARACTERISTICS AND MAXIMUM RATINGS

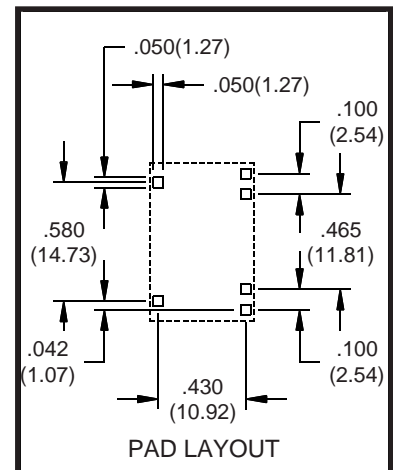
Part Number	Maximum A.C. Input Voltage	Maximum D.C. Output Voltage	Maximum D.C. Output Voltage (Two Multipliers in Series)	Typical Output Current Range (1)	Typical Frequency	Number of Stages
	$V_{PP}$	$V_{DC}$	$V_{DC}$	$\mu$ A	kHz	
MVM402P10	900	4000	6000	0.0 - 200.0	10 - 100	10

Operating Temp: -55°C to +150°C      Storage Temp: -65°C to +150°C

(1) Refer to load lines on next page.



Plating:  
200-300 $\mu$ in 90/10 tinlead over 50 $\mu$ in nickel.



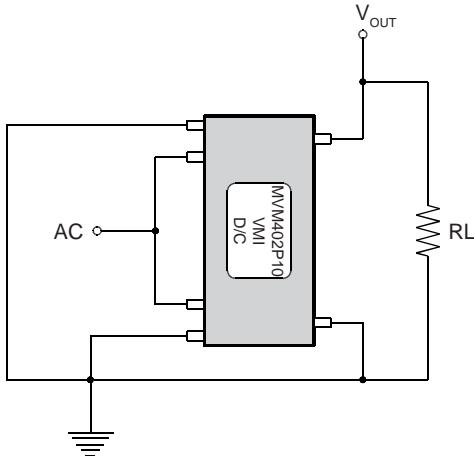
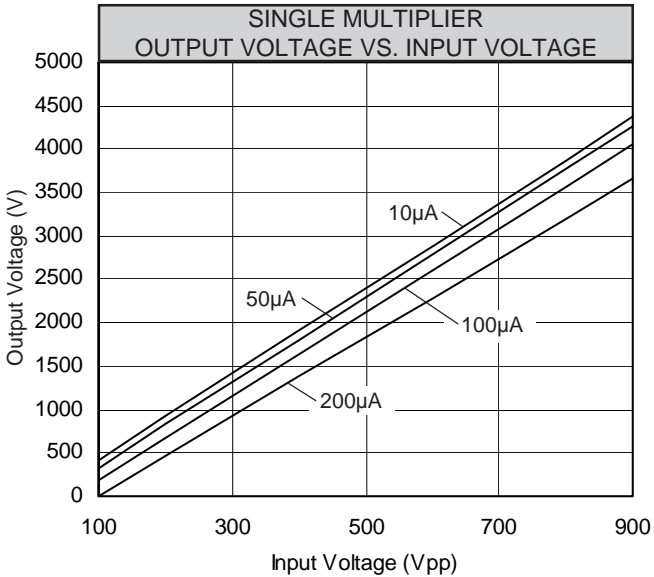
Dimensions: In. (mm) • All temperatures are ambient unless otherwise noted. • Data subject to change without notice.



**VOLTAGE MULTIPLIERS INC.**  
8711 W. Roosevelt Ave.  
Visalia, CA 93291

TEL 559-651-1402  
FAX 559-651-0740  
www.voltagemultipliers.com

# MVM402P10



Typical Single Multiplier Circuit