

1.00mm (0.039") PITCH CONNECTOR

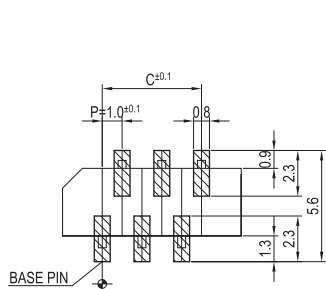
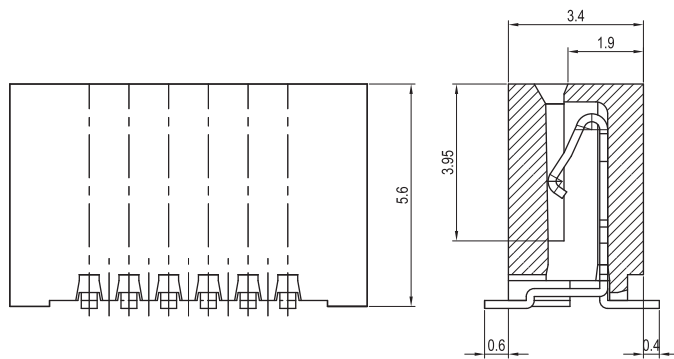
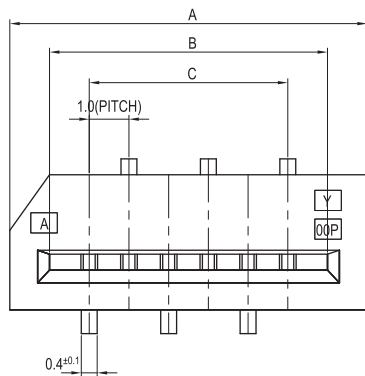
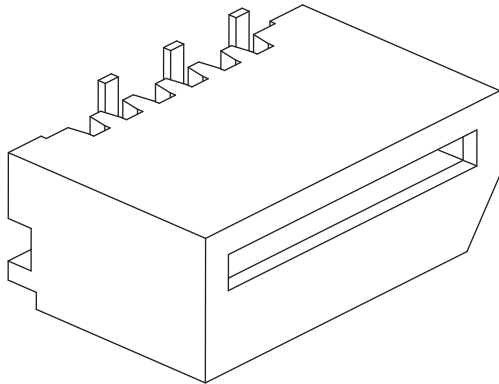


FPC/FFC Connector Housing

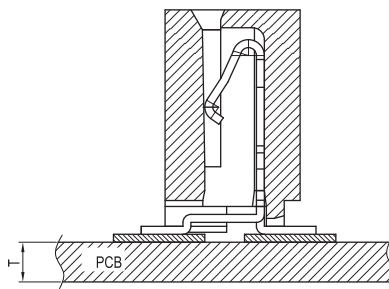
10024HS Series

SMT, NON-ZIF(Vertical Type)

Straight



PCB LAYOUT



PCB ASS'Y

Material

I/NO	DESCRIPTION	TITLE	MATERIAL
1	HOUSING	10024HS	PPS & PA46, PA6T, UL 94V Grade
2	TERMINAL	10024TS	Phosphor Bronze & Tin plated

Available Pin

PARTS NO.	A	B	C
10024HS-03A00	6.0	4.0	2.0
10024HS-04A00	7.0	5.0	3.0
10024HS-05A00	8.0	6.0	4.0
10024HS-06A00	9.0	7.0	5.0
10024HS-07A00	10.0	8.0	6.0
10024HS-08A00	11.0	9.0	7.0
10024HS-09A00	12.0	10.0	8.0
10024HS-10A00	13.0	11.0	9.0
10024HS-11A00	14.0	12.0	10.0
10024HS-12A00	15.0	13.0	11.0
10024HS-13A00	16.0	14.0	12.0
10024HS-14A00	17.0	15.0	13.0
10024HS-15A00	18.0	16.0	14.0
10024HS-16A00	19.0	17.0	15.0
10024HS-17A00	20.0	18.0	16.0
10024HS-18A00	21.0	19.0	17.0
10024HS-19A00	22.0	20.0	18.0
10024HS-20A00	23.0	21.0	19.0
10024HS-21A00	24.0	22.0	20.0
10024HS-22A00	25.0	23.0	21.0
10024HS-23A00	26.0	24.0	22.0
10024HS-24A00	27.0	25.0	23.0
10024HS-25A00	28.0	26.0	24.0
10024HS-26A00	29.0	27.0	25.0
10024HS-27A00	30.0	28.0	26.0
10024HS-28A00	31.0	29.0	27.0
10024HS-29A00	32.0	30.0	28.0
10024HS-30A00	33.0	31.0	29.0
10024HS-31A00	34.0	32.0	30.0
10024HS-32A00	35.0	33.0	31.0
10024HS-33A00	36.0	34.0	32.0
10024HS-34A00	37.0	35.0	33.0
10024HS-35A00	38.0	36.0	34.0
10024HS-36A00	39.0	37.0	35.0
10024HS-37A00	40.0	38.0	36.0
10024HS-38A00	41.0	39.0	37.0
10024HS-39A00	42.0	40.0	38.0
10024HS-40A00	43.0	41.0	39.0

Specification

ITEM	SPEC
Voltage Rating	AC/DC 50V
Current Rating	AC/DC 0.5A
Operating Temperature	-25°C ~ +85°C
Contact Resistance	30mΩ MAX
Withstanding Voltage	AC500V/1min
Insulation Resistance	100MΩ MIN
Applicable Wire	-
Applicable P.C.B	0.8 ~ 1.6mm
Applicable FPC/FFC	0.30±0.05mm
Solder Height	0.15mm
Crimp Tensile Strength	-
UL FILE NO	-