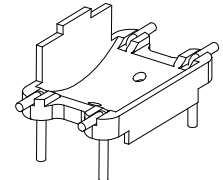
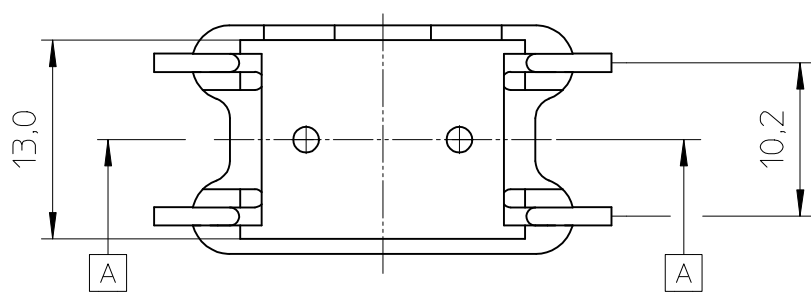
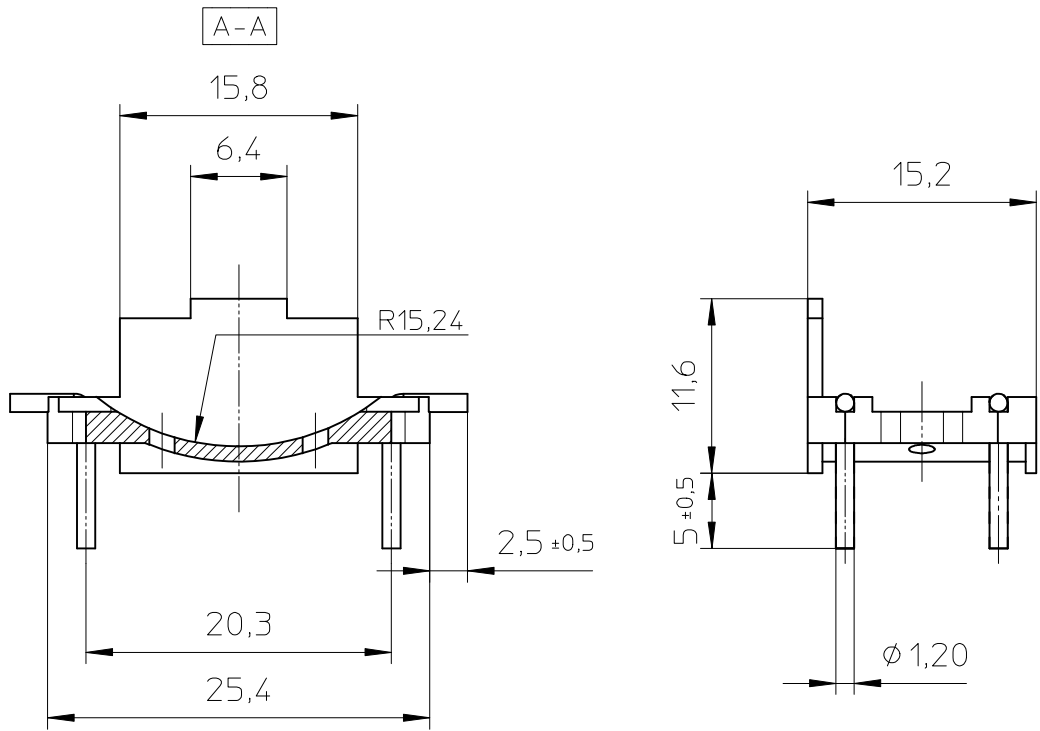


1 2 3 4



Coil former material: Zytel FR50 (PA6.6), glass-reinforced.  
 UL file number: 41938 - UL94V-0.  
 Pin material: Copper-plated steel wire, Sn plated.  
 Max. operating temp.: acc. to IEC 60 085 130°C.  
 Resistance to soldering heat: acc. to IEC 60 068-2-20 Part 2, Test Tb, method 1B, 350°C-3,5s  
 Solderability: acc. to IEC 60 068-2-20 Part 2, Test Ta, method 1, 235°C-2s

CLASS.NO.			07-01-23
			07-02-19
	TGP-30-4PD-Z	4322 021 06631	
NAME NAAM	A.Wojtasz	SUPERS. VERV.	1 SH SH BL BL 112 - 001 010
MPA	CHECK CONTR.	DAT.	07-01-23
		Property of Eigendom van	© FERROXCUBE 2007
			A4

