



VOLTAGE STABILIZER

Service Types CV1832, CV8161

The data to be read in conjunction with the Voltage Stabilizer Preamble.

DESCRIPTION

The 0A2 is a single gap cold cathode gas-filled voltage stabilizer with a B7G base. It is designed to provide a sensibly constant voltage output of 150 volts over the current range 5.0 to 30mA.

GENERAL DATA

Characteristics

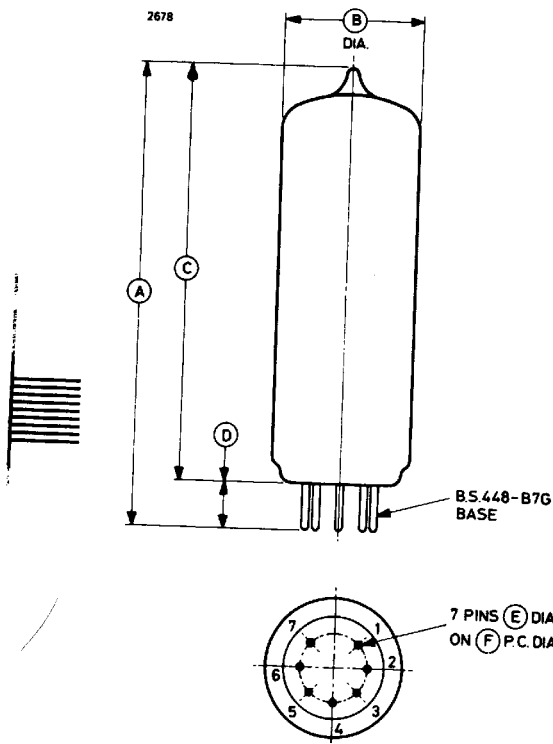
Striking voltage in normal lighting	185	V max
Striking voltage in total darkness	225	V max
Operating voltage (approx)	150	V
Operating voltage at 30mA	165	V max
Operating voltage at 5.0mA	142	V min
Cathode current range	5.0 to 30	mA
Regulation over current range 5.0 to 30mA	6.0	V max
Noise (r.m.s.) (50 to 5000Hz) over the current range 5.0 to 30mA	5.0	mV max
Ambient temperature range	-55 to +90	°C



Mechanical

Overall length	2.618 inches (66.5mm) max
Seated height	2.366 inches (60.1mm) max
Overall diameter	0.748 inch (19.0mm) max
Mounting position	any
Base	B.S.448-B7G

OUTLINE (All dimensions without limits are nominal)



Ref	Inches	Millimetres
A	2.618 max	66.5 max
B	0.748 max	19.0 max
C	2.366 max	60.1 max
D	0.281 max	7.14 max
E	0.040	1.02
F	0.375	9.53

Millimetre dimensions have been derived from inches.

Pin	Element
1	Anode
2	Cathode
3	Internal connection
4	Cathode
5	Anode
6	Internal connection
7	Cathode