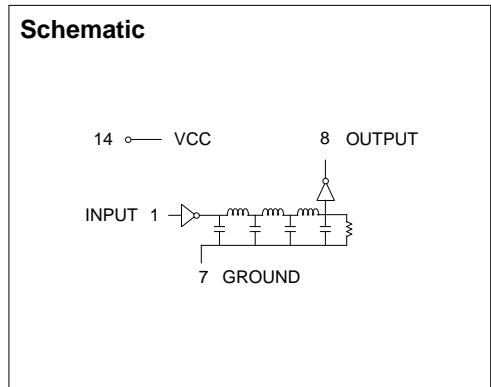


# 14 Pin DIP Single Output TTL Compatible Active Delay Lines

TIME DELAYS (nS) ±5% or ±2 nS†	PART NUMBER	TIME DELAYS (nS) ±5% or ±2 nS†	PART NUMBER	TIME DELAYS (nS) ±5% or ±2 nS†	PART NUMBER
5	EP9430-5	23	EP9430-23	125	EP9430-125
6	EP9430-6	24	EP9430-24	150	EP9430-150
7	EP9430-7	25	EP9430-25	175	EP9430-175
8	EP9430-8	30	EP9430-30	200	EP9430-200
9	EP9430-9	35	EP9430-35	225	EP9430-225
10	EP9430-10	40	EP9430-40	250	EP9430-250
11	EP9430-11	45	EP9430-45	275	EP9430-275
12	EP9430-12	50	EP9430-50	300	EP9430-300
13	EP9430-13	55	EP9430-55	350	EP9430-350
14	EP9430-14	60	EP9430-60	400	EP9430-400
15	EP9430-15	65	EP9430-65	500	EP9430-500
16	EP9430-16	70	EP9430-70	600	EP9430-600
17	EP9430-17	75	EP9430-75	700	EP9430-700
18	EP9430-18	80	EP9430-80	800	EP9430-800
19	EP9430-19	85	EP9430-85	900	EP9430-900
20	EP9430-20	90	EP9430-90	1000	EP9430-1000
21	EP9430-21	95	EP9430-95		
22	EP9430-22	100	EP9430-100		

† Whichever is greater. Delay Times referenced from input to leading edges at 25°C, 5.0V, with no load.

DC Electrical Characteristics					
Parameter	Test Conditions	Min	Max	Unit	
V <sub>OH</sub>	High-Level Output Voltage	V <sub>CC</sub> = min. V <sub>IL</sub> = max. I <sub>OH</sub> = max	2.7		V
V <sub>OL</sub>	Low-Level Output Voltage	V <sub>CC</sub> = min. V <sub>IH</sub> = min. I <sub>OL</sub> = max		0.5	V
V <sub>IK</sub>	Input Clamp Voltage	V <sub>CC</sub> = min. I <sub>I</sub> = I <sub>IK</sub>		-1.2	V
I <sub>IH</sub>	High-Level Input Current	V <sub>CC</sub> = max. V <sub>IN</sub> = 2.7V		50	µA
		V <sub>CC</sub> = max. V <sub>IN</sub> = 5.25V		1.0	mA
I <sub>IL</sub>	Low-Level Input Current	V <sub>CC</sub> = max. V <sub>IN</sub> = 0.5V		-2	mA
I <sub>OS</sub>	Short Circuit Output Current	V <sub>CC</sub> = max. V <sub>OUT</sub> = 0.	-40	-100	mA
I <sub>CCH</sub>	High-Level Supply Current	V <sub>CC</sub> = max. V <sub>IN</sub> = OPEN		75	mA
I <sub>CCL</sub>	Low-Level Supply Current	V <sub>CC</sub> = max. V <sub>IN</sub> = 0		75	mA
T <sub>RO</sub>	Output Rise Time	Td 500 nS (0.75 to 2.4 Volts)		4	nS
N <sub>H</sub>	Fanout High-Level Output	V <sub>CC</sub> = max. V <sub>OH</sub> = 2.7V		20 TTL LOAD	
N <sub>L</sub>	Fanout Low-Level Output	V <sub>CC</sub> = max. V <sub>OL</sub> = 0.5V		10 TTL LOAD	



Recommended Operating Conditions				
		Min	Max	Unit
V <sub>CC</sub>	Supply Voltage	4.75	5.25	V
V <sub>IH</sub>	High-Level Input Voltage	2.0		V
V <sub>IL</sub>	Low-Level Input Voltage		0.8	V
I <sub>IK</sub>	Input Clamp Current		-18	mA
I <sub>OH</sub>	High-Level Output Current		-1.0	mA
I <sub>OL</sub>	Low-Level Output Current		20	mA
PW*	Pulse Width of Total Delay	40		%
d*	Duty Cycle		40	%
T <sub>A</sub>	Operating Free-Air Temperature	0	+70	°C

\*These two values are inter-dependent.

Input Pulse Test Conditions @ 25° C				Unit
E <sub>IN</sub>	Pulse Input Voltage		3.2	Volts
PW	Pulse Width % of Total Delay		110	%
T <sub>RI</sub>	Pulse Rise Time (0.75 - 2.4 Volts)		2.0	nS
PRR	Pulse Repetition Rate @ Td < 200 nS		1.0	MHz
	Pulse Repetition Rate @ Td > 200 nS		100	KHz
V <sub>CC</sub>	Supply Voltage		5.0	Volts

