

# Microcontrollers

ApNote

AP242401

## Ceramic Resonator Oscillators and the C500 and C166 Microcontroller Families

The microcontrollers of the C500/C166 Family include the active part of the oscillator. This document explains the ceramic resonator oscillator functionality and gives recommendations for the right composition of external circuits.

Author : Peter Mariutti / MD AE Munich

Contents	Page
<b>1 Introduction</b>	<b>5</b>
<b>2 Differences between Quartz Crystals and Ceramic Resonators</b>	<b>5</b>
2.1 Fundamental Differences	5
2.2 Different Types of Resonators	6
2.3 Difference of the Start-up and Oscillation Behavior	7
2.3.1 Quartz Crystal	7
2.3.2 Ceramic Resonator	7
<b>3 Oscillator-Inverter</b>	<b>8</b>
3.1 Oscillator-Inverter of the C500 Family	8
3.2 Oscillator-Inverter of the C166 Family	8
3.2.1 Oscillator-Inverter Type_R	8
3.2.2 Oscillator-Inverter Type_LP1 and Type_LP2	9
3.2.3 Oscillator-Inverter Type_RTC	9
<b>4 Fundamental Mode and 3rd Overtone Mode</b>	<b>10</b>
<b>5 Oscillator Start-up Time</b>	<b>11</b>
5.1 Definition of the Oscillator Start-up Time $t_{st\_up}$	11
5.2 Definition of the Oscillator Off Time $t_{off}$	12
<b>6 Irregular Oscillation</b>	<b>13</b>
6.1 How to suppress spurious Oscillation at wrong Overtone Modes	13
6.1.1 Suppression of Fundamental Oscillation	13
6.1.2 Suppression of 5th Overtone Oscillation	13
6.2 Suppression of RC and LC Oscillation	14
<b>7 Start-up- and Oscillation Reliability</b>	<b>15</b>
7.1 Primary Way of Proceeding to determine the Load Capacitance	16
7.2 Advanced Way of Proceeding to determine the Load Capacitance	17
7.2.1 Stability Matrix	18
7.2.2 Stability Matrix for the Load Capacitors CX1 and CX2	18
7.2.3 Stability Matrix for the series damping Resistor Rx2	19
7.2.4 Stability Matrix for the external feedback Resistor Rf	20
7.2.5 Stability Matrix for a Combination of CX1, CX2, Rx2 and Rf	20
7.3 Analysis of Loop Gain (Safety Factor) with Negative Resistance Method	21
7.3.1 Principle of the Negative Resistance Method	22
7.3.2 Procedure of a Loop Gain (Safety Factor) Test in the Application	23
<b>8 Oscillator Circuitry Layout Recommendations</b>	<b>24</b>
8.1 Avoid Capacitive Coupling	24
8.2 Avoid Parallel Tracks of High Frequency Signals	24
8.3 Ground Supply	24
8.4 Noise Reduction on Ground of the Load Capacitors	24
8.5 Correct Module Placement	24
8.6 Layout Examples	25
<b>9 Used Short Cuts</b>	<b>27</b>
<b>10 Recommendations of the Ceramic Resonator Manufacturer Murata</b>	<b>28</b>

<b>11</b>	<b>General Information using the Appendix</b>	<b>28</b>
<b>12</b>	<b>Appendix C500 Family</b>	<b>29</b>
12.1	C500 Family: Relation between Device Type, Oscillator-Inverter Type and Recommendation List	29
12.2	C500 Family: Type_1a Oscillator-Inverter	30
12.2.1	C500 Family: Type_1a Oscillator-Inverter, List 1a	30
12.3	C500 Family: Type_1b Oscillator-Inverter	31
12.3.1	C500 Family: Type_1b Oscillator-Inverter, List 1b	32
12.4	C500 Family: Type_2a Oscillator-Inverter	33
12.4.1	C500 Family: Type_2a Oscillator-Inverter, List 2a	34
12.5	C500 Family: Type_2b Oscillator-Inverter	36
12.5.1	C500 Family: Type_2b Oscillator-Inverter, List 2b	37
12.6	C500 Family: Type_3b Oscillator-Inverter	38
12.6.1	C500 Family: Type_3b Oscillator-Inverter, List 3b	39
12.7	C500 Family: Type_5 Oscillator-Inverter	40
12.7.1	C500 Family: Type_5 Oscillator-Inverter, List 5	41
12.8	C500 Family: Type_8 Oscillator-Inverter	42
12.8.1	C500 Family: Type_8 Oscillator-Inverter, List 8	43
12.9	C500 Family: Type_9 Oscillator-Inverter	44
12.9.1	C500 Family: Type_9 Oscillator-Inverter, List 9	44
<b>13</b>	<b>Appendix C166 Family</b>	<b>45</b>
13.1	C166 Family: Relation between Device Type, Oscillator-Inverter Type and Recommendation List	45
13.2	C166 Family: Type_R Oscillator-Inverter (1)	46
13.2.1	C166 Family: Type_R Oscillator-Inverter, List R_1	47
13.3	C166 Family: Type_R Oscillator-Inverter (2)	48
13.3.1	C166 Family: Type_R Oscillator-Inverter, List R_2	49
13.4	C166 Family: Type_R Oscillator-Inverter (3)	50
13.4.1	C166 Family: Type_R Oscillator-Inverter, List R_3	51
13.5	C166 Family: Type_LP1 / Type_LP2 Oscillator-Inverter	52
13.5.1	C166 Family: Type_LP1 / Type_LP2 Oscillator-Inverter, List LP1/2	53
<b>14</b>	<b>Murata Sales Offices</b>	<b>54</b>

AP242401 ApNote - Revision History		
Actual Revision : 04.99		Previous Revision : --
Page of actual Rev.	Page of prev.Rel.	Subjects (changes since last release)



is a trademark of Murata

## 1 Introduction

This Application Note provides basic knowledge necessary to understand the behavior of a ceramic resonator in the application. The content concerning the measurements to find the right external circuits is a general information and is valid for all pierce oscillators using an oscillator-inverter. The appendix includes recommendations for different members of the C500 and C166 Family. The cooperation between the IC oscillator and the ceramic resonator is not always working properly because of a wrong composition of external circuits or using a resonator including capacitors with wrong values.

Therefore **Infineon Technologies** (MD AE) and **Murata** built up a cooperation to support our customers with the appropriate knowledge to guarantee a problem-free operation of the oscillator. The effort for the determination of the external circuits of a ceramic resonator oscillator is much more extensive than for a quartz crystal oscillator. Because of that Murata offers the service to check the original PCB of the customer and gives a recommendation for the right type of resonator and right composition of external circuits.

## 2 Differences between Quartz Crystals and Ceramic Resonators

### 2.1 Fundamental Differences

The physical base of both components is the piezo electrical effect which transforms electrical power to vibration. A quartz crystal (also called quartz crystal resonator) consists of a synthetic single crystal with single polar axes. The basis material of a ceramic resonator is sintered ceramic powder. This polycrystal material with random polar axis gets a polarization treatment with high voltage to remain in permanent polarization.

The following table shows the general differences between a quartz crystal and a ceramic resonator. It claims not to be complete!

**Table 1**  
**General Differences between Quartz Crystals and Ceramic Resonators**

	Ceramic Resonator	Quartz Crystal
Price Factor (depends on quality)	1	2
Frequency Tolerance over all	high	low
Mechanical Shock Resistance	very good	good
Tank for Overtone Oscillation	no	yes
Tendency to spurious Oscillation	high	low
Integrated Caps available	yes	no
Drive Level Dependence of $R_1$ (DLD)	no	yes
Drive Level free Circuit Design	yes	no

The table below is a rough overview about the principle technical differences between a quartz crystal and a ceramic resonator concerning the frequency tolerance and start-up behavior. The values in the table are given in ppm ( $10^{-6}$ ) and refer to the specified frequency of the component. The included values are rough estimations! For a detailed information please refer to the specifications of the components.

**Table 2**  
**Principal technical Differences between Quartz Crystals and Ceramic Resonators**

	Ceramic Resonator	Quartz Crystal
Aging (for 10 years at room temperature)	$\pm 3000$ ppm	$\pm 10$ ppm
Initial Frequency Tolerance	$\pm 2000 \dots 5000$ ppm	$\pm 20$ ppm
Temperature Characteristics	$\pm 20 \dots 50$ ppm/ $^{\circ}\text{C}$	$\pm 0.5$ ppm/ $^{\circ}\text{C}$
Load Capacitance Characteristics	$\pm 100 \dots 350$ ppm/pF	$\pm 15$ ppm/pF
Oscillation Rise Time	0.01 ... 0.5 msec	1 ... 10 msec
Quality Factor (Qm)	100 ... 5'000	10'000 ... 500'000

## 2.2 Different Types of Resonators

Quartz crystals for a frequency range from 1MHz to 40MHz are offered for fundamental mode and for 3rd overtone mode. 3rd overtone mode is typically used for a clock frequency higher than 25 MHz because of safety factor and mechanical stability. But up to now quartz crystals are not offered with integrated load capacitors.

Ceramic resonators for the same frequency range are typically used in 3rd overtone mode for a clock frequency higher than 12MHz. A ceramic resonator used in 3rd overtone mode needs no tank circuit. The ceramic resonators are also offered with integrated load capacitors. These devices are called 3 terminal types. The ceramic resonators without integrated capacitors are called 2 terminal types. See figure below.

The 3 terminal type is used in most low cost applications and the problem during evaluation is, that it is not possible to vary  $C_{X1}$  and  $C_{X2}$  to lower values than the already integrated ones.

Murata uses for the analysis special resonators without the integrated capacitors but with the same electrical parameters as the 3 terminal type. This is one of the main reasons why the customer is not able to perform a complete analysis of the oscillator reliability.

Note: The typical electrical characteristic of the ceramic resonators can differ from type to type. Therefore for each different type of ceramic resonator an analysis for start-up and oscillation reliability has to be made.

## 2.3 Difference of the Start-up and Oscillation Behavior

Based on the physical difference between quartz crystals and ceramic resonators there are different analysis methods necessary.

### 2.3.1 Quartz Crystal

The main problem to characterize the start-up and oscillation reliability is the drive level dependency (DLD) of  $R_1$  and the overall tolerance of the oscillator circuitry. During start-up time the drive level of the oscillation is very small and is increased up to the maximum. During that time the resistance of the crystal can reach very high values because crystals show resistance dips depending on the drive level and temperature. This effect is called drive level dependence. The DLD of a quartz crystal depends on the quality and can alter during production and during the life time of the crystal. If the resistance dips of the crystal increase in a range where the loop gain of the oscillator is lower than one, then the oscillation cannot start.

The test for start-up and oscillation reliability is done with the 'negative resistance' method. ApNote 2420xx describes how to perform this test

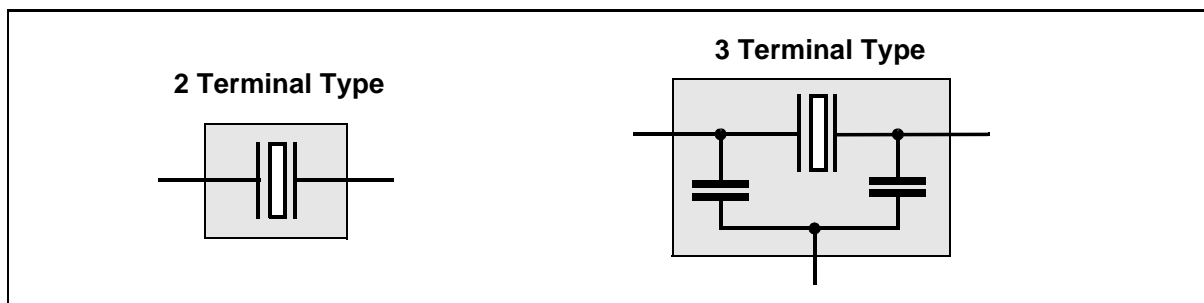
### 2.3.2 Ceramic Resonator

The ceramic resonator shows no DLD of  $R_1$ . Therefore  $R_1$  depends only on variation in production. The main problem to characterize the start-up and oscillation reliability of a ceramic resonator is the tendency to irregular oscillation. This so called 'spurious' oscillation of the ceramic resonator is based on the ability to oscillate on 3rd overtone without tank. A tank consists of an additional external capacitance and inductance to suppress the oscillation in fundamental mode.

The impedance shows a maximum at 3rd overtone for a ceramic resonator running at 3rd overtone. The impedance at fundamental and 5th overtone is smaller than at 3rd overtone. The 3rd overtone response (main response) is larger than the fundamental and 5th one.

Depending on gain and phase of the oscillator circuit ( $\mu\text{C}$ , external circuit and parasitics of the PCB) spurious oscillation can occur. Therefore most of the evaluation effort has to be spent to check the tendency to spurious oscillation.

Note: Long wiring tends to support spurious oscillation by increasing inductance!



**Figure 1 :**  
**2 Terminal Type and 3 Terminal Type Ceramic Resonators**

### 3 Oscillator-Inverter

The microcontrollers of the C500/C166 Family include the active part of the oscillator (also called oscillator-inverter). Based on the history and evolution of the microcontrollers there are different oscillator-inverters implemented in the C500/C166 Family members. Due to the same reason, the meaning of XTAL1 and XTAL2 pins is different. In this Application Note and at the C166 Family, XTAL1 is the oscillator-inverter input while XTAL2 is the output. At the C500 Family it is recommended to have a closer look to the Data Sheet of each device.

The on-chip oscillator-inverter can either run with an external ceramic resonator and appropriate external oscillator circuitry (also called passive part of the oscillator) or it can be driven by an external oscillator. The external oscillator directly connected to XTAL1, leaving XTAL2 open, feeds the external clock signal to the internal clock circuitry.

The oscillator input XTAL1 and output XTAL2 connect the internal CMOS Pierce oscillator to the external ceramic resonator. The oscillator provides an inverter and a feedback element. The resistance of the feedback element is in the range from 0.5 to 1 M $\Omega$ .

Depending on the type of oscillator-inverter the gain can be different during and after reset. The appendix gives separate recommendations for each oscillator-inverter type.

#### 3.1 Oscillator-Inverter of the C500 Family

Based on the history and increasing CPU frequency there are many different oscillator-inverter types. The oscillator-inverter types differ in gain and frequency. The gain of these types of oscillator-inverters is the same during reset active and reset inactive. These oscillators are optimized for operating frequencies in the range from 2.0 (3.5) to 20 (40) MHz. For details refer to the appendix or Data Sheets.

#### 3.2 Oscillator-Inverter of the C166 Family

The oscillator-inverters of the C166 Family are distinguished in groups of standard oscillator-inverters for frequencies up to 40 MHz, Low Power oscillator-inverters for low power consumption and Real Time Clock oscillator-inverters for a frequency range of 32.768 kHz  $\pm$  50%.

##### 3.2.1 Oscillator-Inverter Type\_R

This type of inverter is implemented in most of the current C166 Family derivatives. The gain of the Type\_R oscillator-inverter is high during reset is active and is **Reduced** by one-third when reset is inactive. This feature provides an excellent start-up behavior and a reduced supply current for the oscillator during normal operation mode. The Type\_R oscillator-inverter is optimized for an operating frequency range of 3.5 to 40 MHz.



### 3.2.2 Oscillator-Inverter Type\_LP1 and Type\_LP2

This type of inverter is a **Low Power** oscillator, version 1 and version 2. Inverter Type\_LP2 is the actual version and will be implemented in new derivatives of the C166 Family with power management. The Type\_LP oscillator-inverter is a high sophisticated module with a high gain but low power consumption. The gain of the Type\_LP oscillator-inverter is the same during reset active and reset inactive. This oscillator-inverter is optimized for an operating frequency range from 3.5 to 16 MHz. For input frequencies above 25 ... 30 MHz provided by an external oscillator the oscillator's output (XTAL2) should be terminated with a 15 pF capacitance and a 3 k $\Omega$  resistor in series to GND.

### 3.2.3 Oscillator-Inverter Type\_RTC

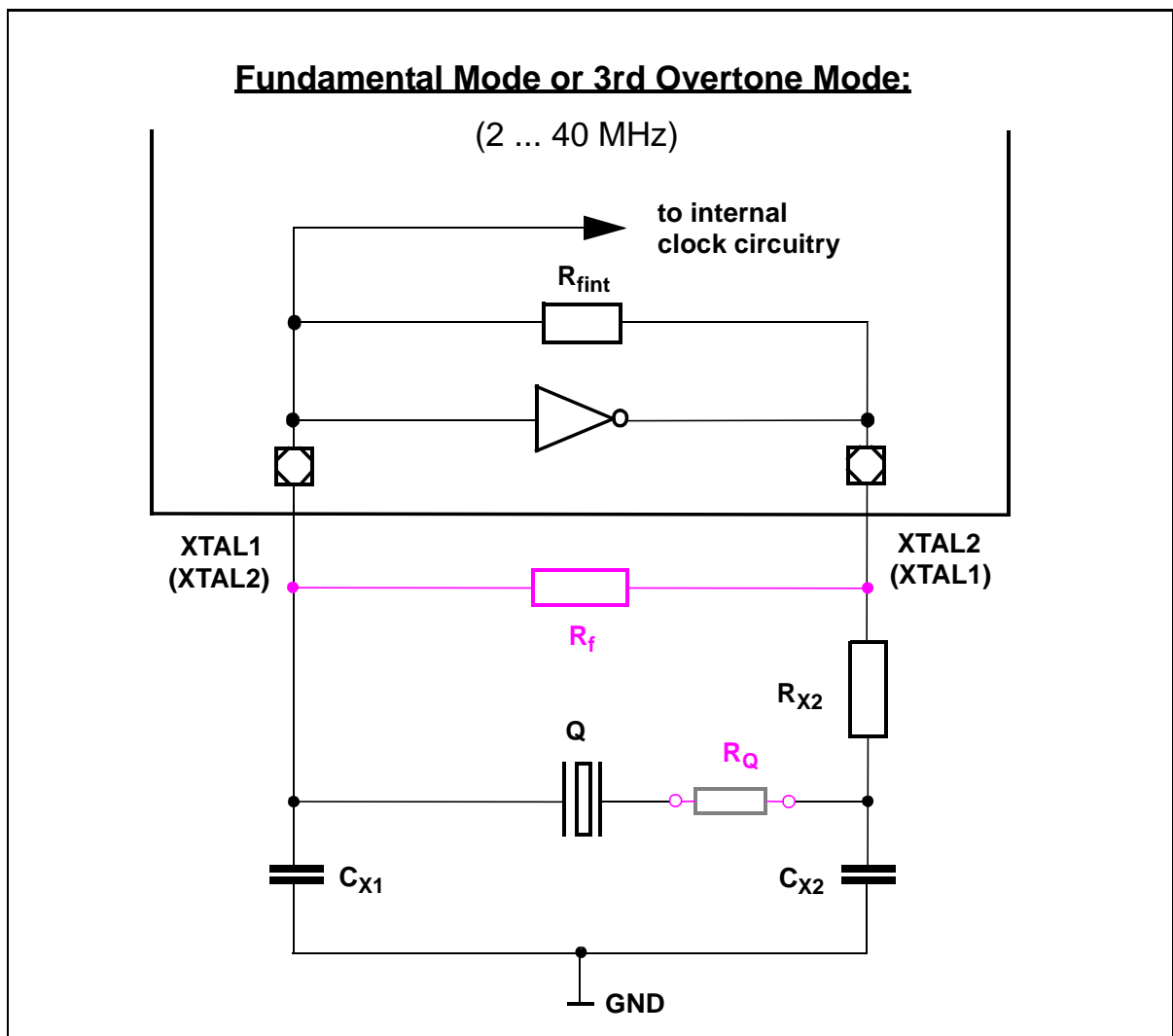
The auxiliary oscillator-inverter is a **Real Time Clock** oscillator with a low power consumption and it is optimized for a frequency range of 32.768 kHz  $\pm$  50%. This oscillator can only be used with a quartz crystal because the load capacitance of a ceramic resonator is too high.

## 4 Fundamental Mode and 3rd Overtone Mode

The ceramic resonators recommended in the appendix are used in fundamental mode and 3rd overtone mode. For detailed information have a look at the specification of the ceramic resonator. As already mentioned a ceramic resonator needs no tank to run in 3rd overtone mode.

The standard external oscillator circuitry for fundamental mode or 3rd overtone mode, see figure below, includes a ceramic resonator, two low end capacitors  $C_{X1}$  and  $C_{X2}$ , a feed back resistor  $R_f$  to reduce gain and a series resistor  $R_{X2}$  to vary gain and phase. The feed back resistor  $R_f$  and the series resistor  $R_{X2}$  are not always used. The need depends on oscillator frequency, the type of ceramic resonator, and on the application system.

A test resistor  $R_Q$  may be **temporarily** inserted to measure the loop gain of the oscillator circuitry. The principle how to check the start-up reliability will be explained in detail later.



**Figure 2**  
Oscillator Circuitry for Fundamental Mode and 3rd Overtone Mode

## 5 Oscillator Start-up Time

Based on small electrical system noise or thermic noise caused by resistors, the oscillation starts with a very small amplitude. Due to the amplification of the oscillator-inverter, the oscillation amplitude increases and reaches its maximum after a certain time period  $t_{st\_up}$  (start-up time). Typical values of the start-up time for a ceramic resonator are within the range of  $0.01 \text{ msec} \leq t_{st\_up} \leq 0.5 \text{ msec}$ . Theoretically the oscillator-inverter performs a phase shift of  $180^\circ$ , and the external circuitry performs a phase shift of  $180^\circ$  to fulfill the oscillation condition of an oscillator. A total phase shift of  $360^\circ$  is necessary.

In reality, the phase shift of the oscillator-inverter depends on the oscillator frequency and is approximately in the range of  $100^\circ$  to  $210^\circ$ . It is necessary to compose the external components in a way that a total phase shift of  $360^\circ$  is performed. This can be achieved by a variation of the external components.

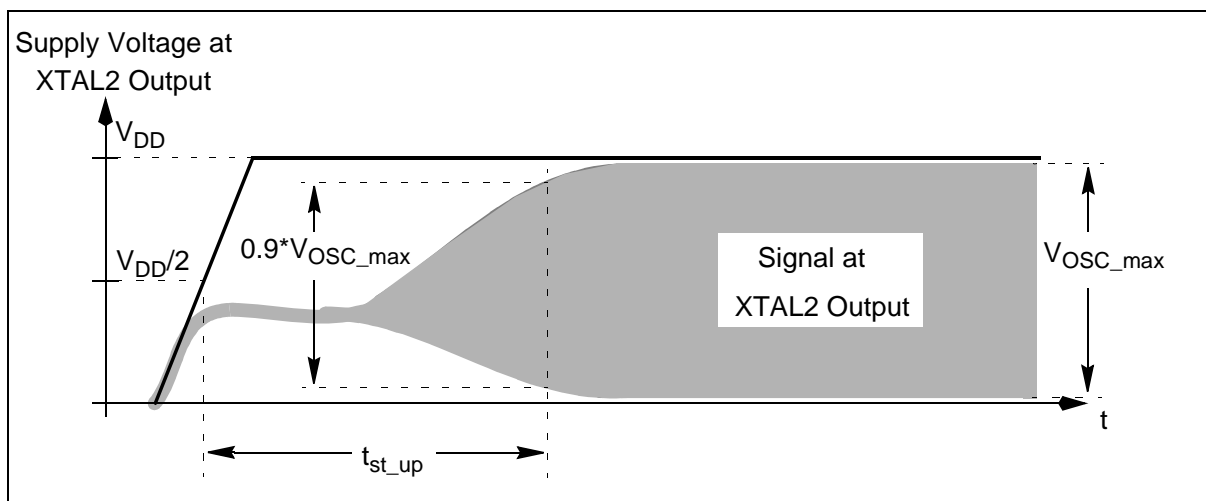
Note: The external hardware reset signal has to be active for a longer time period than the oscillator start-up time in order to prevent undefined effects.

Note: Because of different gain in some oscillator-inverters during reset active and reset inactive it is recommended to consider the oscillation in both phases of the reset signal. Further the application system activity starting after reset is inactive can have an influence on the oscillator.

### 5.1 Definition of the Oscillator Start-up Time $t_{st\_up}$

The definition of the oscillator start-up time is not a well defined value in literature. Generally it depends on the power supply rise time ( $dV_{DD}/dt$ ) at power on, on the electrical system noise, and on the oscillation amplitude.

For this Application Note the oscillator start-up time  $t_{st\_up}$  is defined from  $V_{DD}/2$  to  $0.9 \cdot V_{OSC\_max}$  of the stable oscillation, see figure below.

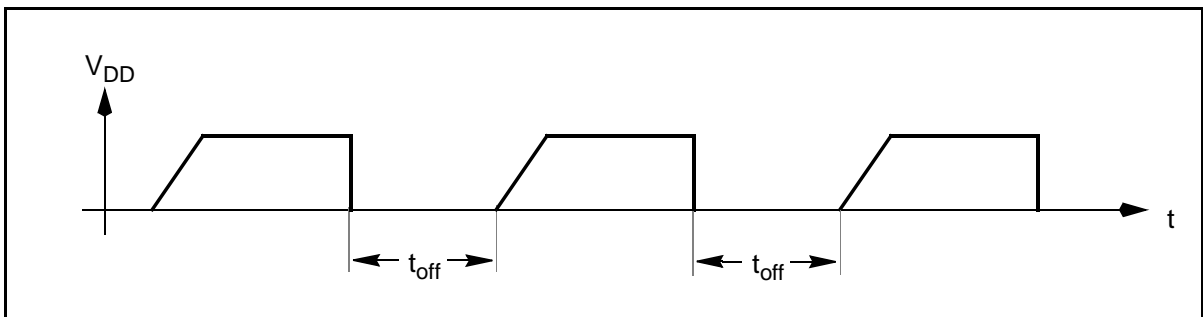


**Figure 3**  
**Oscillator Start-up Time**

## 5.2 Definition of the Oscillator Off Time $t_{off}$

Measurement of the oscillator start-up time is normally done periodically. After switching off power supply, the oscillation continues until the whole reactive power oscillating between inductance and capacitance is consumed. Therefore the time between switching the power supply off and on ( $t_{off}$ ) must not be too short in order to get reproduceable results otherwise the start-up times can differ very much.  $t_{off}$  depends on the composition of the oscillator components.

It is recommended to use an oscillation off time  $t_{off} \geq 0.1$  sec, see figure below.



**Figure 4**  
**Oscillator Off Time**

## 6 Irregular Oscillation

The tendency of a ceramic resonator to irregular oscillation is based on different effects and can be classified in two types.

First one is the oscillation at the spurious response of a ceramic resonator. This spurious response can be at fundamental mode oscillation or at 5th overtone mode oscillation for a ceramic resonator specified for 3rd overtone mode.

Second one is the oscillation where the ceramic resonator works just as a capacitor RC or LC oscillation. Replacing the ceramic resonator with a capacitor of approximately the same value as the static capacitance  $C_0$  of the ceramic resonator shows the same oscillation frequency as the ceramic resonator but this oscillation frequency is not the specified one.

Below are different methods of eliminating the chance of irregular oscillation of a ceramic resonator.

### 6.1 How to suppress spurious Oscillation at wrong Overtone Modes

Ceramic resonators designed for 3rd overtone mode have more chance of irregular oscillation due to the existence of both, fundamental and 5th overtone spurious responses.

#### 6.1.1 Suppression of Fundamental Oscillation

In the case of spurious oscillation at fundamental mode the loop gain and phase shift of the oscillator (active and passive part) are too small at 3rd overtone mode. The countermeasure is to increase both parameters. This can be done with the following methods:

- Using smaller values of the load capacitors  $C_{X1}$  and  $C_{X2}$
- Using a smaller value of the internal feedback resistor  $R_{fint}$  by adding an external feedback resistor  $R_f$  within the range  $10\text{ k}\Omega \leq R_f \leq 100\text{ k}\Omega$ .

#### 6.1.2 Suppression of 5th Overtone Oscillation

In the case of spurious oscillation at 5th overtone mode the loop gain at 5th overtone can be decreased with the following methods:

- Using higher values of the load capacitors  $C_{X1}$  and  $C_{X2}$
- Adding a series resistor  $R_{X2}$  (damping resistor,  $10\ \Omega \leq R_{X2} \leq 10\text{ k}\Omega$ ) or to increase the  $R_{X2}$  value. Because  $R_{X2}$  reduces loop gain. Furthermore  $R_{X2}$  and  $C_{X2}$  work as a low pass filter.

### 6.2 Suppression of RC and LC Oscillation

If the ceramic resonator works just as a capacitor then changing the external circuit condition can disable this irregular oscillation. This can be achieved by:

- Change the values of the loading capacitors with the relation  $C_{X1} = C_{X2}$
- Change the values of the loading capacitors with the relation  $C_{X1} \neq C_{X2}$
- Add a series damping resistor  $R_{X2}$
- Add an external feedback resistor  $R_f$

If no solution is found a re-layout of the PCB might be required.

Note: A small inductance of the printed pattern (oscillator) may enable oscillation by creating LC oscillation at high frequency. In such cases, it appears as if the circuit does not start-up when powered on, however, a small  $R_{X2}$  of 10 - 20  $\Omega$  may solve the problem.

### 7 Start-up- and Oscillation Reliability

The check of the start-up and oscillation reliability of the oscillation circuit is done by a verification of the oscillation frequency, oscillation wave form, oscillation voltage, starting voltage and loop gain by variation of temperature and supply voltage. The results of the analysis are summarized in a table to find an area with stable conditions for a reliable oscillation. The first step is to determine the values of the load capacitors and in the second step the start-up and oscillation reliability is checked via the Safety Factor, see chapter 7.3.

This Application Note offers two ways to determine the load capacitance. The 'primary way' which is done with a typical sample and the 'advanced way' which is done with a so called 'worst case ceramic resonator' with maximum values of the specified equivalent circuit constants. The advanced way is only performed if the primary way does not result in an acceptable behavior.

The appendix includes recommendations for the right composition of external circuits relating to different microcontrollers and ceramic resonators. These recommendations can be used for standard PCBs in a standard environment. For microcontrollers and ceramic resonators where no recommendations are available in the appendix the following description shows a possibility to find the appropriate external circuits for the first prototypes used for evaluation.

Note: The analysis can only be performed for a 2 terminal type ceramic resonator (with no built in loading capacitors). A 3 terminal type with integrated loading capacitors cannot be applied for this analysis because a variation of the loading capacitors can only be performed down to the integrated values and it is not possible to perform the negative resistance method to check the loop gain. Murata uses special 3 terminal type samples for the analysis where the load capacitors are not integrated. If you want to perform a 3 terminal type analysis please contact Murata for help!

Note: It is not easy to find a physical ceramic resonator sample having the specified limit conditions in an application system, which is the worst in main response and large spurious. It is possible to simulate the limit conditions in a application system by adding external components to the ceramic resonator but this costs additional analysis efforts. Because of knowing the difficulty getting such a device Murata offers the service of analyzing the customer systems.

## 7.1 Primary Way of Proceeding to determine the Load Capacitance

Depending on the available lab equipment there are different strategies to find the appropriate load capacitors in combination with a ceramic resonator. The primary way to determine load capacitance is to check the following characteristics with the parameter of  $C_{X1} = C_{X2}$  variable:

- Oscillating voltage at XTAL1 and XTAL2 ( $V_{PP\_XTAL1}$  and  $V_{PP\_XTAL2}$ ).
- Oscillating voltage wave form at XTAL1 which should not be distorted in the range of input threshold ( $V_{dd} / 2$ ). The best form is a sine.
- Starting voltage, the minimum supply voltage that oscillation starts.
- Start-up time of the oscillation,  $t_{st\_up}$ .

The results of the analysis are transferred in a table. An example is shown in the table below. The yellow shaded columns show the range for the recommended values. The matching load capacitances are the column which gives the best values for the above mentioned characteristics:

- High oscillation voltage. Both  $V_{PP\_XTAL1}$  and  $V_{PP\_XTAL2}$  should be large but inside of the specification. If  $V_{PP}$  is to high than EME can be worse.
- Minimum wave form distortion.
- Minimum supply starting voltage.
- Minimum start-up time,  $t_{st\_up}$ .

Note: The measurements should be performed with an oscilloscope including active probes with a small capacitive load and high impedance.

**Table 3**  
**Table for Load Capacitance Analysis with an Example of measured Values**

$C_{X2} = C_{X1}$ [pF]	0	10	15	22	33	47	68	82
$V_{PP\_XTAL1}$ [V]	5.4	5.4	5.2	5.1	4.9	4.5	4.2	3.7
$V_{PP\_XTAL2}$ [V]	5.4	5.3	5.1	4.9	4.6	4.3	4.0	3.4
Wave Form	not ok	ok	ok	ok	ok	ok	not ok	not ok
Starting Voltage [V]	2.4	2.3	2.3	2.3	2.4	2.7	3.5	4.1
Start-up Time [ $\mu$ sec]	210	180 <sup>1)</sup>	130	100	90	130 <sup>2)</sup>	160 <sup>2)</sup>	200 <sup>2)</sup>

<sup>1)</sup> The start-up time is not constant!

<sup>2)</sup> The oscillation starts at fundamental for about 50  $\mu$ sec and starts then again in 3rd overtone!



### 7.2 Advanced Way of Proceeding to determine the Load Capacitance

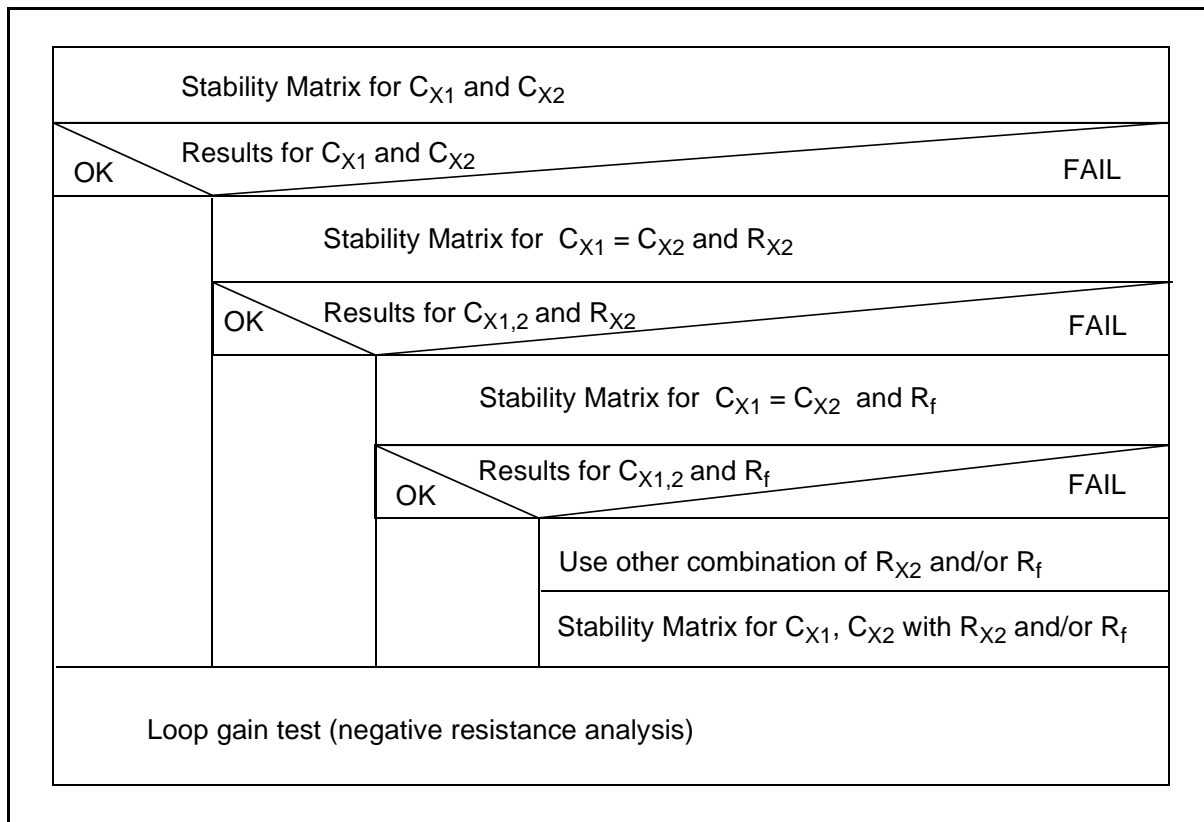
If the primary analysis does not result in an acceptable behavior then Murata uses an advanced analysis to find the right composition of external circuits. This analysis is done with typical and worst case samples and the evaluation is done via the stability matrix. The principle of the stability matrix is explained in the next chapter.

The analysis sequence shown below starts with a stability matrix for  $C_{X1}$  and  $C_{X2}$  without a damping resistor  $R_{X2}$  and without an external feedback resistor  $R_f$ .

If no matching result is found then a stability matrix for  $C_{X1} = C_{X2}$  and  $R_{X2}$  has to be generated.

If the result also does not fit then a stability matrix for  $C_{X1} = C_{X2}$  and  $R_f$  has to be done.

In very seldom cases the steps before show no matching result. Then a stability matrix for a combination of  $C_{X1}$ ,  $C_{X2}$ ,  $R_{X2}$  and  $R_f$  has to be generated.



**Figure 5 :**  
Advanced Way to get the right Composition of external Circuits

## 7.2.1 Stability Matrix

The stability matrix (also called stability oscillation area) is an analysis where the desired values are changed and the results of all analysis are summarized in a table which is called stability matrix. The stability matrices include the following information:

**Table 4**  
**Content of the Stability Matrices**

Symbol	Description	Range
$C_{X1}, C_{X2}$	Values for the load capacitors in pF	0 - 100 pF
$R_{X2}$	Damping resistor in k $\Omega$	0 - 10 k $\Omega$
$R_f$	Feed back resistor	10 k $\Omega$ - 100 k $\Omega$
⊙	Recommendable values	-----
(ok) or ( $V_{DD}$ value)	Stable oscillation, ( $V_{DD}$ when oscillation starts)	0 V to $V_{DDmax}$
no	No oscillation	-----
1st	Fundamental oscillation	-----
3rd	3rd overtone oscillation	-----
5th	5th overtone oscillation	-----
LC	LC oscillation	-----
small	oscillation amplitude is to small	$0.3 V_{DD} \leq V_{PP\_XTAL1} \leq 0.7 V_{DD}$
~	Wave form distortion of oscillation signal	-----

For the stability matrix analysis the supply voltage is increased starting from 0V up to  $V_{DDmax}$  in very small steps. During that time the parameters for the stability matrix are observed and noted in the stability matrix. For the recommended value (⊙) of the stability matrix also the accuracy of frequency, the behavior during variation of temperature, and the start-up time should be measured.

## 7.2.2 Stability Matrix for the Load Capacitors $C_{X1}$ and $C_{X2}$

This stability matrix is used to find the right values for  $C_{X1}$  and  $C_{X2}$ . These are the capacitor values needed for the calculation of the ceramic resonator load capacitance. For each possible combination in the stability matrix a measurement and an analysis is performed. Each result is transferred to the stability matrix. After measurement the result ('⊙') for the appropriate  $C_{X1}$  and  $C_{X2}$  values is found when the distance in the stability matrix from stable oscillation to irregular oscillation is large enough.

**Table 5**  
**Example for a Stability Matrix ( $C_L$  Characteristics)**

$C_{X2} \setminus C_{X1} [\text{pF}]$	0	5	10	15	22	33	47	68	82	100
0	5th	5th	5th	5th	ok	small	small	small	small	small
4.7	5th	5th	5th	ok	ok	ok	ok	small	small	small
10	5th	5th	ok	ok	ok	ok	ok	ok	small	small
15	5th	ok	ok	ok	ok	ok	ok	ok	ok	small
22	ok	ok	ok	ok	⊙	ok	ok	ok	ok	1st
33	ok	ok	ok	ok	ok	ok	ok	ok	1st	1st
47	ok	ok	ok	ok	ok	ok	ok	1st	1st	1st
68	ok	ok	ok	ok	ok	~	1st	1st	1st	1st
82	ok	ok	ok	~	~	1st	1st	1st	1st	1st
100	ok	ok	~	~	1st	1st	1st	1st	1st	1st

### 7.2.3 Stability Matrix for the series damping Resistor $R_{x2}$

This stability matrix is used to find an appropriate value for  $R_{x2}$  if the oscillator circuit shows spurious oscillation and variation of  $C_{X1}/C_{X2}$  does not solve the problem. The way of proceeding is identical to the stability matrix analysis for  $C_{X1}$  and  $C_{X2}$  described in the chapter above. It is recommended to use values for  $R_{x2}$  within the range of  $0 \Omega \leq R_{x2} \leq 10 \text{ k}\Omega$ . The table below shows an example for a stability matrix with  $R_{x2}$  characteristics.

**Table 6**  
**Example for a Stability Matrix ( $R_{x2}$  Characteristics)**

$C_{X2} = C_{X1} \setminus R_{x2}$	0.1 k $\Omega$	0.47 k $\Omega$	1 k $\Omega$	2.2 k $\Omega$	5 k $\Omega$	10 k $\Omega$
0 pF	5th	5th	5th	ok	ok	small
10 pF	5th	5th	ok	ok	ok	ok
15 pF	5th	ok	ok	ok	ok	ok
22 pF	ok	ok	ok	⊙	ok	ok
33 pF	ok	ok	ok	ok	ok	ok
47 pF	ok	ok	ok	ok	ok	ok
82 pF	ok	ok	ok	~	~	1st
100 pF	ok	ok	~	~	1st	1st

### 7.2.4 Stability Matrix for the external feedback Resistor $R_f$

This stability matrix is used to find an appropriate value for  $R_f$  if the oscillator circuit shows spurious oscillation and variation of  $C_{X1} = C_{X2}$  and  $R_{X2}$  does not solve the problem. The way of proceeding is identical to the stability matrices described in the chapters above. It is recommended to use values for  $R_f$  within the range of  $10\text{ k}\Omega \leq R_f \leq 100\text{ k}\Omega$ . The table below shows an example for a stability matrix with  $R_f$  characteristics.

**Table 7 :**  
**Example for a Stability Matrix ( $R_f$  Characteristics)**

$C_{X2} = C_{X1} \setminus R_f$	10 k $\Omega$	33 k $\Omega$	100 k $\Omega$ – 1 M $\Omega$
0 pF	ok	ok	1st
10 pF	ok	ok	1st
15 pF	ok	1st	1st
22 pF	ok	1st	1st
33 pF	ok	1st	1st
47 pF	ok	1st	1st
82 pF	ok	1st	1st
100 pF	ok	1st	1st

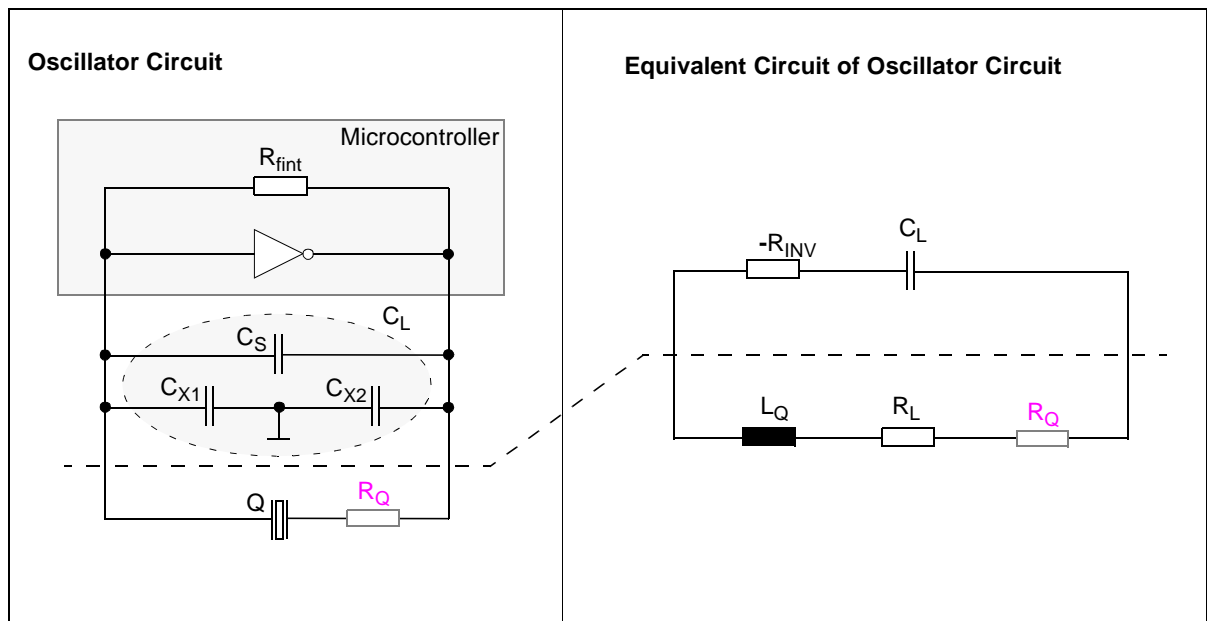
### 7.2.5 Stability Matrix for a Combination of $C_{X1}$ , $C_{X2}$ , $R_{X2}$ and $R_f$

If the stability matrices for  $C_X \setminus C_{X2}$ ,  $C_X = C_{X2} \setminus R_{X2}$  and  $C_X = C_{X2} \setminus R_f$  do not result in a reliable oscillation then a stability matrix for a combination of  $C_{X1}$ ,  $C_{X2}$ ,  $R_{X2}$  and  $R_f$  has to be performed. Depending on the results of the stability matrices before, two parameters for instance  $R_{X2}$  and  $R_f$  are set to fix values and the others  $C_{X1}$  and  $C_{X2}$  are used as variables for the analysis in the two dimensional stability matrix. But this is a very seldom case and is only mentioned for completeness.

### 7.3 Analysis of Loop Gain (Safety Factor) with Negative Resistance Method

This well-known method is also used for test of the start-up and oscillation reliability for quartz crystals. The result of this analysis is the safety factor which gives a feeling about the start-up and oscillation reliability. This is important to assess loop gain when the tolerances of all concerned parts of the oscillator get worst case values.

Note: The negative resistance method can only be performed with a 2 terminal type ceramic resonator else the result includes only values higher or equal than the integrated ones of the 3 terminal type.



**Figure 6 :**  
**Equivalent Circuit for Negative Resistance Methode**

## 7.3.1 Principle of the Negative Resistance Method

The oscillator can be divided into the on-chip oscillator-inverter and the external circuitry. The oscillator circuitry can be simplified as shown in figure 6. The load capacitance  $C_L$  contains  $C_{X1}$ ,  $C_{X2}$  and the stray capacitance  $C_S$ . The amplification ability of the oscillator-inverter is replaced with a negative resistance  $-R_{INV}$  and the ceramic resonator is replaced with the load resonance resistance  $R_L$  (effective resistance) and the effective reactance  $L_Q$ . The condition required for oscillation is:

$$|-R_{INV}| \geq R_L$$

The negative resistance has to be large enough to cover all possible variation of the oscillator circuitry. This condition is necessary to guarantee a problem-free operation of the oscillator. The negative resistance can be analyzed by connecting a series test resistor  $R_Q$  to the ceramic resonator (see fig. 5) used to find the maximum value  $R_{Qmax}$  that remains the circuit still oscillating.  $R_L$  is the resistance of the ceramic resonator at oscillating frequency and creates the power dissipation.  $R_L$  can be calculated as shown below.  $C_0$  is the shunt capacitance of the ceramic resonator. A typical value of the stray capacitance in a normal system is  $C_S = 5$  pF.

Negative Resistance:

$$|-R_{INV}| = R_L + R_{Qmax}$$

Load Resonance Resistance:  
(Effective Resistance)

$$R_L = R_1 \cdot \left[ 1 + \frac{C_0}{C_L} \right]^2$$

Load Capacitance:

$$C_L = \frac{C_{X1} \cdot C_{X2}}{(C_{X1} + C_{X2})} + C_S$$

### 7.3.2 Procedure of a Loop Gain (Safety Factor) Test in the Application

When the values for  $C_{X1}$ ,  $C_{X2}$ ,  $R_{X2}$  and  $R_f$  are already qualified then the analysis of the Safety Factor is performed. This is done with a typical ceramic resonator and by variation of temperature and supply voltage. For the analysis  $V_{DD}$  of the system (oscillator) is periodically switched on and off as shown in figure 4 of chapter 'Oscillator start-up Time'.

The value of  $R_Q$  is increased until the oscillation does not start any more. From the state of no oscillation  $R_Q$  is then decreased until oscillation starts again. This final value of  $R_Q$  ( $R_{Qmax}$ ) is used for further calculations of the Safety Factor SF. The principle how to analyze and calculate the safety factor is shown in ApNote 2420xx.

The calculation of the Safety Factor for a ceramic resonator requires also the equivalent circuit constants of the device. Because of knowing the problems to get the real values for the test ceramic resonator this ApNote offers a minimum value for  $R_Q$  ( $R_{Qmin}$ ). For a rough estimation of the start-up reliability used during evaluation it is sufficient when the measured maximum  $R_Q$  ( $R_{Qmax}$ ) is at least the value of  $R_{Qmin}$  shown in the table below. If the primary way results in more different values for the load capacitors then the configuration with the measured maximum  $R_Q$  resistor is selected for the application.

**Table 8**  
**Ceramic Resonator Types and recommended  $R_{Qmin}$**

Type	$C_{X1} = C_{X2}$ [pF]	$R_{Qmin}$ [ $\Omega$ ]
CSA4.00MG	30	1400
	100	1400
CSA8.00MTZ	30	800
	100	500
CSA10.0MTZ	30	600
	100	400
CSA20.00MXZ040 CSACV20.00MXJ040	5	300
	15	300
	30	300
CSA40.00MXZ040 CSACV40.00MXJ040	5	200
	15	100
	22	300

Preliminary Values

Note: The  $R_{Qmin}$  values in table 8 are only for evaluation systems and show an order of this values. The Safety Factor of the final board for mass production should be verified by Murata.

### 8 Oscillator Circuitry Layout Recommendations

The layout of the oscillator circuit is important for the RF and EMC behavior of the design. The use of this recommendation can help to reduce problems caused by the layout. This design recommendation is optimized on EMC and GND noise aspects.

For an optimal layout the following items have to be noted:

#### 8.1 Avoid Capacitive Coupling

The crosstalk between oscillator signals and others has to be minimized. Sensitive inputs have to be separated from outputs with a high amplitude.

Note: The crosstalk between different layers also has to be analyzed.

#### 8.2 Avoid Parallel Tracks of High Frequency Signals

In order to reduce the crosstalk caused by capacitive or inductive coupling, tracks of high frequency signals should not be routed in parallel (also not on different layers!).

#### 8.3 Ground Supply

The ground supply must be realized on the base of a low impedance. The impedance can be made smaller by using thick and wide ground tracks. Ground loops have to be avoided, because they are working like antennas.

#### 8.4 Noise Reduction on Ground of the Load Capacitors

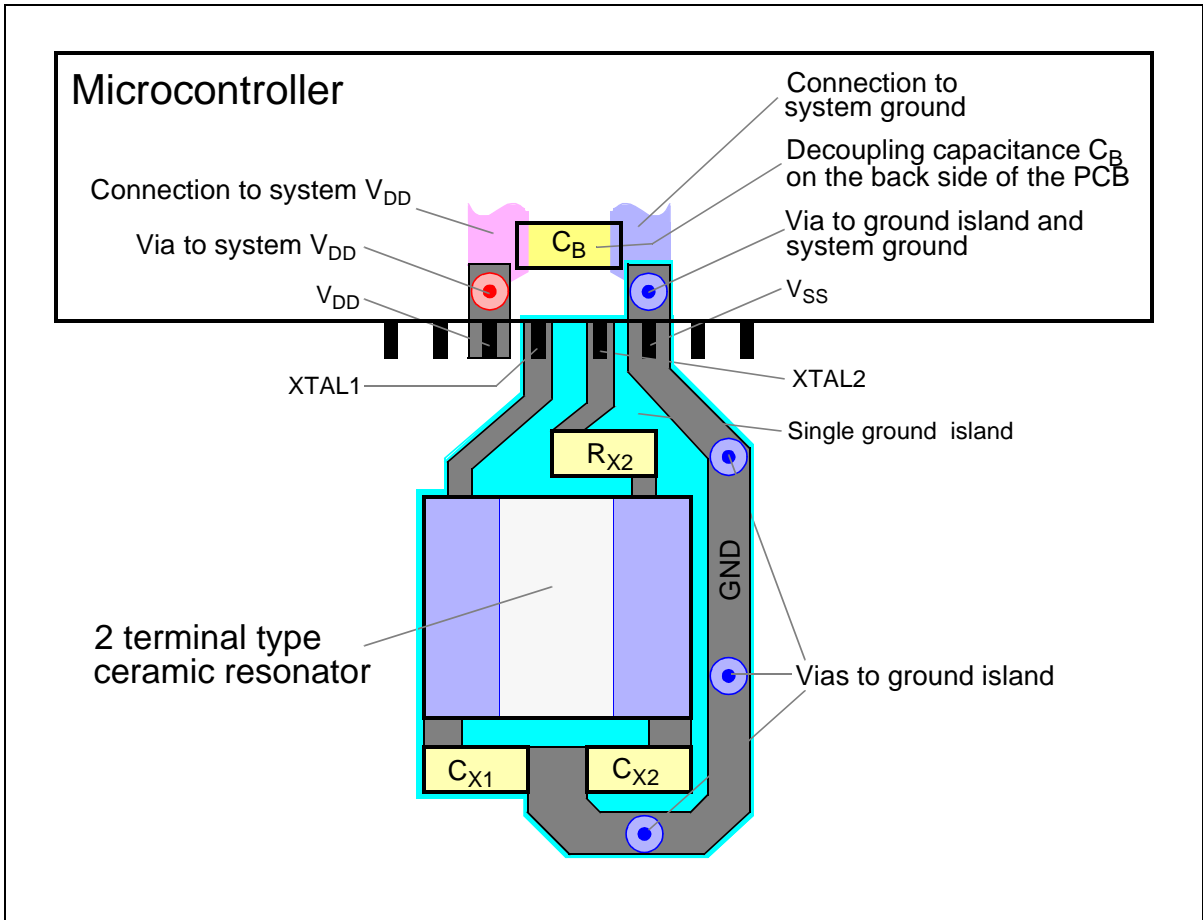
Noise on the ground track between the load capacitors and the on-chip oscillator ground can have an influence on the duty cycle. This is important for systems running in direct drive mode (oscillator frequency is equal to CPU frequency). Therefore the ground connection of the decoupling capacitance  $C_B$  (between  $V_{DD}$  and  $V_{SS}$  of the on-chip oscillator-Inverter) should be between  $V_{SS}$  and system ground connection, to suppress noise from system ground.

#### 8.5 Correct Module Placement

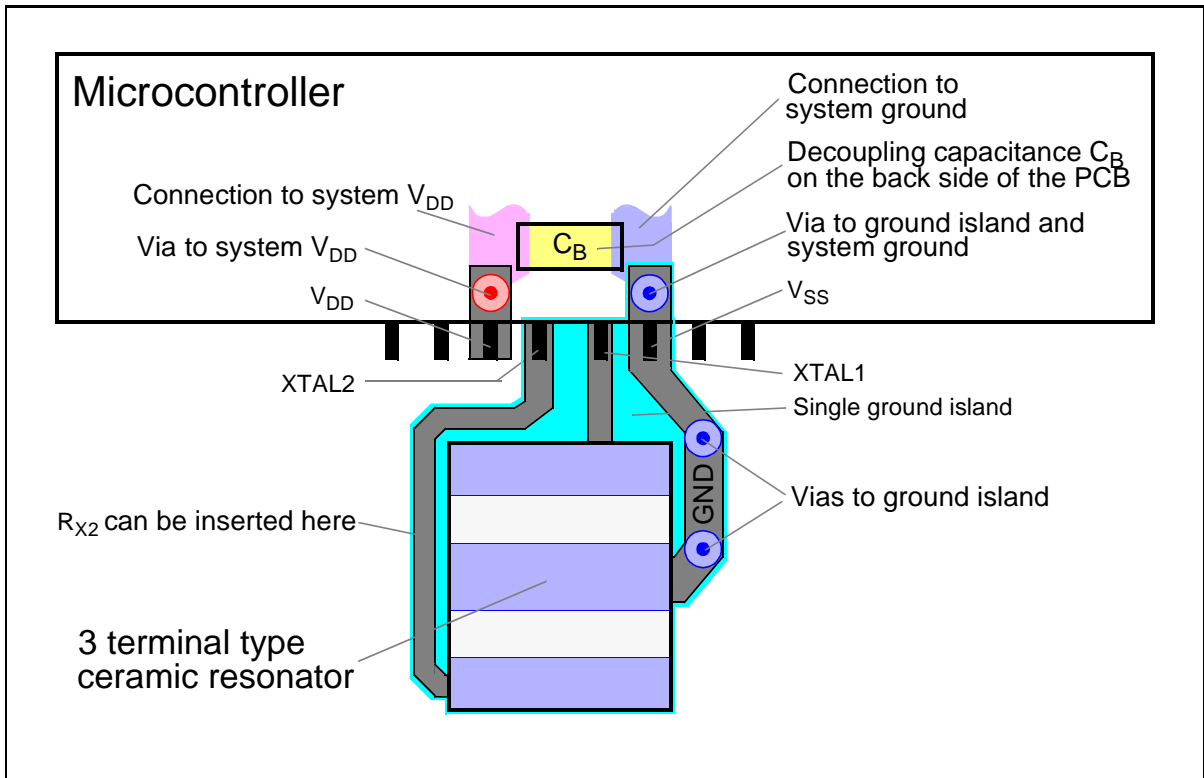
Other RF modules should not be placed near the oscillator circuitry in order to prevent them from influencing the ceramic resonator functionality.



8.6 Layout Examples



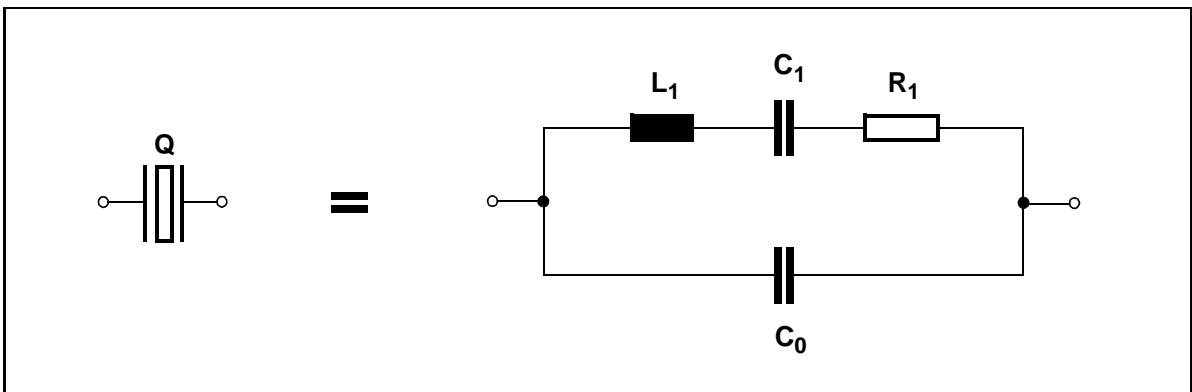
**Figure 7**  
Layout Example for a 2 Terminal Type Ceramic Resonator with  $R_{X2}$



**Figure 8**  
**Layout Example for a 3 Terminal Type Ceramic Resonator without  $R_{X2}$**

## 9 Used Short Cuts

- $C_0$  : Shunt capacitance of the ceramic resonator (static capacitance).
- $C_1$  : Motional capacitance of the ceramic resonator (dynamic capacitance).  
Mechanical equivalent is the elasticity of the ceramic element.
- $C_L$  : Load capacitance of the ceramic resonator in the system.
- $C_S$  : Stray capacitance of the system.
- $C_{X1}, C_{X2}$  : Load capacitors
- $C_B$  : Decoupling capacitance for  $V_{DD}$  and  $V_{SS}$  on the Printed Circuit Board (PCB).  
Depending on the EMC behavior the typ. values are in the range of 22 nF to 100 nF.
  
- $L_1$  : Motional inductance of the ceramic resonator (dynamic inductance).  
Mechanical equivalent is the oscillating mass of the ceramic element.
- $L_Q$  : Effective reactance
- $Q$  : Ceramic resonator
  
- $R_{INV}$  : Negative resistance: amplification ability of the on-chip oscillator-inverter.
- $R_1, R_r$  : Series resistance of the ceramic resonator (resonance resistance in other technical descriptions also called: 'equivalent series resistance, ESR' or 'transformed series resistance'). Mechanical equivalent is the molecular friction, the damping by mechanical mounting system and acoustical damping by the gas filled housing.
- $R_L$  : Load resonance resistor (in other technical descriptions also called: 'effective resistance').
- $R_Q$  : Test resistor for the test of loop gain and calculation of safety level.
- $R_{Qmax}$  : Maximum value of the test resistor which does not stop the oscillation.
- $R_{X2}$  : Resistor which controls the drive level (damping resistor).
- $R_f$  : Additional external feedback resistor.
- $R_{fint}$  : Internal feedback resistor.
  
- SF : Safety Factor
- $t_{st\_up}$  : Start-up time of the oscillator.
- $t_{off}$  : Oscillator off time for measurement of start-up behavior.



**Figure 9**  
**Equivalent Circuit of a Ceramic Resonator**

### 10 Recommendations of the Ceramic Resonator Manufacturer Murata

The preceding chapters have shown the principle of how to find the appropriate values for the circuit components of a ceramic resonator oscillator circuitry which ensure a problem-free operation. Similar tests were done in a cooperation between **Infineon Technologies** (MD AE) and **Murata**. Results are available for different Infineon Technologies microcontrollers. The specialists from Murata have done the analyses with the aid of the microcontroller development group of Infineon Technologies. The results of this cooperation are presented in the appendix of this Application Note. The cooperation will be continued and further results will be added to this Application Note step by step.

Because of knowing the effort necessary to find the right composition of external circuit and the right type of ceramic resonator, Murata offers the service to check the original PCB of the customer and gives a recommendation for the right type of resonator and appropriate external circuits.

Note: The appendix shows recommendations for the appropriate circuit composition of the oscillator which run in most of all applications but it is recommended to use the service of Murata because every design can have specific influences on the oscillator (noise, layout etc.).

### 11 General Information using the Appendix

The Appendix includes general recommendations for the right composition of external circuits for the C500 Family and the C166 Family. Each recommendation for the external circuits is only **one** of more different possibilities. The decision which composition is the right one, is not 'digital' (go or no go) but has to be done in an 'analog' way which offers more different results which fits to the system. Depending on the system demands different criteria have to be considered: safety factor (loop gain), start-up behavior, ceramic resonator specification, frequency, EMC, layout demands etc. These facts are the base for the trade-off which external circuits fit best to the individual application system.

The general recommendations in the appendix are based on a safety margin concerning the loading capacitance variation of +/- 50% or more. This is necessary because the appendix includes general recommendations and not recommendations fitting to a specific application.

Recommendations for a specific application can only be obtained from an analysis of the respective system (support offered by Murata).

## 12 Appendix C500 Family

All derivatives, steps and oscillator-inverter types of the C500 Family shown in the table below are included in the recommendations of the following pages. For each type of oscillator-inverter there is a proposal for the right composition of external circuits referred to different frequencies.

Note: The recommendation lists do not always include values for the whole frequency range of the oscillator-inverter. Because these general recommendations are based on a safety margin concerning the loading capacitance variation of +/- 50% or more. An analysis of a specific application can allow a higher frequency for the oscillator-inverter.

### 12.1 C500 Family: Relation between Device Type, Oscillator-Inverter Type and Recommendation List

**Table 9**  
**C500 Family Derivatives, Oscillator-Inverter Type and Recommendation List**

Device	Step	Inverter	List
SAH-C515C-LM/-8RM	AA	1a	1a
SAF-C515C-8EM	A11	1b	1b
SAF-C505C-LM	AB	2a	2a
SAF-C509-LM	DB	2a	2a
SAB80C517A-N18-T3	MA	2a	2a
SAK-C505CA-4EM	AA	2b	2b
SAB-C504-2EM	BB	3b	3b
SAB-C513A-2RN	BB	5	5
SAB80C517A-N18	LA	8	8
SAB80C537-N T40/110	DB	9	9

## 12.2 C500 Family: Type\_1a Oscillator-Inverter

The table below shows the derivatives which are compatible to the recommendation List 1a.

**Table 10**  
C500 Family Derivatives including a Type\_1a Oscillator-Inverter compatible to List 1a

Device	Step	Oscillator Frequency
SAH-C515C-LM/-8RM	AA	2 - 10 MHz

### 12.2.1 C500 Family: Type\_1a Oscillator-Inverter, List 1a

The table below contains the recommendation List 1a for the external circuitry using a Type\_1a oscillator-inverter referred to different frequencies and different ceramic resonator types. The ceramic resonator types with values in parentheses are 3 terminal types (with built in load capacitors).

**Table 11**  
Recommendation List 1a for external circuitry used with a Type\_1a Oscillator-Inverter

Type_1a Oscillator-Inverter: Recommendation List 1a					
Frequency	Ceramic Resonator Type	$C_{X1} = C_{X2}$ [pF]	$R_f$ [ $\Omega$ ]	$R_{X2}$ [ $\Omega$ ]	Package
4 MHz	CSA4.00MG	30	open	0	Leaded
	CST4.00MGW	(30)	open	0	
8 MHz	CSA8.00MTZ	30	open	0	
	CST8.00MTW	(30)	open	0	
10 MHz	CSA10.0MTZ	30	open	0	
	CST10.00MTW	(30)	open	0	
4 MHz	CSAC4.00MGC	30	open	0	SMD
	CSTCC4.00MG0H6	(47)	open	0	
8 MHz	CSACV8.00MTJ	30	open	0	
	CSTCC8.00MG0H6	(47)	open	0	
10 MHz	CSACV10.0MTJ	30	open	0	
	CSTCC10.0MG	(15)	open	0	

## 12.3 C500 Family: Type\_1b Oscillator-Inverter

The table below shows the derivatives which are compatible to the recommendation List 1b.

**Table 12**  
**C500 Family Derivatives including a Type\_1b Oscillator-Inverter compatible to List 1b**

Device	Step	Oscillator Frequency
SAF-C515C-8EM	A11	2 - 10 MHz

## 12.3.1 C500 Family: Type\_1b Oscillator-Inverter, List 1b

The table below contains the recommendation List 1b for the external circuitry using a Type\_1b oscillator-inverter referred to different frequencies and different ceramic resonator types. The ceramic resonator types with values in parentheses are 3 terminal types (with built in load capacitors).

**Table 13**

Recommendation **List 1b** for external circuitry used with a **Type\_1b** Oscillator-Inverter

Type_1b Oscillator-Inverter: Recommendation List 1b					
Frequency	Ceramic Resonator Type	$C_{X1} = C_{X2}$ [pF]	$R_f$ [ $\Omega$ ]	$R_{X2}$ [ $\Omega$ ]	Package
2MHz	CSA2.00MG040	100pF	Open	0	Leaded
	CST2.00MG040	(100pF)	Open	0	
4MHz	CSA4.00MG	30pF	Open	0	
	CST4.00MGW	(30pF)	Open	0	
6MHz	CSA6.00MG	30pF	Open	0	
	CST6.00MGW	(30pF)	Open	0	
8MHz	CSA8.00MTZ	30pF	Open	0	
	CST8.00MTW	(30pF)	Open	0	
10MHz	CSA10.0MTZ	30pF	Open	0	
	CST10.0MTW	(30pF)	Open	0	
2MHz	CSAC2.00MGC040	100pF	Open	0	SMD
	CSTC2.00MG	(30pF)	Open	2.2k	
4MHz	CSAC4.00MGC	30pF	Open	0	
	CSTCC4.00MG0H6	(47pF)	Open	0	
6MHz	CSAC6.00MGC	30pF	Open	0	
	CSTCC6.00MG	(15pF)	Open	0	
8MHz	CSACV8.00MTJ	30pF	Open	0	
	CSTCC8.00MG	(15pF)	Open	0	
10MHz	CSACV10.0MTJ	30pF	Open	0	
	CSTCC10.0MG	(15pF)	Open	0	



## 12.4 C500 Family: Type\_2a Oscillator-Inverter

The table below shows the derivatives which are compatible to the recommendation List 2a.

**Table 14**  
**C500 Family Derivatives including a Type\_2a Oscillator-Inverter compatible to List 2a**

Device	Step	Oscillator Frequency
SAF-C509-LM	DB	3.5 - 16/20 MHz
SAF-C505C-LM	AB	2 - 20 MHz
SAB80C517A-N18-T3	MA	3.5 - 18/24 MHz

## 12.4.1 C500 Family: Type\_2a Oscillator-Inverter, List 2a

The table below contains the recommendation List 2a for the external circuitry using a Type\_2a oscillator-inverter referred to different frequencies and different ceramic resonator types. The ceramic resonator types with values in parentheses are 3 terminal types (with built in load capacitors).

**Table 15**  
**Recommendation List 2a for external circuitry**  
**used with a Type\_2a Oscillator-Inverter**

Type_2a Oscillator-Inverter: Recommendation List 2a					
Frequency	Ceramic Resonator Type	$C_{X1} = C_{X2}$ [pF]	$R_f$ [ $\Omega$ ]	$R_{X2}$ [ $\Omega$ ]	Package
2MHz	CSA2.00MG040	100pF	Open	0	<b>Leaded</b>
	CST2.00MG040	(100pF)	Open	0	
4 MHz	CSA4.00MG	30	open	0	
	CST4.00MGW	(30)	open	0	
8 MHz	CSA8.00MTZ	30	open	0	
	CST8.00MTW	(30)	open	0	
12 MHz	CSA12.0MTZ	30	open	0	
	CST12.00MTW	(30)	open	0	
16 MHz	CSA16.00MXZ040	15	open	0	
	CST16.00MXW0C3	(15)	open	0	
18 MHz	CSA18.00MXZ040	10	open	0	
20 MHz	CSA20.00MXZ040	10	open	0	
24 MHz	CSA24.00MXZ040	5 or 7	open	0	
	CST24.00MXW0H1	(5)	open	0	

**Table 15**  
**Recommendation List 2a for external circuitry**  
**used with a Type\_2a Oscillator-Inverter (continued)**

2MHz	CSAC2.00MGC040	100pF	Open	0	<b>SMD</b>
	CSTC2.00MG	(30pF)	Open	2.2k	
4 MHz	CSAC4.00MGC	30	open	0	
	CSTCC4.00MG0H6	(47)	open	0	
8 MHz	CSACV8.00MTJ	30	open	0	
	CSTCC8.00MG0H6	(47)	open	0	
12 MHz	CSACV12.0MTJ	30	open	0	
	CSTCV12.0MTJ0C4	(22)	open	0	
16 MHz	CSACV16.00MXJ040	7	open	0	
18 MHz	CSACV18.00MXJ040	7	open	0	
20 MHz	CSACV20.00MXJ040	5	open	0	
	CSTCV20.00MXJ0H1	(5)	open	0	
24 MHz	CSACV24.00MXJ040	5	open	0	
	CSTCV24.00MXJ0H1	(5)	open	0	

## 12.5 C500 Family: Type\_2b Oscillator-Inverter

The table below shows the derivatives which are compatible to the recommendation List 2b.

**Table 16**  
**C500 Family Derivatives including a Type\_2b Oscillator-Inverter compatible to List 2b**

Device	Step	Oscillator Frequency
SAK-C505CA-4EM	AA	2 - 16/20 MHz

## 12.5.1 C500 Family: Type\_2b Oscillator-Inverter, List 2b

The table below contains the recommendation List 2b for the external circuitry using a Type\_2b oscillator-inverter referred to different frequencies and different ceramic resonator types. The ceramic resonator types with values in parentheses are 3 terminal types (with built in load capacitors).

**Table 17**

Recommendation **List 2b** for external circuitry used with a **Type\_2b** Oscillator-Inverter

Type_2a Oscillator-Inverter: Recommendation List 2a					
Frequency	Ceramic Resonator Type	$C_{X1} = C_{X2}$ [pF]	$R_f$ [ $\Omega$ ]	$R_{X2}$ [ $\Omega$ ]	Package
4 MHz	CSA4.00MG	30	open	0	Leaded
	CST4.00MGW	(30)	open	0	
8 MHz	CSA8.00MTZ	30	open	0	
	CST8.00MTW	(30)	open	0	
12 MHz	CSA12.0MTZ	30	open	0	
	CST12.00MTW	(30)	open	0	
16 MHz	CSA16.00MXZ040	15	open	0	
	CST16.00MXW0C3	(15)	open	0	
18 MHz	CSA18.00MXZ040	15	open	0	
	CST18.00MXW0H3	(15)	open	0	
20 MHz	CSA20.00MXZ040	15	open	0	
	CST20.00MXW040	(15)	open	0	
4 MHz	CSAC4.00MGC(M)	30	open	0	SMD
	CSTCC4.00MG0H6	(47)	open	0	
8 MHz	CSACV8.00MTJ	30	open	0	
	CSTCC8.00MG0H6	(47)	open	0	
12 MHz	CSACV12.0MTJ	30	open	0	
	CSTCV12.0MTJ0C4	(22)	open	0	
16 MHz	CSACV16.00MXJ040	10	open	0	
18 MHz	CSACV18.00MXJ040	10	open	0	
20 MHz	CSACV20.00MXJ040	7	open	0	

## 12.6 C500 Family: Type\_3b Oscillator-Inverter

The table below shows the derivatives which are compatible to the recommendation List 3b.

**Table 18**  
**C500 Family Derivatives including a Type\_3b Oscillator-Inverter compatible to List 3b**

Device	Step	Oscillator Frequency
SAB-C504-2EM	BB	3.5 - 40 MHz

## 12.6.1 C500 Family: Type\_3b Oscillator-Inverter, List 3b

The table below contains the recommendation List 3b for the external circuitry using a Type\_3b oscillator-inverter referred to different frequencies and different ceramic resonator types. The ceramic resonator types with values in parentheses are 3 terminal types (with built in load capacitors).

**Table 19**

**Recommendation List 3b for external circuitry used with a Type\_3b Oscillator-Inverter**

Type_3b Oscillator-Inverter: Recommendation List 3b					
Frequency	Ceramic Resonator Type	$C_{X1} = C_{X2}$ [pF]	$R_f$ [ $\Omega$ ]	$R_{X2}$ [ $\Omega$ ]	Package
3.5 MHz	CSA3.50MG040	100pF	Open	0	<b>Leaded</b>
	CST3.50MGW040	(100pF)	Open	0	
4 MHz	CSA4.00MG040	100pF	Open	0	
	CST4.00MGW040	(100pF)	Open	0	
8 MHz	CSA8.00MTZ040	100pF	Open	0	
	CST8.00MTW040	(100pF)	Open	0	
12 MHz	CSA12.0MTZ	30pF	Open	0	
	CST12.0MTW	(30pF)	Open	0	
16 MHz	CSA16.00MXZ040	30pF	Open	0	
	CST16.00MXW040	(30pF)	Open	0	
20 MHz	CSA20.00MXZ040	22pF	Open	0	
	CST20.00MXW0H4	(22pF)	Open	0	
24 MHz	CSA24.00MXZ040	15pF	Open	0	
	CST24.00MXW040	(15pF)	Open	0	
32 MHz	CSA32.00MXZ040	10pF	Open	0	
40 MHz	CSA40.00MXZ040	7pF	Open	0	
3.5 MHz	CSAC3.50MGC040	100pF	Open	0	<b>SMD</b>
	CSTC3.50MG	(30pF)	Open	3.3k	
4 MHz	CSAC4.00MGC040	100pF	Open	0	
	CSTCC4.00MG0H6	(47pF)	Open	680	
8 MHz	CSACV8.00MTJ040	100pF	Open	0	
	CSTCC8.00MG0H6	(47pF)	Open	0	
12 MHz	CSACV12.0MTJ	30pF	Open	0	
	CSTCV12.0MTJ0C4	(22pF)	Open	0	

## 12.7 C500 Family: Type\_5 Oscillator-Inverter

The table below shows the derivatives which are compatible to the recommendation List 5.

**Table 20**  
**C500 Family Derivatives including a Type\_5 Oscillator-Inverter compatible to List 5**

Device	Step	Oscillator Frequency
SAB-C513A-2RN	BB	3.5 - 12 MHz



## 12.7.1 C500 Family: Type\_5 Oscillator-Inverter, List 5

The table below contains the recommendation List 5 for the external circuitry using a Type\_5 oscillator-inverter referred to different frequencies and different ceramic resonator types. The ceramic resonator types with values in parentheses are 3 terminal types (with built in load capacitors).

**Table 21**

Recommendation **List 5** for external circuitry used with a **Type\_5** Oscillator-Inverter

Type_5 Oscillator-Inverter: Recommendation List 5					
Frequency	Ceramic Resonator Type	$C_{X1} = C_{X2}$ [pF]	$R_f$ [ $\Omega$ ]	$R_{X2}$ [ $\Omega$ ]	Package
4 MHz	CSA4.00MG040	100	open	0	Leaded
	CST4.00MGW040	(100)	open	0	
8 MHz	CSA8.00MTZ	30	open	0	
	CST8.00MTW	(30)	open	0	
10 MHz	CSA10.0MTZ	30	open	0	
	CST10.00MTW	(30)	open	0	
12 MHz	CSA12.0MTZ	30	open	0	
	CST12.00MTW	(30)	open	0	
4 MHz	CSAC4.00MGC(M)040	100	open	0	SMD
	CSTCC4.00MG0H6	(47)	open	0	
8 MHz	CSACV8.00MTJ	30	open	0	
	CSTCC8.00MG0H6	(47)	open	0	
10 MHz	CSACV10.0MTJ	30	open	0	
	CSTCC10.0MG	(15)	open	0	
12 MHz	CSTCC10.0MG0H6	(47)	open	0	
	CSACV12.0MTJ	30	open	0	
	CSTCV12.0MTJOC4	(22)	open	0	

## 12.8 C500 Family: Type\_8 Oscillator-Inverter

The table below shows the derivatives which are compatible to the recommendation List 8.

**Table 22**  
**C500 Family Derivatives including a Type\_8 Oscillator-Inverter compatible to List 8**

Device	Step	Oscillator Frequency
SAB80C517A-N18	LA	3.5 - 18 MHz

## 12.8.1 C500 Family: Type\_8 Oscillator-Inverter, List 8

The table below contains the recommendation List 1b for the external circuitry using a Type\_8 oscillator-inverter referred to different frequencies and different ceramic resonator types. The ceramic resonator types with values in parentheses are 3 terminal types (with built in load capacitors).

**Table 23**

Recommendation **List 8** for external circuitry used with a **Type\_8** Oscillator-Inverter

Type_8 Oscillator-Inverter: Recommendation List 8					
Frequency	Ceramic Resonator Type	$C_{X1} = C_{X2}$ [pF]	$R_f$ [ $\Omega$ ]	$R_{X2}$ [ $\Omega$ ]	Package
4 MHz	CSA4.00MG	30	open	0	Leaded
	CST4.00MGW	(30)	open	0	
8 MHz	CSA8.00MTZ	30	open	0	
	CST8.00MTW	(30)	open	0	
12 MHz	CSA12.0MTZ	30	open	0	
	CST12.00MTW	(30)	open	0	
16 MHz	CSA16.00MXZ040	7	open	0	
18 MHz	CSA18.00MXZ040	7	open	0	
4 MHz	CSAC4.00MGC(M)	30	open	0	SMD
	CSTCC4.00MG0H6	(47)	open	0	
8 MHz	CSACV8.00MTJ	30	open	0	
	CSTCC8.00MG	(15)	open	0	
12 MHz	CSACV12.0MTJ	30	open	0	
	CSTCV12.0MTJOC4	(22)	open	0	
16 MHz	CSACV16.00MXJ040	5	open	0	
	CSTCV16.0MXJOC1	(5)	open	0	
18 MHz	CSACV18.00MXJ040	5	open	0	
	CSTCV18.0MXJOC1	(5)	open	0	

## 12.9 C500 Family: Type\_9 Oscillator-Inverter

The table below shows the derivatives which are compatible to the recommendation List 9.

**Table 24**  
C500 Family Derivatives including a Type\_9 Oscillator-Inverter compatible to List 9

Device	Step	Oscillator Frequency
SAB80C537-N T40/110	DB	3.5 - 16 MHz

### 12.9.1 C500 Family: Type\_9 Oscillator-Inverter, List 9

The table below contains the recommendation List 9 for the external circuitry using a Type\_9 oscillator-inverter referred to different frequencies and different ceramic resonator types. The ceramic resonator types with values in parentheses are 3 terminal types (with built in load capacitors).

**Table 25**  
Recommendation List 9 for external circuitry used with a Type\_9 Oscillator-Inverter

Type_9 Oscillator-Inverter: Recommendation List 9					
Frequency	Ceramic Resonator Type	$C_{X1} = C_{X2}$ [pF]	$R_f$ [ $\Omega$ ]	$R_{X2}$ [ $\Omega$ ]	Package
4 MHz	CSA4.00MG	30	open	0	Leaded
	CST4.00MGW	(30)	open	0	
8 MHz	CSA8.00MTZ	30	open	0	
	CST8.00MTW	(30)	open	0	
12 MHz	CSA12.0MTZ	30	open	0	
	CST12.00MTW	(30)	open	0	
16 MHz	CSA16.00MXZ040	10	open	0	
4 MHz	CSAC4.00MGC(M)	30	open	0	SMD
	CSTCC4.00MG0H6	(47)	open	0	
8 MHz	CSACV8.00MTJ	30	open	0	
	CSTCC8.00MG	(15)	open	0	
12 MHz	CSACV12.0MTJ	30	open	0	
	CSTCV12.0MTJ0C4	(22)	open	0	
16 MHz	CSACV16.00MXJ040	5	open	0	
	CSTCV16.0MXJ0C1	(5)	open	0	

## 13 Appendix C166 Family

All derivatives, steps and oscillator-inverter types of the C166 Family shown in the table below are included in the recommendations of the following pages. For each type of oscillator-inverter there is a proposal for the right composition of external circuits referred to different frequencies. Depending on the technology of the devices there are different recommendation lists for one inverter type.

Note: The recommendation lists do not always include values for the whole frequency range of the oscillator-inverter. Because these general recommendations are based on a safety margin concerning the loading capacitance variation of +/- 50% or more. An analysis of a specific application can allow a higher frequency for the oscillator-inverter.

### 13.1 C166 Family: Relation between Device Type, Oscillator-Inverter Type and Recommendation List

**Table 26**  
**C166 Family Derivatives, Oscillator-Inverter Type and Recommendation List**

Device	Step	Inverter	List
SAX-C163-16F25F	AA, BA, BB	Type_R	R_1
SAX-C165-LF	CA	Type_R	R_2
SAX-C165-LM	CA	Type_R	R_2
SAX-C167-LM	BA, BB, BC, BD	Type_R	R_3
SAX-C167S-4RM	AA,BA, BB, DA, DB	Type_R	R_3
SAX-C167SR-LM	BA, BB, CA, CB, DA, DB	Type_R	R_3
SAX-C167CR-LM	BA, BB, BE, CA, CB, DA, DB	Type_R	R_3
SAX-C167CR-4RM	AA, AB, AC, DA, DB	Type_R	R_3
SAX-C167CR-16RM	AA	Type_R	R_3
SAX C161RI-L16F / L16M	AA	Type_LP1	LP1/2
SAX C161RI-L16F / L16M	BA, BB	Type_LP2	LP1/2
SAX C164CI	BA, BB, BC	Type_LP2	LP1/2

### 13.2 C166 Family: **Type\_R** Oscillator-Inverter (1)

The table below shows the derivatives which are compatible to the recommendation List R\_1.

**Table 27**  
**C166 Family Derivatives including a **Type\_R** Oscillator-Inverter compatible to **List R\_1****

Device	Step	Oscillator Frequency
SAX-C163-16F25F	AA, BA, BB	3,5 - 24 (40) MHz

## 13.2.1 C166 Family: Type\_R Oscillator-Inverter, List R\_1

The table below contains the recommendation List R\_1 for the external circuitry using a Type\_R oscillator-inverter referred to different frequencies and different ceramic resonator types. The ceramic resonator types with values in parentheses are 3 terminal types (with built in load capacitors).

**Table 28**  
Recommendation List R\_1 for external circuitry used with a Type\_R Oscillator-Inverter

Type_R Oscillator-Inverter: Recommendation List R_1					
Frequency	Ceramic Resonator Type	$C_{X1} = C_{X2}$ [pF]	$R_f$ [ $\Omega$ ]	$R_{X2}$ [ $\Omega$ ]	Package
2 MHz	CSA2.00MG040	100	Open	680	Leaded
	CST2.00MG040	(100)	Open	680	
4 MHz	CSA4.00MG040	100	Open	220	
	CST4.00MGW040	(100)	Open	220	
8 MHz	CSA8.00MTZ040	100	Open	0	
	CST8.00MTW040	(100)	Open	0	
12 MHz	CSA12.0MTZ	30	Open	0	
	CST12.0MTW	(30)	Open	0	
16 MHz	CSA16.00MXZ040	30	Open	0	
	CST16.00MXW040	(30)	Open	0	
20 MHz	CSA20.00MXZ040	22	Open	0	
	CST20.00MXW0H4	(22)	Open	0	
24 MHz	CSA24.00MXZ040	10	Open	0	
	CSA32.00MXZ040	7	Open	0	
40 MHz	CSA40.00MXZ040	5	Open	0	
	CST40.00MXW040	(5 )	Open	0	
2 MHz	CSAC2.00MGC040	100	Open	680	SMD
	CSTC2.00MG	(30)	Open	6.8 k	
4 MHz	CSAC4.00MGC040	100	Open	220	
	CSTCC4.00MG0H6	(47)	Open	680	
8 MHz	CSACV8.00MTJ040	100	Open	0	
	CSTCC8.00MG0H6	(47)	Open	0	
12 MHz	CSACV12.0MTJ	30	Open	0	
	CSTCV12.0MTJ0C4	(22)	Open	0	

## 13.3 C166 Family: Type\_R Oscillator-Inverter (2)

The table below shows the derivatives which are compatible to the recommendation List R\_2.

**Table 29**  
**C166 Family Derivatives including a Type\_R Oscillator-Inverter compatible to List R\_2**

Device	Step	Oscillator Frequency
SAX-C165-LF	CA	3,5 - 24 (40) MHz
SAX-C165-LM	CA	3,5 - 24 (40) MHz



## 13.3.1 C166 Family: Type\_R Oscillator-Inverter, List R\_2

The table below contains the recommendation List R\_2 for the external circuitry using a Type\_R oscillator-inverter referred to different frequencies and different ceramic resonator types. The ceramic resonator types with values in parentheses are 3 terminal types (with built in load capacitors).

**Table 30**

Recommendation List R\_2 for external circuitry used with a Type\_R Oscillator-Inverter

Type_R Oscillator-Inverter: Recommendation List R_2					
Frequency	Ceramic Resonator Type	$C_{X1} = C_{X2}$ [pF]	$R_f$ [ $\Omega$ ]	$R_{X2}$ [ $\Omega$ ]	Package
2 MHz	CSA2.00MG040	100	Open	680	Leaded
	CST2.00MG040	(100)	Open	680	
4 MHz	CSA4.00MG040	100	Open	470	
	CST4.00MGW040	(100)	Open	470	
8 MHz	CSA8.00MTZ040	100	Open	0	
	CST8.00MTW040	(100)	Open	0	
12 MHz	CSA12.0MTZ040	100	Open	0	
	CST12.0MTW040	(100)	Open	0	
16 MHz	CSA16.00MXZ040	30	Open	0	
	CST16.00MXW040	(30)	Open	0	
20 MHz	CSA20.00MXZ040	22	Open	0	
	CST20.00MXW0H4	(22)	Open	0	
24 MHz	CSA24.00MXZ040	10	Open	0	
	CSA32.00MXZ040	7	Open	0	
40 MHz	CSA40.00MXZ040	5	Open	0	
	CST40.00MXW040	(5)	Open	0	
2 MHz	CSAC2.00MGC040	100	Open	680	SMD
	CSTC2.00MG	(30)	Open	10k	
4 MHz	CSAC4.00MGC040	100	Open	470	
	CSTCC4.00MG0H6	(47)	Open	1.5k	
8 MHz	CSACV8.00MTJ040	100	Open	0	
	CSTCC8.00MG0H6	(47)	Open	470	
12 MHz	CSACV12.0MTJ	30	Open	470	
	CSTCV12.0MTJ0C4	(22)	Open	470	

## 13.4 C166 Family: Type\_R Oscillator-Inverter (3)

The table below shows the derivatives which are compatible to the recommendation List R\_3.

**Table 31**  
**C166 Family Derivatives including a Type\_R Oscillator-Inverter compatible to List R\_3**

Device	Step	Oscillator Frequency
SAX-C167-LM	BA, BB, BC, BD	3,5 - 24 (40) MHz
SAX-C167S-4RM	AA,BA, BB, DA, DB	3,5 - 24 (40) MHz
SAX-C167SR-LM	BA, BB, CA, CB, DA, DB	3,5 - 24 (40) MHz
SAX-C167CR-LM	BA, BB, BE, CA, CB, DA, DB	3,5 - 24 (40) MHz
SAX-C167CR-4RM	AA, AB, AC, DA, DB	3,5 - 24 (40) MHz
SAX-C167CR-16RM	AA	3,5 - 24 (40) MHz

## 13.4.1 C166 Family: Type\_R Oscillator-Inverter, List R\_3

The table below contains the recommendation List R\_3 for the external circuitry using a Type\_R oscillator-inverter referred to different frequencies and different ceramic resonator types. The ceramic resonator types with values in parentheses are 3 terminal types (with built in load capacitors).

**Table 32**

Recommendation List R\_3 for external circuitry used with a Type\_R Oscillator-Inverter

Type_R Oscillator-Inverter: Recommendation List R_3					
Frequency	Ceramic Resonator Type	$C_{X1} = C_{X2}$ [pF]	$R_f$ [ $\Omega$ ]	$R_{X2}$ [ $\Omega$ ]	Package
2 MHz	CSA2.00MG040	100	Open	680	Leaded
	CST2.00MG040	(100)	Open	680	
4 MHz	CSA4.00MG040	100	Open	0	
	CST4.00MGW040	(100)	Open	0	
8 MHz	CSA8.00MTZ040	100	Open	0	
	CST8.00MTW040	(100)	Open	0	
12 MHz	CSA12.0MTZ040	100	Open	0	
	CST12.0MTW040	(100)	Open	0	
16 MHz	CSA16.00MXZ040	30	Open	0	
	CST16.00MXW040	(30)	Open	0	
20 MHz	CSA20.00MXZ040	22	Open	0	
	CST20.00MXW0H4	(22)	Open	0	
24 MHz	CSA24.00MXZ040	10	Open	0	
	CSA32.00MXZ040	7	Open	0	
40 MHz	CSA40.00MXZ040	5	Open	0	
	CST40.00MXW040	(5)	Open	0	
2 MHz	CSAC2.00MGC040	100	Open	680	SMD
	CSTC2.00MG	(30)	Open	10k	
4 MHz	CSAC4.00MGC040	100	Open	0	
	CSTCC4.00MG0H6	(47)	Open	680	
8 MHz	CSACV8.00MTJ040	100	Open	0	
	CSTCC8.00MG0H6	(47)	Open	0	
12 MHz	CSACV12.0MTJ	30	Open	220	
	CSTCV12.0MTJ0C4	(22)	Open	220	

## 13.5 C166 Family: Type\_LP1 / Type\_LP2 Oscillator-Inverter

The table below shows the derivatives which are compatible to the recommendation List LP1/2.

**Table 33**  
**C166 Family Derivatives including a Type\_LP1 / Type\_LP2 Oscillator-Inverter compatible to List LP1/2**

Device	Step	Oscillator Frequency
SAX C161RI-L16F / L16M	AA	3,5 - 16 MHz
SAX C161RI-L16F / L16M	BA, BB	3,5 - 16 MHz
SAX C164CI	BA, BB, BC	3,5 - 16 MHz

## 13.5.1 C166 Family: Type\_LP1 / Type\_LP2 Oscillator-Inverter, List LP1/2

The table below contains the recommendation List LP1/2 for the external circuitry using a Type\_LP1 or Type\_LP2 oscillator-inverter referred to different frequencies and different ceramic resonator types. The ceramic resonator types with values in parentheses are 3 terminal types (with built in load capacitors).

**Table 34**

**Recommendation List LP1/2 for external circuitry used with a Type\_LP1 or Type\_LP2 Oscillator-Inverter**

Type_LP1 or Type_LP2 Oscillator-Inverter: Recommendation List LP1/2					
Frequency	Ceramic Resonator Type	$C_{X1} = C_{X2}$ [pF]	$R_f$ [ $\Omega$ ]	$R_{X2}$ [ $\Omega$ ]	Package
2 MHz	CSA2.00MG040	100	Open	0	<b>Leaded</b>
	CST2.00MG040	(100)	Open	0	
4 MHz	CSA4.00MG	30	Open	0	
	CST4.00MGW	(30)	Open	0	
8 MHz	CSA8.00MTZ	30	Open	0	
	CST8.00MTW	(30)	Open	0	
12 MHz	CSA12.0MTZ	30	Open	0	
	CST12.0MTW	(30)	Open	0	
2 MHz	CSAC2.00MGC040	100	Open	0	<b>SMD</b>
	CSTC2.00MG	(30)	Open	2.2 k	
4 MHz	CSAC4.00MGC	30	Open	0	
	CSTCC4.00MG	(15)	Open	0	
8 MHz	CSACV8.00MTJ	30	Open	0	
	CSTCC8.00MG	(15)	Open	0	
12 MHz	CSACV12.0MTJ	30	Open	0	
	CSTCV12.0MTJOC4	(22)	Open	0	

## 14 Murata Sales Offices

For more information on Murata products  
please call your local Murata sales office.



### Japan **Murata International Division**

1-18-1 Hakusan, Midori-ku, Yokohama-shi, Kanagawa 226-0006, Japan  
Phone: +81-45-931-7111 Fax: +81-45-931-7105 E-mail: intl@murata.co.jp

### U.S.A. **Murata Electronics North America, Inc.**

2200 Lake Park Drive Smyrna, GA 30080-7604, U.S.A.  
Phone: +1-770-436-1300 Fax: +1-770-436-3030 E-mail: webmaster@murata.com

### Brazil **Murata Amazônia Indústria E Comércio Ltda.**

Alameda. Santos, 1.893-6° andar-conj. 62-Sao Paulo-SP, Brazil CEP 01419-910  
Phone: +55-11-287-7188 Fax: +55-11-289-8310 E-mail: murata@wac.com.br

### **Murata World Comercial Ltda.**

Avenida Buriti 7040, Distrito Industrial CEP 69075-000-Amazonas-Manaus Brazil  
Phone: +55-92-615-4220 Fax: +55-92-615-3443

### Germany **Murata Elektronik Handels GmbH**

Holbeinstrasse 21-23, 90441 Nürnberg, Germany  
Phone: +49-911-66870 Fax: +49-911-6687411 E-mail: info@murata.de

### France **Murata Electronique S.A.**

18, 22, Avenue Edouard Herriot Copernic 6, 92356 Le Plessis Robinson Cedex, France  
Phone: +33-1-4094-8300 Fax: +33-1-4094-0154 E-mail: info@murata.fr

### Italy **Murata Elettronica S.p.A.**

Via Sancarolo 1, 20040 Caponago, Milano, Italy  
Phone: +39-2-95743000 Fax: +39-2-9574-0168 / 2292 E-mail: info@murata.it

### England **Murata Electrics (UK) Ltd.**

Oak House, Ancells Road, Ancells Business Park, Fleet,  
Aldershot Hampshire, GU13 8UN U.K.  
Phone: +44-1252-811666 Fax: +44-1252-811777 E-mail: info@murata.uk

### Netherlands **Murata Electronics (Netherlands) B.V.**

Daalmeerstraat 4, 2131 HC Hoofddorp, The Netherlands  
Phone +31-23-5698410 Fax: +31-23-5698441 E-mail: info@murata.nl

Switzerland **Murata Ageltro Electronics AG**

Isenrietstrasse 19, CH-8617 Mönchaltorf Switzerland

Phone: +41-1-948-1314 Fax: +41-1-948-1769

Singapore **Murata Electronics Singapore (Pte.) Ltd.**

547 Yishun Industrial Park Singapore 768766, Republic of Singapore

Phone: +65-758-4233 Fax: +65-758-2026 E-mail: mes\_sales@murata.com.sg

Malaysia **Murata Trading (Malaysia) Sdn. Bhd.**

Suite 1510, Plaza Pengkalan, Batu3 jalan Ipoh, 51200 Kuala Lumpur Malaysia

Phone: +60-3-442-5227 Fax: +60-3-443-8018 E-mail: mtm\_kl\_sales@murata.com.sg

**Murata Trading (Malaysia) Sdn. Bhd. Penang Office**

9.06 Wisma Tahwa No. 39 Jalan Sultan Ahmad Shah 10050 Pualu Penang Malaysia

Phone: +60-4-229-4258 Fax: +60-4-229-4257 E-mail: mtm\_png\_sales@murata.com.sg

Philippin **Murata Electronics Philippines Inc.**

Unit No.G-3, Park Trade Centre, Block 4, Lot 2 Investment Street,

Madrigal Business Park Alabang, Muntinlupa City, Metro Manil Phillipines.

Phone: +63-2-850-4854 Fax: +63-2-850-4855

Taiwan **Murata Electronics North America, Inc. Taiwan Branch**

Room 1403, Chia Hsin Building 96, Chung-Shan N. Rd., Sec. 2, Taipei Taiwan, R.O.C.

Phone: +886-2-562-4218 Fax: +886-2-536-6721 E-mail: murata@gcn.net.tw

Thailand **Murata Electronics (Thailand), Ltd.**

No. 62. Thaniya Building, 3rd Floor Silom Road, Bangkok, 10500 Kingdom of Thailand

Phone: +66-2-236-3512 / 3491 Fax: +66-2-238-4873

**Thai Murata Electronics Trading, Ltd.**

Phone: +66-2-266-0750 Fax: +66-2-266-0752 E-mail: tmt\_sales@murata.com.sg

Hong Kong **Murata Co., Ltd.**

Room 707-712, Miramar Tower, 1-23 Kimberly Road, Tsimshatsui, Kowloon, Hong Kong

Phone: +852-2376-3898 Fax: +852-2375-5655 E-mail: enquiry@murata.com.hk

Korea **Murata Mfg.Co., Ltd. Seoul Branch**

14th Floor Haesung 2 Bldg., 942-10, Taechi-Dong, Kangnam\_Ku, Seoul, Korea

Phone: +82-2-561-2347 Fax: +82-2-561-2722

China **Beijing Murata Electronics Co., Ltd.**

No. 11 Tianzhu Road Tianzhu Airport Industry Zone Shunyi County,

Beijing 101312 the People's Republic of China

Phone: + 86-10-6456-8822 Fax: +86-10-6456-9945 E-mail: bme@public.east.cn.net

**Murata Electronic Trading (Shanghai) Co., Ltd.**

Room No.506, West Tower Sun plaza 88 Xianxia Road, Changning District Shanghai,  
200335 P.R.C.

Phone: +86-21-6270-0611 / 2 / 3 Fax: +86-21-6270-0614