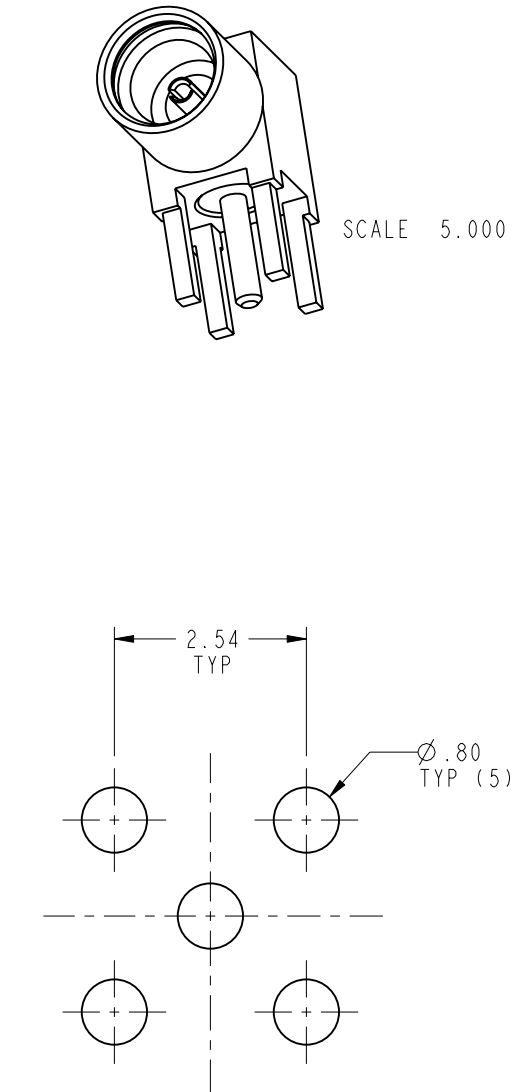
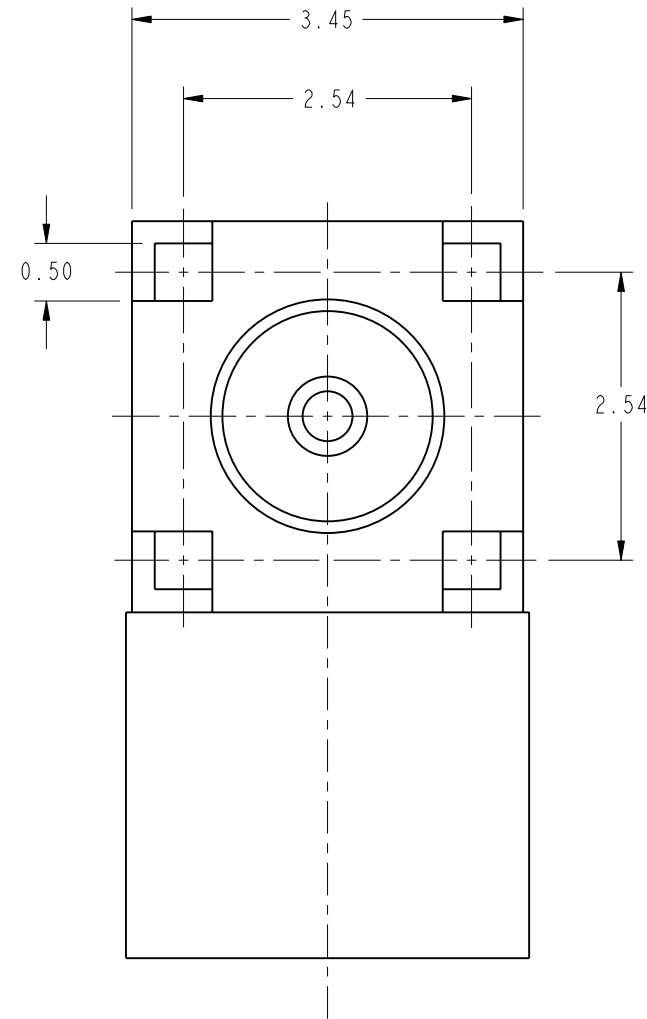
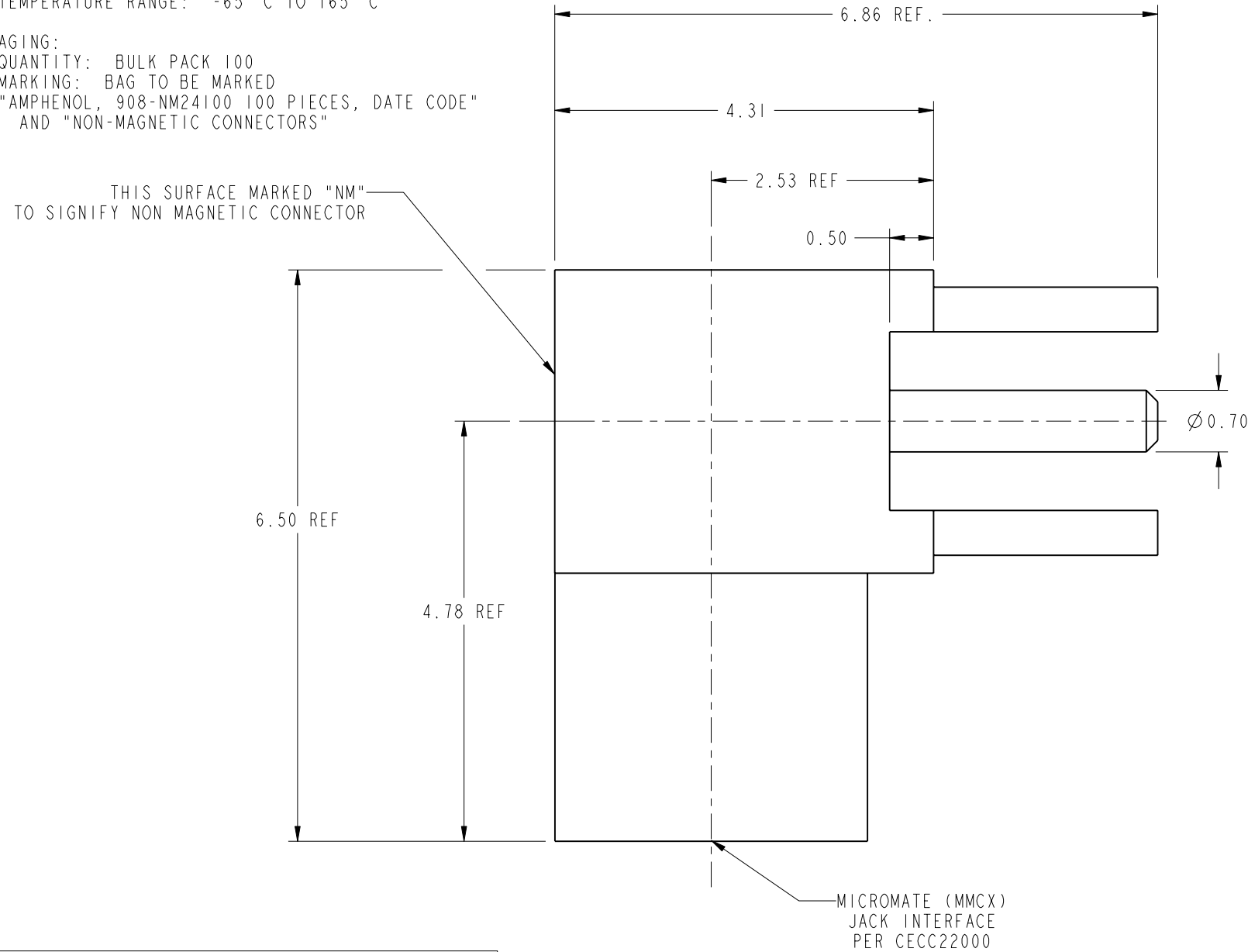


NOTES:

1. MATERIALS AND FINISHES:
 INTERFACE BODY - BeCu, WHITE BRONZE PLATING
 CONTACT & PCB BODY- BeCu, GOLD PLATING OVER WHITE BRONZE
 INSULATOR - PTFE
2. ELECTRICAL:
 A. IMPEDANCE: 50 OHM
 B. FREQUENCY RANGE: DC - 6 GHz
 C. DIELECTRIC WITHSTANDING VOLTAGE: 500 VRMS, MIN.
3. MECHANICAL:
 A. DURABILITY: 500 CYCLES MIN.
 B. TEMPERATURE RANGE: -65° C TO 165° C
4. PACKAGING:
 A. QUANTITY: BULK PACK 100
 B. MARKING: BAG TO BE MARKED
 "AMPHENOL, 908-NM24100 100 PIECES, DATE CODE"
 AND "NON-MAGNETIC CONNECTORS"

908-NM24100		REVISIONS			
PART NO.	REV	DESCRIPTION	DATE	ECO	APPR
THIRD ANGLE PROJ.	A	RELEASE TO MFG.	8/8/06	46108	KJC



RECOMMENDED MOUNTING HOLE DIMENSIONS

CUSTOMER OUTLINE DRAWING
 ALL OTHER SHEETS ARE FOR INTERNAL USE ONLY

METRIC DRAWING

UNLESS OTHERWISE SPECIFIED, DIMENSIONS ARE METRIC AND TOLERANCES ARE: 1 PLACE DECIMAL 2 PLACE DECIMAL ANGLES $\pm 0.3\text{MM} (.012")$ $\pm .10\text{MM} (.004")$ $\pm 1^\circ$	MATERIAL	DRAWN	DATE	TITLE ASSEMBLY MMCX JACK R/A TO PCB NON MAGNETIC		Amphenol RF Danbury CT USA, Tainan, Taiwan, Shenzhen, China www.amphenolrf.com	
	-	K. CAPOZZI	18-Jul-06				
NOTICE - These drawings, specifications, or other data (1) are, and remain the property of Amphenol corp. (2) must be returned upon request; and (3) are confidential and not to be disclosed to any person other than those to whom they are given by Amphenol Corp. the furnishing of these drawings, specifications, or other data by Amphenol Corp., or to any other person to anyone for any purpose is not to be regarded by implication or otherwise in any manner licensing, granting rights to permitting such holder or any other person to manufacture, use or sell any product, process or design, patented or otherwise, that may in any way be related to or disclosed by said drawings, specifications, or other data.	REFERENCE	ENGINEER	DATE	SCALE: 15.0:1.0 SHEET 2 OF 2		DRAWING NO. ITEM NO.	
	EAR # 1952 AND	K. CAPOZZI	18-Jul-06				
	CONFIGURATION LEVEL: Released	APPROVED	DATE		DWG SIZE CODE ID REV B 74868 A		PART NO. 908-NM24100
FINISH	B. C. GLEISSNER	8/8/06	Root Folder/MMCX/908-NM24100				