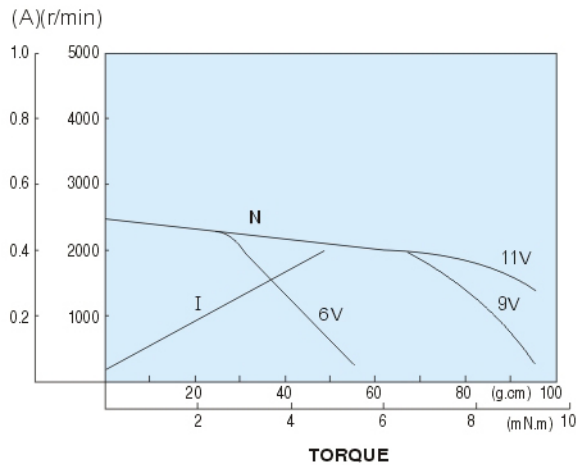


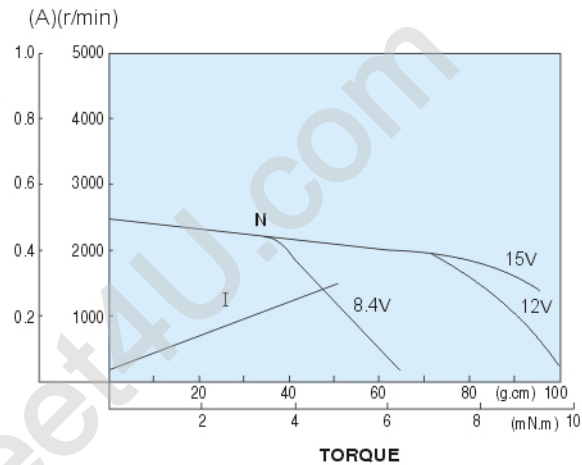
EG-530AD-9F(9B)

6.0V/9.0V/11.0V

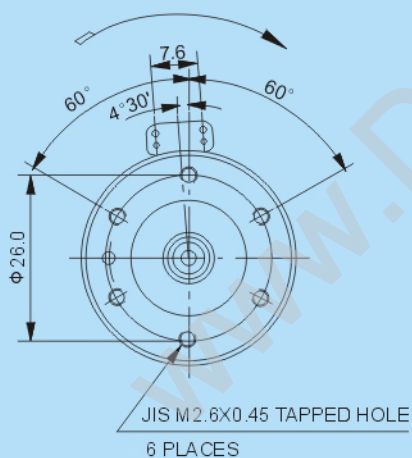


EG-530AD-2F(2B)

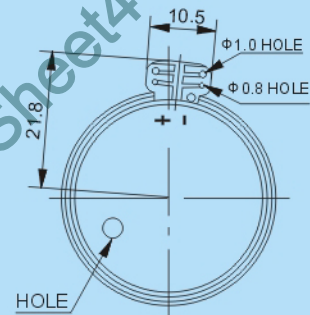
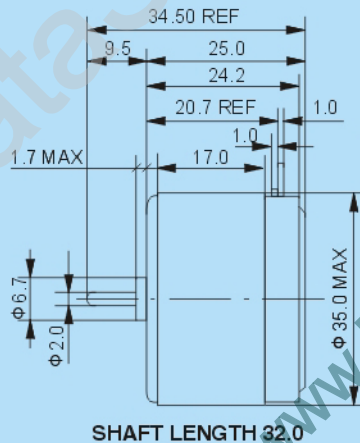
8.4V/12.0V/15.0V



DIRECTION OF ROTATION



UNIT: MILLIMETERS



WEIGHT: 70g(APPROX)