

**PLEASE CHECK WWW.MOLEX.COM FOR LATEST PART INFORMATION**

**Part Number:** **0547220304**  
**Status:** **Active**  
**Description:** 0.50mm (.020") Pitch SlimStack™ Receptacle, Surface Mount, Dual Row, Vertical, 1.50mm (.059") Stacking Height, Lower Circuit Size Version, 30 Circuits, Gold Plating with Nickel Barrier Plating Between Contact and Tail

**Documents:**

[3D Model](#) [Product Specification PS-54722-010 \(PDF\)](#)  
[Drawing \(PDF\)](#) [RoHS Certificate of Compliance \(PDF\)](#)

**General**

Product Family PCB Receptacles  
 Series 54722  
 Application Board-to-Board  
 Comments Embossed Tape Reel Height: 380mm (14.961")|Gold plating with Nickel plating between contact and tail  
 Product Name SlimStack™

**Physical**

Circuits (Loaded) 30  
 Color - Resin Black  
 Durability (mating cycles max) 30  
 Glow-Wire Compliant No  
 Lock to Mating Part None  
 Mated Height (in) 0.059 In  
 Mated Height (mm) 1.50 mm  
 Material - Metal Phosphor Bronze  
 Material - Plating Mating Gold  
 Material - Plating Termination Gold  
 Material - Resin High Temperature Thermoplastic  
 Number of Rows 2  
 Orientation Vertical  
 PCB Locator No  
 PCB Retention None  
 Packaging Type Embossed Tape on Reel  
 Pitch - Mating Interface (in) 0.020 In  
 Pitch - Mating Interface (mm) 0.50 mm  
 Polarized to PCB No  
 Surface Mount Compatible (SMC) N/A  
 Temperature Range - Operating -25°C to +85°C  
 Termination Interface: Style Surface Mount

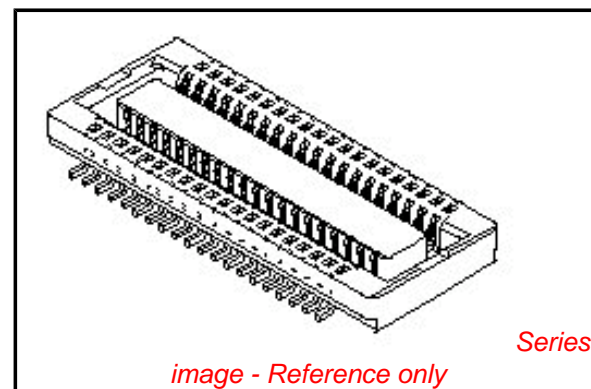
**Electrical**

Current - Maximum per Contact 0.5A  
 Voltage - Maximum 50V

**Material Info**

**Reference - Drawing Numbers**

Product Specification PS-54722-010, RPS-54722-024, RPS-54722-027, RPS-54722-031  
 Sales Drawing SD-54722-011, SD-54722-012



**EU RoHS**

**ELV and RoHS Compliant**  
**REACH SVHC**  
 Not Reviewed  
**Halogen-Free Status**

**China RoHS**



**Need more information on product environmental compliance?**

Email [productcompliance@molex.com](mailto:productcompliance@molex.com)  
 For a multiple part number RoHS Certificate of Compliance, [click here](#)

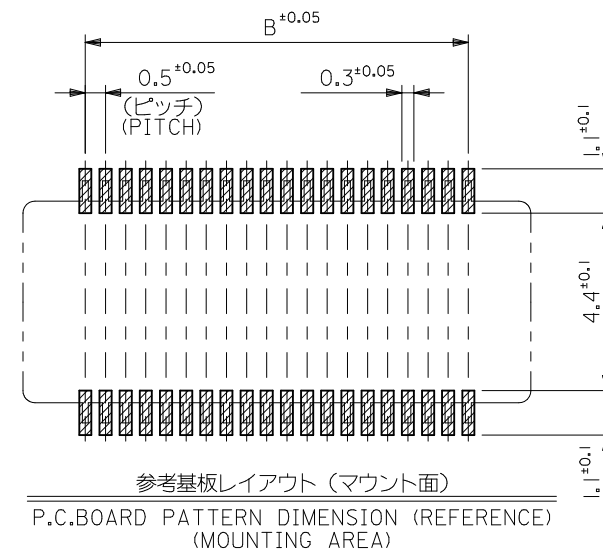
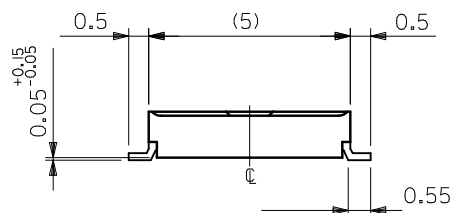
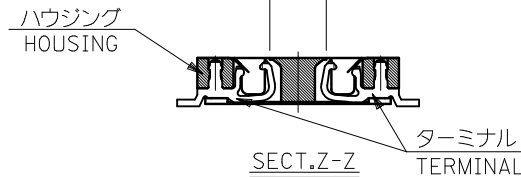
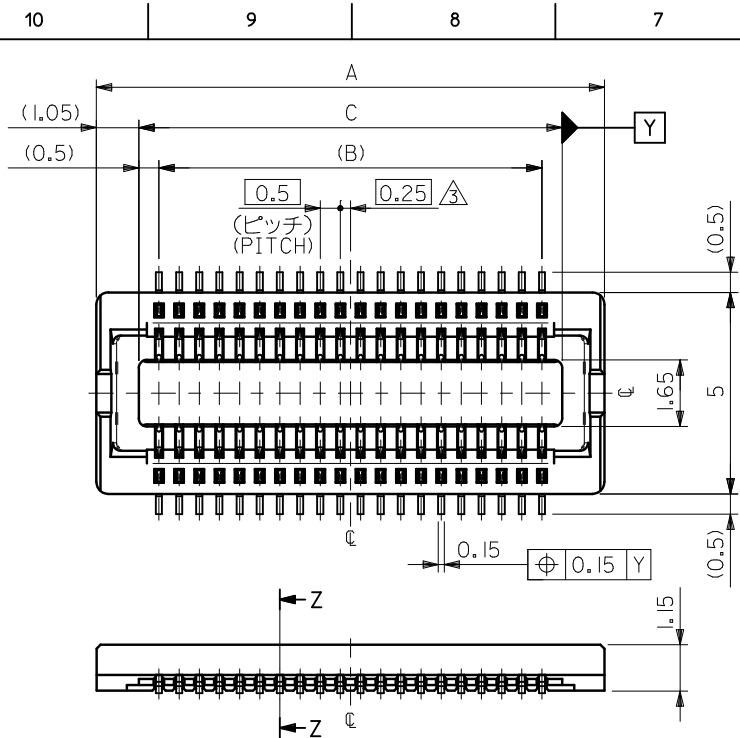
Please visit the [Contact Us](#) section for any non-product compliance questions.

**Search Parts in this Series**

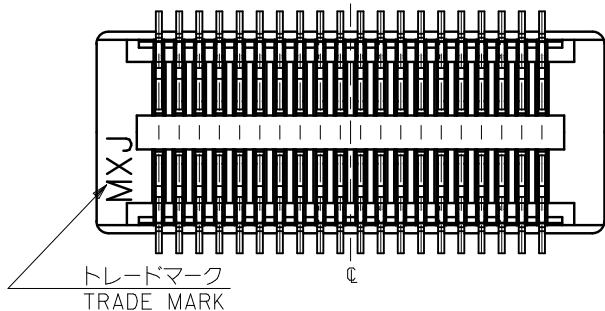
54722Series

**Mates With**

55560 PCB Header



30極以下品形状  
SHAPE OF 30 CIRCUITS OR LESS



注記 NOTES:

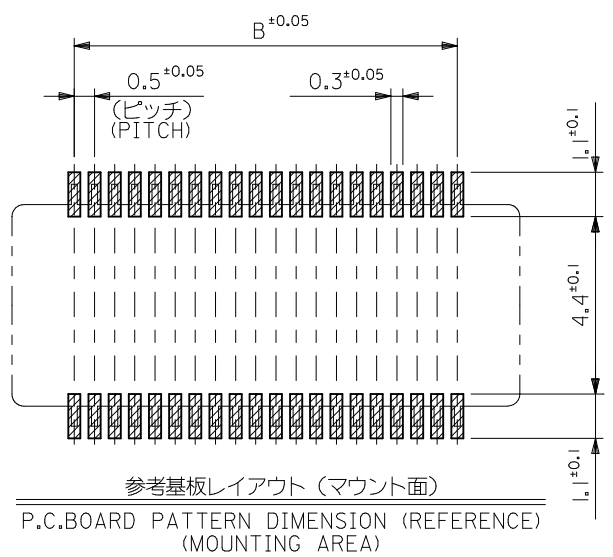
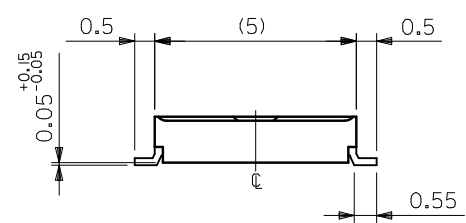
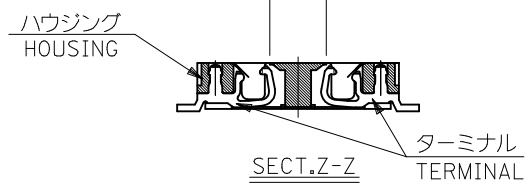
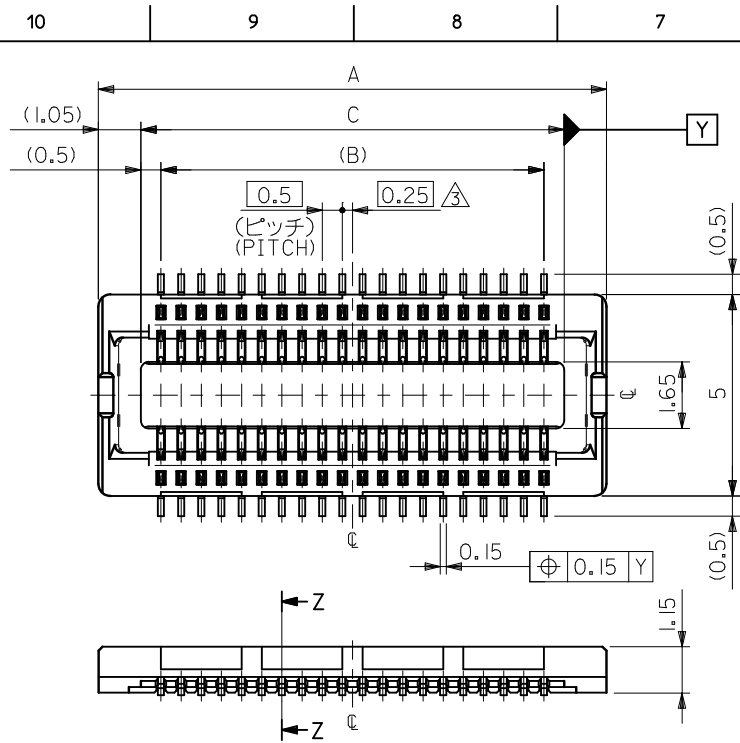
1. 使用材料 MATERIAL  
ハウジング: 液晶ポリマー ガラス充填、UL94V-0 (黒)  
HOUSING: LIQUID CRYSTAL POLYMER (GLASS FILLED)  
UL94V-0, (COLOR: BLACK)  
ターミナル: リン青銅 (t=0.15)  
TERMINAL: PHOSPHOR BRONZE (t=0.15)
2. メッキ仕様 PLATING  
金メッキ 0.25マイクロメートル以上 (コンタクト部)  
GOLD 0.25 MICROMETER MINIMUM (CONTACT AREA)  
金メッキ 0.4マイクロメートル以下 (テール部)  
GOLD 0.4 MICROMETER MAXIMUM (TAIL AREA)  
下地メッキ: ニッケルメッキ 1.5マイクロメートル以上  
UNDER PLATING: NICKEL 1.5 MICROMETER MINIMUM  
\*コンタクト部とテール部はニッケルメッキによって  
分断されている金メッキです。  
DIVIDE INTO PARTS THE GOLD PLATING OF THE CONTACT  
AND THE TAIL PART BY THE NICKEL PLATING.

- ③ (全極数/2) = 偶数の場合に適用。  
APPLY FOR (CIRCUIT/2) = EVEN.
4. 嵌合相手: 55560シリーズ, 53794シリーズ  
MATE WITH: 55560 SERIES, 53794 SERIES.
  5. テール平坦度は、0.1以下  
TAIL COPLANARITY TO BE 0.1 MAXIMUM.

8.0	7.0	10.1	54722-0304	54722-0303	30
6.5	5.5	8.6	54722-0244	54722-0243	24
6.0	5.0	8.1	54722-0224	54722-0223	22
5.5	4.5	7.6	54722-0204	54722-0203	20
4.5	3.5	6.6	54722-0164	54722-0163	16
C	B	A	EMBSTP PKG. ORDER No. オーダー番号	MATERIAL No.	極数 CIRCUIT

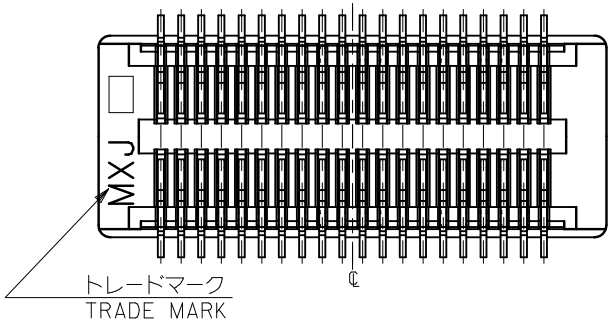
MODEL No. 54722-\*\*\*3

REVISED EC NO: J2010-1489 DRWN: TOSHIMA CHKD: SMARUYAMA APPR: MSASAO	DESCRIPTION REV	GENERAL TOLERANCES (UNLESS SPECIFIED)		DIMENSION STYLE MM ONLY		SCALE ---	DESIGN UNITS METRIC	THIRD ANGLE PROJECTION		
		10 UNDER	±0.2	DRAWN BY T. ITO	DATE '03/08/20	TITLE 0.5 B-T-O-B CONN REC ASSY [NI BARRIER] (HGT=15) -LEAD FREE-				
		10 OVER 30 UNDER	±0.25	CHECKED BY T. YAMAGUCHI	DATE '03/08/20	MOLEX INCORPORATED				
		30 OVER	±0.3	APPROVED BY T. YAMAGUCHI	DATE '03/08/20	DOCUMENT NO. SD-54722-011				
ANGULAR ±3 °		DRAFT WHERE APPLICABLE MUST REMAIN WITHIN DIMENSIONS		MATERIAL NO. SEE CHART		SHEET NO. 1 OF 2				



参考基板レイアウト (マウント面)  
P.C. BOARD PATTERN DIMENSION (REFERENCE)  
(MOUNTING AREA)

34極以上品形状  
SHAPE OF 34CIRCUITS OR MORE



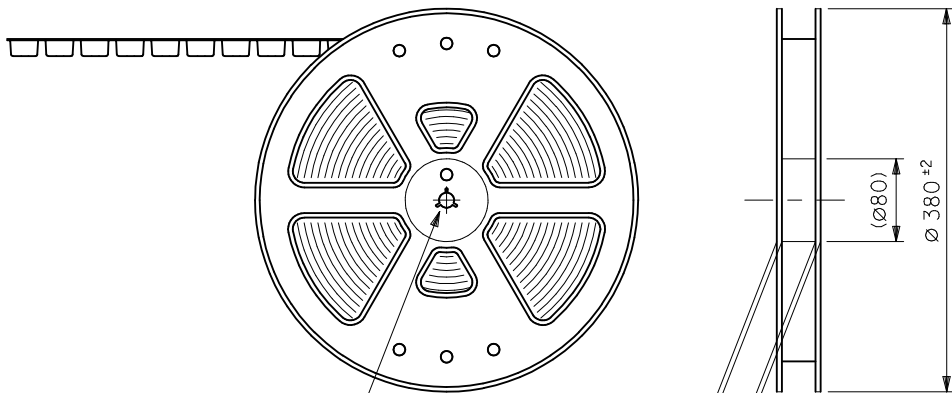
- 注記 NOTES:
- 使用材料 MATERIAL  
 ハウジング: 液晶ポリマー ガラス充填, UL94V-0 (黒)  
 HOUSING: LIQUID CRYSTAL POLYMER (GLASS FILLED)  
 UL94V-0, (COLOR:BLACK)  
 ターミナル: リン青銅 (t=0.15)  
 TERMINAL: PHOSPHOR BRONZE (t=0.15)
  - メッキ仕様 PLATING  
 金メッキ 0.25マイクロメートル以上 (コンタクト部)  
 GOLD 0.25 MICROMETER MINIMUM (CONTACT AREA)  
 金メッキ 0.4マイクロメートル以下 (テール部)  
 GOLD 0.4 MICROMETER MAXIMUM (TAIL AREA)  
 下地メッキ: ニッケルメッキ 1.5マイクロメートル以上  
 UNDER PLATING: NICKEL 1.5 MICROMETER MINIMUM  
 \*コンタクト部とテール部はニッケルメッキによって  
 分断されている金メッキです。  
 DIVIDE INTO PARTS THE GOLD PLATING OF THE CONTACT  
 AND THE TAIL PART BY THE NICKEL PLATING.

- △ (全極数/2) = 偶数の場合に適用。  
 APPLY FOR (CIRCUIT/2)=EVEN.
- 嵌合相手: 55560シリーズ, 53794シリーズ  
 MATE WITH: 55560 SERIES, 53794 SERIES.
  - テール平坦度は、0.1以下  
 TAIL COPLANARITY TO BE 0.1 MAXIMUM.

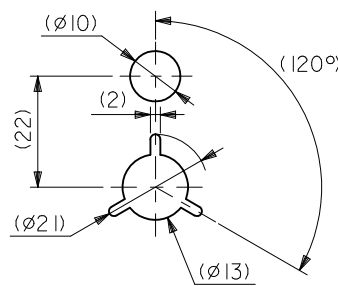
20.5	19.5	22.6	54722-0804	54722-0803	80
15.5	14.5	17.6	54722-0604	54722-0603	60
13.0	12.0	15.1	54722-0504	54722-0503	50
10.5	9.5	12.6	54722-0404	54722-0403	40
9.0	8.0	11.1	54722-0344	54722-0343	34
C	B	A	EMBSTP PKG. ORDER No. オーダー番号	MATERIAL No.	極数 CIRCUIT

REVISED EC NO: J2010-1489 DRWN: TOSHIMA CHKD: SMARUYAMA APPR: MSASAO	2010/02/01 2010/02/02	DESCRIPTION	GENERAL TOLERANCES (UNLESS SPECIFIED)		DIMENSION STYLE MM ONLY		SCALE ---	DESIGN UNITS METRIC		MODEL No. 54722-***3
			10 UNDER	±0.2	DRAWN BY T. ITO	DATE '03/08/20	TITLE 0.5 B-TO-B CONN REC ASSY [NI BARRIER] (HGT=15) -LEAD FREE-		THIRD ANGLE PROJECTION	
			10 OVER 30 UNDER	±0.25	CHECKED BY T. YAMAGUCHI	DATE '03/08/20	MATERIAL NO.			SHEET NO. 2 OF 2
			30 OVER	±0.3	APPROVED BY T. YAMAGUCHI	DATE '03/08/20	DOCUMENT NO. SD-54722-011			
ANGULAR ±3 °			DRAFT WHERE APPLICABLE MUST REMAIN WITHIN DIMENSIONS		SIZE A3		THIS DRAWING CONTAINS INFORMATION THAT IS PROPRIETARY TO MOLEX INCORPORATED AND SHOULD NOT BE USED WITHOUT WRITTEN PERMISSION			

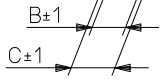
引き出し方向  
PULL OUT  
DIRECTION



'F'

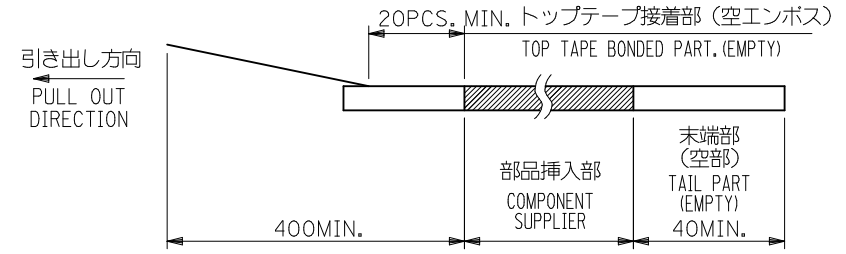


DETAIL 'F'

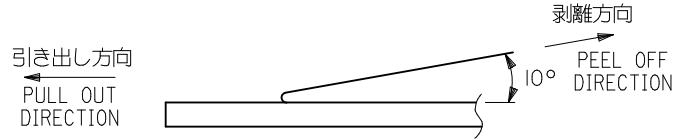


注記 NOTES

- 製品詳細寸法については図面 SD-54722-011 を参照下さい。  
RE DETAILED DIMENSION, SEE SD-54722-011
- 梱包数量：3000個/リール  
NUMBER OF CONNECTORS：3000PCS/REEL
- リードテープ長さ LEAD TAPE LENGTH



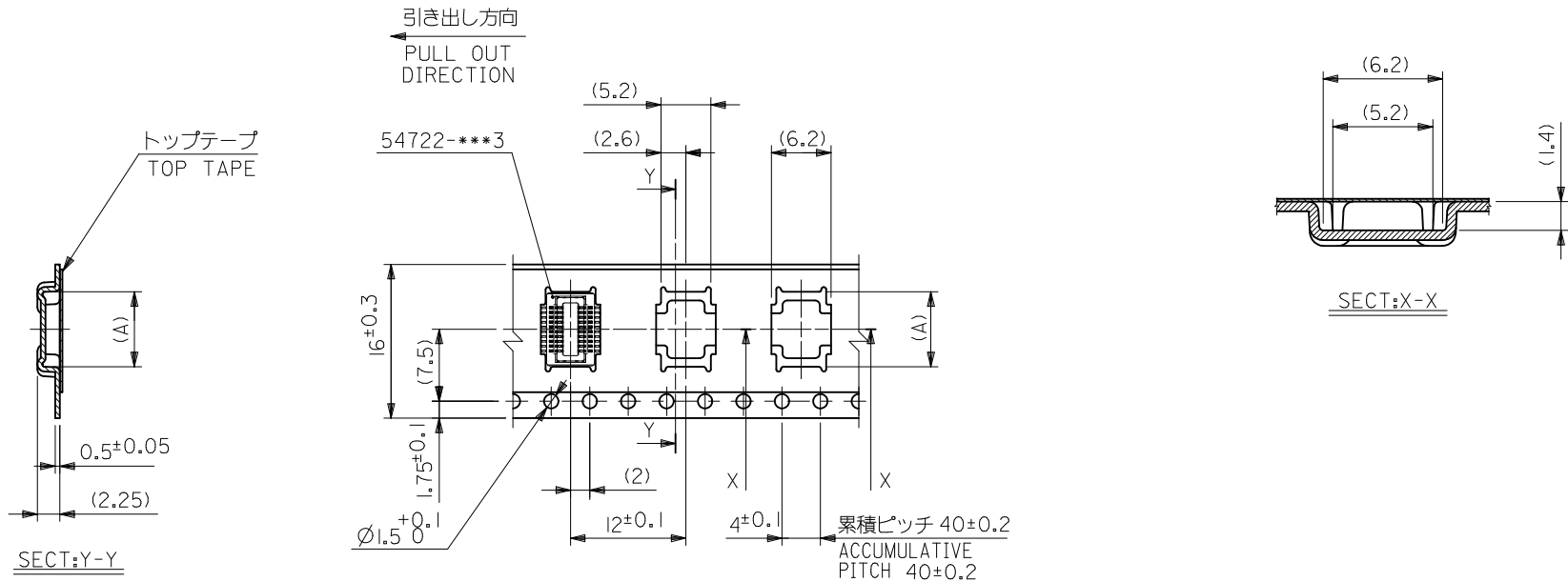
- トップテープの剥離強度：0.1 ~ 1.3N (10 ~ 130gf)  
(剥離方向は下図参照)  
尚、本規格値は出荷時に適用。(但し、輸送時に剥離が発生しないこと。)  
PEELING OFF FORCE OF TOP TAPE：0.1 ~ 1.3N (10 ~ 130gf)  
(PEELING DIRECTION AS SHOWN IN FOLLOWING FIG.)  
THIS REQUIREMENT SHOULD BE APPLIED AT SHIPMENT.  
PEEL OFF SHOULD NOT BE ALLOWED, DURING TRANSPORTATION.



- 材料 (MATERIAL)  
キャリアテープ (CARRIER TAPE)：ポリプロピレン (POLYPROPYLENE)  
トップテープ (TOPTAPE)：PET, PE, PEF  
リール (REEL)：ポリスチレン (PS) <リサイクル材を含む>  
POLYSTYRENE(PS) <RECYCLE MATERIAL CONTAINED>

MODEL NO. 54722-\*\*\*4

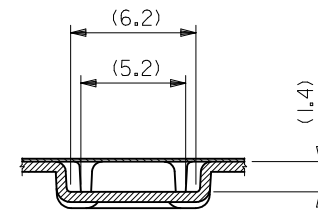
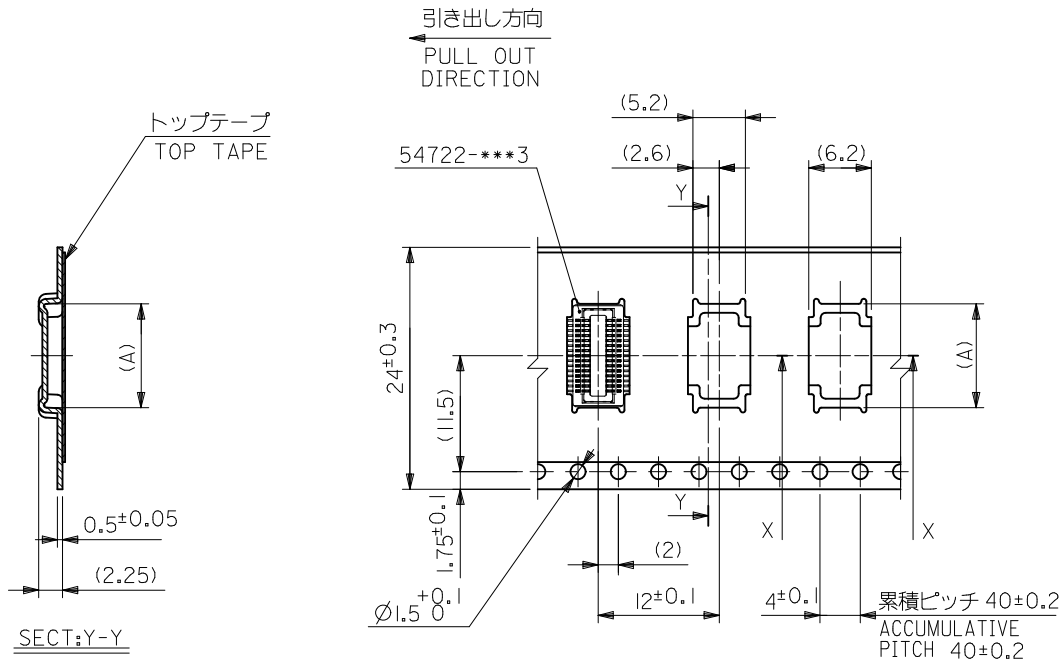
REVISED EC NO: J2010-1489 DRWN: TOSHIMA 2010/02/01 CHKD: SMARUYAMA 2010/02/02 APPR: MSASAO 2010/02/02	DESCRIPTION	GENERAL TOLERANCES (UNLESS SPECIFIED)		DIMENSION STYLE MM ONLY		SCALE ---	DESIGN UNITS METRIC	THIRD ANGLE PROJECTION		
		10 UNDER	±0.2	DRAWN BY T. ITO	DATE '03/08/20	TITLE 0.5 B-TO-B CONN REC ASSY [NI BARRIER] EMBSTP PKG -LEAD FREE-				
		10 OVER 30 UNDER	±0.25	CHECKED BY T. YAMAGUCHI	DATE '03/08/20					
		30 OVER	±0.3	APPROVED BY T. YAMAGUCHI	DATE '03/08/20	MOLEX INCORPORATED				
		ANGULAR ±3 °		MATERIAL NO. SEE CHART						
DRAFT WHERE APPLICABLE MUST REMAIN WITHIN DIMENSIONS		THIS DRAWING CONTAINS INFORMATION THAT IS PROPRIETARY TO MOLEX INCORPORATED AND SHOULD NOT BE USED WITHOUT WRITTEN PERMISSION								



16mm幅キャリアテープ  
16mm WIDTH CARRIER TAPE

16	21.4	17.4	6.8	54722-0204	20
				54722-0164	16
キャリアテープ幅 CARRIER TAPE WIDTH	C	B	(A)	MATERIAL NO.	極数 CIRCUIT

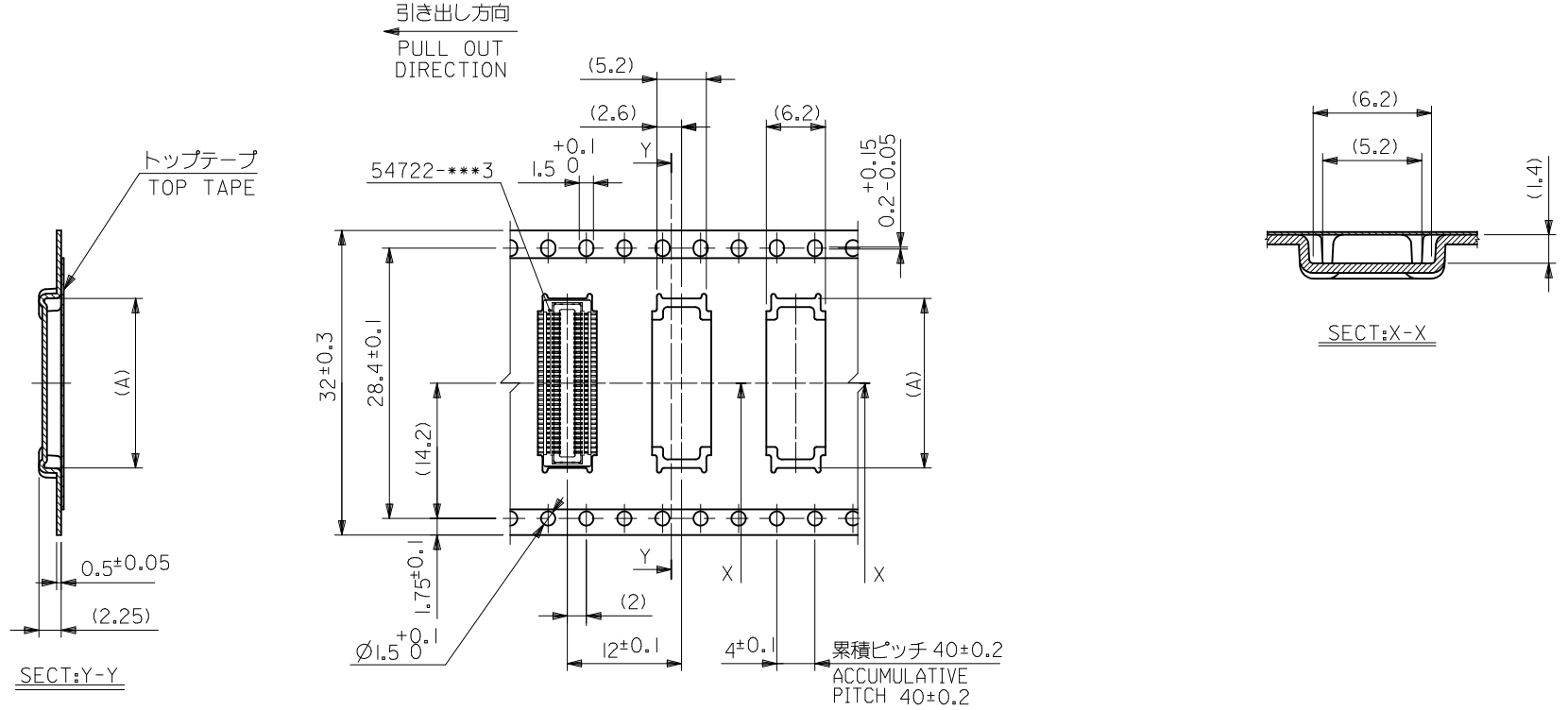
REVISED EC NO: J2010-1489 DRWN: TOSHIMA 2010/02/01 CHKD: SMARUYAMA 2010/02/02 APPR: MSASAO 2010/02/02	GENERAL TOLERANCES (UNLESS SPECIFIED)		DIMENSION STYLE MM ONLY		SCALE ---	MODEL NO. 54722-***4
	10 UNDER	±0.2	DRAWN BY T. ITO	DATE '03/08/20	TITLE 0.5 B-TO-B CONN REC ASSY [NI BARRIER] EMBSTP PKG -LEAD FREE-	
	10 OVER 30 UNDER	±0.25	CHECKED BY T. YAMAGUCHI	DATE '03/08/20	MATERIAL NO. SD-54722-012	
	30 OVER	±0.3	APPROVED BY T. YAMAGUCHI	DATE '03/08/20	SHEET NO. 2 OF 5	
	ANGULAR ±3 °	DRAFT WHERE APPLICABLE MUST REMAIN WITHIN DIMENSIONS		SEE CHART		MOLEX INCORPORATED
		THIS DRAWING CONTAINS INFORMATION THAT IS PROPRIETARY TO MOLEX INCORPORATED AND SHOULD NOT BE USED WITHOUT WRITTEN PERMISSION				



24mm幅キャリアテープ  
24mm WIDTH CARRIER TAPE

24	29.4	25.4	15.3	54722-0504	50
			12.8	54722-0404	40
			11.3	54722-0344	34
			10.3	54722-0304	30
			8.8	54722-0244	24
			8.3	54722-0224	22
キャリアテープ幅 CARRIER TAPE WIDTH	C	B	(A)	MATERIAL NO.	極数 CIRCUIT

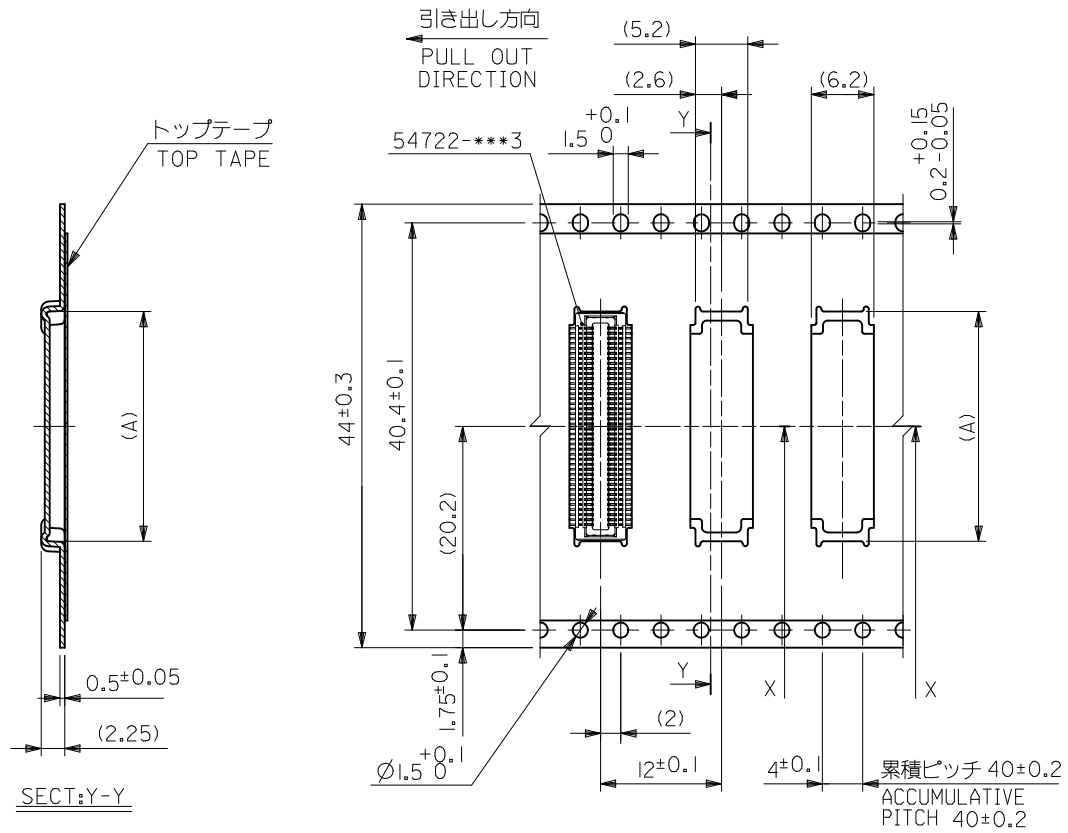
REVISED EC NO: J2010-1489 DRWN: TOSHIMA 2010/02/01 CHKD: SMARUYAMA 2010/02/02 APPR: MSASAO 2010/02/02	GENERAL TOLERANCES (UNLESS SPECIFIED)		DIMENSION STYLE MM ONLY		SCALE ---	MODEL NO. 54722-***4
	10 UNDER	±0.2	DRAWN BY T. ITO	DATE '03/08/20	TITLE 0.5 B-TO-B CONN REC ASSY [NI BARRIER] EMBSTP PKG -LEAD FREE-	THIRD ANGLE PROJECTION
	10 OVER 30 UNDER	±0.25	CHECKED BY T. YAMAGUCHI	DATE '03/08/20	MATERIAL NO. SEE CHART	DOCUMENT NO. SD-54722-012
	30 OVER	±0.3	APPROVED BY T. YAMAGUCHI	DATE '03/08/20	SHEET NO. 3 OF 5	
	ANGULAR ±3 °	DRAFT WHERE APPLICABLE MUST REMAIN WITHIN DIMENSIONS		MOLEX INCORPORATED THIS DRAWING CONTAINS INFORMATION THAT IS PROPRIETARY TO MOLEX INCORPORATED AND SHOULD NOT BE USED WITHOUT WRITTEN PERMISSION		



32mm幅キャリアテープ  
32mm WIDTH CARRIER TAPE

32	37.4	33.4	17.8	54722-0604	60
キャリアテープ幅 CARRIER TAPE WIDTH	C	B	(A)	MATERIAL NO.	極数 CIRCUIT

REVISED EC NO.: J2010-1489 DRWN: TOSHIMA 2010/02/01 CHKD: SMARUYAMA 2010/02/02 APPR: MSASAO 2010/02/02	GENERAL TOLERANCES (UNLESS SPECIFIED)		DIMENSION STYLE MM ONLY		SCALE ---	MODEL NO. 54722-***4
	10 UNDER	±0.2	DRAWN BY T. ITO	DATE '03/08/20	TITLE 0.5 B-TO-B CONN REC ASSY [NI BARRIER] EMBSTP PKG -LEAD FREE- MOLEX INCORPORATED	
	10 OVER 30 UNDER	±0.25	CHECKED BY T. YAMAGUCHI	DATE '03/08/20		
	30 OVER	±0.3	APPROVED BY T. YAMAGUCHI	DATE '03/08/20		
ANGULAR	±3 °	MATERIAL NO. SEE CHART		DOCUMENT NO. SD-54722-012	SHEET NO. 4 OF 5	
DRAFT WHERE APPLICABLE MUST REMAIN WITHIN DIMENSIONS		THIS DRAWING CONTAINS INFORMATION THAT IS PROPRIETARY TO MOLEX INCORPORATED AND SHOULD NOT BE USED WITHOUT WRITTEN PERMISSION				



44mm幅キャリアテープ  
44mm WIDTH CARRIER TAPE

44	49.4	45.4	22.8	54722-0804	80
キャリアテープ幅 CARRIER TAPE WIDTH	C	B	(A)	MATERIAL NO.	極数 CIRCUIT

REVISED EC NO: J2010-1489 DRWN: TOSHIMA 2010/02/01 CHKD: SMARUYAMA 2010/02/02 APPR: MSASAO 2010/02/02 REV C	GENERAL TOLERANCES (UNLESS SPECIFIED)		DIMENSION STYLE MM ONLY		SCALE ---	MODEL NO. 54722-***4
	10 UNDER	±0.2	DRAWN BY T. IYO	DATE '03/08/20	TITLE 0.5 B-TO-B CONN REC ASSY [NI BARRIER] EMBSTP PKG -LEAD FREE-	
	10 OVER 30 UNDER	±0.25	CHECKED BY T. YAMAGUCHI	DATE '03/08/20	MOLEX INCORPORATED	
	30 OVER	±0.3	APPROVED BY T. YAMAGUCHI	DATE '03/08/20	MATERIAL NO. SEE CHART	DOCUMENT NO. SD-54722-012
ANGULAR ±3 °		DRAFT WHERE APPLICABLE MUST REMAIN WITHIN DIMENSIONS		SHEET NO. 5 OF 5		
THIS DRAWING CONTAINS INFORMATION THAT IS PROPRIETARY TO MOLEX INCORPORATED AND SHOULD NOT BE USED WITHOUT WRITTEN PERMISSION						