



**CYDM256A16, CYDM128A16,
CYDM064A16, CYDM128A08,
CYDM064A08**

1.8V 4K/8K/16K x 16 and 8K/16K x 8 MoBL[®] Dual-Port Static RAM

Features

- True dual-ported memory cells which allow simultaneous access of the same memory location
- 4/8/16K x 16 and 8/16K x 8 organization
- High-speed access: 35 ns
- Ultra Low operating power
 - Active: $I_{CC} = 15$ mA (typical) at 55 ns
 - Active: $I_{CC} = 25$ mA (typical) at 35 ns
 - Standby: $I_{SB3} = 2$ μ A (typical)
- Small footprint: Available in a 6x6 mm 100-pin Lead(Pb)-free fBGA
- Supports 1.8V, 2.5V, and 3.0V I/Os
- Full asynchronous operation
- Automatic power-down
- Pin select for Master or Slave
- Expandable data bus to 32 bits with Master/Slave chip select when using more than one device
- On-chip arbitration logic
- Semaphores included to permit software handshaking between ports
- Input Read Registers and Output Drive Registers
- INT flag for port-to-port communication
- Separate upper-byte and lower-byte control
- Industrial temperature ranges

Selection Guide for 1.8V

	CYDM256A16, CYDM128A16, CYDM064A16, CYDM128A08, CYDM064A08 -35	CYDM256A16, CYDM128A16, CYDM064A16, CYDM128A08, CYDM064A08 -55	Unit
Maximum Access Time	35	55	ns
Typical Operating Current	25	15	mA
Typical Standby Current for I_{SB1}	2	2	μ A
Typical Standby Current for I_{SB3}	2	2	μ A

Selection Guide for 2.5V

	CYDM256A16, CYDM128A16, CYDM064A16, CYDM128A08, CYDM064A08 -35	CYDM256A16, CYDM128A16, CYDM064A16, CYDM128A08, CYDM064A08 -55	Unit
Maximum Access Time	35	55	ns
Typical Operating Current	39	28	mA
Typical Standby Current for I_{SB1}	6	6	μ A
Typical Standby Current for I_{SB3}	4	4	μ A

Selection Guide for 3.0V

	CYDM256A16, CYDM128A16, CYDM064A16, CYDM128A08, CYDM064A08 -35	CYDM256A16, CYDM128A16, CYDM064A16, CYDM128A08, CYDM064A08 -55	Unit
Maximum Access Time	35	55	ns
Typical Operating Current	49	42	mA
Typical Standby Current for I_{SB1}	7	7	μ A
Typical Standby Current for I_{SB3}	6	6	μ A

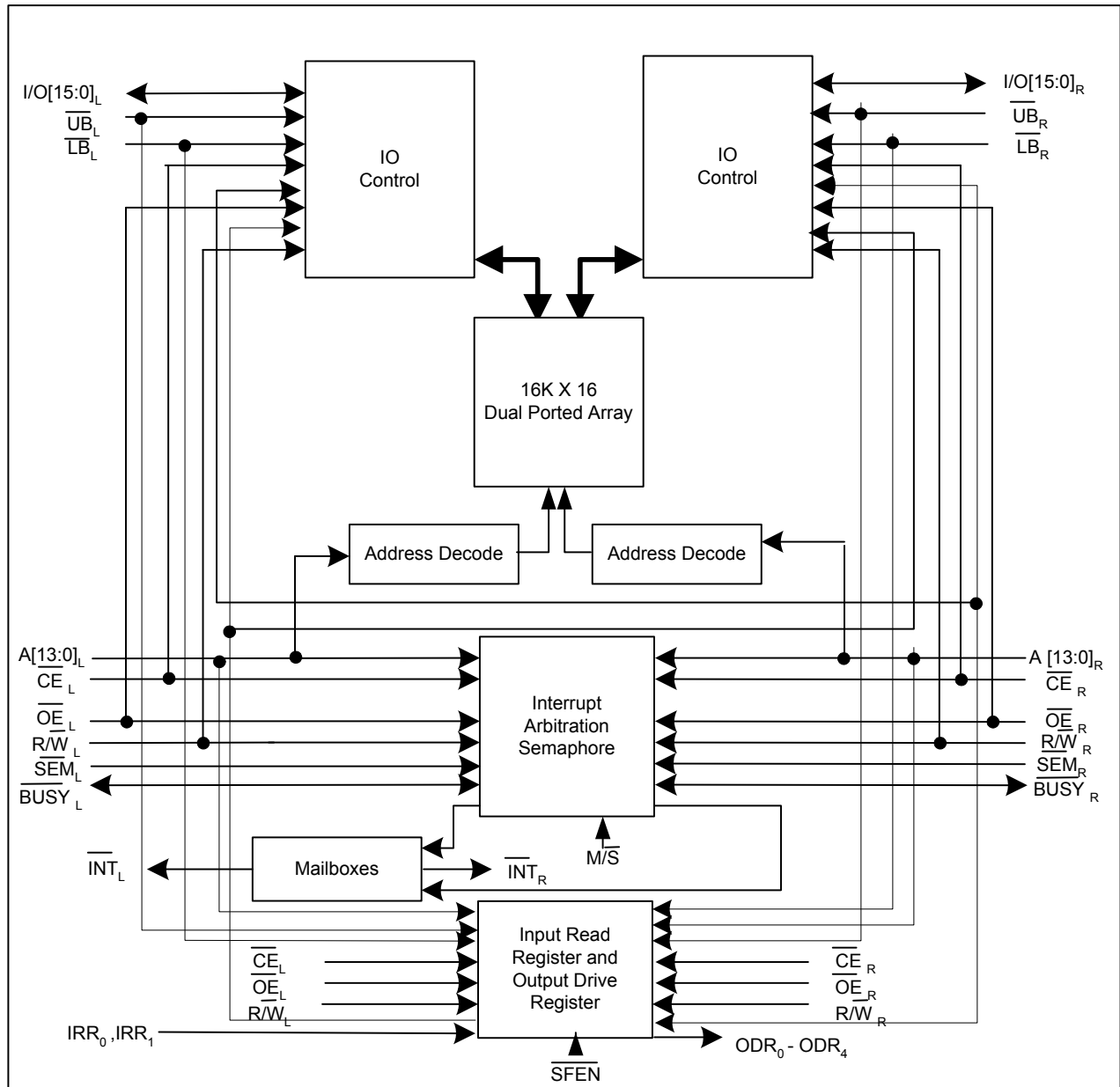


Figure 1. Top Level Block Diagram^[1,2]

Notes:

1. A₀-A₁₁ for 4K devices; A₀-A₁₂ for 8K devices; A₀-A₁₃ for 16K devices.
2. BUSY is an output in master mode and an input in slave mode.

Pin Configurations [3, 4, 5, 6, 7, 8]

**100-Ball 0.5-mm Pitch BGA
Top View
CYDM064A16/CYDM128A16/CYDM256A16**

	1	2	3	4	5	6	7	8	9	10	
A	A _{5R}	A _{6R}	A _{11R}	\overline{UB}_R	V _{SS}	\overline{SEM}_R	I/O _{15R}	I/O _{12R}	I/O _{10R}	V _{SS}	A
B	A _{3R}	A _{4R}	A _{7R}	A _{9R}	\overline{CE}_R	R/ \overline{W}_R	\overline{OE}_R	V _{CC}	I/O _{9R}	I/O _{6R}	B
C	A _{0R}	A _{1R}	A _{2R}	A _{6R}	\overline{LB}_R	IRR1 ^[6]	I/O _{14R}	I/O _{11R}	I/O _{7R}	V _{SS}	C
D	ODR4	ODR2	\overline{BUSY}_R	\overline{INT}_R	A _{10R}	A _{12R} ^[3]	I/O _{13R}	I/O _{8R}	I/O _{5R}	I/O _{2R}	D
E	V _{SS}	M/ \overline{S}	ODR3	\overline{INT}_L	V _{SS}	V _{SS}	I/O _{4R}	V _{CC}	I/O _{1R}	V _{SS}	E
F	\overline{SFEN} ^[8]	ODR1	\overline{BUSY}_L	A _{1L}	V _{CC}	V _{SS}	I/O _{3R}	I/O _{0R}	I/O _{15L}	V _{CC}	F
G	ODR0	A _{2L}	A _{5L}	A _{12L} ^[3]	\overline{OE}_L	I/O _{3L}	I/O _{11L}	I/O _{12L}	I/O _{14L}	I/O _{13L}	G
H	A _{0L}	A _{4L}	A _{9L}	\overline{LB}_L	\overline{CE}_L	I/O _{1L}	V _{CC}	NC ^[7]	NC ^[7]	I/O _{10L}	H
J	A _{3L}	A _{7L}	A _{10L}	IRR0 ^[5]	V _{CC}	V _{SS}	I/O _{4L}	I/O _{6L}	I/O _{8L}	I/O _{9L}	J
K	A _{6L}	A _{8L}	A _{11L}	\overline{UB}_L	\overline{SEM}_L	R/ \overline{W}_L	I/O _{0L}	I/O _{2L}	I/O _{5L}	I/O _{7L}	K
	1	2	3	4	5	6	7	8	9	10	

Notes:

3. A12L and A12R are NC pins for CYDM064A16.
4. IRR functionality is not supported for the CYDM256A16 device.
5. This pin is A13L for CYDM256A16 device.
6. This pin is A13R for CYDM256A16 device.
7. Leave this pin unconnected. No trace or power component can be connected to this pin.
8. IRR functionality not supported for the CYDM256A16 device. Connect this pin to V_{CC}.

Pin Configurations (continued)^[7, 9, 10, 11, 12, 13]

**100-Ball 0.5-mm Pitch BGA
Top View
CYDM064A08/CYDM128A08**

	1	2	3	4	5	6	7	8	9	10	
A	A _{5R}	A _{8R}	A _{11R}	V _{CC}	V _{SS}	$\overline{\text{SEM}}_R$	V _{SS}	V _{SS}	V _{SS}	V _{SS}	A
B	A _{9R}	A _{4R}	A _{7R}	A _{9R}	$\overline{\text{CE}}_R$	R $\overline{\text{W}}_R$	$\overline{\text{OE}}_R$	V _{CC}	V _{SS}	I/O _{6R}	B
C	A _{0R}	A _{1R}	A _{2R}	A _{6R}	V _{SS}	IRR1 ^[11]	V _{SS}	V _{SS}	I/O _{7R}	V _{SS}	C
D	ODR4	ODR2	$\overline{\text{BUSY}}_R$	$\overline{\text{INT}}_R$	A _{10R}	A _{12R}	V _{SS}	V _{SS}	I/O _{5R}	I/O _{2R}	D
E	V _{SS}	M/ $\overline{\text{S}}$	ODR3	$\overline{\text{INT}}_L$	V _{SS}	V _{SS}	I/O _{4R}	V _{CC}	I/O _{1R}	V _{SS}	E
F	$\overline{\text{SFEN}}^{[13]}$	ODR1	$\overline{\text{BUSY}}_L$	A _{1L}	V _{CC}	V _{SS}	I/O _{3R}	I/O _{0R}	V _{SS}	V _{CC}	F
G	ODR0	A _{2L}	A _{5L}	A _{12L}	$\overline{\text{OE}}_L$	I/O _{3L}	V _{SS}	V _{SS}	V _{SS}	V _{SS}	G
H	A _{0L}	A _{4L}	A _{9L}	V _{SS}	$\overline{\text{CE}}_L$	I/O _{1L}	V _{CC}	NC ^[12]	NC ^[12]	V _{SS}	H
J	A _{9L}	A _{7L}	A _{10L}	IRR0 _[10]	V _{CC}	V _{SS}	I/O _{4L}	I/O _{6L}	V _{SS}	V _{SS}	J
K	A _{6L}	A _{8L}	A _{11L}	V _{CC}	$\overline{\text{SEM}}_L$	R $\overline{\text{W}}_L$	I/O _{0L}	I/O _{2L}	I/O _{5L}	I/O _{7L}	K
	1	2	3	4	5	6	7	8	9	10	

Notes:

- 9. IRR functionality is not supported for the CYDM128A08 device.
- 10. This pin is A13L for CYDM128A08 devices.
- 11. This pin is A13R for CYDM128A08 devices.
- 12. Leave this pin unconnected. No trace or power component can be connected to this pin.
- 13. IRR functionality is not supported for the CYDM128A08. Connect this pin to V_{DD}.

Pin Definitions

Left Port	Right Port	Description
\overline{CE}_L	\overline{CE}_R	Chip Enable
R/\overline{W}_L	R/\overline{W}_R	Read/Write Enable
\overline{OE}_L	\overline{OE}_R	Output Enable
$A_{0L}-A_{13L}$	$A_{0R}-A_{13R}$	Address (A_0-A_{11} for 4K devices; A_0-A_{12} for 8K devices; A_0-A_{13} for 16K devices).
$I/O_{0L}-I/O_{15L}$	$I/O_{0R}-I/O_{15R}$	Data Bus Input/Output for x16 devices; $I/O_0-I/O_7$ for x8 devices.
\overline{SEM}_L	\overline{SEM}_R	Semaphore Enable
\overline{UB}_L	\overline{UB}_R	Upper Byte Select ($I/O_8-I/O_{15}$ for x16 devices; Not applicable for x8 devices).
\overline{LB}_L	\overline{LB}_R	Lower Byte Select ($I/O_0-I/O_7$ for x16 devices; Not applicable for x8 devices).
\overline{INT}_L	\overline{INT}_R	Interrupt Flag
\overline{BUSY}_L	\overline{BUSY}_R	Busy Flag
IRR0, IRR1		Input Read Register for CYDM064A16, CYDM064A08, CYDM128A16. A13L, A13R for CYDM256A16 and CYDM128A08 devices.
ODR0-ODR4		Output Drive Register; These outputs are Open Drain.
\overline{SFEN}		Special Function Enable
$\overline{M/S}$		Master or Slave Select
V_{CC}		Power
GND		Ground
NC		No Connect. Leave this pin Unconnected.

Functional Description

The CYDM256A16, CYDM128A16, CYDM064A16, CYDM128A08, CYDM064A08 are low-power CMOS 4K, 8K, 16K x 16, and 8/16K x 8 dual-port static RAMs. Arbitration schemes are included on the devices to handle situations when multiple processors access the same piece of data. Two ports are provided, permitting independent, asynchronous access for reads and writes to any location in memory. The devices can be utilized as standalone 16-bit dual-port static RAMs or multiple devices can be combined in order to function as a 32-bit or wider master/slave dual-port static RAM. An M/S pin is provided for implementing 32-bit or wider memory applications without the need for separate master and slave devices or additional discrete logic. Application areas include interprocessor/multiprocessor designs, communications status buffering, and dual-port video/graphics memory.

Each port has independent control pins: Chip Enable (\overline{CE}), Read or Write Enable (R/W), and Output Enable (\overline{OE}). Two flags are provided on each port (BUSY and INT). BUSY signals that the port is trying to access the same location currently being accessed by the other port. The Interrupt flag (INT) permits communication between ports or systems by means of a mail box. The semaphores are used to pass a flag, or token, from one port to the other to indicate that a shared resource is in use. The semaphore logic is comprised of eight shared latches. Only one side can control the latch (semaphore) at any time. Control of a semaphore indicates that a shared resource is in use. An automatic power-down feature is controlled independently on each port by a Chip Enable (CE) pin.

The CYDM256A16, CYDM128A16, CYDM064A16, CYDM128A08, CYDM064A08 are available in 100-ball 0.5-mm Pitch Ball Grid Array (BGA) packages.

Power Supply

The core and I/O voltages will be 1.8V/2.5V LVCMOS/3.0V LVTTTL depending on the user's supply voltage. The supply voltage controls both the Core and I/O voltages.

Write Operation

Data must be set up for a duration of t_{SD} before the rising edge of R/W in order to guarantee a valid write. A write operation is controlled by either the R/W pin (see Write Cycle No. 1 waveform) or the CE pin (see Write Cycle No. 2 waveform). Required inputs for non-contention operations are summarized in Table 1.

If a location is being written to by one port and the opposite port attempts to read that location, a port-to-port flowthrough delay must occur before the data is read on the output; otherwise the data read is not deterministic. Data will be valid on the port t_{DD} after the data is presented on the other port.

Read Operation

When reading the device, the user must assert both the \overline{OE} and CE pins. Data will be available t_{ACE} after CE or t_{DOE} after OE is asserted. If the user wishes to access a semaphore flag, then the SEM pin must be asserted instead of the CE pin, and OE must also be asserted.

Interrupts

The upper two memory locations may be used for message passing. The highest memory location (FFF for the CYDM064A16, 1FFF for the CYDM128A16 and CYDM064A08,

3FFF for the CYDM256A16 and CYDM128A08) is the mailbox for the right port and the second-highest memory location (FFE for the CYDM064A16, 1FFE for the CYDM128A16 and CYDM064A08, 3FFE for the CYDM256A16 and CYDM128A08) is the mailbox for the left port. When one port writes to the other port's mailbox, an interrupt is generated to the owner. The interrupt is reset when the owner reads the contents of the mailbox. The message is user-defined.

Each port can read the other port's mailbox without resetting the interrupt. The active state of the busy signal (to a port) prevents the port from setting the interrupt to the winning port. Also, an active busy to a port prevents that port from reading its own mailbox and, thus, resetting the interrupt to it.

If an application does not require message passing, do not connect the interrupt pin to the processor's interrupt request input pin. On power up, an initialization program should be run and the interrupts for both ports must be read to reset them.

The operation of the interrupts and their interaction with Busy are summarized in *Table 2*.

Busy

The CYDM256A16, CYDM128A16, CYDM064A16, CYDM128A08, CYDM064A08 provide on-chip arbitration to resolve simultaneous memory location access (contention). If both ports' CEs are asserted and an address match occurs within t_{PS} of each other, the busy logic will determine which port has access. If t_{PS} is violated, one port will definitely gain permission to the location, but it is not predictable which port will get that permission. **BUSY** will be asserted t_{BLA} after an address match or t_{BLC} after CE is taken LOW.

Master/Slave

A $\overline{M/S}$ pin is provided in order to expand the word width by configuring the device as either a master or a slave. The **BUSY** output of the master is connected to the **BUSY** input of the slave. This will allow the device to interface to a master device with no external components. Writing to slave devices must be delayed until after the **BUSY** input has settled (t_{BLC} or t_{BLA}), otherwise, the slave chip may begin a write cycle during a contention situation. When tied HIGH, the $\overline{M/S}$ pin allows the device to be used as a master and, therefore, the **BUSY** line is an output. **BUSY** can then be used to send the arbitration outcome to a slave.

Input Read Register

The Input Read Register (IRR) captures the status of two external input devices that are connected to the Input Read pins.

The contents of the IRR read from address x0000 from either port. During reads from the IRR, DQ0 and DQ1 are valid bits and DQ<15:2> are don't care. Writes to address x0000 are not allowed from either port.

Address x0000 is not available for standard memory accesses when $SFEN = V_{IL}$. When $SFEN = V_{IH}$, address x0000 is available for memory accesses.

The inputs will be 1.8V/2.5V LVCMOS/3.0V LVTTTL depending on the user's supply voltage. Refer to *Table 3* for Input Read Register operation.

Output Drive Register

The Output Drive Register (ODR) determines the state of up to five external binary state devices by providing a path to V_{SS} for the external circuit. These outputs are Open Drain.

The five external devices can operate at different voltages ($1.5V \leq V_{DDIO} \leq 3.5V$) but the combined current cannot exceed 40 mA (8 mA max for each external device). The status of the ODR bits are set using standard write accesses from either port to address x0001 with a "1" corresponding to on and "0" corresponding to off.

The status of the ODR bits can be read with a standard read access to address x0001. When $SFEN = V_{IL}$, the ODR is active and address x0001 is not available for memory accesses. When $SFEN = V_{IH}$, the ODR is inactive and address x0001 can be used for standard accesses.

During reads and writes to ODR DQ<4:0> are valid and DQ<15:5> are don't care. Refer to *Table 4* for Output Drive Register operation.

Semaphore Operation

The CYDM256A16, CYDM128A16, CYDM064A16, CYDM128A08, CYDM064A08 provide eight semaphore latches, which are separate from the dual-port memory locations. Semaphores are used to reserve resources that are shared between the two ports. The state of the semaphore indicates that a resource is in use. For example, if the left port wants to request a given resource, it sets a latch by writing a zero to a semaphore location. The left port then verifies its success in setting the latch by reading it. After writing to the semaphore, \overline{SEM} or \overline{OE} must be deasserted for t_{SOP} before attempting to read the semaphore. The semaphore value will be available $t_{SWRD} + t_{DOE}$ after the rising edge of the semaphore write. If the left port was successful (reads a zero), it assumes control of the shared resource, otherwise (reads a one) it assumes the right port has control and continues to poll the semaphore. When the right side has relinquished control of the semaphore (by writing a one), the left side will succeed in gaining control of the semaphore. If the left side no longer requires the semaphore, a one is written to cancel its request.

Semaphores are accessed by asserting \overline{SEM} LOW. The \overline{SEM} pin functions as a chip select for the semaphore latches (CE must remain HIGH during \overline{SEM} LOW). A_{0-2} represents the semaphore address. \overline{OE} and R/W are used in the same manner as a normal memory access. When writing or reading a semaphore, the other address pins have no effect.

When writing to the semaphore, only I/O₀ is used. If a zero is written to the left port of an available semaphore, a one will appear at the same semaphore address on the right port. That semaphore can now only be modified by the side showing zero (the left port in this case). If the left port now relinquishes control by writing a one to the semaphore, the semaphore will be set to one for both sides. However, if the right port had requested the semaphore (written a zero) while the left port had control, the right port would immediately own the semaphore as soon as the left port released it. *Table 5* shows sample semaphore operations.

When reading a semaphore, all sixteen/eight data lines output the semaphore value. The read value is latched in an output register to prevent the semaphore from changing state during a write from the other port. If both ports attempt to access the semaphore within t_{SPS} of each other, the semaphore will definitely be obtained by one side or the other, but there is no

guarantee which side will control the semaphore. On power-up, both ports should write "1" to all eight semaphores.

Architecture

The CYDM256A16, CYDM128A16, CYDM064A16, CYDM128A08, CYDM064A08 consist of an array of 4K, 8K, or 16K words of 16 dual-port RAM cells, I/O and address lines, and control signals (\overline{CE} , \overline{OE} , R/W). The CYDM064A08 and CYDM128A08 consist of an array of 8K and 16K words of 8 each of dual-port RAM cells, I/O and address lines, and control signals (\overline{CE} , \overline{OE} , R/W). These control pins permit independent

access for reads or writes to any location in memory. To handle simultaneous writes/reads to the same location, a BUSY pin is provided on each port. Two Interrupt (INT) pins can be utilized for port-to-port communication. Two Semaphore (SEM) control pins are used for allocating shared resources. With the M/S pin, the devices can function as a master (BUSY pins are outputs) or as a slave (BUSY pins are inputs). The devices also have an automatic power-down feature controlled by \overline{CE} . Each port is provided with its own output enable control (\overline{OE}), which allows data to be read from the device.

Table 1. Non-Contending Read/Write

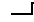

Inputs						Outputs		Operation
CE	R/W	OE	UB	LB	SEM	I/O ₈ -I/O ₁₅ ^[14]	I/O ₀ -I/O ₇	
H	X	X	X	X	H	High Z	High Z	Deselected: Power-down
X	X	X	H	H	H	High Z	High Z	Deselected: Power-down
L	L	X	L	H	H	Data In	High Z	Write to Upper Byte Only
L	L	X	H	L	H	High Z	Data In	Write to Lower Byte Only
L	L	X	L	L	H	Data In	Data In	Write to Both Bytes
L	H	L	L	H	H	Data Out	High Z	Read Upper Byte Only
L	H	L	H	L	H	High Z	Data Out	Read Lower Byte Only
L	H	L	L	L	H	Data Out	Data Out	Read Both Bytes
X	X	H	X	X	X	High Z	High Z	Outputs Disabled
H	H	L	X	X	L	Data Out	Data Out	Read Data in Semaphore Flag
X	H	L	H	H	L	Data Out	Data Out	Read Data in Semaphore Flag
H		X	X	X	L	Data In	Data In	Write D _{IN0} into Semaphore Flag
X		X	H	H	L	Data In	Data In	Write D _{IN0} into Semaphore Flag
L	X	X	L	X	L			Not Allowed
L	X	X	X	L	L			Not Allowed

Table 2. Interrupt Operation Example (Assumes $\overline{BUSY}_L = \overline{BUSY}_R = \text{HIGH}$)^[15]

Function	Left Port					Right Port				
	R/W _L	\overline{CE}_L	\overline{OE}_L	A _{0L-13L}	INT _L	R/W _R	\overline{CE}_R	\overline{OE}_R	A _{0R-13R}	INT _R
Set Right \overline{INT}_R Flag	L	L	X	3FFF ^[18]	X	X	X	X	X	L ^[17]
Reset Right \overline{INT}_R Flag	X	X	X	X	X	X	L	L	3FFF ^[18]	H ^[16]
Set Left \overline{INT}_L Flag	X	X	X	X	L ^[16]	L	L	X	3FFE ^[18]	X
Reset Left \overline{INT}_L Flag	X	L	L	3FFE ^[18]	H ^[17]	X	X	X	X	X

Table 3. Input Read Register Operation^[19, 22]

SFEN	\overline{CE}	R/W	\overline{OE}	\overline{UB}	\overline{LB}	ADDR	I/O ₀ -I/O ₁	I/O ₂ -I/O ₁₅	Mode
H	L	H	L	L	L	x0000-Max	VALID ^[20]	VALID ^[20]	Standard Memory Access
L	L	H	L	X	L	x0000	VALID ^[21]	X	IRR Read

Notes:

14. This column applies to x16 devices only.
15. See Interrupts Functional Description for specific highest memory locations by device.
16. If $\overline{BUSY}_R = L$, then no change.
17. If $\overline{BUSY}_L = L$, then no change.
18. See Functional Description for specific addresses by device.
19. SFEN = VIL for IRR reads
20. \overline{UB} or $\overline{LB} = V_{IL}$. If $\overline{LB} = V_{IL}$, then DQ<7:0> are valid. If $\overline{UB} = V_{IL}$ then DQ<15:8> are valid.
21. \overline{LB} must be active ($\overline{LB} = V_{IL}$) for these bits to be valid.
22. SFEN active when either $\overline{CE}_L = V_{IL}$ or $\overline{CE}_R = V_{IL}$. It is inactive when $\overline{CE}_L = \overline{CE}_R = V_{IH}$.

Table 4. Output Drive Register ^[25]

SFEN	CE	R/W	OE	UB	LB	ADDR	I/O ₀ -I/O ₄	I/O ₅ -I/O ₁₅	Mode
H	L	H	X ^[26]	L ^[23]	L ^[23]	x0000-Max	VALID ^[23]	VALID ^[23]	Standard Memory Access
L	L	L	X	X	L	x0001	VALID ^[24]	X	ODR Write ^[25, 27]
L	L	H	L	X	L	x0001	VALID ^[24]	X	ODR Read ^[25]

Table 5. Semaphore Operation Example

Function	I/O ₀ -I/O ₁₅ Left	I/O ₀ -I/O ₁₅ Right	Status
No action	1	1	Semaphore-free
Left port writes 0 to semaphore	0	1	Left Port has semaphore token
Right port writes 0 to semaphore	0	1	No change. Right side has no write access to semaphore
Left port writes 1 to semaphore	1	0	Right port obtains semaphore token
Left port writes 0 to semaphore	1	0	No change. Left port has no write access to semaphore
Right port writes 1 to semaphore	0	1	Left port obtains semaphore token
Left port writes 1 to semaphore	1	1	Semaphore-free
Right port writes 0 to semaphore	1	0	Right port has semaphore token
Right port writes 1 to semaphore	1	1	Semaphore free
Left port writes 0 to semaphore	0	1	Left port has semaphore token
Left port writes 1 to semaphore	1	1	Semaphore-free

Notes:

23. UB or LB = V_{IL}. If LB = V_{IL}, then DQ<7:0> are valid. If UB = V_{IL} then DQ<15:8> are valid.

24. LB must be active (LB = V_{IL}) for these bits to be valid.

25. SFEN = V_{IL} for ODR reads and writes.

26. Output enable must be low (OE = V_{IL}) during reads for valid data to be output.

27. During ODR writes data will also be written to the memory



Maximum Ratings^[28]

(Above which the useful life may be impaired. For user guidelines, not tested.)

Storage Temperature -65°C to +150°C
 Ambient Temperature with Power Applied..... -55°C to +125°C
 Supply Voltage to Ground Potential -0.5V to +3.3V
 DC Voltage Applied to Outputs in High-Z State..... -0.5V to $V_{CC} + 0.5V$
 DC Input Voltage^[29] -0.5V to $V_{CC} + 0.5V$

Output Current into Outputs (LOW)..... 90 mA
 Static Discharge Voltage..... > 2000V
 Latch-up Current..... > 200 mA

Operating Range

Range	Ambient Temperature	V_{CC}
Commercial	0°C to +70°C	1.8V ± 100 mV 2.5V ± 100 mV 3.0V ± 300 mV
Industrial	-40°C to +85°C	1.8V ± 100 mV 2.5V ± 100 mV 3.0V ± 300 mV

Electrical Characteristics for 1.8V Over the Operating Range

Parameter	Description	CYDM256A16, CYDM128A16, CYDM064A16, CYDM128A08, CYDM064A08			CYDM256A16, CYDM128A16, CYDM064A16, CYDM128A08, CYDM064A08			Unit
		-35			-55			
		Min.	Typ.	Max.	Min.	Typ.	Max.	
V_{OH}	Output HIGH Voltage ($I_{OH} = -100 \mu A$)	$V_{CC} - 0.2$			$V_{CC} - 0.2$			V
V_{OL}	Output LOW Voltage ($I_{OL} = 100 \mu A$)			0.2			0.2	V
$V_{OL ODR}$	ODR Output LOW Voltage ($I_{OL} = 2 \text{ mA}$)			0.2			0.2	V
V_{IH}	Input HIGH Voltage	1.2		$V_{CC} + 0.2$	1.2		$V_{CC} + 0.2$	V
V_{IL}	Input LOW Voltage	-0.2		0.4	-0.2		0.4	V
I_{OZ}	Output Leakage Current	-1		1	-1		1	μA
$I_{CEX ODR}$	ODR Output Leakage Current. $V_{OUT} = V_{CC}$	-1		1	-1		1	μA
I_{IX}	Input Leakage Current	-1		1	-1		1	μA
I_{CC}	Operating Current ($V_{CC} = \text{Max.}$, $I_{OUT} = 0 \text{ mA}$) Outputs Disabled	Ind.	25	40		15	25	mA
I_{SB1}	Standby Current (Both Ports TTL Level) \overline{CE}_L and $CE_R \geq V_{CC} - 0.2$, $SEM_L = SEM_R = SFEN = V_{CC} - 0.2$, $f = f_{MAX}$	Ind.	2	6		2	6	μA
I_{SB2}	Standby Current (One Port TTL Level) \overline{CE}_L $CE_R \geq V_{IH}$, $f = f_{MAX}$	Ind.	8.5	18		8.5	14	mA
I_{SB3}	Standby Current (Both Ports CMOS Level) \overline{CE}_L & $CE_R \geq V_{CC} - 0.2V$, SEM_L , SEM_R , and $SFEN > V_{CC} - 0.2V$, $f = 0$	Ind.	2	6		2	6	μA
I_{SB4}	Standby Current (One Port CMOS Level) \overline{CE}_L $CE_R \geq V_{IH}$, $f = f_{MAX}$ ^[30]	Ind.	8.5	18		8.5	14	mA

Notes:

28. The voltage on any input or I/O pin can not exceed the power pin during power-up.

29. Pulse width < 20 ns.

30. $f_{MAX} = 1/t_{RC}$ = All inputs cycling at $f = 1/t_{RC}$ (except output enable). $f = 0$ means no address or control lines change. This applies only to inputs at CMOS level standby I_{SB3} .

Electrical Characteristics for 2.5V Over the Operating Range

Parameter	Description	CYDM256A16, CYDM128A16, CYDM064A16, CYDM128A08, CYDM064A08			CYDM256A16, CYDM128A16, CYDM064A16, CYDM128A08, CYDM064A08			Unit	
		-35			-55				
		Min.	Typ.	Max.	Min.	Typ.	Max.		
V _{OH}	Output HIGH Voltage (I _{OH} = -2 mA)	2.0			2.0			V	
V _{OL}	Output LOW Voltage (I _{OL} = 2 mA)			0.4			0.4	V	
V _{OL} ODR	ODR Output LOW Voltage (I _{OL} = 5 mA)			0.4			0.4	V	
V _{IH}	Input HIGH Voltage	1.7		V _{CC} + 0.3	1.7		V _{CC} + 0.3	V	
V _{IL}	Input LOW Voltage	-0.3		0.6	-0.3		0.6	V	
I _{OZ}	Output Leakage Current	-1		1	-1		1	μA	
I _{CEX} ODR	ODR Output Leakage Current. V _{OUT} = V _{CC}	-1		1	-1		1	μA	
I _{IX}	Input Leakage Current	-1		1	-1		1	μA	
I _{CC}	Operating Current (V _{CC} = Max., I _{OUT} = 0 mA) Outputs Disabled	Ind.		39	55		28	40	mA
I _{SB1}	Standby Current (Both Ports TTL Level) C _E L and C _E R ≥ V _{CC} - 0.2, S _E M _L = S _E M _R = S _F E _N = V _{CC} - 0.2, f = f _{MAX}	Ind.		6	8		6	8	μA
I _{SB2}	Standby Current (One Port TTL Level) C _E L C _E R ≥ V _{IH} , f = f _{MAX}	Ind.		21	30		18	25	mA
I _{SB3}	Standby Current (Both Ports CMOS Level) C _E L & C _E R ≥ V _{CC} - 0.2V, S _E M _L , S _E M _R , and S _F E _N > V _{CC} - 0.2V, f = 0	Ind.		4	6		4	6	μA
I _{SB4}	Standby Current (One Port CMOS Level) C _E L C _E R ≥ V _{IH} , f = f _{MAX} ^[30]	Ind.		21	30		18	25	mA

Electrical Characteristics for 3.0V Over the Operating Range

Parameter	Description	CYDM256A16, CYDM128A16, CYDM064A16, CYDM128A08, CYDM064A08			CYDM256A16, CYDM128A16, CYDM064A16, CYDM128A08, CYDM064A08			Unit
		-35			-55			
		Min.	Typ.	Max.	Min.	Typ.	Max.	
V _{OH}	Output HIGH Voltage (I _{OH} = -2 mA)	2.1			2.1			V
V _{OL}	Output LOW Voltage (I _{OL} = 2 mA)			0.4			0.4	V
V _{OL} ODR	ODR Output LOW Voltage (I _{OL} = 8 mA)			0.5			0.5	V
V _{IH}	Input HIGH Voltage	2.0		V _{CC} + 0.2	2.0		V _{CC} + 0.2	V
V _{IL}	Input LOW Voltage	-0.2		0.7	-0.2		0.7	V
I _{OZ}	Output Leakage Current	-1		1	-1		1	μA
I _{CEX} ODR	ODR Output Leakage Current. V _{OUT} = V _{CC}	-1		1	-1		1	μA
I _{IX}	Input Leakage Current	-1		1	-1		1	μA

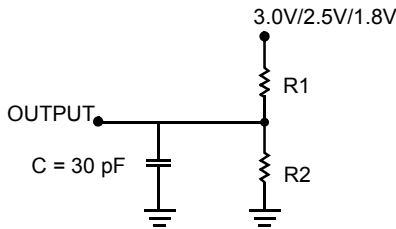
Electrical Characteristics for 3.0V Over the Operating Range (continued)

Parameter	Description	Ind.	CYDM256A16, CYDM128A16, CYDM064A16, CYDM128A08, CYDM064A08			CYDM256A16, CYDM128A16, CYDM064A16, CYDM128A08, CYDM064A08			Unit
			-35			-55			
			Min.	Typ.	Max.	Min.	Typ.	Max.	
I_{CC}	Operating Current ($V_{CC} = \text{Max.}$, $I_{OUT} = 0 \text{ mA}$) Outputs Disabled	Ind.		49	70		42	60	mA
I_{SB1}	Standby Current (Both Ports TTL Level) CE_L and $CE_R \geq V_{CC} - 0.2$, $SEM_L = SEM_R = SFEN = V_{CC} - 0.2$, $f = f_{MAX}$	Ind.		7	10		7	10	μA
I_{SB2}	Standby Current (One Port TTL Level) $CE_L CE_R \geq V_{IH}$, $f = f_{MAX}$	Ind.		28	40		25	35	mA
I_{SB3}	Standby Current (Both Ports CMOS Level) CE_L & $CE_R \geq V_{CC} - 0.2\text{V}$, SEM_L , SEM_R , and $SFEN > V_{CC} - 0.2\text{V}$, $f = 0$	Ind.		6	8		6	8	μA
I_{SB4}	Standby Current (One Port CMOS Level) $CE_L CE_R \geq V_{IH}$, $f = f_{MAX}$ ^[30]	Ind.		28	40		25	35	mA

Capacitance^[31]

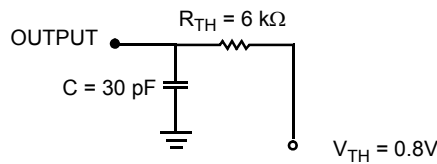
Parameter	Description	Test Conditions	Max.	Unit
C_{IN}	Input Capacitance	$T_A = 25^\circ\text{C}$, $f = 1 \text{ MHz}$, $V_{CC} = 3.0\text{V}$	9	pF
C_{OUT}	Output Capacitance		10	pF

AC Test Loads and Waveforms



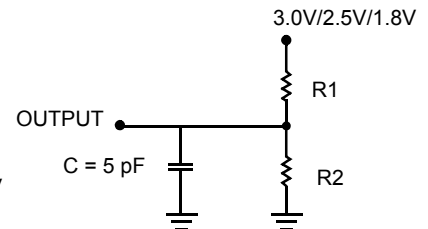
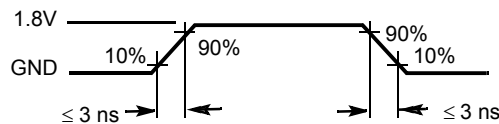
(a) Normal Load (Load 1)

	3.0V/2.5V	1.8V
R1	1022 Ω	13500 Ω
R2	792 Ω	10800 Ω



(b) Thévenin Equivalent (Load 1)

ALL INPUT PULSES



(c) Three-State Delay (Load 2)

(Used for t_{LZ} , t_{HZ} , t_{HZWE} , and t_{LZWE} including scope and jig)

Note:

31. Tested initially and after any design or process changes that may affect these parameters.

Switching Characteristics for 1.8V Over the Operating Range^[32]

Parameter	Description	CYDM256A16, CYDM128A16, CYDM064A16, CYDM128A08, CYDM064A08		CYDM256A16, CYDM128A16, CYDM064A16, CYDM128A08, CYDM064A08		Unit
		-35		-55		
		Min.	Max.	Min.	Max.	
Read Cycle						
t _{RC}	Read Cycle Time	35		55		ns
t _{AA}	Address to Data Valid		35		55	ns
t _{OHA}	Output Hold From Address Change	5		5		ns
t _{ACE} ^[33]	\overline{CE} LOW to Data Valid		35		55	ns
t _{DOE}	\overline{OE} LOW to Data Valid		20		30	ns
t _{LZOE} ^[34, 35, 36]	\overline{OE} Low to Low Z	5		5		ns
t _{HZOE} ^[34, 35, 36]	\overline{OE} HIGH to High Z		15		25	ns
t _{LZCE} ^[34, 35, 36]	\overline{CE} LOW to Low Z	5		5		ns
t _{HZCE} ^[34, 35, 36]	\overline{CE} HIGH to High Z		15		25	ns
t _{PU} ^[36]	\overline{CE} LOW to Power-Up	0		0		ns
t _{PD} ^[36]	\overline{CE} HIGH to Power-Down		35		55	ns
t _{ABE} ^[33]	Byte Enable Access Time		35		55	ns
Write Cycle						
t _{WC}	Write Cycle Time	35		55		ns
t _{SCE} ^[33]	\overline{CE} LOW to Write End	25		45		ns
t _{AW}	Address Valid to Write End	25		45		ns
t _{HA}	Address Hold From Write End	0		0		ns
t _{SA} ^[33]	Address Set-up to Write Start	0		0		ns
t _{PWE}	Write Pulse Width	25		40		ns
t _{SD}	Data Set-up to Write End	20		30		ns
t _{HD}	Data Hold From Write End	0		0		ns
t _{HZWE} ^[35, 36]	R/W LOW to High Z		15		25	ns
t _{LZWE} ^[35, 36]	R/W HIGH to Low Z	0		0		ns
t _{WDD} ^[37]	Write Pulse to Data Delay		50		80	ns
t _{DDD} ^[37]	Write Data Valid to Read Data Valid		40		65	ns
Busy Timing ^[38]						
t _{BLA}	\overline{BUSY} LOW from Address Match		25		45	ns
t _{BHA}	\overline{BUSY} HIGH from Address Mismatch		25		45	ns
t _{BLC}	\overline{BUSY} LOW from \overline{CE} LOW		25		45	ns
t _{BHC}	\overline{BUSY} HIGH from \overline{CE} HIGH		25		45	ns

Notes:

32. Test conditions assume signal transition time of 3 ns or less, timing reference levels of $V_{DD}/2$, input pulse levels of 0 to V_{DD} , and output loading of the specified I_{OL}/I_{OH} and 30-pF load capacitance.

33. To access RAM, $\overline{CE} = L$, $\overline{UB} = L$, $\overline{SEM} = H$. To access semaphore, $\overline{CE} = H$ and $\overline{SEM} = L$. Either condition must be valid for the entire t_{SCE} time.

34. At any given temperature and voltage condition for any given device, t_{HZCE} is less than t_{LZCE} and t_{HZOE} is less than t_{LZOE} .

35. Test conditions used are Load 3.

36. This parameter is guaranteed but not tested. For information on port-to-port delay through RAM cells from writing port to reading port, refer to Read Timing with Busy waveform.

37. For information on port-to-port delay through RAM cells from writing port to reading port, refer to Read Timing with Busy waveform.

38. Test conditions used are Load 2.

Switching Characteristics for 1.8V Over the Operating Range^[32] (continued)

Parameter	Description	CYDM256A16, CYDM128A16, CYDM064A16, CYDM128A08, CYDM064A08		CYDM256A16, CYDM128A16, CYDM064A16, CYDM128A08, CYDM064A08		Unit
		-35		-55		
		Min.	Max.	Min.	Max.	
t _{PS}	Port Set-up for Priority	5		5		ns
t _{WB}	R/W HIGH after $\overline{\text{BUSY}}$ (Slave)	0		0		ns
t _{WH}	R/W HIGH after $\overline{\text{BUSY}}$ HIGH (Slave)	20		35		ns
t _{BDD} ^[39]	$\overline{\text{BUSY}}$ HIGH to Data Valid		25		40	ns
Interrupt Timing^[38]						
t _{INS}	$\overline{\text{INT}}$ Set Time		31		45	ns
t _{INR}	$\overline{\text{INT}}$ Reset Time		31		45	ns
Semaphore Timing						
t _{SOP}	SEM Flag Update Pulse ($\overline{\text{OE}}$ or $\overline{\text{SEM}}$)	10		15		ns
t _{SWRD}	SEM Flag Write to Read Time	10		10		ns
t _{SPS}	SEM Flag Contention Window	10		10		ns
t _{SAA}	SEM Address Access Time		35		55	ns

Switching Characteristics for 2.5V Over the Operating Range

Parameter	Description	CYDM256A16, CYDM128A16, CYDM064A16, CYDM128A08, CYDM064A08		CYDM256A16, CYDM128A16, CYDM064A16, CYDM128A08, CYDM064A08		Unit
		-35		-55		
		Min.	Max.	Min.	Max.	
Read Cycle						
t _{RC}	Read Cycle Time	35		55		ns
t _{AA}	Address to Data Valid		35		55	ns
t _{OHA}	Output Hold From Address Change	5		5		ns
t _{ACE} ^[33]	$\overline{\text{CE}}$ LOW to Data Valid		35		55	ns
t _{DOE}	$\overline{\text{OE}}$ LOW to Data Valid		20		30	ns
t _{LZOE} ^[34, 35, 36]	$\overline{\text{OE}}$ Low to Low Z	2		2		ns
t _{HZOE} ^[34, 35, 36]	$\overline{\text{OE}}$ HIGH to High Z		15		25	ns
t _{LZCE} ^[34, 35, 36]	$\overline{\text{CE}}$ LOW to Low Z	2		2		ns
t _{HZCE} ^[34, 35, 36]	$\overline{\text{CE}}$ HIGH to High Z		15		25	ns
t _{PU} ^[36]	$\overline{\text{CE}}$ LOW to Power-Up	0		0		ns
t _{PD} ^[36]	$\overline{\text{CE}}$ HIGH to Power-Down		35		55	ns
t _{ABE} ^[33]	Byte Enable Access Time		35		55	ns
Write Cycle						
t _{WC}	Write Cycle Time	35		55		ns
t _{SCE} ^[33]	$\overline{\text{CE}}$ LOW to Write End	25		45		ns

Notes:

39. t_{BDD} is a calculated parameter and is the greater of t_{WDD}-t_{PWE} (actual) or t_{BDD}-t_{SD} (actual).

Switching Characteristics for 2.5V Over the Operating Range (continued)

Parameter	Description	CYDM256A16, CYDM128A16, CYDM064A16, CYDM128A08, CYDM064A08		CYDM256A16, CYDM128A16, CYDM064A16, CYDM128A08, CYDM064A08		Unit
		-35		-55		
		Min.	Max.	Min.	Max.	
t _{AW}	Address Valid to Write End	25		45		ns
t _{HA}	Address Hold From Write End	0		0		ns
t _{SA} ^[33]	Address Set-up to Write Start	0		0		ns
t _{PWE}	Write Pulse Width	25		40		ns
t _{SD}	Data Set-up to Write End	20		30		ns
t _{HD}	Data Hold From Write End	0		0		ns
t _{HZWE} ^[35, 36]	R/W LOW to High Z		15		25	ns
t _{LZWE} ^[35, 36]	R/W HIGH to Low Z	0		0		ns
t _{WDD} ^[37]	Write Pulse to Data Delay		50		80	ns
t _{DDD} ^[37]	Write Data Valid to Read Data Valid		40		65	ns
Busy Timing ^[38]						
t _{BLA}	BUSY LOW from Address Match		25		45	ns
t _{BHA}	BUSY HIGH from Address Mismatch		25		45	ns
t _{BLC}	BUSY LOW from CE LOW		25		45	ns
t _{BHC}	BUSY HIGH from CE HIGH		25		45	ns
t _{PS}	Port Set-up for Priority	5		5		ns
t _{WB}	R/W HIGH after BUSY (Slave)	0		0		ns
t _{WH}	R/W HIGH after BUSY HIGH (Slave)	20		35		ns
t _{BDD} ^[39]	BUSY HIGH to Data Valid		25		40	ns
Interrupt Timing ^[38]						
t _{INS}	INT Set Time		31		45	ns
t _{INR}	INT Reset Time		31		45	ns
Semaphore Timing						
t _{SOP}	SEM Flag Update Pulse (OE or SEM)	10		15		ns
t _{SWRD}	SEM Flag Write to Read Time	10		10		ns
t _{SPS}	SEM Flag Contention Window	10		10		ns
t _{SAA}	SEM Address Access Time		35		55	ns



Switching Characteristics for 3.0V Over the Operating Range

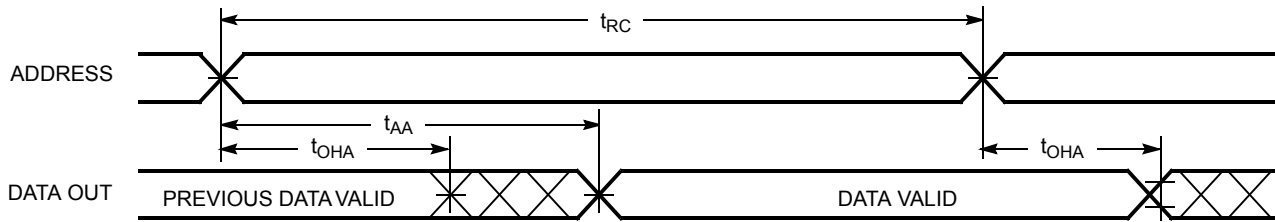
Parameter	Description	CYDM256A16, CYDM128A16, CYDM064A16, CYDM128A08, CYDM064A08		CYDM256A16, CYDM128A16, CYDM064A16, CYDM128A08, CYDM064A08		Unit
		-35		-55		
		Min.	Max.	Min.	Max.	
Read Cycle						
t_{RC}	Read Cycle Time	35		55		ns
t_{AA}	Address to Data Valid		35		55	ns
t_{OHA}	Output Hold From Address Change	5		5		ns
$t_{ACE}^{[33]}$	\overline{CE} LOW to Data Valid		35		55	ns
t_{DOE}	\overline{OE} LOW to Data Valid		20		30	ns
$t_{LZOE}^{[34, 35, 36]}$	\overline{OE} Low to Low Z	1		1		ns
$t_{HZOE}^{[34, 35, 36]}$	\overline{OE} HIGH to High Z		15		25	ns
$t_{LZCE}^{[34, 35, 36]}$	\overline{CE} LOW to Low Z	1		1		ns
$t_{HZCE}^{[34, 35, 36]}$	\overline{CE} HIGH to High Z		15		25	ns
$t_{PU}^{[36]}$	\overline{CE} LOW to Power-Up	0		0		ns
$t_{PD}^{[36]}$	\overline{CE} HIGH to Power-Down		35		55	ns
$t_{ABE}^{[33]}$	Byte Enable Access Time		35		55	ns
Write Cycle						
t_{WC}	Write Cycle Time	35		55		ns
$t_{SCE}^{[33]}$	\overline{CE} LOW to Write End	25		45		ns
t_{AW}	Address Valid to Write End	25		45		ns
t_{HA}	Address Hold From Write End	0		0		ns
$t_{SA}^{[33]}$	Address Set-up to Write Start	0		0		ns
t_{PWE}	Write Pulse Width	25		40		ns
t_{SD}	Data Set-up to Write End	20		30		ns
t_{HD}	Data Hold From Write End	0		0		ns
$t_{HZWE}^{[35, 36]}$	$\overline{R/W}$ LOW to High Z		15		25	ns
$t_{LZWE}^{[35, 36]}$	$\overline{R/W}$ HIGH to Low Z	0		0		ns
$t_{WDD}^{[37]}$	Write Pulse to Data Delay		50		80	ns
$t_{DDD}^{[37]}$	Write Data Valid to Read Data Valid		40		65	ns
Busy Timing^[38]						
t_{BLA}	\overline{BUSY} LOW from Address Match		25		45	ns
t_{BHA}	\overline{BUSY} HIGH from Address Mismatch		25		45	ns
t_{BLC}	\overline{BUSY} LOW from \overline{CE} LOW		25		45	ns
t_{BHC}	\overline{BUSY} HIGH from \overline{CE} HIGH		25		45	ns
t_{PS}	Port Set-up for Priority	5		5		ns
t_{WB}	$\overline{R/W}$ HIGH after \overline{BUSY} (Slave)	0		0		ns
t_{WH}	$\overline{R/W}$ HIGH after \overline{BUSY} HIGH (Slave)	20		35		ns
$t_{BDD}^{[39]}$	\overline{BUSY} HIGH to Data Valid		25		40	ns

Switching Characteristics for 3.0V Over the Operating Range (continued)

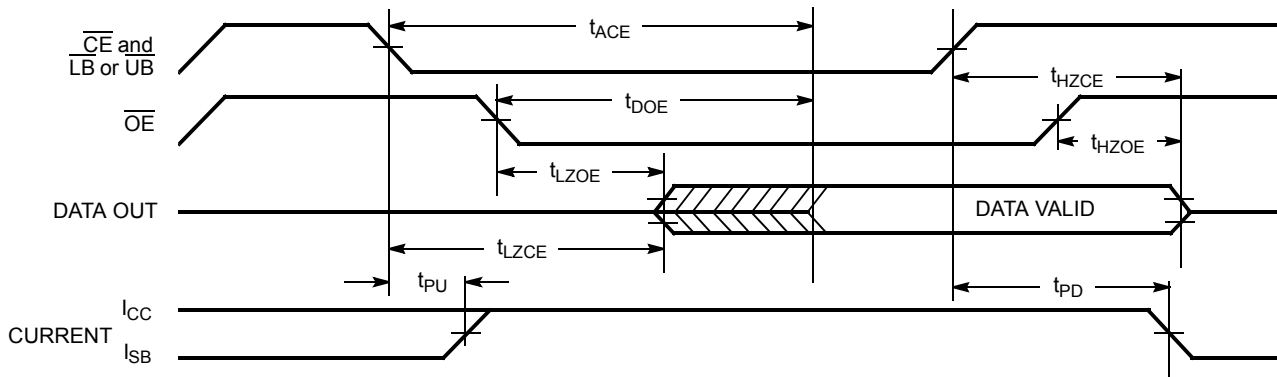
Parameter	Description	CYDM256A16, CYDM128A16, CYDM064A16, CYDM128A08, CYDM064A08		CYDM256A16, CYDM128A16, CYDM064A16, CYDM128A08, CYDM064A08		Unit
		-35		-55		
		Min.	Max.	Min.	Max.	
Interrupt Timing^[38]						
t_{INS}	\overline{INT} Set Time		31		45	ns
t_{INR}	\overline{INT} Reset Time		31		45	ns
Semaphore Timing						
t_{SOP}	SEM Flag Update Pulse (\overline{OE} or \overline{SEM})	10		15		ns
t_{SWRD}	SEM Flag Write to Read Time	10		10		ns
t_{SPS}	SEM Flag Contention Window	10		10		ns
t_{SAA}	SEM Address Access Time		35		55	ns

Switching Waveforms

Read Cycle No.1 (Either Port Address Access)^[40, 41, 42]



Read Cycle No.2 (Either Port $\overline{CE}/\overline{OE}$ Access)^[40, 43, 44]

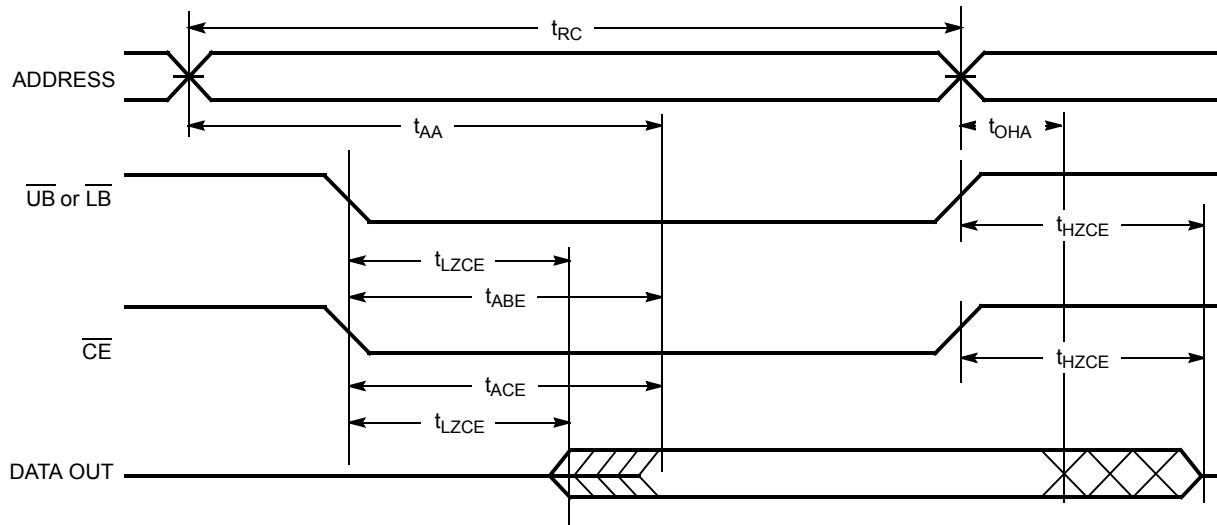


Notes:

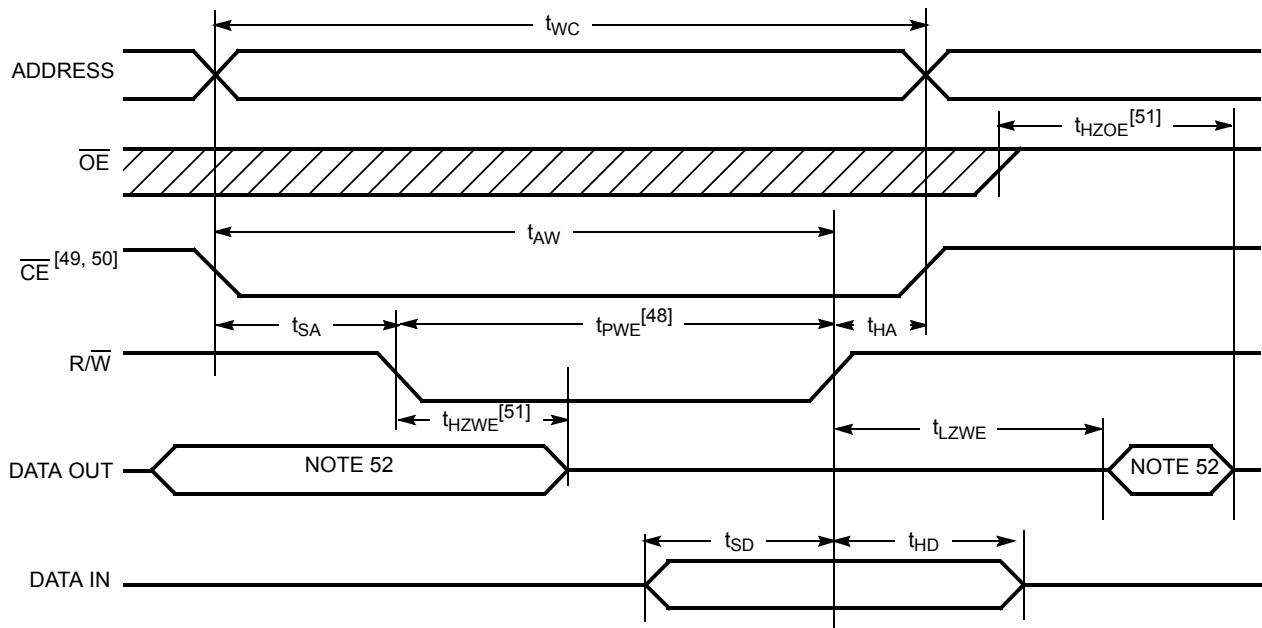
- 40. R/W is HIGH for read cycles.
- 41. Device is continuously selected $\overline{CE} = V_{IL}$ and \overline{UB} or $\overline{LB} = V_{IL}$. This waveform cannot be used for semaphore reads.
- 42. $OE = V_{IL}$.
- 43. Address valid prior to or coincident with \overline{CE} transition LOW.
- 44. To access RAM, $\overline{CE} = V_{IL}$, \overline{UB} or $\overline{LB} = V_{IL}$, $\overline{SEM} = V_{IH}$. To access semaphore, $\overline{CE} = V_{IH}$, $\overline{SEM} = V_{IL}$.

Switching Waveforms (continued)

Read Cycle No. 3 (Either Port)^[40, 42, 45, 46]



Write Cycle No.1: R/W Controlled Timing^[45, 46, 47, 48, 49, 50]

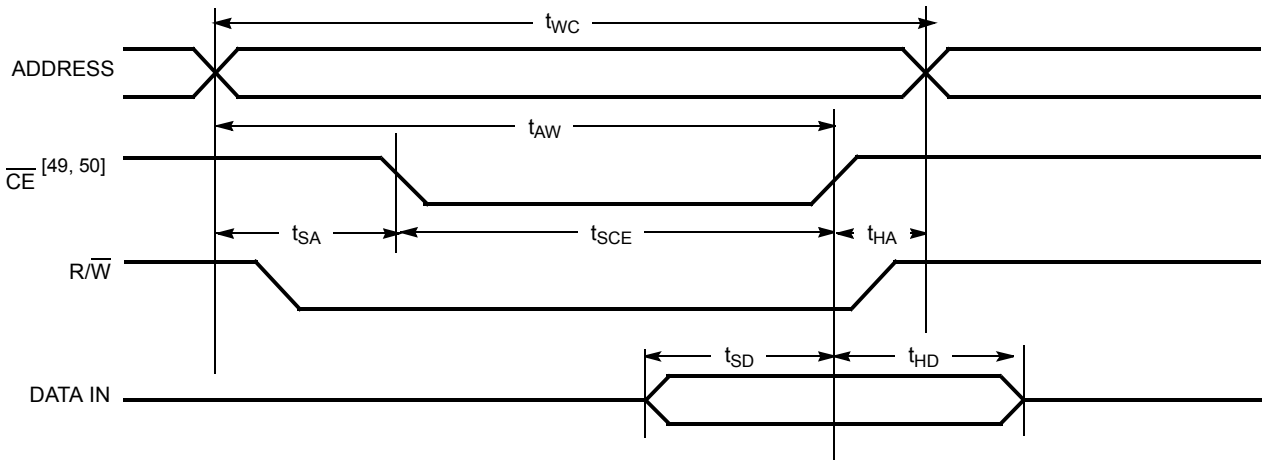


Notes:

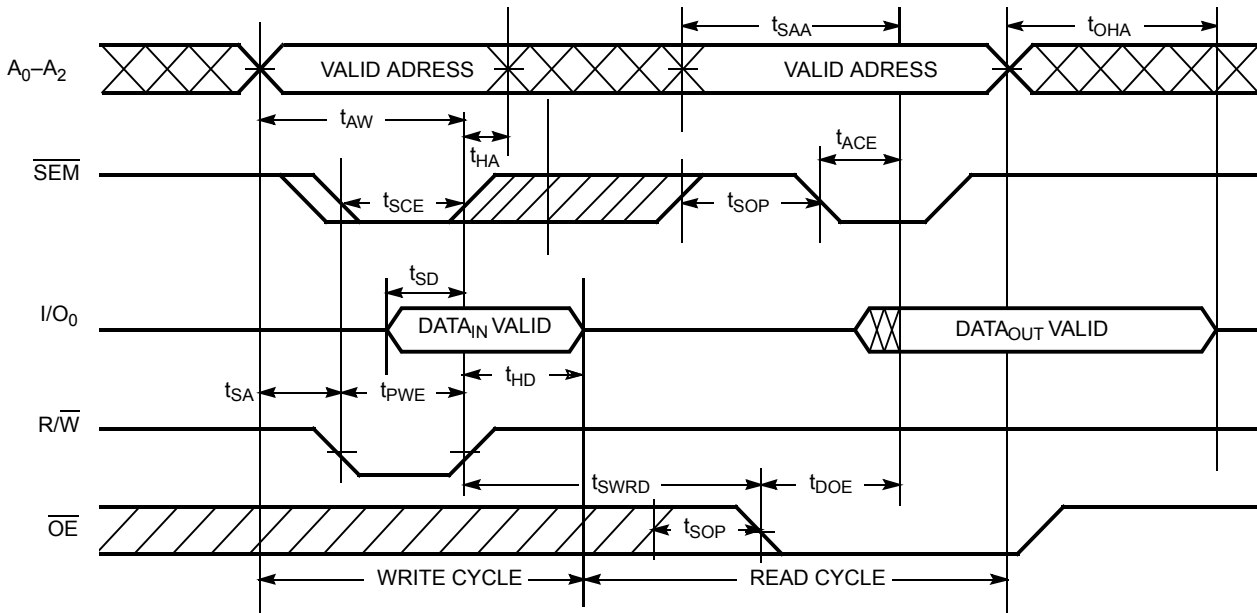
- 45. R/W must be HIGH during all address transitions.
- 46. A write occurs during the overlap (t_{SCE} or t_{PWE}) of a LOW \overline{CE} or \overline{SEM} and a LOW \overline{UB} or \overline{LB} .
- 47. t_{HA} is measured from the earlier of CE or R/W or (SEM or R/W) going HIGH at the end of write cycle.
- 48. If OE is LOW during a R/W controlled write cycle, the write pulse width must be the larger of t_{PWE} or ($t_{HZWE} + t_{SD}$) to allow the I/O drivers to turn off and data to be placed on the bus for the required t_{SD} . If OE is HIGH during an R/W controlled write cycle, this requirement does not apply and the write pulse can be as short as the specified t_{PWE} .
- 49. To access RAM, $\overline{CE} = V_{IL}$, $\overline{SEM} = V_{IH}$.
- 50. To access upper byte, $\overline{CE} = V_{IL}$, $\overline{UB} = V_{IL}$, $\overline{SEM} = V_{IH}$.
To access lower byte, $\overline{CE} = V_{IL}$, $\overline{LB} = V_{IL}$, $\overline{SEM} = V_{IH}$.
- 51. Transition is measured ± 0 mV from steady state with a 5-pF load (including scope and jig). This parameter is sampled and not 100% tested.
- 52. During this period, the I/O pins are in the output state, and input signals must not be applied.

Switching Waveforms (continued)

Write Cycle No. 2: \overline{CE} Controlled Timing^[45, 46, 47, 52]



Semaphore Read After Write Timing, Either Side^[53, 54]

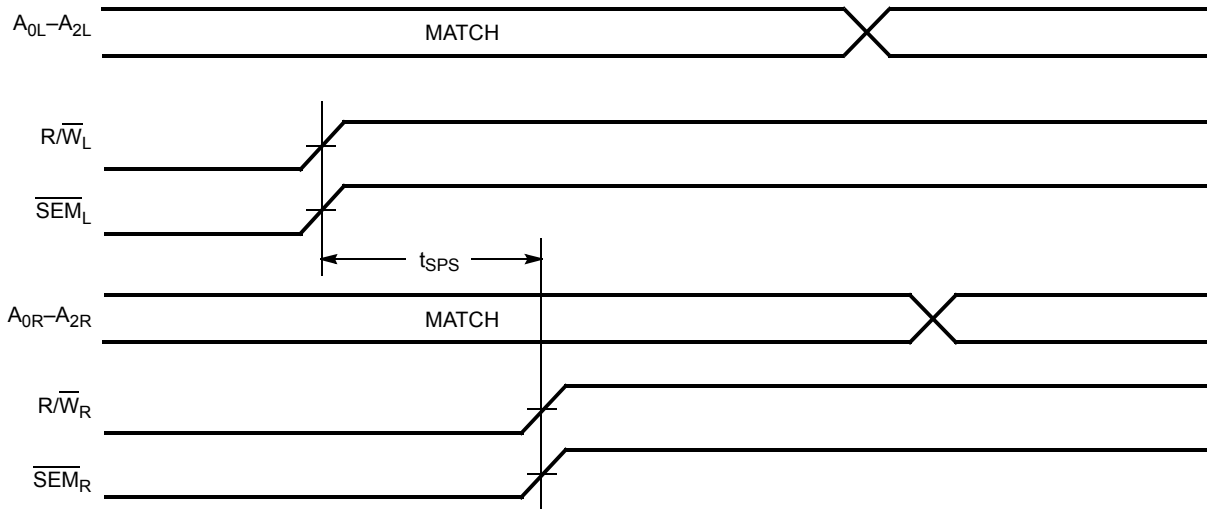


Notes:

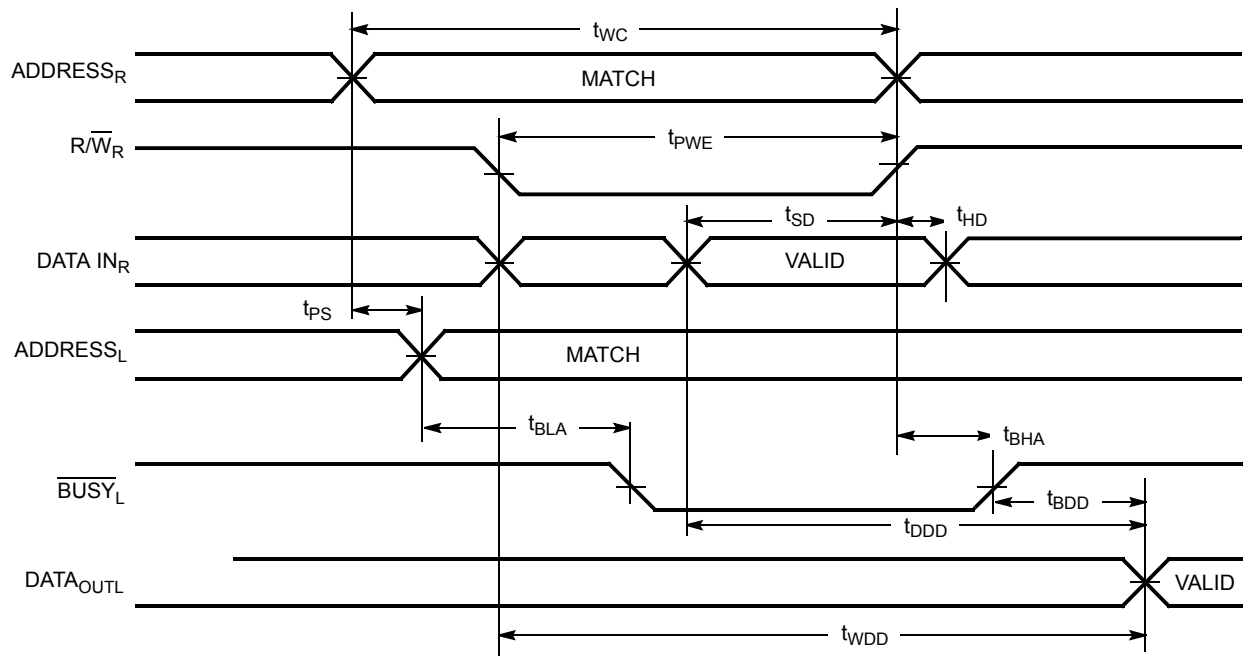
- 53. If the \overline{CE} or \overline{SEM} LOW transition occurs simultaneously with or after the R/\overline{W} LOW transition, the outputs remain in the high-impedance state.
- 54. \overline{CE} = HIGH for the duration of the above timing (both write and read cycle).

Switching Waveforms (continued)

Timing Diagram of Semaphore Contention^[55, 56]



Timing Diagram of Read with \overline{BUSY} ($M/\overline{S} = \text{HIGH}$)^[57]



Notes:

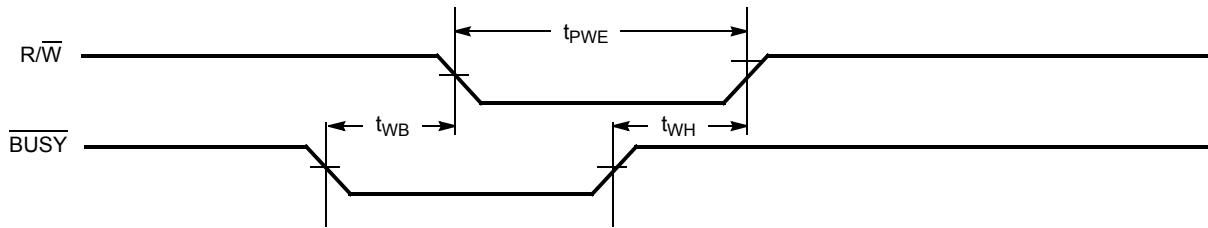
55. $I/O_{0R} = I/O_{0L} = \text{LOW}$ (request semaphore); $\overline{CE}_R = \overline{CE}_L = \text{HIGH}$.

56. If t_{SPS} is violated, the semaphore will definitely be obtained by one side or the other, but which side will get the semaphore is unpredictable.

57. $\overline{CE}_L = \overline{CE}_R = \text{LOW}$.

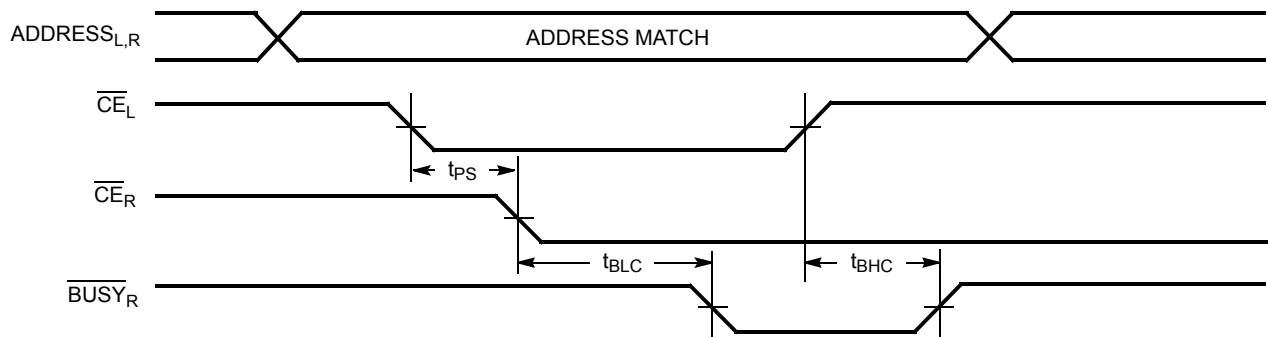
Switching Waveforms (continued)

Write Timing with Busy Input ($\overline{M/\overline{S}} = \text{LOW}$)

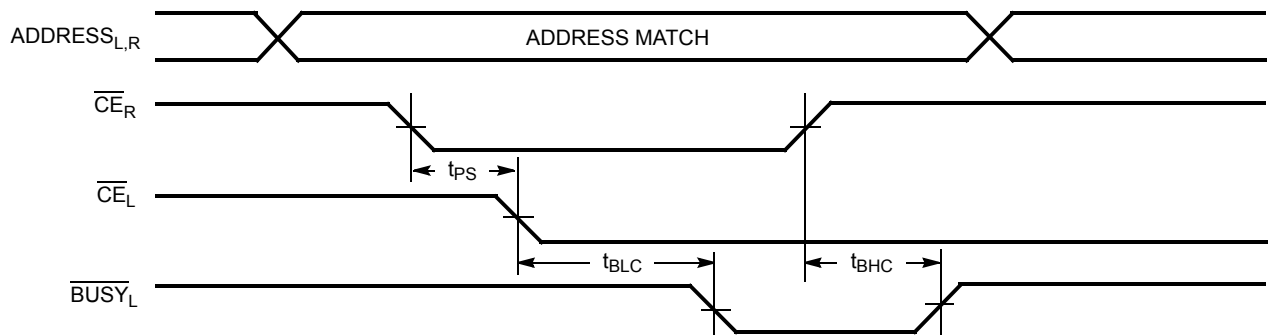


Busy Timing Diagram No.1 (\overline{CE} Arbitration)

\overline{CE}_L Valid First^[58]



\overline{CE}_R Valid First



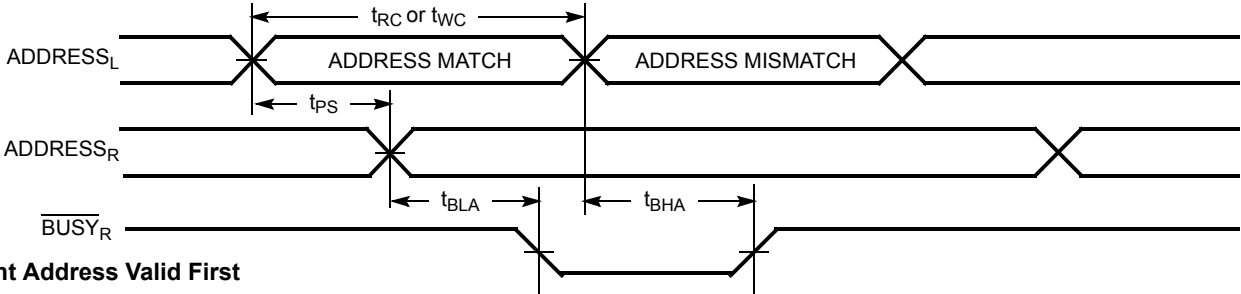
Note:

58. If t_{PS} is violated, the busy signal will be asserted on one side or the other, but there is no guarantee to which side \overline{BUSY} will be asserted.

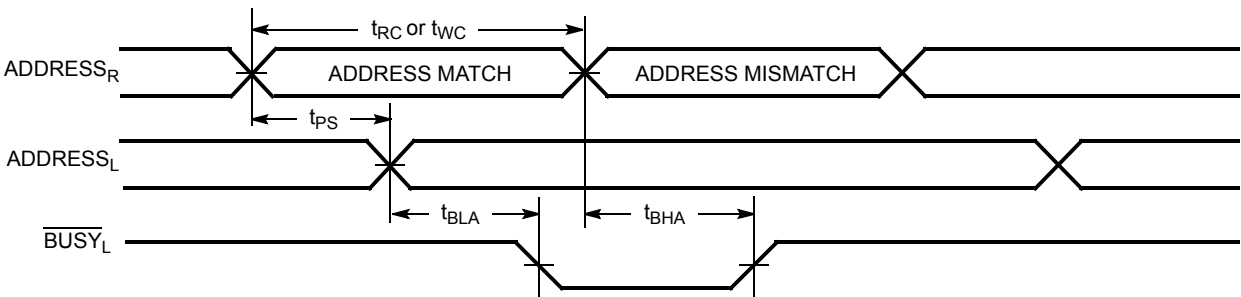
Switching Waveforms (continued)

Busy Timing Diagram No.2 (Address Arbitration)^[58]

Left Address Valid First

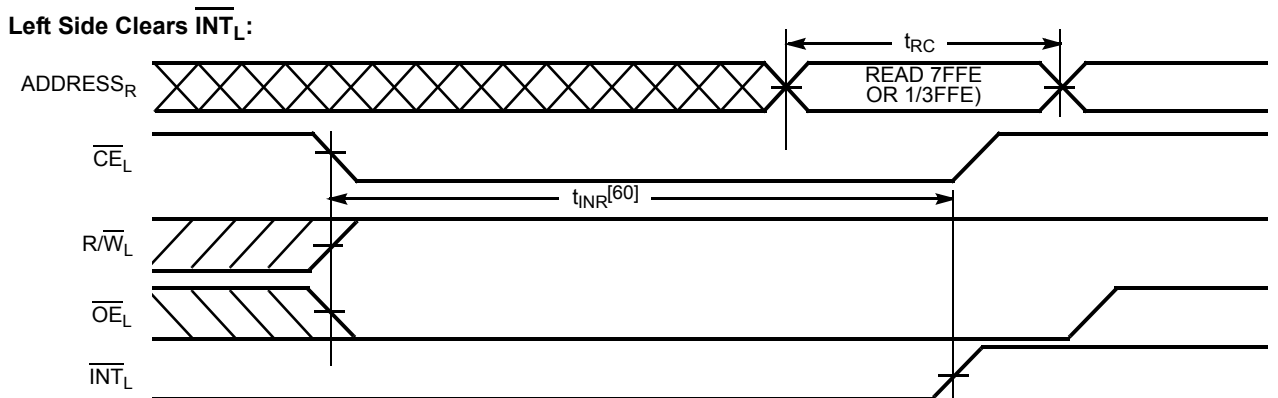
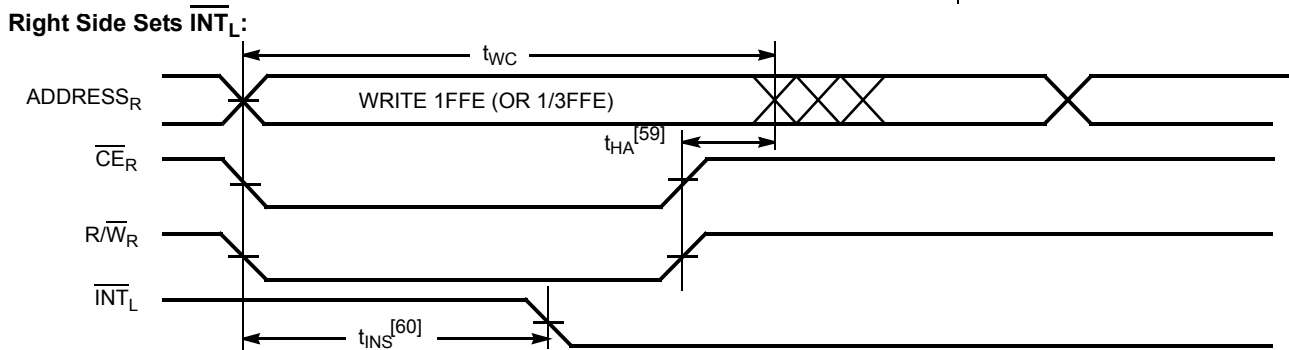
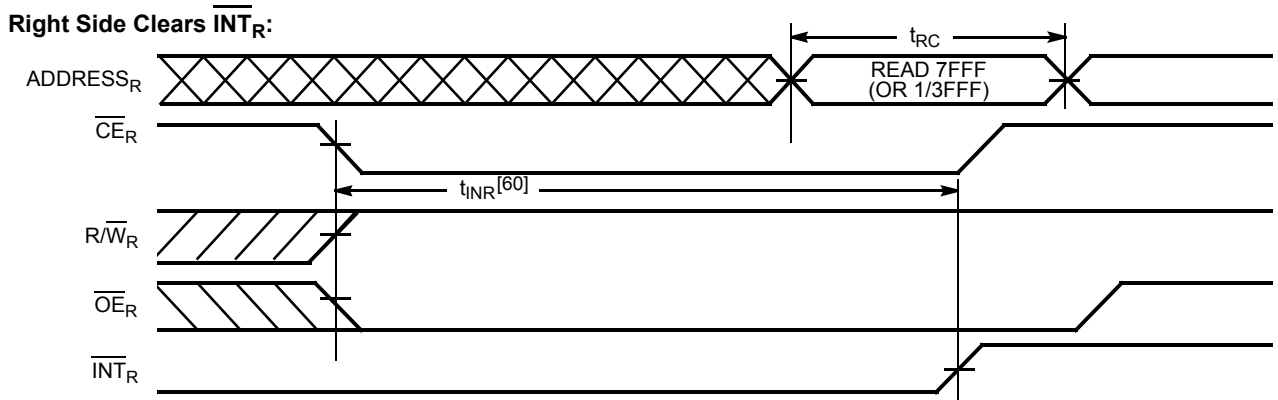
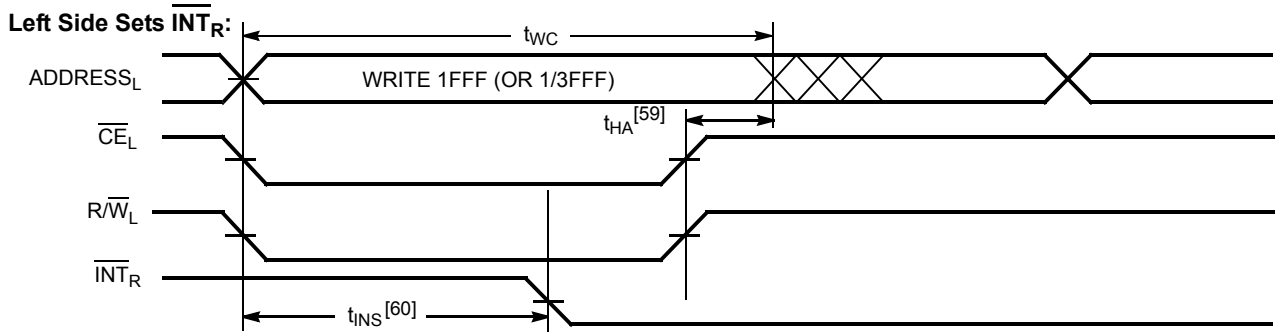


Right Address Valid First



Switching Waveforms (continued)

Interrupt Timing Diagrams



Notes:

- 59. t_{HA} depends on which enable pin ($\overline{\text{CE}}_L$ or $\overline{\text{R}}/\overline{\text{W}}_L$) is deasserted first.
- 60. t_{INS} or t_{INR} depends on which enable pin ($\overline{\text{CE}}_L$ or $\overline{\text{R}}/\overline{\text{W}}_L$) is asserted last.



Ordering Information

16K x16 1.8V Asynchronous Dual-Port SRAM

Speed (ns)	Ordering Code	Package Name	Package Type	Operating Range
35	CYDM256A16-35BVXC	BZ100	100-Ball Lead Free 0.5-mm Pitch BGA	Commercial
55	CYDM256A16-55BVXC	BZ100	100-Ball Lead Free 0.5-mm Pitch BGA	Commercial
55	CYDM256A16-55BVXI	BZ100	100-Ball Lead Free 0.5-mm Pitch BGA	Industrial

8K x16 1.8V Asynchronous Dual-Port SRAM

Speed (ns)	Ordering Code	Package Name	Package Type	Operating Range
35	CYDM128A16-35BVXC	BZ100	100-Ball Lead Free 0.5-mm Pitch BGA	Commercial
55	CYDM128A16-55BVXC	BZ100	100-Ball Lead Free 0.5-mm Pitch BGA	Commercial
55	CYDM128A16-55BVXI	BZ100	100-Ball Lead Free 0.5-mm Pitch BGA	Industrial

4K x16 1.8V Asynchronous Dual-Port SRAM

Speed (ns)	Ordering Code	Package Name	Package Type	Operating Range
35	CYDM064A16-35BVXC	BZ100	100-Ball Lead Free 0.5-mm Pitch BGA	Commercial
55	CYDM064A16-55BVXC	BZ100	100-Ball Lead Free 0.5-mm Pitch BGA	Commercial
55	CYDM064A16-55BVXI	BZ100	100-Ball Lead Free 0.5-mm Pitch BGA	Industrial

16K x8 1.8V Asynchronous Dual-Port SRAM

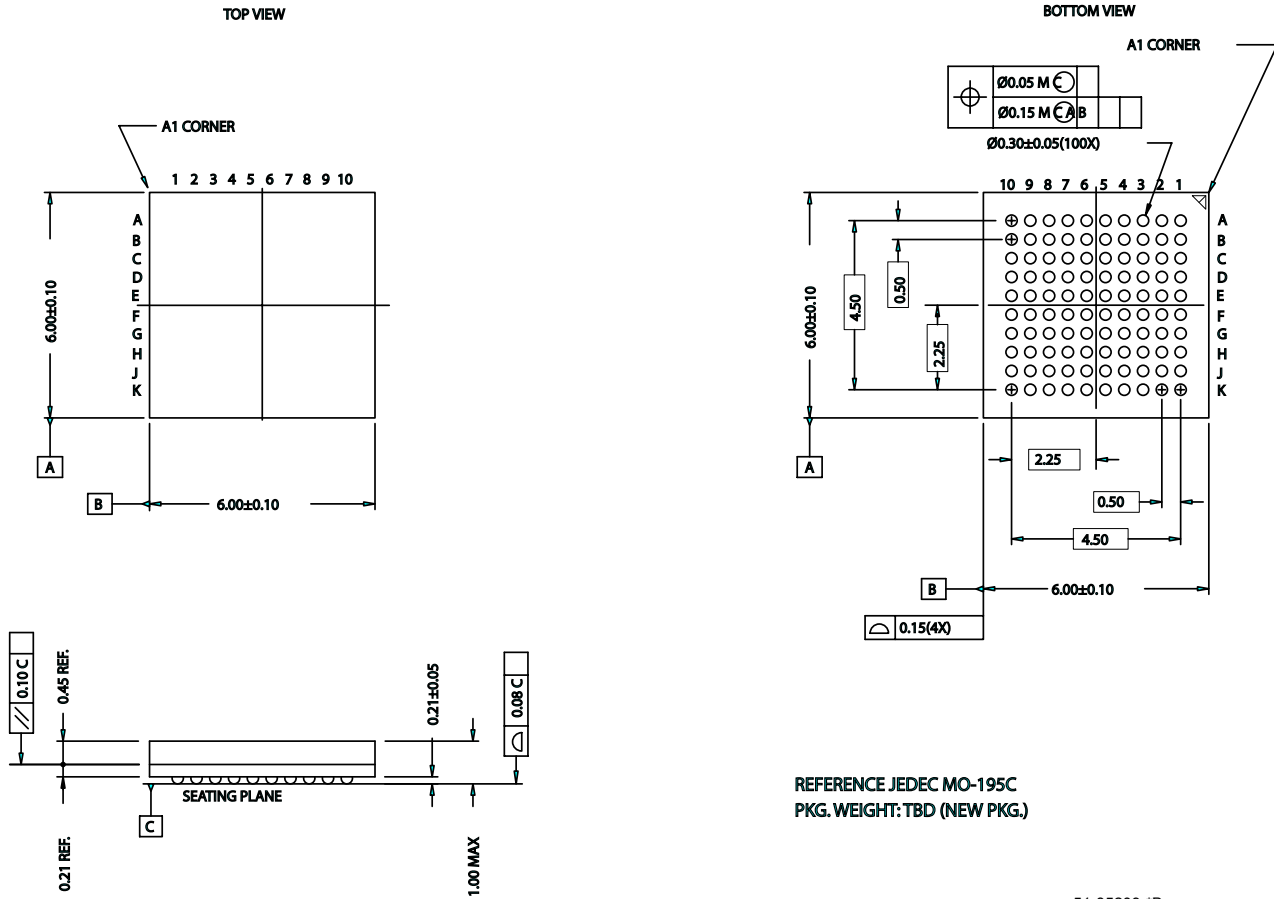
Speed (ns)	Ordering Code	Package Name	Package Type	Operating Range
35	CYDM128A08-35BVXC	BZ100	100-Ball Lead Free 0.5-mm Pitch BGA	Commercial
55	CYDM128A08-55BVXC	BZ100	100-Ball Lead Free 0.5-mm Pitch BGA	Commercial
55	CYDM128A08-55BVXI	BZ100	100-Ball Lead Free 0.5-mm Pitch BGA	Industrial

8K x8 1.8V Asynchronous Dual-Port SRAM

Speed (ns)	Ordering Code	Package Name	Package Type	Operating Range
35	CYDM064A08-35BVXC	BZ100	100-Ball Lead Free 0.5-mm Pitch BGA	Commercial
55	CYDM064A08-55BVXC	BZ100	100-Ball Lead Free 0.5-mm Pitch BGA	Commercial
55	CYDM064A08-55BVXI	BZ100	100-Ball Lead Free 0.5-mm Pitch BGA	Industrial

Package Diagram

100 VFBGA (6 x 6 x 1.0 mm) BZ100A



MoBL is a registered trademark of Cypress Semiconductor Corporation. All product and company names mentioned in this document are the trademarks of their respective holders.



Document History Page

Document Title: CYDM064A16/CYDM128A16/CYDM256A16/CYDM064A08/CYDM128A08 1.8V 4K/8K/16K x 16 and 8K/16K x 8 Dual-Port Static RAM
Document Number: 38-06081

REV.	ECN NO.	Issue Date	Orig. of Change	Description of Change
**	272872	SEE ECN	SPN	New data sheet
*A	300481	SEE ECN	SPN	Updated x8 pinout, added lead free information, updated part numbers, updated max. supply voltage to ground potential, added package drawing, added open drain output information for ODR, Updated t_{BDD} , updated package name
*B	333516	SEE ECN	SPN	Updated t_{INS} , t_{HZOE} , t_{HZCE} Updated note 32
*C	363174	SEE ECN	SPN	Added electrical characteristics for 2.5V and 3.0V Added timing values for 2.5V and 3.0V Updated ISB1 and ISB3 definition Added I_{CEX} for all voltages Added V_{OL} ODR for all voltages Removed Preliminary
*D	381701	SEE ECN	YDT	Updated t_{INS} and t_{INR} to 28ns Updated 2.5V/3.0V ICC, ISB1, ISB2, ISB4 Changed 2.5V VIL to 0.6V and 3.0V VIL to 0.7V (typo)
*E	396697	SEE ECN	KGH	Updated ISB2 and ISB4 typo to mA. Updated t_{INS} and t_{INR} for -55 to 31ns.
*F	404588	SEE ECN	KGH	Updated I_{OH} and I_{OL} values for the 2.5V and 3.0V parameters V_{OH} and V_{OL}