



LU3X54FT QUAD-FET (Fast Ethernet Transceiver) for 10Base-T/100Base-TX/FX

Introduction

The LU3X54FT is a four-channel, single-chip complete transceiver designed specifically for dual-speed 10Base-T, 100Base-TX, and 100Base-FX repeaters and switches. It supports simultaneous operation in three separate *IEEE* standard modes: 10Base-T, 100Base-TX, and 100Base-FX.

Each channel implements:

- 10Base-T transceiver function of *IEEE* 802.3.
- Physical coding sublayer (PCS) of *IEEE* 802.3u.
- Physical medium attachment (PMA) of *IEEE* 802.3u.
- Autonegotiation of *IEEE* 802.3u.
- MII management of *IEEE* 802.3u.
- Physical medium dependent (PMD) of *IEEE* 802.3.

The LU3X54FT supports operations over two pairs of unshielded twisted-pair (UTP) cable (10Base-T and 100Base-TX), and over fiber-optic cable (100Base-FX).

It has been designed with a flexible system interface that allows configuration for optimum performance and effortless design. The individual per-port interface can be configured as 100 Mbits/s MII, 10 Mbits/s MII, 7-pin 10 Mbits/s serial, or bused mode.

Features

10 Mbits/s Transceiver

- Compatible with *IEEE* * 802.3 10Base-T standard for twisted-pair cable

- Autopolarity detection and correction
- Adjustable squelch level for extended line length capability (two levels)
- Interfaces with *IEEE* 802.3u media independent interface (MII) or a serial 10 Mbits/s 7-pin interface
- On-chip filtering eliminates the need for external filters
- Half- and full-duplex operations

100 Mbits/s TX Transceiver

- Compatible with *IEEE* 802.3u MII (clause 22), PCS (clause 23), PMA (clause 24), autonegotiation (clause 28), and PMD (clause 25) specifications
- Scrambler/descrambler bypass
- Encoder/decoder bypass
- 3-statable MII in 100 Mbits/s mode
- Selectable carrier sense signal generation (CRS) asserted during either transmission or reception in half duplex (CRS asserted during reception only in full duplex)
- Selectable MII or 5-bit code group interface
- Full- or half-duplex operations
- Optional carrier integrity monitor (CIM)
- On-chip filtering and adaptive equalization that eliminates the need for external filters

* *IEEE* is a registered trademark of The Institute of Electrical and Electronics Engineers, Inc.

Note: Advisories are issued as needed to update product information. When using this data sheet for design purposes, please contact your Lucent Technologies Microelectronics Group Account Manager to obtain the latest advisory on this product.

Table of Contents

Contents	Page
Introduction	1
Features	1
10 Mbits/s Transceiver	1
100 Mbits/s TX Transceiver	1
100 Mbits/s FX Transceiver	4
General	4
Description	4
Bused MII Mode	4
Clocking	5
FX Mode	6
Functional Block Diagrams	7
Application Diagrams	9
Block Diagrams	11
Pin Information	13
Pin Diagram for Normal MII Mode	13
Pin Diagram for Bused MII Mode	14
Pin Maps	15
Pin Descriptions	16
MII Station Management	29
Basic Operations	29
MII Management Frames	29
Management Registers (MR)	30
Unmanaged Operations	40
Mode Select	40
Absolute Maximum Ratings (TA = 25 °C)	41
Electrical Characteristics	41
Package and Thermal Characteristics	42
Outline Diagram	52
208-Pin SQFP	52

Tables	Page
Table 1. LU3X54FT Crystal Specifications	6
Table 2. LU3X54FT Pin Maps	15
Table 3. MII/Serial Interface Pins in Normal MII Mode (Four Separate MII Ports)	16
Table 4. MII/Serial Interface Pins in Bused MII Mode	18
Table 5. MII Management Pins	22
Table 6. 10/100 Mbits/s Twisted-Pair (TP) Interface Pins	22
Table 7. Miscellaneous Pins	23
Table 8. MII Management Frame Format	29
Table 9. MII Management Frames Field Descriptions	29
Table 10. MII Management Registers (MR)	30
Table 11. MR0—Control Register Bit Descriptions	31
Table 12. MR1—Status Register Bit Descriptions	32
Table 13. MR2, 3—PHY Identifier Registers (1 and 2) Bit Descriptions	33
Table 14. MR4—Autonegotiation Advertisement Register Bit Descriptions	33
Table 15. MR5—Autonegotiation Link Partner (LP) Ability Register (Base Page) Bit Descriptions	34
Table 16. MR5—Autonegotiation Link Partner (LP) Ability Register (Next Page) Bit Descriptions	34
Table 17. MR6—Autonegotiation Expansion Register Bit Descriptions	35
Table 18. MR7—Next-Page Transmit Register Bit Descriptions	35

Table of Contents (continued)

Tables	Page
Table 19. MR28—Device-Specific Register 1 (Status Register) Bit Descriptions.....	36
Table 20. MR29—Device-Specific Register 2 (100 Mb/s Control) Bit Descriptions	37
Table 21. MR30—Device-Specific Register 3 (10 Mb/s Control) Bit Descriptions	38
Table 22. MR31—Device-Specific Register 4 (Quick Status) Bit Descriptions.....	39
Table 23. Output Pins	40
Table 24. LU3X54FT Modes.....	40
Table 25. Absolute Maximum Ratings	41
Table 26. Operating Conditions	41
Table 27. dc Characteristics	41
Table 28. Thermal Characteristics.....	42
Table 29. MII Management Interface Timing (25 pF Load).....	43
Table 30. MII Data Timing (25 pF Load).....	44
Table 31. Serial 10 Mb/s Timing for TPIN, CRS, and RX_CLK.....	46
Table 32. Serial 10 Mb/s Timing for TX_EN, TPOUT, CRS, and RX_CLK.....	46
Table 33. Serial 10 Mb/s Timing for TX_EN, TPIN, and COL	47
Table 34. Serial 10 Mb/s Timing for RX_CLK, CRS, RXD, TX_CLK, TX_EN, and TXD (25 pF Load).....	48
Table 35. Serial 10 Mb/s Timing for RX_CLK and TX_CLK (25 pF Load)	49
Table 36. 100 Mb/s MII Transmit Timing	50
Table 37. 100 Mb/s MII Receive Timing.....	51

Figures	Page
Figure 1. LU3X54FT Device Overview	7
Figure 2. LU3X54FT Single-Channel Detail Functions	8
Figure 3. Typical Single-Channel Twisted-Pair (TP) Interface	9
Figure 4. Typical Single-Channel Fiber-Optic Interface	10
Figure 5. Smart 10/100 Mb/s Bused MII Mode.....	11
Figure 6. Separate 10/100 Mb/s Bused MII Mode	12
Figure 7. LU3X54FT Pinout for Normal MII Mode.....	13
Figure 8. LU3X54FT Pinout for Bused MII Mode	14
Figure 9. Thermal Characteristics.....	42
Figure 10. MDIO Input Timing	43
Figure 11. MDIO Output Timing	43
Figure 12. MDIO During TA (Turnaround) of a Read Transaction	43
Figure 13. MII Timing Requirements for LU3X54FT	45
Figure 14. Serial 10 Mb/s Timing for TPIN, CRS, and RX_CLK.....	46
Figure 15. Serial 10 Mb/s Timing for TX_EN, TPOUT, CRS, and RX_CLK.....	46
Figure 16. Serial 10 Mb/s Timing for TX_EN, TPIN, and COL	47
Figure 17. Serial 10 Mb/s Timing for RX_CLK, CRS, RXD, TX_CLK, TX_EN, and TXD	48
Figure 18. Serial 10 Mb/s Timing Diagram for RX_CLK and TX_CLK	49
Figure 19. 100 Mb/s MII Transmit Timing	50
Figure 20. 100 Mb/s MII Receive Timing.....	51

Features (continued)

100 Mbits/s FX Transceiver

- Compatible with *IEEE* 802.3U 100Base-FX standard
- Reuses existing twisted-pair I/O pins for compatible fiber-optic transceiver pseudo-ECL (PECL) data:
 - No additional data pins required
 - Reuses existing LU3X54FT pins for fiber-optic signal detect (FOSD) inputs
- Fiber mode automatically configures port:
 - Disables autonegotiation
 - Disables 10Base-T
 - Enables 100Base-FX remote fault signaling
 - Disables MLT-3 encoder/decoder
 - Disables scrambler/descrambler
- FX mode enable is pin- or register-selectable on an individual per-port basis.

General

- Autonegotiation (*IEEE* 802.3u, clause 28):
 - Fast link pulse (FLP) burst generator
 - Arbitration function
- Bused interfaces:
 - Supports either separate 10 Mbits/s and 100 Mbits/s multipoint repeaters (100 Mbits/s MII and 10 Mbits/s serial data stream), or single-chip multispeed repeaters
 - Connects ports to either the 10 Mbits/s or 100 Mbits/s buses controlled by autonegotiation
 - Separate TX_EN, RX_EN, CRS, and COL pins for each port
 - Drivers on bused signal can drive up to eight LU3X54FTs (32 ports)
- Supports the station management protocol and frame format (clause 22):
 - Basic and extended registers
 - Supports next-page function
 - Operates up to 12.5 MHz
 - Accepts preamble suppression
 - Maskable status interrupts
- Supports the following management functions via pins if MII station management is unavailable:
 - Speed select
 - Carrier integrity enable
 - Encoder/decoder bypass
 - Scrambler/descrambler bypass
 - Full duplex
 - No link pulse mode
 - Carrier sense select
 - Autonegotiation

- 10 Mbits/s repeater reference select
- Internal 20 MHz clock synthesizer
- FX mode select
- Single 25 MHz crystal input or 25 MHz clock input, optional 20 MHz clock input
- Supports half- and full-duplex operations
- Provides six status signals:
 - Receive activity
 - Transmit activity
 - Full duplex
 - Collision/jabber
 - Link integrity
 - Speed indication
- Optional LED pulse stretching
- Per-channel powerdown mode for 10 Mbits/s and 100 Mbits/s operation
- Loopback for 10 Mbits/s and 100 Mbits/s operation
- Internal pull-up or pull-down resistors to set default powerup mode
- 0.35 μ m, low-power CMOS technology
- 208-pin SQFP or 208-pin SQFPH
- Single 5 V power supply

Description

Bused MII Mode

The LU3X54FT has been designed for operation in two basic system interface modes of operation:

- **Normal MII Mode (Four Separate MII Ports).** The separate mode provides four independent RJ-45 to MII ports and is similar to having four independent 10/100 transceivers.
- **Bused MII Mode.** This mode is designed specifically for repeater applications to save pins. In bused mode:
 - Data from all of the ports operating at 100 Mbits/s will be internally bused to system interface port A (100 Mbits/s MII interface).
 - Data from all of the ports operating at 10 Mbits/s will be internally bused to system interface port B (7-pin 10 Mbits/s serial interface).

The LU3X54FT will automatically detect the speed of each port (10 Mbits/s or 100 Mbits/s) and route the data to the appropriate port.

Description (continued)

Bused MII Mode (continued)

The bused mode has two additional submodes of operation:

- **Separate Bused MII Mode.** This mode is designed to operate with two independent repeater ICs, one repeater operating at 100 Mbps and the other operating at 10 Mbps.

Figure 6 shows a block diagram of this mode in which separate pins (four of each) are used for COL_10(4), COL_100(4), CRS_10(4), CRS_100(4), RX_EN10(4), RX_EN100(4), TX_EN10 (4), and TX_EN100(4).

The signals RX_CLK10, RXD_10, TX_CLK10, and TXD_10 (all from ports A, B, C, and D) are internally bused together and connected to MII port B.

The signals TX_CLK25, TXD_100[3:0], TX_ER, RX_CLK25, RXD_100[3:0], RX_DV, and RX_ER (all from ports A, B, C, D) are internally bused together and connected to MII port A.

The repeater ICs will enable the particular port to which it will communicate by enabling the port with TX_EN 10, TX_EN100, RX_EN10, or RX_EN100.

- **Smart Bused MII Mode.** This mode is used when the LU3X54FT is communicating with a single (smart) 10/100 Mbps repeater IC, and allows the use of the security feature.

Figure 5 shows a block diagram of the smart bused mode of operation. In this mode, a common set of pins is used for CRS10/100, RX_EN10/100, TX_EN10/100, and COL_10/100.

The 10 Mbps (7-pin 10 Mbps serial interface) signals are still routed to port B (RX_CLK10, RXD_10, TX_CLK10, and TXD_10).

The 100 Mbps signals are still routed to port A (TX_CLK25, TXD_100[3:0], TX_ER, RX_CLK25, RXD_100[3:0], RX_DV, and RX_ER).

The bused interface allows each of the four transceivers to be connected to one of two system interfaces:

- Port A: 100 Mbps MII interface.
- Port B: 7-pin 10 Mbps serial interface.

This configuration allows 10/100 Mbps segment segmentation or port switching with conventional multiport shared-media repeaters.

The port speed configuration and connection to the appropriate bused output is done automatically and is controlled by autonegotiation.

Figure 1 gives a functional overview of the LU3X54FT while Figure 2 details its single-channel functions.

Figure 3 shows how the LU3X54FT single channel interfaces to the twisted pair (TP).

Clocking

The LU3X54FT requires an internal 25 MHz clock and a 20 MHz clock to run the 100Base-TX transceiver and 10Base-T transceiver.

These clocks can be supplied as follows:

- As separate clock inputs: 25 MHz and 20 MHz.
- The 20 MHz clock can be internally synthesized from the 25 MHz clock.
- The 25 MHz clock can also be internally generated by an on-chip oscillator if an external crystal is supplied.

The LU3X54FT will automatically detect if a 25 MHz clock is supplied, or if a crystal is being used to generate the 25 MHz clock.

Description (continued)

Clocking (continued)

Either the on-chip 20 MHz clock synthesizer (default clock) can be used, or H-DUPLED[A]/CLK20_SEL (pin 198) can be pulled high (sensed on powerup and reset) to select the external 20 MHz clock input.

The crystal specifications for the device are listed in Table 1, and the crystal circuit is shown in Figure 3 and Figure 4.

Table 1. LU3X54FT Crystal Specifications

Parameter	Requirement
Type	Quartz Fundamental Mode
Frequency	25 MHz
Stability	±25 ppm, 0 °C—70 °C
Shunt Capacitor	7 pF
Load Capacitor	20 pF
Series Resistance	<30 Ω

FX Mode

Each individual port of the LU3X54FT can be operated in 100Base-FX mode by selecting it through the pin program option (RXLED[D:A]/FX_MODE_EN[D:A], or through the register bit (register 29, bit 0). FX mode can operate in full or half duplex. Each individual channel's duplex can be set by register zero bit eight (0.8) or all ports duplex can be hardware configured at power up or rest by pin 201 FULL_DUP.

When operating in FX mode, the twisted-pair I/O pins are reused as the fiber-optic transceiver I/O data pins, and the fiber-optic signal detect (FOSD) inputs are enabled.

Figure 4 shows a typical FX port interface. Note that no additional external components, excluding those needed by the fiber transceiver, are required.

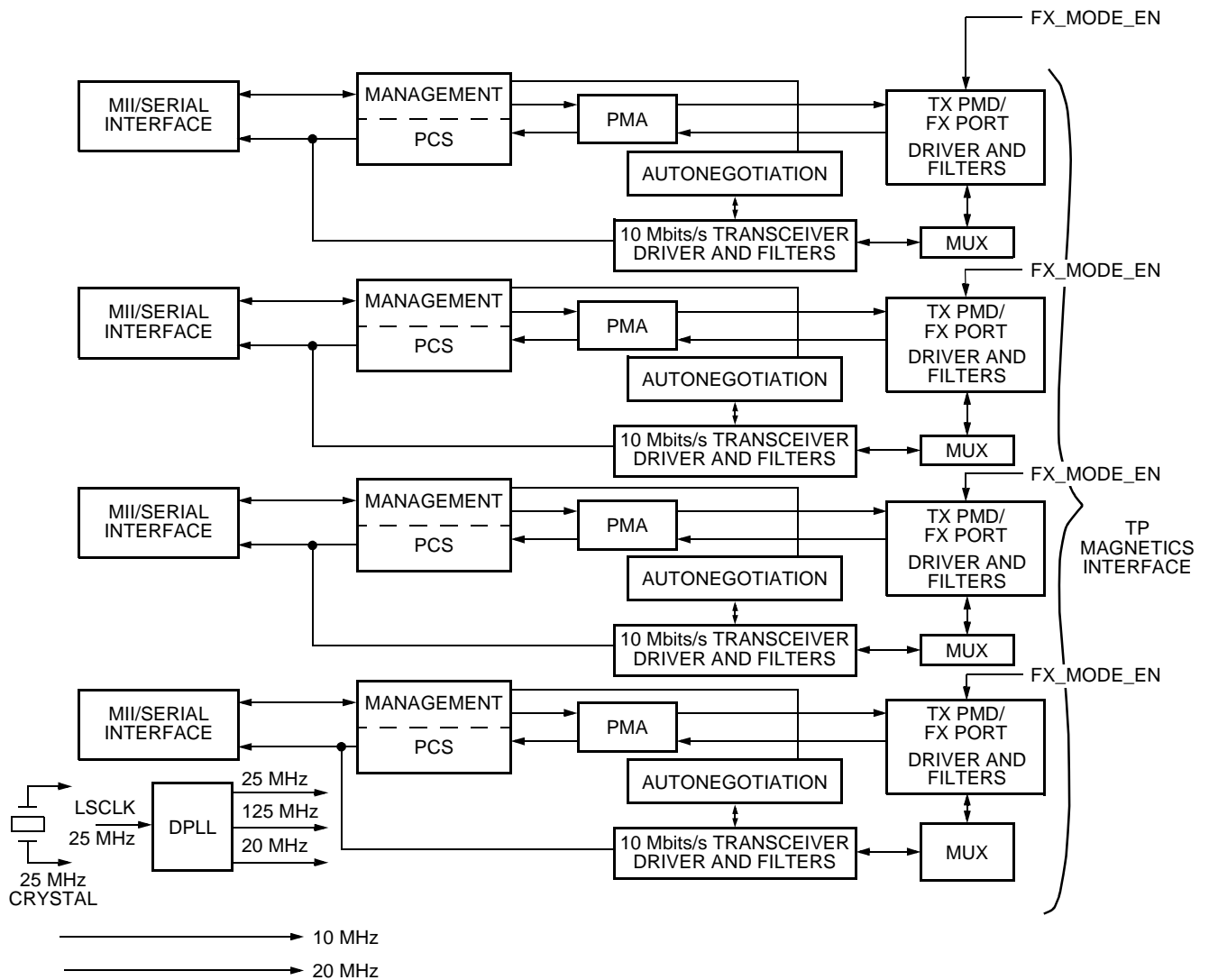
When a port is placed in FX mode, it will automatically configure the port for 100Base-FX operation (and the register bit control will be ignored) such that:

- The far-end fault signaling option will be enabled.
- The MLT-3 encoding/decoding will be disabled.
- Scrambler/descrambler will be disabled.
- Autonegotiation will be disabled.
- The signal detect inputs will be activated.
- 10Base-T will be disabled.

Description (continued)

Functional Block Diagrams

Device Overview



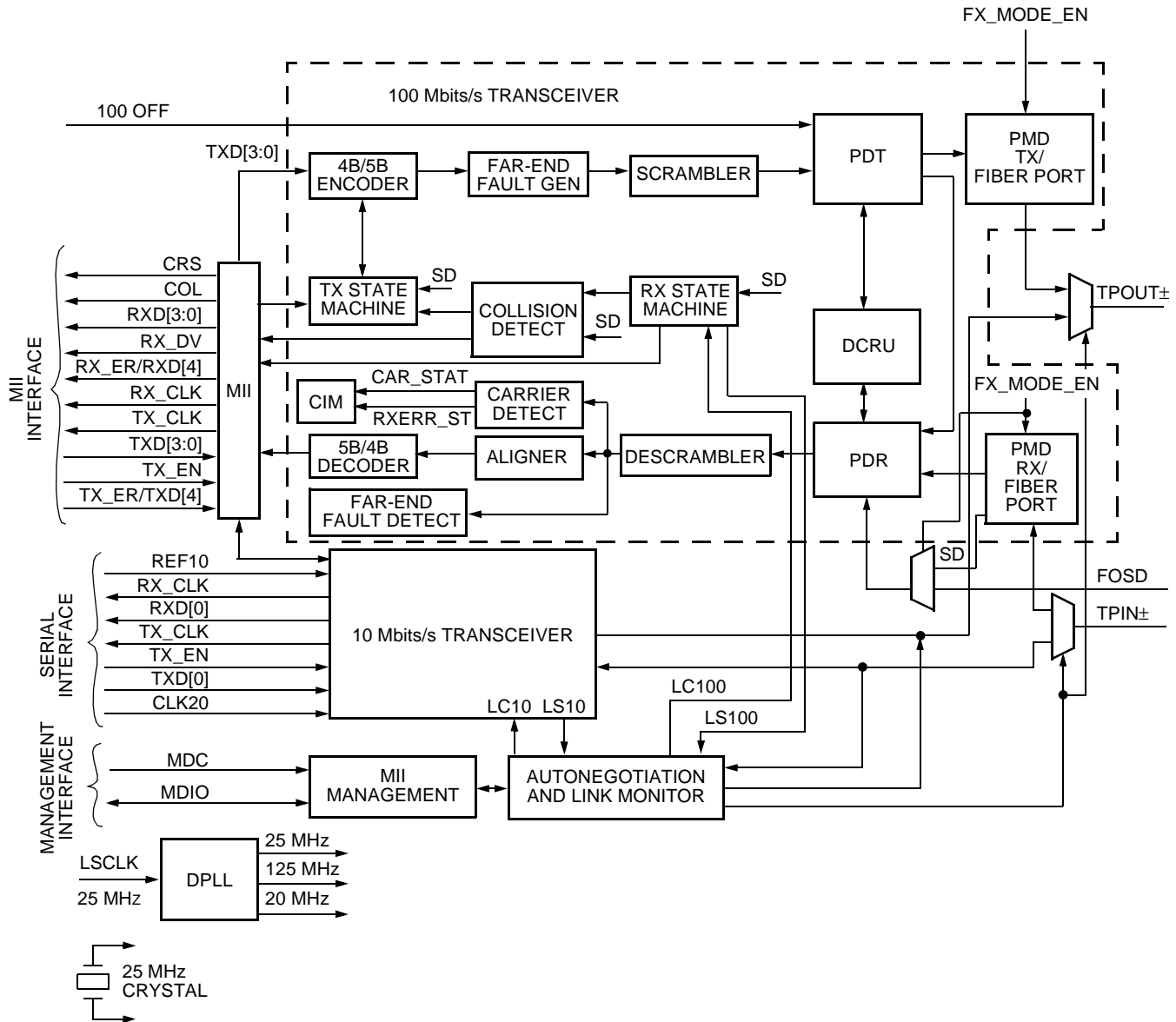
5-5137(F).fr2

Figure 1. LU3X54FT Device Overview

Description (continued)

Functional Block Diagrams (continued)

Single-Channel Detail Functions



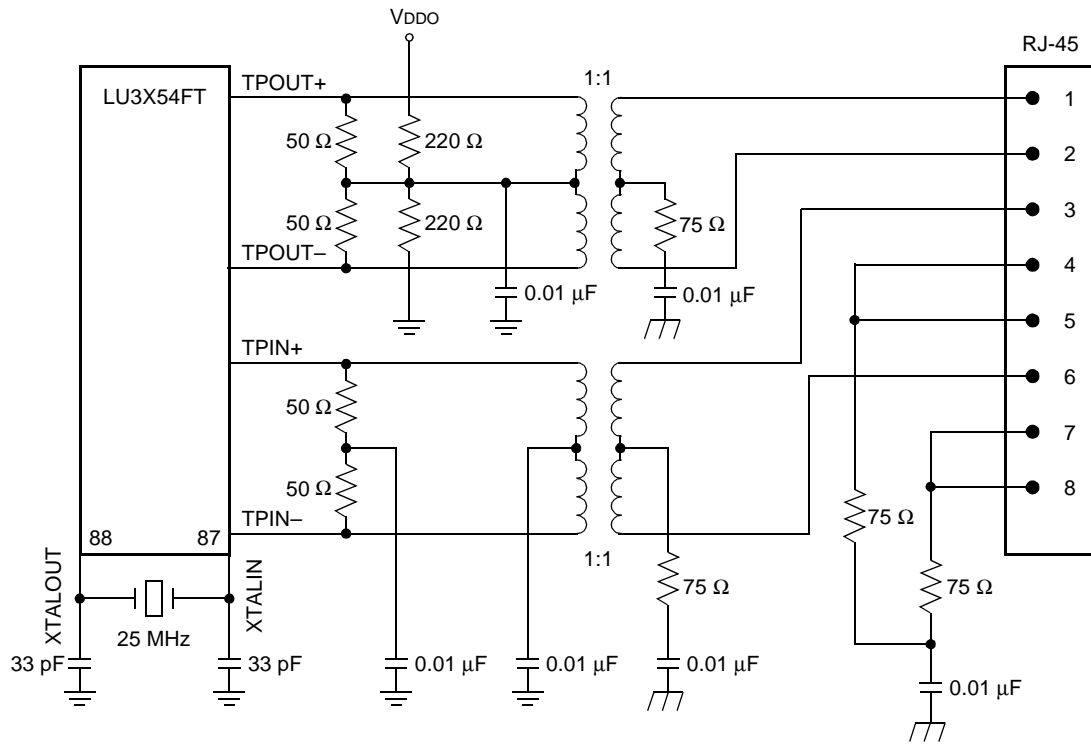
5-5136(F).gr4

Figure 2. LU3X54FT Single-Channel Detail Functions

Description (continued)

Application Diagrams

Single-Channel Twisted-Pair Interface



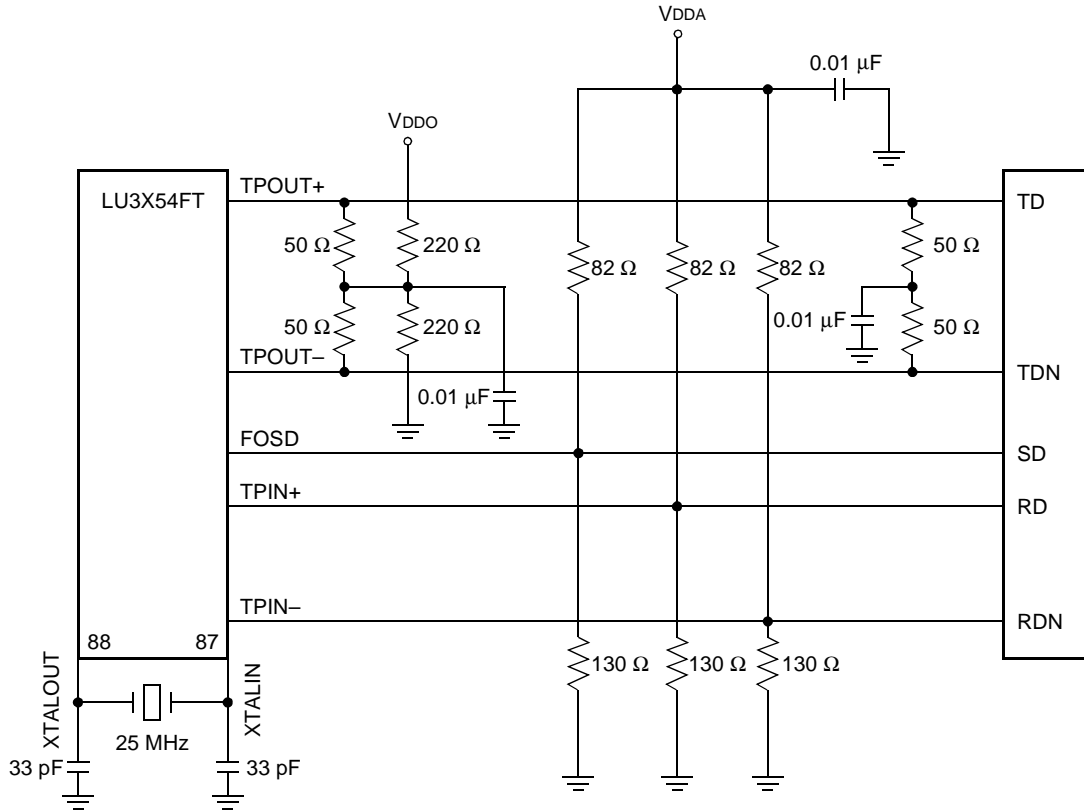
5-5433(F).r9

Figure 3. Typical Single-Channel Twisted-Pair (TP) Interface

Description (continued)

Application Diagrams (continued)

Single-Channel Fiber-Optic Interface



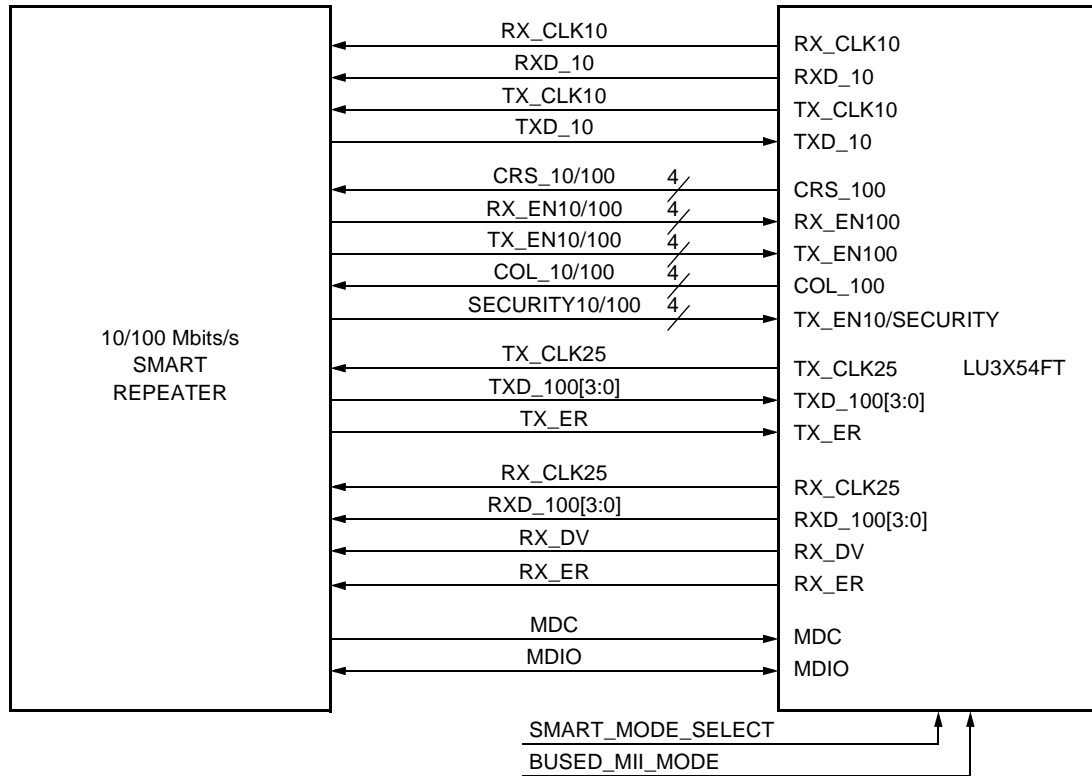
5-5433(F).dr2

Figure 4. Typical Single-Channel Fiber-Optic Interface

Description (continued)

Block Diagrams

Smart Bused MII Mode



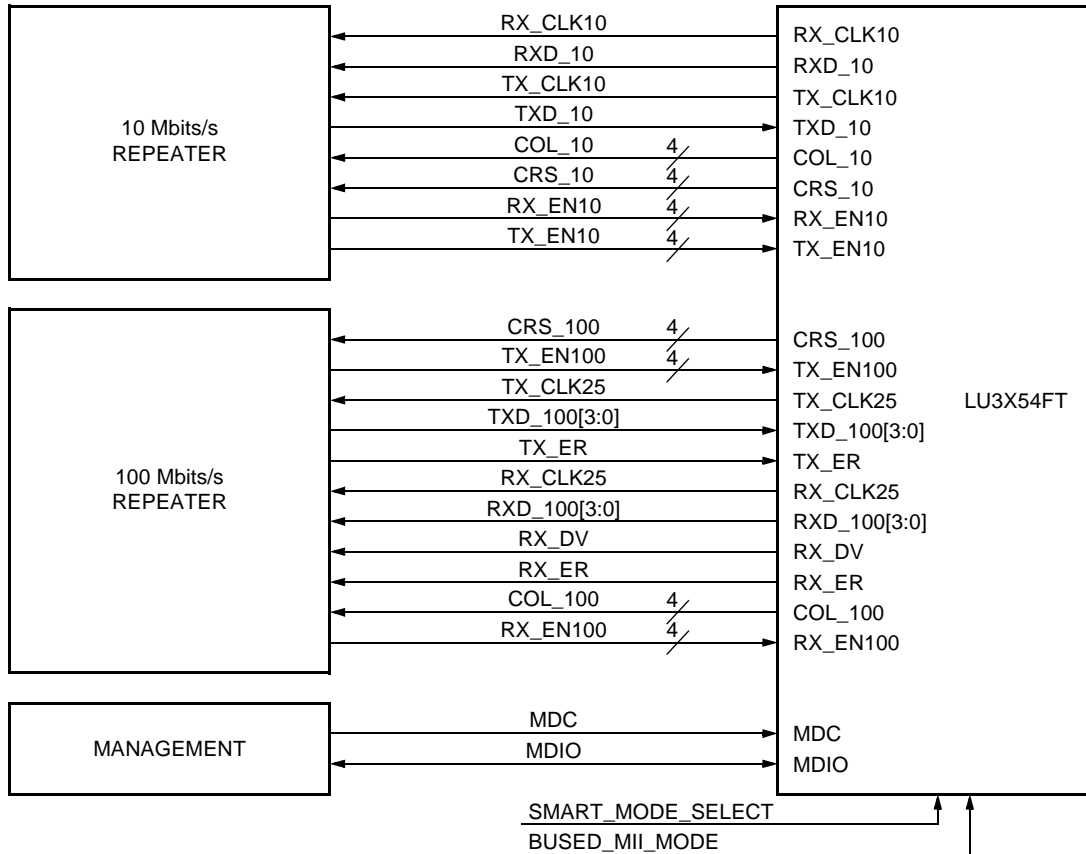
5-5599.br2

Figure 5. Smart 10/100 Mbps/s Bused MII Mode

Description (continued)

Block Diagrams (continued)

Separate Bused MII Mode



5-5599.ar5

Figure 6. Separate 10/100 Mbps/s Bused MII Mode

Pin Information

Pin Diagram for Normal MII Mode

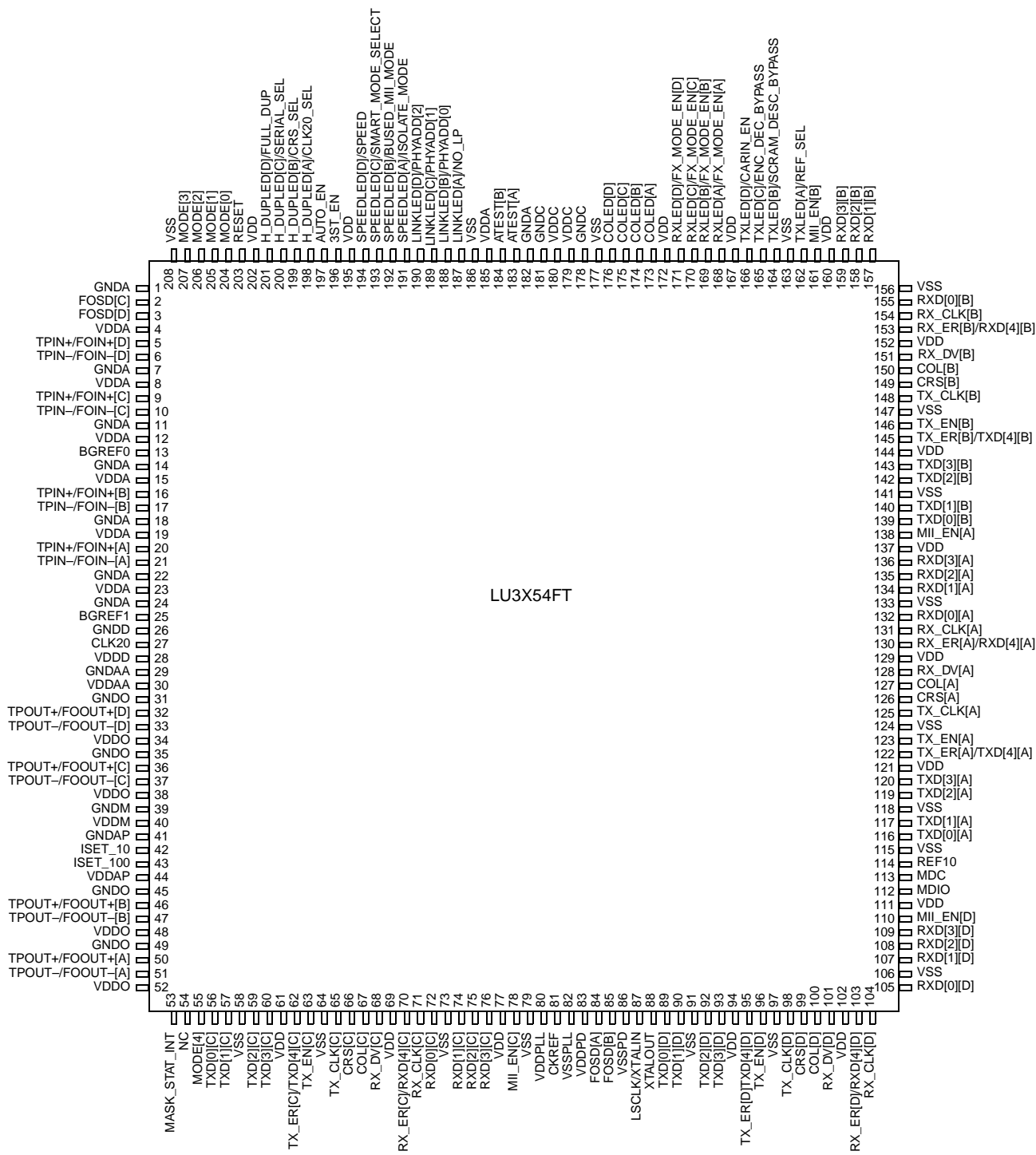


Figure 7. LU3X54FT Pinout for Normal MII Mode

Pin Information (continued)

Pin Maps

Table 2. LU3X54FT Pin Maps

Normal Mode Pins	Bused Mode Pins	10/100 Mbps/s Smart Mode Pins	Separate Mode Pins
RXD[D][3:0]	CRS_10[D:A]	Not used	CRS_10
CRS[D:A]	CRS_100[D:A]	CRS_10 and CRS_100	CRS_100
TXD[C][3:0]	RX_EN10[D:A]	Not used	RX_EN10
MII_EN[D:A]	RX_EN100[D:A]	RX_EN10 and RX_EN100	RX_EN100
TXD[3:0][D]	TX_EN10[D:A]	SECURITY_10 and SECURITY_100	TX_EN10
TX_EN[D:A]	TX_EN100[D:A]	TX_EN10 and TX_EN100	TX_EN100
RXD[3:0][C]	COL_10[D:A]	Not used	COL_10
COL[D:A]	COL_100[D:A]	COL_10 and COL_100	COL_100
SPEEDLED[C]	SMART_MODE_SELECT	SMART_MODE_SELECT	SMART_MODE_SELECT
SPEEDLED[B]	BUSED_MII_MODE	BUSED_MII_MODE	BUSED_MII_MODE
TX_CLK[A]	TX_CLK25	TX_CLK25	TX_CLK25
TX_CLK[B]	TX_CLK10	TX_CLK10	TX_CLK10
RX_CLK[B]	RX_CLK10	RX_CLK10	RX_CLK10
RX_CLK[A]	RX_CLK25	RX_CLK25	RX_CLK25
RXD[B][0]	RXD_10	RXD_10	RXD_10
RXD[3:0][A]	RXD_100[3:0]	RXD_100	RXD_100
RX_DV[A]	RX_DV	RX_DV	RX_DV
RX_ER[A]	RX_ER	RX_ER	RX_ER
TXD[B][0]	TXD_10	TXD_10	TXD_10
TXD[A][3:0]	TXD_100[3:0]	TXD_100	TXD_100
TX_ER[A]	TX_ER	TX_ER	TX_ER

Pin Information (continued)

Pin Descriptions

This section describes the LU3X54FT signal pins. Note that any register bit referenced includes the register number and bit position. For example, register bit [29.8] is register 29, bit 8.

Table 3. MII/Serial Interface Pins in Normal MII Mode (Four Separate MII Ports)

Pin	Signal	Type	Description
100 67 150 127	COL[D:A]	O	Collision Detect. This signal signifies in half-duplex mode that a collision has occurred on the network. COL is asserted high whenever there is transmit and receive activity on the UTP media. COL is the logical AND of TX_EN and receive activity, and is an asynchronous output. When SERIAL_SEL is high and in 10Base-T mode, this signal indicates the jabber timer has expired.
99 66 149 126	CRS[D:A]	O	Carrier Sense. When CRS_SEL is low, this signal is asserted high when either the transmit or receive medium is nonidle. This signal remains asserted throughout a collision condition. When CRS_SEL is high, CRS is asserted on receive activity only. CRS_SEL is set via the MII management interface or the CRS_SEL pin.
104 71 154 131	RX_CLK[D:A]	O	Receive Clock. 25 MHz clock output in 100 Mbits/s mode, 2.5 MHz output in 10 Mbits/s nibble mode, 10 MHz in 10 Mbits/s serial mode. RX_CLK has a worst-case 45/55 duty cycle. RX_CLK provides the timing reference for the transfer of RX_DV, RXD, and RX_ER signals.
109 76 159 136 108 75 158 135 107 74 157 134 105 72 155 132	RXD[3:0][D:A]	O	Receive Data. 4-bit parallel data outputs that are synchronous to RX_CLK. When RX_ER[D:A] is asserted high in 100 Mbits/s mode, an error code will be presented on RXD[3:0][D:A] where appropriate. The codes are as follows: <ul style="list-style-type: none"> ■ Packet errors: ERROR_CODES = 2h. ■ Link errors: ERROR_CODES = 3h. (Packet and link error codes will only be repeated if registers [29.9] and [29.8] are enabled.) ■ Premature end errors: ERROR_CODES = 4h. ■ Code errors: ERROR_CODES = 5h. When SERIAL_SEL is active-high and 10 Mbits/s mode is selected, RXD[0] is used for data output and RXD[3:1] are 3-stated.
101 68 151 128	RX_DV[D:A]	O	Receive Data Valid. When this pin is high, it indicates the LU3X54FT is recovering and decoding valid nibbles on RXD[3:0], and the data is synchronous with RX_CLK. RX_DV is synchronous with RX_CLK. This pin is not used in serial 10 Mbits/s mode.
103 70 153 130	RX_ER[D:A]/ RXD[4][D:A]	O	Receive Error. When high, RX_ER indicates the LU3X54FT has detected a coding error in the frame presently being transferred. RX_ER is synchronous with RX_CLK. Receive Data[4]. When encoder/decoder bypass (ENC_DEC_BYPASS) is selected through the MII management interface, this output serves as the RXD[4] output. This pin is only valid when the LU3X54FT is in 100 Mbits/s mode.

Pin Information (continued)

Pin Descriptions (continued)

Table 3. MII/Serial Interface Pins in Normal MII Mode (Four Separate MII Ports) (continued)

Pin	Signal	Type	Description
98 65 148 125	TX_CLK[D:A]	O	Transmit Clock. 25 MHz clock output in 100 Mbps/s mode, 2.5 MHz output in 10 Mbps/s MII mode, 10 MHz output in 10 Mbps/s serial mode. TX_CLK provides timing reference for the transfer of the TX_EN, TXD, and TX_ER signals sampled on the rising edge of TX_CLK.
93, 60 143, 120 92, 59 142, 119 90, 57 140, 117 89, 56 139, 116	TXD[3:0][D:A]	I	Transmit Data. 4-bit parallel input synchronous with TX_CLK. When SERIAL_SEL is active-high and 10 Mbps/s mode is selected, only TXD[0][D:A] are valid.
96 63 146 123	TX_EN[D:A]	I	Transmit Enable. When driven high, this signal indicates there is valid data on TXD[3:0]. TX_EN is synchronous with TX_CLK. When SERIAL_SEL is active-high and 10 Mbps/s mode is selected, this pin indicates there is valid data on TXD[0].
95 62 145 122	TX_ER[D:A]/ TXD[4][D:A]	I	Transmit Coding Error. When driven high, this signal causes the encoder to intentionally corrupt the byte being transmitted across the MII (00100 will be transmitted). Transmit Data[4]. When the encoder/decoder bypass bit is set, this input serves as the TXD[4] input. When in 10 Mbps/s mode and SERIAL_SEL is active-high, this pin is ignored.
110 78 161 138	MII_EN[D:A]	I	MII Enable. For normal MII mode of operation (nonbused mode), MII_EN for each channel must be tied high to enable each individual port being used.

Pin Information (continued)

Pin Descriptions (continued)

When operating in bused MII mode, 100 Mbps data is bused to MII port A, and 10 Mbps data is bused to MII port B.

Table 4. MII/Serial Interface Pins in Bused MII Mode

Pin	Signal	Type	Description
125	TX_CLK25	O	Shared Transmit Clock (25 MHz). 25 MHz clock output in 100 Mbps mode. TX_CLK25 provides timing reference for the transfer of the TX_EN100, TXD_100, and TX_ER signals that are sampled on the rising edge of TX_CLK25.
148	TX_CLK10	O	Shared Transmit Clock (10 MHz). 10 MHz clock output in 10 Mbps serial mode. TX_CLK10 provides timing reference for the transfer of the TX_EN10 and TXD_10 signals that are sampled on the rising edge of TX_CLK10. When operating in 10 Mbps bused mode, the REF10 input clock must be used, and the REF_SEL pin must be pulled high through a 4.7 kΩ resistor (TXLED[A] pin).
109 108 107 105	CRS_10[D:A]	O	Carrier Sense—10 Mbps Mode. When CRS_SEL is low, this signal is asserted high when either the transmit or receive medium is nonidle. This signal remains asserted throughout a collision condition. When CRS_SEL is high, CRS_10 is asserted on receive activity only. CRS_SEL is set via the MII management interface or the CRS_SEL pin. When SMART_MODE_SELECT is asserted, the LU3X54FT will internally OR together the CRS_10 and the CRS_100 signals and output them on the CRS_100 signals.
99 66 149 126	CRS_100[D:A]/ CRS_10/100[D:A]	O	Carrier Sense—100 Mbps Mode. When CRS_SEL is low, this signal is asserted high when either the transmit or receive medium is nonidle. This signal remains asserted throughout a collision condition. When CRS_SEL is high, CRS_100 is asserted on receive activity only. CRS_SEL is set via the MII management interface or the CRS_SEL pin. Carrier Sense—10/100 Mbps Smart Mode. When SMART_MODE_SELECT is asserted, the LU3X54FT will internally OR together the CRS_10 and the CRS_100 signals and output them on the CRS_100 signals.
154	RX_CLK10	O	Shared Receive Clock. 10 MHz clock output in 10 Mbps serial mode. RX_CLK10 has a worst-case 45/55 duty cycle. RX_CLK10 provides the timing reference for the transfer of RXD_10 when in the 10 Mbps mode. This signal is sampled on the rising edge of RX_CLK10.
131	RX_CLK25	O	Shared Receive Clock. 25 MHz clock output in the 100 Mbps mode. RX_CLK25 has a worst-case 45/55 duty cycle. RX_CLK25 provides the timing reference for the transfer of RX_DV, RXD_100, and RX_ER signals when in the 100 Mbps mode. These signals are sampled on the rising edge of RX_CLK100.
155	RXD_10	O	Shared Receive Data. Serial data output that is synchronous to the falling edge of RX_CLK10.

Pin Information (continued)

Pin Descriptions (continued)

When operating in bused MII mode, 100 Mbps data is bused to MII port A, and 10 Mbps data is bused to MII port B.

Table 4. MII/Serial Interface Pins in Bused MII Mode (continued)

Pin	Signal	Type	Description
136 135 134 132	RXD_100[3:0]	O	<p>Shared Receive Data. 4-bit parallel data outputs that are synchronous to the falling edge of RX_CLK25. When RX_ER is asserted high, an error code will be presented on RXD_100[3:0] where appropriate. The codes are as follows:</p> <ul style="list-style-type: none"> ■ Packet errors, ERROR_CODES = 2h. ■ Link errors, ERROR_CODES = 3h (packet and link error codes will only be repeated if registers [29.9] and [29.8] are enabled). ■ Premature end errors, ERROR_CODES = 4h. ■ Code errors, ERROR_CODES = 5h.
60 59 57 56	RX_EN10[D:A]	I	<p>Receive Enable—10 Mbps Mode. When SMART_MODE_SELECT is not enabled and RX_EN10 is driven high, its channel's data and clock (RXD0 and RX_CLK) are driven onto the shared serial bus. If the individual channel is not configured for 10 Mbps mode, this input will be ignored. When RX_EN10s are all set low, the serial bus will float.</p> <p>Note: Care should be taken that no more than one RX_EN is asserted at a time.</p> <p>When SMART_MODE_SELECT is enabled, these pins are ignored.</p>
110 78 161 138	RX_EN100[D:A]/ RX_EN10/100[D:A]	I	<p>Receive Enable—100 Mbps Mode. When SMART_MODE_SELECT is not enabled and RX_EN100 is driven high, its channel's data, clock, and receive data valid signals (RXD_100, RX_DV, RX_ER, and RX_CLK25) are driven onto the shared MII bus. If the individual channel is not configured for 100 Mbps mode, this input will be ignored. When RX_EN100s are all set low, the MII bus will float.</p> <p>Note: Care should be taken that no more than one RX_EN is asserted at a time.</p> <p>Receive Enable—10/100 Mbps Smart Mode. When SMART_MODE_SELECT is asserted and RX_EN100 is driven high, its channel's data, clock, and receive data valid signals [RXD, RX_ER (100 Mbps/s only), RX_DV (100 Mbps/s only), and RX_CLK] are driven onto the shared bus corresponding to the speed of the channel.</p>
128	RX_DV	O	<p>Shared Receive Data Valid. When this pin is driven high, it indicates that the LU3X54FT is recovering and decoding valid nibbles on RXD[3:0] and that the data is synchronous with RX_CLK. RX_DV is synchronous with RX_CLK. This pin is not used in serial 10 Mbps/s mode.</p>
130	RX_ER	O	<p>Shared Receive Error. When asserted high, it indicates that the LU3X54FT has detected a coding error in the frame presently being transferred. RX_ER is synchronous with RX_CLK25. This signal is not used in 10 Mbps/s mode.</p>
139	TXD_10	I	<p>Shared Transmit Data. 10 Mbps/s serial input synchronous with TX_CLK10.</p>
120 119 117 116	TXD_100[3:0]	I	<p>Shared Transmit Data. 4-bit parallel input synchronous with TX_CLK25.</p>

Pin Information (continued)

Pin Descriptions (continued)

When operating in bused MII mode, 100 Mbps data is bused to MII port A, and 10 Mbps data is bused to MII port B.

Table 4. MII/Serial Interface Pins in Bused MII Mode (continued)

Pin	Signal	Type	Description
93 92 90 89	TX_EN10[D:A]/ SECURITY_10/100	I	<p>Transmit Enable—10 Mbps Mode. When driven high, this signal indicates that there is valid data on TXD when the corresponding channel is in 10 Mbps serial mode.</p> <p>Security for 10/100 Mbps Smart Mode. When SMART_MODE_SELECT is enabled, these pins are redefined to be the security input pins for both 10 Mbps and 100 Mbps. When security is activated, the LU3X54FT will ignore the transmit data, and a fixed pattern is transmitted (all 1s for 10Base-T, alternating 1, 0 for 100TX).</p> <p>Security should not be asserted until after the entire preamble has been transmitted. When in smart mode, the 10 Mbps transmit channels will be enabled through the TX_EN100 inputs.</p>
96 63 146 123	TX_EN100[D:A]/ TX_EN10/100	I	<p>Transmit Enable—100 Mbps Mode. When SMART_MODE_SELECT is not enabled and TX_EN100 is driven high, this signal indicates that there is valid data on TXD_100[3:0] when in 100 Mbps mode. If the individual channel is not configured for 100 Mbps mode, this input will be ignored.</p> <p>Transmit Enable—10/100 Mbps Smart Mode. When SMART_MODE_SELECT is asserted and TX_EN100 is driven high, this signal indicates that its channel's input data is valid. The input data is selected by the speed of the corresponding channel.</p>
122	TX_ER	I	<p>Shared Transmit Coding Error. When asserted high, this signal causes the encoder to intentionally corrupt the byte being transmitted across the MII (00100 will be transmitted). This signal is not used in 10 Mbps mode.</p>
76 75 74 72	COL_10[D:A]	O	<p>Collision Detect for 10 Mbps Mode. In half-duplex mode, this signal signifies that a collision has occurred on the network. COL_10 is asserted high whenever there is transmit and receive activity on the UTP media. COL_10 is the logical AND of TX_EN and receive activity, and it is an asynchronous output.</p> <p>When SERIAL_SEL is high and in 10Base-T mode, this signal indicates that the jabber timer has expired. When SMART_MODE_SELECT is asserted, the LU3X54FT will internally OR together the COL_10 and COL_100 signals and output them on the COL_100 pins.</p>
100 67 150 127	COL_100[D:A]/ COL_10/100[D:A]	O	<p>Collision Detect for 100 Mbps Mode. In half-duplex mode, this signal signifies that a collision has occurred on the network. COL_100 is asserted high whenever there is transmit and receive activity on the UTP media. COL_100 is the logical AND of TX_EN and receive activity, and it is an asynchronous output.</p> <p>Collision Detect for 10/100 Mbps Smart Mode. When SERIAL_SEL is high and in 10Base-T mode, this signal indicates that the jabber timer has expired. When SMART_MODE_SELECT is asserted, the LU3X54FT will internally OR together the COL_10 and COL_100 signals and output them on the COL_100 pins.</p>

Pin Information (continued)

Pin Descriptions (continued)

When operating in bused MII mode, 100 Mbits/s data is bused to MII port A, and 10 Mbits/s data is bused to MII port B.

Table 4. MII/Serial Interface Pins in Bused MII Mode (continued)

Pin	Signal	Type	Description
65 68 70 71 98 101 103 104	NC	O	No Connect. Do not connect these pins.
62 95 140 142 143 145 151 153 157 158 159	NC	I	No Connect. These inputs should be grounded.

Pin Information (continued)

Pin Descriptions (continued)

Table 5. MII Management Pins

Pin	Signal	Type	Description
113	MDC	I	Management Data Clock. This is the timing reference for the transfer of data on the MDIO signal. This signal may be asynchronous to RX_CLK and TX_CLK. The maximum clock rate is 12.5 MHz. When running MDC above 6.25 MHz, MDC must be synchronous with LSCLK and have a setup time of 15 ns and a hold time of 5 ns with respect to LSCLK. When using an external crystal instead of an LSCLK input, the maximum MDC rate is 6.25 MHz.
112	MDIO	I/O	Management Data Input/Output. This I/O is used to transfer control and status information between the LU3X54FT and the station management. Control information is driven by the station management synchronous with MDC. Status information is driven by the LU3X54FT synchronous with MDC. This pin requires an external 1.5 kΩ pull-up resistor.
53	MASK_STAT_INT	O	Maskable Status Interrupt. This pin will go high whenever there is a change in status as defined in Table 22.

Table 6. 10/100 Mbps Twisted-Pair (TP) Interface Pins

Pin	Signal	Type	Description
5 9 16 20	TPIN+/ FOIN+[D:A]	I	Received Data. Positive differential received 125 Mbaud MLT3, or 10 Mbaud Manchester data from magnetics. Fiber-Optic Data Input. Positive differential received 125 Mbaud pseudo-ECL data from fiber transceiver.
6 10 17 21	TPIN-/ FOIN-[D:A]	I	Received Data. Negative differential received 125 Mbaud MLT3 or 10 Mbaud Manchester data from magnetics. Fiber-Optic Data Input. Negative differential received 125 Mbaud pseudo-ECL data from fiber transceiver.
32 36 46 50	TPOUT+/ FOOUT+[D:A]	O	Transmit Data. Positive differential transmit 125 Mbaud MLT3, or 10 Mbaud Manchester data to magnetics. Fiber-Optic Data Output. Positive differential transmit 125 Mbaud pseudo-ECL compatible data to fiber transceiver.
33 37 47 51	TPOUT-/ FOIN-[D:A]	O	Transmit Data. Negative differential transmit 125 Mbaud MLT3, 10 Mbaud Manchester data to magnetics. Fiber-Optic Data Output. Negative differential transmit 125 Mbaud pseudo-ECL compatible data to fiber transceiver.
3 2 85 84	FOSD[D:A]	I	Fiber-Optic Signal Detect. Pseudo-ECL input signal which indicates whether or not the fiber-optic receive pairs (FOIN+/-) are receiving valid signal levels. These inputs are ignored when not in fiber mode, and should be grounded.

Pin Information (continued)

Pin Descriptions (continued)

Table 7. Miscellaneous Pins

Pin	Signal	Type	Description
81	CKREF	I	Clock Reference. Connect this pin to a $1\text{ nF} \pm 10\%$ capacitor to ground.
184 183	ATEST[B:A]	O	Reserved. For normal operation, leave these pins unconnected.
197	AUTO_EN	I	Autonegotiation Enable. When this pin is high, autonegotiation is enabled. Pulsing this pin will cause autonegotiation to restart. This input has the same function as register 0, bit 12. This input and the register bit are ANDed together.
1, 7, 11, 14, 18, 22, 24, 26, 29, 31, 35, 39, 41, 45, 49, 58, 64, 73, 79, 82, 86, 91, 97, 106, 115, 118, 124, 133, 141, 147, 156, 163, 177, 178, 181, 182, 186, 208	GND/Vss	PWR	Ground. (38 pins.)
4, 8, 12, 15, 19, 23, 28, 30, 34, 38, 40, 44, 48, 52, 61, 69, 77, 80, 83, 94, 102, 111, 121, 129, 137, 144, 152, 160, 167, 172, 179, 180, 185, 195, 202	VDD	PWR	VDD. Single $5.0\text{ V} \pm 5\%$ power supply. (35 pins.)
196	3ST_EN	I	3-State Enable. When this pin is high, all digital outputs will be 3-stated. For normal operating conditions, pull this pin low.
25 13	BGREF[1:0]	I	Band Gap Reference. Connect these pins to a $24.9\text{ k}\Omega \pm 1\%$ resistor to ground. The parasitic load capacitance should be less than 15 pF .
42	ISET_10	I	Current Set 10 Mbits/s. An external resistor ($22.1\text{ k}\Omega$) is placed from this pin to ground to set the 10 Mbits/s TP driver transmit output level.

Pin Information (continued)

Pin Descriptions (continued)

Table 7. Miscellaneous Pins (continued)

Pin	Signal	Type	Description
43	ISET_100	I	Current Set 100 Mbits/s. An external resistor (nominally 24.9 kΩ) is placed from this pin to ground to set the 100 Mbits/s TP driver transmit output level.
114	REF10	I	10 MHz Input Clock. Optional reference clock for 10 Mbits/s repeater mode for phase alignment. When used, TX_CLK will be driven from REF10. If not used, let this pin float.
27	CLK20	I	20 MHz Input Clock. 20 MHz (± 100 ppm) TTL level clock with 45%—55% duty cycle. If the internal 20 MHz clock synthesizer is being used, ground this pin (default).
166	TXLED[D]/ CARIN_EN	I/O	Transmit LED[D]. This pin indicates transmit activity on port D. External buffers are necessary to drive the LEDs.
			Carrier Integrity Enable. At powerup or reset, if this pin is pulled high through a 4.7 kΩ resistor, it will enable the carrier integrity function of register 29, bit 3, if station management is unavailable. This pin has an internal 50 kΩ pull-down resistor for normal operation (CARIN_EN is disabled). This input and register bits [29.3] are ORed together.
165	TXLED[C]/ ENC_DEC_BYPASS	I/O	Transmit LED[C]. This pin indicates transmit activity on port C. External buffers are necessary to drive the LEDs.
			Encoder/Decoder Bypass. At powerup or reset, if this pin is pulled high through a 4.7 kΩ resistor, it will enable the ENC_DEC_BYPASS function of register 29, bit 6, if station management is unavailable. This pin has an internal 50 kΩ pull-down resistor for normal operation (encoder/decoder ON). This input and the register bit [29.6] are ORed together enabling the encoder/decoder bypass function for all four channels.
164	TXLED[B]/ SCRAM_DESC_BYPASS	I/O	Transmit LED[B]. This pin indicates transmit activity on port B. External buffers are necessary to drive the LEDs.
			Scrambler/Descrambler Bypass. At powerup or reset, this pin may be used to enable the SCRAM_DESC_BYPASS function by pulling this pin high through a 4.7 kΩ resistor, if station management is unavailable. This is the same function as register 29, bit 4. This pin has an internal 50 kΩ pull-down resistor for normal operation (scrambler/descrambler ON). This input and the register bit [29.4] are ORed together during powerup and reset.
162	TXLED[A]/ REF_SEL	I/O	Transmit LED[A]. This pin indicates transmit activity on port A. External buffers are necessary to drive the LEDs.
			Reference Select. At powerup, this pin may be used to select the 10 MHz reference input of pin REF10 by pulling it high through a 4.7 kΩ resistor, if station management is unavailable. This is the same function as register 30, bit 2. This pin has an internal 50 kΩ pull-down resistor for normal operation (REF10 not used). This input and the register bit are ORed together.

Pin Information (continued)

Pin Descriptions (continued)

Table 7. Miscellaneous Pins (continued)

Pin	Signal	Type	Description
171—168	RXLED[D:A]/ FX_MODE_EN[D:A]	I/O	Receive LED[D:A]. This pin indicates receive activity. External buffers are necessary to drive the LEDs.
			FX Mode Enable. At powerup or reset, when pulled high through a 4.7 k Ω resistor, this pin will enable the FX mode (10Base-T and 100Base-TX disabled). When pulled low, it will enable 10Base-T and 100Base-TX modes (100Base-FX mode disabled). These pins are ORed with register 29, bit 0 [29.0]. These pins have internal 50 k Ω pull-down resistors.
176—173	COLED[D:A]	O	Collision LED. This pin indicates collision occurrence. External buffers are necessary to drive the LEDs. Channels A and B have internal 50 k Ω pull-down resistors but not channels C and D.
190	LINKLED[D]/ PHYADD[2]	I/O	Link LED[D]. This pin indicates good link status on port D. External buffers are necessary to drive the LEDs.
			PHY Address 2. At powerup or reset, this pin is used to set the PHY address bit 2. If this pin is pulled high through a 50 k Ω resistor, it will set PHYADD[2] to a 1. If this pin is pulled low through a 50 k Ω resistor, it will set PHYADD[2] to a 0.
189	LINKLED[C]/ PHYADD[1]	I/O	Link LED[C]. This pin indicates good link status on port C. External buffers are necessary to drive the LEDs.
			PHY Address 1. At powerup or reset, this pin is used to set the PHY address bit 1. If this pin is pulled high through a 50 k Ω resistor, it will set PHYADD[1] to a 1. If this pin is pulled low through a 50 k Ω resistor, it will set PHYADD[1] to a 0.
188	LINKLED[B]/ PHYADD[0]	I/O	Link LED[B]. This pin indicates good link status on port B. External buffers are necessary to drive the LEDs.
			PHY Address 0. At powerup or reset, this pin may be used to set the PHY address bit 0. If this pin is pulled high through a 50 k Ω resistor, it will set PHYADD[0] to a 1. If this pin is pulled low through a 50 k Ω resistor, it will set PHYADD[0] to a 0.
187	LINKLED[A]/ NO_LP	I/O	Link LED[A]. This pin indicates good link status on port A. External buffers are necessary to drive the LEDs.
			No Link Pulse. This pin is used at powerup or reset to select the NO_LP function of register 30, bit 0 for all four channels by pulling this pin high through a 4.7 k Ω resistor. This input and the register bit [30.0] are ORed together. This pin has an internal 50 k Ω pull-down resistor to set the default to normal link pulse ON mode.

Pin Information (continued)

Pin Descriptions (continued)

Table 7. Miscellaneous Pins (continued)

Pin	Signal	Type	Description
194	SPEEDLED[D]/ SPEED	I/O	<p>Speed LED[D]. This pin indicates the operating speed of port D on the LU3X54FT. A high on this pin indicates 100 Mbps/s operation. A low indicates 10 Mbps/s operation. External buffers are necessary to drive the LEDs.</p> <p>Speed. This pin is used at powerup or reset to select the operating speed on all four channels and is the same function as register 0, bit 13:</p> <ul style="list-style-type: none"> ■ This pin is internally pulled high through a 100 kΩ resistor to enable 100 Mbps/s operation (defaults to 100 Mbps/s). ■ If this pin is pulled low through a 4.7 kΩ resistor, it will enable 10 Mbps/s operation. <p>This pin is ignored when autonegotiation is enabled. This pin and the register bit are ANDed.</p>
193	SPEEDLED[C]/ SMART_MODE_SELECT	I/O	<p>Speed LED[C]. This pin indicates the operating speed of port C on the LU3X54FT. A high on this pin indicates 100 Mbps/s operation. A low indicates 10 Mbps/s operation. External buffers are necessary to drive the LEDs.</p> <p>Smart Mode Select. At powerup or reset, if this pin is pulled high through a 4.7 kΩ resistor, the smart mode will be selected which enables the use of the security feature and redefines the CRS, COL, and TX_EN10 pins. This pin is internally pulled low through a 50 kΩ pull-down resistor. The default value is SMART_MODE_SELECT disabled.</p> <p>When SMART_MODE_SELECT is asserted, the TX_EN10 inputs are used as the security inputs for both 10 Mbps/s mode and 100 Mbps/s mode. When security is activated high, the LU3X54FT will transmit a jam signal instead of data.</p> <p>When SMART_MODE_SELECT is asserted high, both the CRS_10 and CRS_100 signals will be output on the CRS_100 pins, and both the COL_10 and COL_100 signals will be output on the COL_100 pins.</p>
192	SPEEDLED[B]/ BUSED_MII_MODE	I/O	<p>Speed LED[B]. This pin indicates the operating speed of port B on the LU3X54FT. A high on this pin indicates 100 Mbps/s operation. A low indicates 10 Mbps/s operation. External buffers are necessary to drive the LEDs.</p> <p>Bused MII Mode Select. At powerup or reset, if the bused MII mode select pin is pulled high through a 4.7 kΩ resistor, data streams from ports running at 100 Mbps/s will appear on the single 100 Mbps/s MII (port A), and data streams from ports running at 10 Mbps/s will appear at the single 10 Mbps/s serial interface (port B). In addition, control signals TX_EN10, TX_EN100, RX_EN10, RX_EN100, CRS_10, and CRS_100 become active.</p> <p>This pin is internally pulled low through a 50 kΩ pull-down resistor. The default value is bused mode disabled.</p>

Pin Information (continued)

Pin Descriptions (continued)

Table 7. Miscellaneous Pins (continued)

Pin	Signal	Type	Description
191	SPEEDLED[A]/ ISOLATE_MODE	I/O	Speed LED[A]. This pin indicates the operating speed of port A on the LU3X54FT. A high on this pin indicates 100 Mb/s operation. A low indicates 10 Mb/s operation. External buffers are necessary to drive the LEDs.
			Isolate Mode. As an input, this pin can be used at powerup or reset to select the isolate operation mode. If this pin is pulled high through a 4.7 k Ω resistor, the LU3X54FT will powerup or reset to the isolate mode. (MII outputs to high-impedance state.) This pin is internally pulled low through a 50 k Ω resistor. The default state is for the LU3X54FT to powerup or reset in a nonisolate mode. This pin and register bit [10.0] are ORed together during powerup and reset.
201	H_DUPLED[D]/ FULL_DUP	I/O	Half-Duplex LED[D]. When this output is high, it indicates half-duplex mode. When it is low, it indicates full duplex. External buffers are necessary to drive the LEDs. This output is only valid when the link is up.
			Full Duplex. At powerup, this pin may be used to select full-duplex operation for all four channels by pulling it high through a 4.7 k Ω resistor, if station management is unavailable. This is the same function as register 0, bit 8. This pin has an internal 50 k Ω pull-down resistor to default to half duplex for normal operation. This input and the register bit [0.8] are ORed together during powerup and reset. This pin is ignored when autonegotiation is enabled.
198	H_DUPLED[A]/ CLK20_SEL	I/O	Half-Duplex LED[A]. When this output is high, it indicates half-duplex mode. When low, it indicates full duplex. External buffers are necessary to drive the LEDs. This output is only valid when the link is up.
			20 MHz Clock Select. When this signal is pulled high through a 4.7 k Ω resistor, it will enable the two-clock input mode (20 MHz and 25 MHz). This pin is internally pulled low through a 50 k Ω resistor to set the default to internal 20 MHz. When low, this signal enables the single-clock input mode (25 MHz with 20 MHz clock internally generated). This pin has the same function as register 30, bit 6, if station management is unavailable. This input and the register bit [30.6] are ORed together during powerup and reset.
87	LSCLK/XTALIN	I	CMOS Local Symbol Clock. A 25 MHz clock, ± 100 ppm, 40%—60% duty cycle.
			Crystal Oscillator Input. A 25 MHz crystal ± 25 ppm can be connected across XTALIN and XTALOUT.
88	XTALOUT	I	Crystal Oscillator Output. A 25 MHz crystal ± 25 ppm can be connected across XTALIN and XTALOUT. If a single-ended external clock (LSCLK) is connected to XTALIN, the crystal output pin should be left floating.
55 207—204	MODE[4:0]	I	Test Mode Select. Reserved for manufacturing testing. These pins should be tied low for normal operation.

Pin Information (continued)

Pin Descriptions (continued)

Table 7. Miscellaneous Pins (continued)

Pin	Signal	Type	Description
203	RESET	I	Full Chip Reset. Reset must be asserted high for at least five LSCLK cycles. The LU3X54FT will come out of reset after 400 μ s. LSCLK must remain running during reset.
199	H_DUPLED[B]/ CRS_SEL	I/O	Half-Duplex LED[B]. When this output is high, it indicates half-duplex mode. When it is low, it indicates full duplex. External buffers are necessary to drive the LEDs. This output is only valid when the link is up.
			Carrier Sense Select. At powerup, this pin may be used to select the mode of CRS operation. When this pin is pulled high through a 4.7 k Ω resistor, CRS will be asserted on receive activity only. This is the same function as register 29, bit 10. This pin has an internal 50 k Ω pull-down resistor for normal mode operation (default: CRS asserted on transmit or receive activity). This input and the register bit [29.10] are ORed together during powerup and reset.
200	H_DUPLED[C]/ SERIAL_SEL	I/O	Half-Duplex LED[C]. When this output is high, it indicates half-duplex mode. When low, it indicates full duplex. External buffers are necessary to drive the LEDs. This output is only valid when the link is up.
			Serial Select. At powerup, this pin may be used to set the SERIAL_SEL function of register 30, bit 1 for all four channels by pulling it high through a 4.7 k Ω resistor if station management is unavailable. This pin has an internal 50 k Ω pull-down resistor for normal mode operation (default). This input and the register bit [30.1] are ORed together during powerup and reset.
54	NC	—	No Connect. Do not connect these pins.

MII Station Management

Basic Operations

The primary function of station management is to transfer control and status information about the LU3X54FT to a management entity. This function is accomplished by the MDC clock input, which has a maximum frequency of 12.5 MHz, along with the MDIO pin. This pin (112) requires an external 1.5 kΩ pull-up resistor.

The management interface (MII) uses MDC and MDIO to physically transport information between the PHY and the station management entity.

A specific set of registers and their contents (described in Table 8) defines the nature of the information transferred across this interface. Frames transmitted on the

MII management interface will have the frame structure shown in Table 8. The order of bit transmission is from left to right. Note that reading and writing of the management register must be completed without interruption.

Since the LU3X54FT is a four-channel device, each of the management registers is duplicated four times as depicted in the functional block diagram shown in Figure 1. To select a particular channel [D:A], write to that channel's unique PHY address as described in Table 9.

MII Management Frames

The fields and format for management frames are described in the following tables.

Table 8. MII Management Frame Format

Read/Write (R/W)	Pre	ST	OP	PHYADD	REGAD	TA	DATA	Idle
R	1 . . . 1	01	10	AAAAA	RRRRR	Z0	DDDDDDDDDDDDDDDDDD	Z
W	1 . . . 1	01	01	AAAAA	RRRRR	10	DDDDDDDDDDDDDDDDDD	Z

Table 9. MII Management Frames Field Descriptions

Field	Description
Pre	Preamble. The preamble is a series of 32 ones. The LU3X54FT will accept frames with no preamble. This is indicated by a 1 in register 1, bit 6.
ST	Start of Frame. The start of frame is indicated by a 01 pattern.
OP	Operation Code. The operation code for a read transaction is 10. The operation code for a write transaction is 01.
PHYADD	PHY Address. The PHY address is 5 bits, allowing for 32 unique addresses. The first PHY address bit transmitted and received is the MSB of the address. A station management entity, which is attached to multiple PHY entities, must have prior knowledge of the appropriate PHY address for each entity. The address 00000 is the broadcast address. This address will produce a match regardless of the local address. The LU3X54FT maps the PHYADD[2:0] to the most significant 3 bits, while the least significant 2 bits address the channel within the LU3X54FT as follows: 00: Channel A. 01: Channel B. 10: Channel C. 11: Channel D.
REGAD	Register Address. The register address is 5 bits, allowing for 32 unique registers within each PHY. The first register address bit transmitted and received is the MSB of the address.
TA	Turnaround. The turnaround time is a 2-bit time spacing between the register address field and the data field of a frame to avoid drive contention on MDIO during a read transaction. During a write to the LU3X54FT, these bits are driven to a 10 by the station. During a read, the MDIO is not driven during the first bit time and is driven to a 0 by the LU3X54FT during the second bit time.
DATA	Data. The data field is 16 bits. The first bit transmitted and received is bit 15 of the register being addressed.

MII Station Management (continued)

Management Registers (MR)

Register Overview

The MII management 16-bit register (MR) set is implemented as described in the table below.

Table 10. MII Management Registers (MR)

Register Address	Symbol	Name	Default (Hex Code)
0	MR0	Control Register	3000
1	MR1	Status Register	7849
2	MR 2	PHY Identifier Register 1	0180
3	MR 3	PHY Identifier Register 2	7641
4	MR4	Autonegotiation Advertisement Register	01E1
5	MR5	Autonegotiation Link Partner Ability Register (Base Page)	0000
5	MR5	Autonegotiation Link Partner Ability Register (Next Page)	—
6	MR6	Autonegotiation Expansion Register	0000
7	MR7	Next-Page Transmit Register	0000
8—27	MR8—MR27	Reserved	0000
28	MR28	Device-Specific Register 1 (Status)	—
29	MR29	Device-Specific Register 2 (100Mbits/s Control)	1080
30	MR30	Device-Specific Register 3 (10Mbits/s Control)	0000
31	MR31	Quick Status Register	—

MII Station Management (continued)

Management Registers (MR) (continued)

This section provides a detailed discussion of each management register and its bit definitions.

Table 11. MR0—Control Register Bit Descriptions

Register/Bit ¹	Type ²	Description
0.15 (SW_RESET)	R/W	Reset. Setting this bit to a 1 will reset the entire (all four ports, even when only one port is addressed) LU3X54FT. All registers will be set to their default state. This bit is self-clearing. The default is 0.
0.14 (LOOPBACK)	R/W	Loopback. When this bit is set to a 1, no data transmission will take place on the media. Any receive data will be ignored. The loopback signal path will contain all circuitry up to but not including the PMD. The autonegotiation must be turned off, then loopback can be initiated, transmit data can start 2 ms after loopback is initiated. The default value is a 0.
0.13 (SPEED100)	R/W	Speed Selection. The value of this bit reflects the current speed of operation (1 = 100 Mbits/s, 0 = 10 Mbits/s). This bit will only affect operating speed when the autonegotiation enable bit (register 0, bit 12) is disabled (0). This bit is ignored when autonegotiation is enabled (register 0, bit 12). This bit is ANDed with the SPEEDLED[D] pin during powerup and reset. The default state is a 1.
0.12 (NWAY_ENA)	R/W	Autonegotiation Enable. The autonegotiation process will be enabled by setting this bit to a 1. The default state is a 1. This register bit is ANDed with the AUTO_EN pin during power up and reset.
0.11 (PWRDN)	R/W	Powerdown. The LU3X54FT may be placed in a low-power state by setting this bit to a 1, both the 10 Mbits/s transceiver and the 100 Mbits/s transceiver will be powered down. While in the powerdown state, the LU3X54FT will respond to management transactions. The default state is a 0.
0.10 (ISOLATE)	R/W	Isolate Mode. When this bit is set to a 1, the MII outputs will be brought to the high-impedance state. The default state is a 0. This bit is ORed with the SPEEDLED[A]/ISOLATE_MODE pin during powerup and reset.
0.9 (REDONWAY)	R/W	Restart Autonegotiation. Normally, the autonegotiation process is started at powerup. The process may be restarted by setting this bit to a 1. The default state is a 0. The NWAYDONE bit (register 1, bit 5) is reset when this bit goes to a 1. This bit is self-cleared when autonegotiation restarts.
0.8 (FULL_DUP)	R/W	Duplex Mode. This bit reflects the mode of operation (1 = full duplex, 0 = half duplex). This bit is ignored when the autonegotiation enable bit (register 0, bit 12) is enabled. The default state is a 0. This bit is ORed with the H_DUPLED[D] pin during powerup or reset.
0.7 (COLTST)	R/W	Collision Test. When this bit is set to a 1, the LU3X54FT will assert the COL signal in response to TX_EN. This bit should only be set when in loopback mode.
0.6:0 (RESERVED)	NA	Reserved. All bits will read 0.

- Note that the format for the bit descriptions is as follows: the first number is the register number, the second number is the bit position in the register, and the name of the instantiated pad is in capital letters.
- R = read, W = write, NA = not applicable.

MII Station Management (continued)

Management Registers (MR) (continued)

Table 12. MR1—Status Register Bit Descriptions

Register/Bit ¹	Type ²	Description
1.15 (T4ABLE)	R	100Base-T4 Ability. This bit will always be a 0. 0: Not able. 1: Able.
1.14 (TXFULDUP)	R	100Base-TX Full-Duplex Ability. This bit will always be a 1. 0: Not able. 1: Able.
1.13 (TXHAFDUP)	R	100Base-TX Half-Duplex Ability. This bit will always be a 1. 0: Not able. 1: Able.
1.12 (ENFULDUP)	R	10Base-T Full-Duplex Ability. This bit will always be a 1. 0: Not able. 1: Able.
1.11 (ENHAFDUP)	R	10Base-T Half-Duplex Ability. This bit will always be a 1. 0: Not able. 1: Able.
1.10:7 (RESERVED)	R	Reserved. All bits will read as a 0.
1.6 (NO_PA_OK)	R	Suppress Preamble. This bit is set to a 1 indicating that the LU3X54FT accepts management frames with the preamble suppressed.
1.5 (NWAYDONE)	R	Autonegotiation Complete. When this bit is a 1, it indicates the autonegotiation process has been completed. The contents of registers MR4, MR5, MR6, and MR7 are now valid. The default value is a 0. This bit is reset when autonegotiation is started.
1.4 (REM_FLT)	R	Remote Fault. When this bit is a 1, it indicates a remote fault has been detected. This bit will remain set until cleared by reading the register. The default is a 0.
1.3 (NWAYABLE)	R	Autonegotiation Ability. When this bit is a 1, it indicates the ability to perform autonegotiation. The value of this bit is always a 1.
1.2 (LSTAT_OK)	R	Link Status. When this bit is a 1, it indicates a valid link has been established. This bit has a latching function: a link failure will cause the bit to clear and stay cleared until it has been read via the management interface.
1.1 (JABBER)	R	Jabber Detect. This bit will be a 1 whenever a jabber condition is detected. It will remain set until it is read, and the jabber condition no longer exists.
1.0 (EXT_ABLE)	R	Extended Capability. This bit indicates that the LU3X54FT supports the extended register set (MR2 and beyond). It will always read a 1.

1. Note that the format for the bit descriptions is as follows: the first number is the register number, the second number is the bit position in the register, and the name of the instantiated pad is in capital letters.

2. R = read.

MII Station Management (continued)

Management Registers (MR) (continued)

Table 13. MR2, 3—PHY Identifier Registers (1 and 2) Bit Descriptions

Register/Bit ¹	Type ²	Description
2.15:0 (OUI[3:18])	R	Organizationally Unique Identifier. The third through the twenty-fourth bit of the OUI assigned to the PHY manufacturer by the <i>IEEE</i> are to be placed in bits [2.15:0] and [3.15:10]. The value for bits 15:0 is 0180h.
3.15:10 (OUI[19:24])	R	Organizationally Unique Identifier. The remaining 6 bits of the OUI. The value for bits 15:10 is 1Dh.
3.9:4 (MODEL[5:0])	R	Model Number. 6-bit model number of the device. The model number is 54 DEC.
3.3:0 (VERSION[3:0])	R	Revision Number. The value of the present revision number. The value is 01h for the first version.

- Note that the format for the bit descriptions is as follows: the first number is the register number, the second number is the bit position in the register, and the name of the instantiated pad is in capital letters.
- R = read.

Table 14. MR4—Autonegotiation Advertisement Register Bit Descriptions

Register/Bit ¹	Type ²	Description
4.15 (NEXT_PAGE)	R/W	Next Page. The next-page function is activated by setting this bit to a 1. This will allow the exchange of additional data. Data is carried by optional next pages of information.
4.14 (ACK)	R/W	Acknowledge. This bit is the acknowledge bit from the link code word.
4.13 (REM_FAULT)	R/W	Remote Fault. When set to 1, the LU3X54FT indicates to the link partner a remote fault condition.
4.12:11 (RESERVED)	NA	Reserved. These bits will read 0.
4.10 (PAUSE)	R/W	Pause. When set to a 1, it indicates that the LU3X54FT wishes to exchange flow control information with its link partner.
4.9 (100BASET4)	R/W	100Base-T4. This bit should always be set to 0.
4.8 (100BASET_FD)	R/W	100Base-TX Full Duplex. If written to 1, autonegotiation will advertise that the LU3X54FT is capable of 100Base-TX full-duplex operation.
4.7 (100BASETX)	R/W	100Base-TX. If written to 1, autonegotiation will advertise that the LU3X54FT is capable of 100Base-TX operation.
4.6 (10BASET_FD)	R/W	10Base-T Full Duplex. If written to 1, autonegotiation will advertise that the LU3X54FT is capable of 10Base-T full-duplex operation.
4.5 (10BASET)	R/W	10Base-T. If written to 1, autonegotiation will advertise that the LU3X54FT is capable of 10Base-T operation.
4.4:0 (SELECT)	R/W	Selector Field. Reset with the value 00001 for <i>IEEE</i> 802.3.

- Note that the format for the bit descriptions is as follows: the first number is the register number, the second number is the bit position in the register, and the name of the instantiated pad is in capital letters.
- R = read, W = write, NA = not applicable.

MII Station Management (continued)

Management Registers (MR) (continued)

Table 15. MR5—Autonegotiation Link Partner (LP) Ability Register (Base Page) Bit Descriptions

Register/Bit ¹	Type ²	Description
5.15 (LP_NEXT_PAGE)	R	Link Partner Next Page. When this bit is set to 1, it indicates that the link partner wishes to engage in next-page exchange.
5.14 (LP_ACK)	R	Link Partner Acknowledge. When this bit is set to 1, it indicates that the link partner has successfully received at least three consecutive and consistent FLP bursts.
5.13 (LP_REM_FAULT)	R	Remote Fault. When this bit is set to 1, it indicates that the link partner has a fault.
5.12:5 (LP_TECH_ABILITY)	R	Technology Ability Field. This field contains the technology ability of the link partner. These bits are similar to the bits defined for the MR4 register (see Table 14).
5.4:0 (LP_SELECT)	R	Selector Field. This field contains the type of message sent by the link partner. For <i>IEEE</i> 802.3u compliant link partners, this field should read 00001.

1. Note that the format for the bit descriptions is as follows: the first number is the register number, the second number is the bit position in the register, and the name of the instantiated pad is in capital letters.
2. R = read.

Table 16. MR5—Autonegotiation Link Partner (LP) Ability Register (Next Page) Bit Descriptions

Register/Bit ¹	Type ²	Description
5.15 (LP_NEXT_PAGE)	R	Next Page. When this bit is set to a logic 0, it indicates that this is the last page to be transmitted. A logic 1 indicates that additional pages will follow.
5.14 (LP_ACK)	R	Acknowledge. When this bit is set to a logic 1, it indicates that the link partner has successfully received its partner's link code word.
5.13 (LP_MES_PAGE)	R	Message Page. This bit is used by the NEXT_PAGE function to differentiate a message page (logic 1) from an unformatted page (logic 0).
5.12 (LP_ACK2)	R	Acknowledge 2. This bit is used by the NEXT_PAGE function to indicate that a device has the ability to comply with the message (logic 1) or not (logic 0).
5.11 (LP_TOGGLE)	R	Toggle. This bit is used by the arbitration function to ensure synchronization with the link partner during next-page exchange. Logic 0 indicates that the previous value of the transmitted link code word was logic 1. Logic 1 indicates that the previous value of the transmitted link code word was logic 0.
5.10:0 (MCF)	R	Message/Unformatted Code Field. With these 11 bits, there are 2048 possible messages. Message code field definitions are described in annex 28C of the <i>IEEE</i> 802.3u standard.

1. Note that the format for the bit descriptions is as follows: the first number is the register number, the second number is the bit position in the register, and the name of the instantiated pad is in capital letters.
2. R = read.

MII Station Management (continued)

Management Registers (MR) (continued)

Table 17. MR6—Autonegotiation Expansion Register Bit Descriptions

Register/Bit ¹	Type ²	Description
6.15:5 (RESERVED)	R	Reserved.
6.4 (PAR_DET_FAULT)	R/LH	Parallel Detection Fault. When this bit is set to 1, it indicates that a fault has been detected in the parallel detection function. This fault is due to more than one technology detecting concurrent link conditions. This bit can only be cleared by reading this register.
6.3 (LP_NEXT_PAGE_ABLE)	R	Link Partner Next Page Able. When this bit is set to 1, it indicates that the link partner supports the next-page function.
6.2 (NEXT_PAGE_ABLE)	R	Next Page Able. This bit is set to 1, indicating that this device supports the next-page function.
6.1 (PAGE_REC)	R/LH	Page Received. When this bit is set to 1, it indicates that a NEXT_PAGE has been received.
6.0 (LP_NWAY_ABLE)	R	Link Partner Autonegotiation Capable. When this bit is set to 1, it indicates that the link partner is autonegotiation capable.

- Note that the format for the bit descriptions is as follows: the first number is the register number, the second number is the bit position in the register, and the name of the instantiated pad is in capital letters.
- R = read, LH = latched high.

Table 18. MR7—Next-Page Transmit Register Bit Descriptions

Register/Bit ¹	Type ²	Description
7.15 (NEXT_PAGE)	R/W	Next Page. This bit indicates whether or not this is the last NEXT_PAGE to be transmitted. When this bit is 0, it indicates that this is the last NEXT_PAGE. When this bit is 1, it indicates there is an additional NEXT_PAGE.
7.14 (ACK)	R	Acknowledge. This bit is the acknowledge bit from the link code word.
7.13 (MESSAGE)	R/W	Message Page. This bit is used to differentiate a message page from an unformatted page. When this bit is 0, it indicates an unformatted page. When this bit is 1, it indicates a formatted page.
7.12 (ACK2)	R/W	Acknowledge 2. This bit is used by the next-page function to indicate that a device has the ability to comply with the message. It is set as follows: <ul style="list-style-type: none"> ■ When this bit is 0, it indicates the device cannot comply with the message. ■ When this bit is 1, it indicates the device will comply with the message.
7.11 (TOGGLE)	R	Toggle. This bit is used by the arbitration function to ensure synchronization with the link partner during next-page exchange. This bit will always take the opposite value of the toggle bit in the previously exchanged link code word: <ul style="list-style-type: none"> ■ If the bit is a logic 0, the previous value of the transmitted link code word was a logic 1. ■ If the bit is a 1, the previous value of the transmitted link code word was a 0. The initial value of the toggle bit in the first next-page transmitted is the inverse of the value of bit 11 in the base link code word, and may assume a value of 1 or 0.
7.10:0 (MCF)	R/W	Message/Unformatted Code Field. With these 11 bits, there are 2048 possible messages. Message code field definitions are described in annex 28C of the <i>IEEE 802.3u</i> standard.

- Note that the format for the bit descriptions is as follows: the first number is the register number, the second number is the bit position in the register, and the name of the instantiated pad is in capital letters.
- R = read, W = write.

MII Station Management (continued)

Management Registers (MR) (continued)

Table 19. MR28—Device-Specific Register 1 (Status Register) Bit Descriptions

Register/Bit ¹	Type ²	Description
28.15:9 (R28[15:9])	R	Unused. Read as 0.
28.8 (BAD_FRM)	R/LH	Bad Frame. If this bit is a 1, it indicates a packet has been received without an SFD. This bit is only valid in 10 Mbits/s mode. This bit is latching high and will only clear after it has been read or the device has been reset. This bit defaults to 0.
28.7 (CODE)	R/LH	Code Violation. When this bit is a 1, it indicates a Manchester code violation has occurred. The error code will be output on the RXD lines. Refer to Table 3 for a detailed description of the RXD pin error codes. This bit is only valid in 10 Mbits/s mode. This bit is latching high and will only clear after it has been read or the device has been reset. This bit defaults to 0.
28.6 (APS)	R	Autopolarity Status. When register 30, bit 3 is set and this bit is a 1, it indicates the LU3X54FT has detected and corrected a polarity reversal on the twisted pair. If the APF_EN bit (register 30, bit 3) is set, the reversal will be corrected inside the LU3X54FT. This bit is not valid in 100 Mbits/s operation. This bit defaults to 0.
28.5 (DISCON)	R/LH	Disconnect. If this bit is a 1, it indicates a disconnect. This bit will latch high until read. This bit is only valid in 100 Mbits/s mode. This bit defaults to 0.
28.4 (UNLOCKED)	R/LH	Unlocked. Indicates that the TX scrambler lost lock. This bit will latch high until read. This bit is only valid in 100 Mbits/s mode. This bit defaults to 0.
28.3 (RXERR_ST)	R/LH	RX Error Status. Indicates a false carrier. This bit will latch high until read. This bit is only valid in 100 Mbits/s mode. This bit defaults to 0.
28.2 (FRC_JAM)	R/LH	Force Jam. This bit will latch high until read. This bit is only valid in 100 Mbits/s mode. This bit defaults to 0.
28.1 (LNK100UP)	R	Link Up 100. This bit, when set to a 1, indicates a 100 Mbits/s transceiver is up and operational. This bit defaults to 0.
28.0 (LNK10UP)	R	Link Up 10. This bit, when set to a 1, indicates a 10 Mbits/s transceiver is up and operational. This bit defaults to 0.

- Note that the format for the bit descriptions is as follows: the first number is the register number, the second number is the bit position in the register, and the name of the instantiated pad is in capital letters.
- R = read, LH = latched high.

MII Station Management (continued)

Management Registers (MR) (continued)

Table 20. MR29—Device-Specific Register 2 (100 Mbps/s Control) Bit Descriptions

Register/Bit ¹	Type ²	Description
29.15 (LOCALRST)	R/W	Management Reset. This is the local management reset bit. Writing a logic 1 to this bit will cause register (zero) 0 and registers 28 and 29 to be reset to their default values. This bit is self-clearing. Default state is 0.
29.14 (RST1)	R/W	Generic Reset 1. This register is used for manufacture test only. Default state is 0.
29.13 (RST2)	R/W	Generic Reset 2. This register is used for manufacture test only. Default state is 0.
29.12 (100OFF)	R/W	100 Mbps/s Transmitter Off. When this bit is set to 0, it forces TPOUT+[D:A] low and TPOUT-[D:A] high. This bit defaults to 1.
29.11 (RESERVED)	R/W	Reserved. Program to zero.
29.10 (CRS_SEL)	R/W	Carrier Sense Select. CRS will be asserted on receive only when this bit is set to a 1. If this bit is set to logic 0, CRS will be asserted on receive or transmit. This bit is ORed with the H_DUPLED[B] pin during powerup and reset. Default state is 0.
29.9 (LINK_ERR)	R/W	Link Error Indication. When this bit is a 1, a link error code will be reported on RXD[3:0] of the LU3X54FT when RX_ER is asserted on the MII. The specific error codes are listed in the RXD pin description. If it is 0, it will disable this function. Default state is 0.
29.8 (PKT_ERR)	R/W	Packet Error Indication Enable. When this bit is a 1, a packet error code, which indicates that the scrambler is not locked, will be reported on RXD[3:0] of the LU3X54FT when RX_ER is asserted on the MII. When this bit is 0, it will disable this function. Default state is 0.
29.7 (PULSE_STR)	R/W	Pulse Stretching. When this bit is set to 1, the COLED[D:A], TXLED[D:A], and RXLED[D:A] output signal will be stretched between approximately 42 ms—84 ms. If this bit is set to 0, it will disable this feature. Default state is 1.
29.6 (ENC_DEC_BYPASS)	R/W	Encoder/Decoder Bypass. When this bit is set to 1, the 4B/5B encoder and 5B/4B decoder function will be disabled. This bit is ORed with the TXLED[C] pin during powerup and reset. Default state is 0.
29.5 (SAB)	R/W	Symbol Aligner Bypass. When this bit is set to 1, the aligner function will be disabled. Default state is 0.
29.4 (SCRAM_DESC_BYPASS)	R/W	Scrambler/Descrambler Bypass. When this bit is set to 1, the scrambling/descrambling functions will be disabled. This bit is ORed with the TXLED[B] pin during powerup and reset. Default state is 0.
29.3 (CARIN_EN)	R/W	Carrier Integrity Enable. When this bit is set to a 1, carrier integrity is enabled. This bit is ORed with the TXLED[D] pin during powerup and reset. Default state is 0.
29.2 (JAM_COL)	R/W	Jam Enable. When this bit is a 1, it enables JAM associated with carrier integrity to be ORed with COL. Default state is 0.
29.1 (FEF_EN)	R/W	Far-End Fault Enable. This bit is used to enable the far-end fault detection and transmission capability. This capability may only be used if autonegotiation is disabled. This capability is to be used only with media which does not support autonegotiation. Setting this bit to 1 enables far-end fault detection and generation. Logic 0 will disable the function. Default state is 0.
29.0 FX_MODE_EN	R/W	FX Mode Enable. When set high, this bit will enable the FX mode (10Base-T and 100Base-TX disabled). When low, it will enable 10Base-T and 100Base-TX mode (100Base-FX mode disabled). This bit defaults to zero. It is ORed with the FX mode enable pin.

- Note that the format for the bit descriptions is as follows: the first number is the register number, the second number is the bit position in the register, and the name of the instantiated pad is in capital letters.
- R = read, W = write.

MII Station Management (continued)

Management Registers (MR) (continued)

Table 21. MR30—Device-Specific Register 3 (10 Mbits/s Control) Bit Descriptions

Register/Bit ¹	Type ²	Description
30.15:7 (R28[15:7])	R/W	Unused. Read as 0.
30.6 (CLK_SEL)	R/W	20 MHz Clock Select. When this bit is a 1, it enables the two-clock input mode (20 MHz and 25 MHz). When this bit is a 0, it enables the single-clock input mode (25 MHz with 20 MHz clock internally generated). Default state is 0.
30.5 (HBT_EN)	R/W	Heartbeat Enable. When this bit is a 1, the heartbeat function will be enabled. Valid in 10 Mbits/s mode only. Default state is 0.
30.4 (ELL_EN)	R/W	Extended Line Length Enable. When this bit is a 1, the receive squelch levels are reduced from a nominal 435 mV to 350 mV, allowing reception of signals with a lower amplitude. Valid in 10 Mbits/s mode only. Default state is 0.
30.3 (APF_DIS)	R/W	Autopolarity Function Disable. When this bit is a 0 and the LU3X54FT is in 10 Mbits/s mode, the autopolarity function will determine if the TP link is wired with a polarity reversal. If there is a polarity reversal, the LU3X54FT will assert the APS bit (register 28, bit 6) and correct the polarity reversal. If this bit is a 1 and the device is in 10 Mbits/s mode, the reversal will not be corrected. Default state is 0.
30.2 (REF_SEL)	R/W	Reference Select. When this bit is a 1, the external 10 MHz reference input clock REF10 is used for phase alignment. Default state is 0.
30.1 (SERIAL_SEL)	R/W	Serial Select. When this bit is set to a 1, 10 Mbits/s serial mode will be selected. When the LU3X54FT is in 100 Mbits/s mode, this bit will be ignored. This bit is ORed with the H_DUPLED[C] pin during powerup and reset. Default state is 0.
30.0 (ENA_NO_LP)	R/W	No Link Pulse Mode. Setting this bit to a 1 will allow 10 Mbits/s operation with link pulses disabled. If the LU3X54FT is configured for 100 Mbits/s operation, setting this bit will not affect operation. This bit is ORed with the LINKLED[A] pin during powerup and reset. Default state is 0.

1. Note that the format for the bit descriptions is as follows: the first number is the register number, the second number is the bit position in the register, and the name of the instantiated pad is in capital letters.

2. R = read, W = write.

MII Station Management (continued)

Management Registers (MR) (continued)

Table 22. MR31—Device-Specific Register 4 (Quick Status) Bit Descriptions

Register/Bit ¹	Type ²	Description
31.15 (ERROR)	R	Receiver Error. When this bit is a 1, it indicates that a receive error has been detected. This bit is valid in 100 Mbps/s only. This bit will remain set until cleared by reading the register. Default is a 0.
31.14 (RXERR_ST)/ (LINK_STAT_CHANGE)	R	False Carrier. When bit [31.7] is set to 0 and this bit is a 1, it indicates that the carrier detect state machine has found a false carrier. This bit is valid in 100 Mbps/s only. This bit will remain set until cleared by reading the register. Default is 0.
		Link Status Change. When bit [31.7] is set to a 1, this bit is redefined to become the LINK_STAT_CHANGE bit and goes high whenever there is a change in link status (bit [31.11] changes state).
31.13 (REM_FLT)	R	Remote Fault. When this bit is a 1, it indicates a remote fault has been detected. This bit will remain set until cleared by reading the register. Default is a 0.
31.12 (UNLOCKED)/ (JABBER)	R	Unlocked/Jabber. If this bit is set when operating in 100 Mbps/s mode, it indicates that the TX descrambler has lost lock. If this bit is set when operating in 10 Mbps/s mode, it indicates a jabber condition has been detected. This bit will remain set until cleared by reading the register.
31.11 (LSTAT_OK)	R	Link Status. When this bit is a 1, it indicates a valid link has been established. This bit has a latching low function: a link failure will cause the bit to clear and stay cleared until it has been read via the management interface.
31.10 (PAUSE)	R	Link Partner Pause. When this bit is set to a 1, it indicates that the LU3X54FT wishes to exchange flow control information.
31.9 (SPEED100)	R	Link Speed. When this bit is set to a 1, it indicates that the link has negotiated to 100 Mbps/s. When this bit is a 0, it indicates that the link is operating at 10 Mbps/s.
31.8 (FULL_DUP)	R	Duplex Mode. When this bit is set to a 1, it indicates that the link has negotiated to full-duplex mode. When this bit is a 0, it indicates that the link has negotiated to half-duplex mode.
31.7 (INT_CONF)	R/W	Interrupt Configuration. When this bit is set to a 0, it defines bit [31.14] to be the RXERR_ST bit and the interrupt pin (MASK_STAT_INT) goes high whenever any of bits [31.15:12] go high, or bit [31.11] goes low. When this bit is set high, it redefines bit [31.14] to become the LINK_STAT_CHANGE bit, and the interrupt pin (MASK_STAT_INT) goes high only when the link status changes (bit [31.14] goes high). This bit defaults to 0.
31.6 (INT_MASK)	R/W	Interrupt Mask. When set high, no interrupt is generated by this channel under any condition. When set low, interrupts are generated according to bit [31.7].
31.5:3 (LOW_AUTO__STATE)	R	Lowest Autonegotiation State. These 3 bits report the state of the lowest autonegotiation state reached since the last register read, in the priority order defined below: 000: Autonegotiation enable. 001: Transmit disable or ability detect. 010: Link status check. 011: Acknowledge detect. 100: Complete acknowledge. 101: FLP link good check. 110: Next-page wait. 111: FLP link good.
31.2:0 (HI_AUTO_STATE)	R	Highest Autonegotiation State. These 3 bits report the state of the highest autonegotiation state reached since the last register read, as defined above for bit [31.5:3].

- Note that the format for the bit descriptions is as follows: the first number is the register number, the second number is the bit position in the register, and the name of the instantiated pad is in capital letters.
- R = read; W = write.

MII Station Management (continued)

Unmanaged Operations

The LU3X54FT allows the user to set some of the station management functions during powerup or reset by strapping outputs high or low through weak resistors (50 kΩ). Table 23 shows the functions and their associated output pin. For detailed information on the function of these output pins, refer to the section on management registers described earlier in this data sheet. Also, information on how these output pins should be strapped is discussed in the Pin Descriptions section (Table 3 through Table 7).

Table 23. Output Pins

Function (Register/Bit)	Pin	Internal Pull-Up/Pull-Down
PHYADD[2:0]	LINKLED[D:B]	None
NO_LP	LINKLED[A]	50 kΩ pull-down
SPEED	SPEEDLED[D]	100 kΩ up
CARIN_EN	TXLED[D]	50 kΩ pull-down
ENC_DEC_BYPASS	TXLED[C]	50 kΩ pull-down
SCRAM_DESC_BYPASS	TXLED[B]	50 kΩ pull-down
REF_SEL	TXLED[A]	50 kΩ pull-down
CLK20_SEL	H_DUPLD[A]	50 kΩ pull-down
FULL_DUP	H_DUPLD[D]	50 kΩ pull-down
SERIAL_SEL	H_DUPLD[C]	50 kΩ pull-down
CRS_SEL	H_DUPLD[B]	50 kΩ pull-down
BUSED_MII_MODE	SPEEDLED[B]	50 kΩ pull-down
SMART_MODE_SELECT	SPEEDLED[C]	50 kΩ pull-down
ISOLATE_MODE	SPEEDLED[A]	50 kΩ pull-down
FX_MODE_EN	RXLED[D:A]	50 kΩ pull-down
RESERVED	COLED[B:A]	50 kΩ pull-down

Mode Select

Table 24. LU3X54FT Modes

MODE[4:0]	Description
00000	Normal operation
00001—11111	Reserved

Absolute Maximum Ratings ($T_A = 25\text{ }^\circ\text{C}$)

Stresses in excess of the absolute maximum ratings can cause permanent damage to the device. These are absolute stress ratings only. Functional operation of the device is not implied at these or any other conditions in excess of those given in the operational sections of the data sheet. Exposure to absolute maximum ratings for extended periods can adversely affect device reliability.

Table 25. Absolute Maximum Ratings

Parameter	Symbol	Min	Max	Unit
Ambient Operating Temperature	T_A	0	70	$^\circ\text{C}$
Storage Temperature	T_{stg}	-40	125	$^\circ\text{C}$
Power Dissipation	P_D	—	3.5	W
Voltage on Any Pin with Respect to Ground	—	-0.5	$V_{DD} + 0.5$	V
Maximum Supply Voltage	—	—	5.5	V

Table 26. Operating Conditions

Parameter	Symbol	Min	Typ*	Max	Unit
Operating Supply Voltage	—	4.75	5.0	5.25	V
Power Dissipation:					
All Ports 100 Mb/s TX	P_D	—	3.0	—	W
All Ports 100 Mb/s FX	P_D	—	2.2	—	W
All Ports 10 Mb/s	P_D	—	2.0	—	W
All Ports Autonegotiating	P_D	—	1.5	—	W

* Typical power dissipations are specified at 5.0 V and 25 $^\circ\text{C}$. This is the power dissipated by the LU3X54FT. An additional 0.2 W of power is required for the external twisted-pair driver termination resistors.

Electrical Characteristics

The following specifications apply for $V_{DD} = 5\text{ V} \pm 5\%$.

Table 27. dc Characteristics

Parameter	Symbol	Min	Typ	Max	Unit
TTL Inputs:					
Input High Voltage	V_{IH}	2.0	—	—	V
Input Low Voltage	V_{IL}	—	—	0.8	V
Input High Current	I_{IH}	—	—	50	μA
Input Low Current	I_{IL}	—	—	-400	μA
Input Leakage Current	I_L	—	—	50	μA
TTL Outputs:					
Output High Voltage	V_{OH}	2.4	—	—	V
Output Low Voltage	V_{OL}	—	—	0.45	V
Output Short-circuit Current	I_{SC}	-15	—	-85	mA
10 Mb/s Twisted Pair: Input Voltage	V_{DIFF}	0.35	—	2.0	V
100 Mb/s Twisted Pair: Input Voltage	V_{DIFF}	—	—	1.5	V
10 Mb/s Twisted Pair: Output Current	V_{DIFF}	45	50	55	mA
100 Mb/s Twisted Pair: Output Current	V_{DIFF}	19	20	21	mA

Package and Thermal Characteristics

The LU3X54FT is packaged in a 208-pin SQFP, plain plastic package (LU3X54FT-S208) or with an internal heat spreader (LU3X54FT-HS208). Both packages have identical dimensions and conform to the outline diagram in this data sheet. The heat spreader package provides enhanced thermal performance with a lower Theta-JC and Theta-JA.

The LU3X54FT-S208 plain package thermal characteristics can be enhanced with the use of an external heat sink. When a system designer finds that the die temperature exceeds either their or Lucent's (125 °C) maximum temperature limit, a heat sink is then often considered. Heat sink fitness for use needs to be determined by the system user! Each customers' requirements tend to be unique, determined by the thermal and physical constraints of the system; among them are cost, required Theta-CA, headroom above package, direction of airflow, preferred method of attachment, etc. Table 28. provides the thermal characteristics for each package and for the plain package with an Aavid Thermal Technology 70035B01100 external heat sink. Figure 9 provides a curve of Theta-JA versus airflow when using this Aavid heat sink on the plain package. This heat sink is one example of a heat sink that can work with our LU3X54FT transceiver.

Table 28. Thermal Characteristics

	Theta-JC (top)	Theta-JA (°C/W)		
	(°C/W)	0 fpm	200 fpm	500 fpm
Plain 208SQFP	20	26	22.6	20.9
Plain 208SQFP w/ Heat Sink*	20	23.5	13.5	12
208SQFP w/ Heat Spreader	10	16.1	13.3	12

Note: The above table is for the LU3X54FT in the 208SQFP style package (die up).

* Aavid 700353B01100.

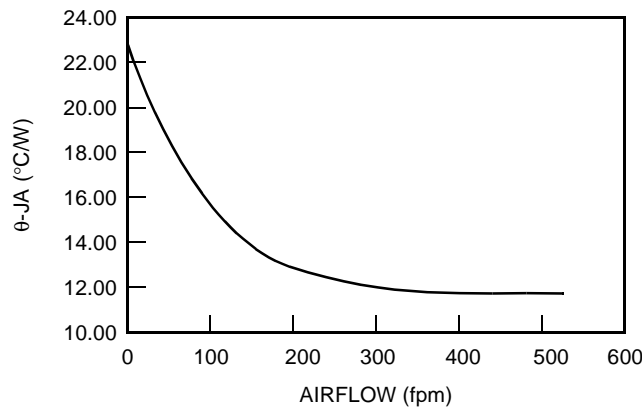


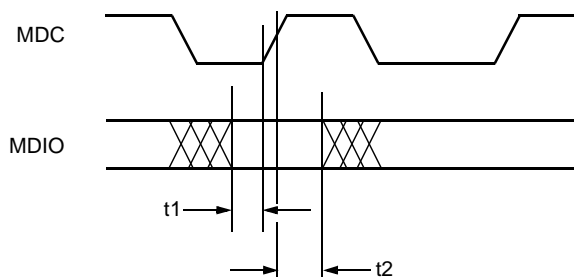
Figure 9. Thermal Characteristics

Timing Characteristics (Preliminary)

Table 29. MII Management Interface Timing (25 pF Load)

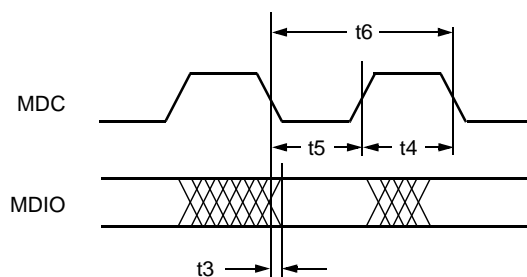
Name	Parameter	Min	Typ	Max	Unit
t1	MDIO Valid to Rising Edge of MDC (setup)	10	—	—	ns
t2	Rising Edge of MDC to MDIO Invalid (hold)	10	—	—	ns
t3	MDC Falling Edge to MDIO Valid (prop. delay)	0	—	40	ns
t4	MDC High*	—	200	—	ns
t5	MDC Low*	40	200	—	ns
t6	MDC Period*	80	400	—	ns

* When operating MDC above 6.25 MHz, MDC must be synchronous with LSCLK and have a setup time of 15 ns and a hold time of 5 ns, with respect to LSCLK.



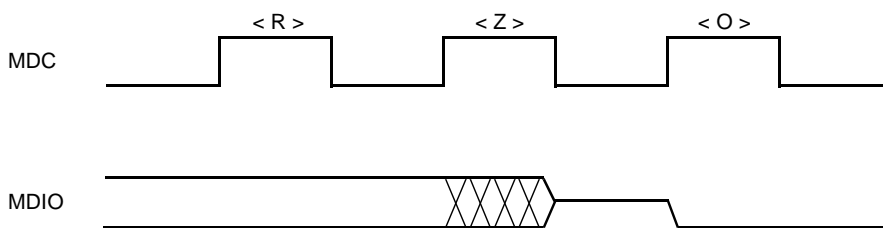
5-4959(F).r1

Figure 10. MDIO Input Timing



5-4960(F).c

Figure 11. MDIO Output Timing



5-5312(F)

Note: MDIO turnaround (TA) time is a 2-bit time spacing between the register address field, and the data field of a frame to avoid drive contention on MDIO during a read transaction. During a write to the LU3X54FT, these bits are driven to a 10 by the station. During a read, the MDIO is not driven during the first bit time and is driven to a 0 by the LU3X54FT during the second bit time.

Figure 12. MDIO During TA (Turnaround) of a Read Transaction

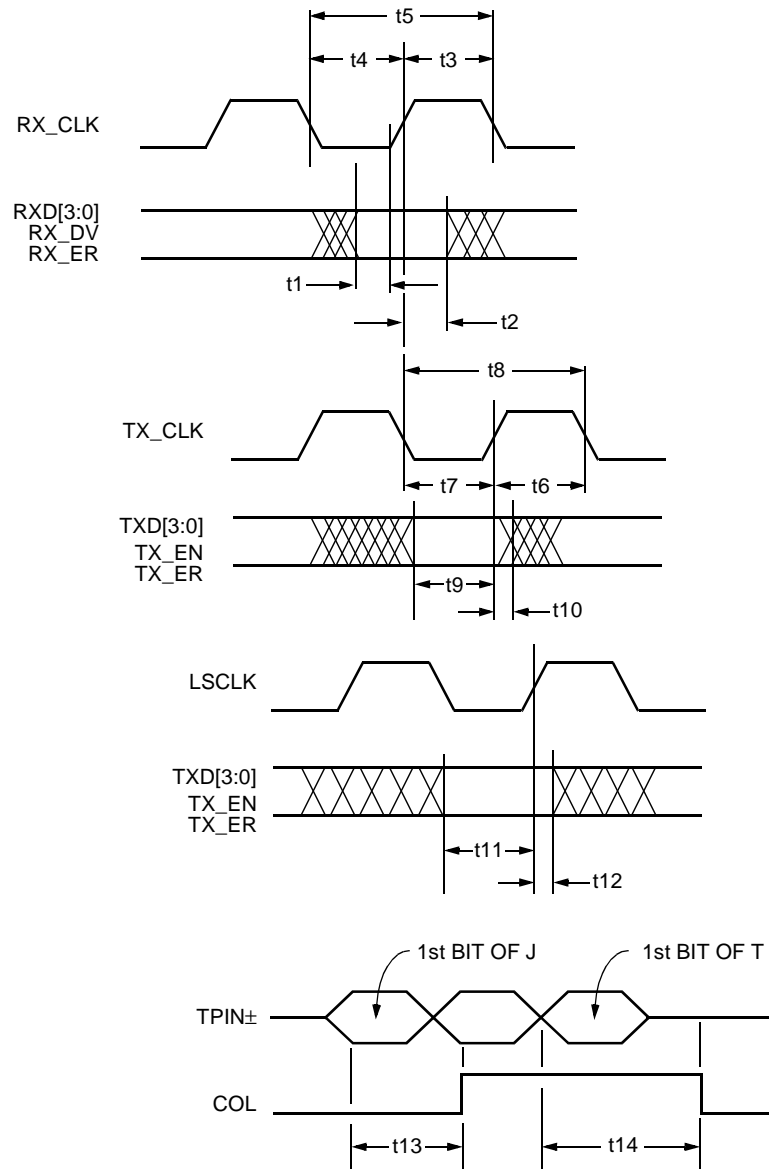
Timing Characteristics (Preliminary) (continued)

Table 30. MII Data Timing (25 pF Load)

Name	Parameter	Min	Typ	Max	Unit
t1	RXD[3:0], RX_ER, RX_DV Valid to RX_CLK High	10/100	—	—	ns
t2	RX_CLK High to RXD[3:0], RX_DV, RX_ER Invalid	10/100	—	—	ns
t3	RX_CLK High	14/180	—	26/220	ns
t4	RX_CLK Low	14/180	—	26/220	ns
t5	RX_CLK Period	—	40	—	ns
t6	TX_CLK High	14/180	—	26/220	ns
t7	TX_CLK Low	14/180	—	26/220	ns
t8	TX_CLK Period	—	40	—	ns
t9	TXD, TX_EN, TX_ER, Setup to TX_CLK	15/140	—	—	ns
t10	TXD, TX_EN, TX_ER, Hold to TX_CLK	0/0	—	—	ns
t11	TXD, TX_ER, Setup to LSCLK*	10	—	—	ns
t11b	TX_EN Setup to LSCLK*	10	—	—	ns
t12	TXD, TX_EN, TX_ER, Hold to LSCLK*	0	—	—	ns
t13	First Bit of J on TPIN± While Transmitting Data to COL Assert (half-duplex mode)	—	—	170	ns
t14	First Bit of T Received on TPIN± While Transmitting to COL Deasserted (half-duplex mode)	—	—	210	ns

* 100 Mbits/s only.

Timing Characteristics (Preliminary) (continued)



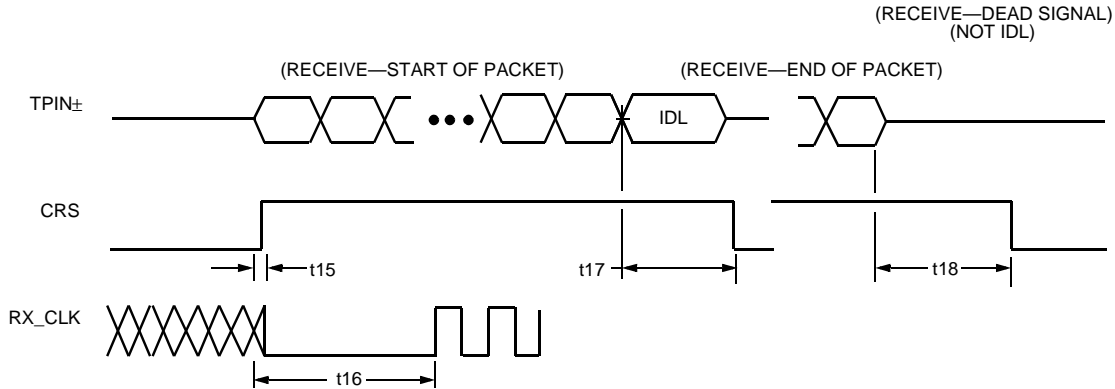
5-5432(F).b

Figure 13. MII Timing Requirements for LU3X54FT

Timing Characteristics (Preliminary) (continued)

Table 31. Serial 10 Mbps/s Timing for TPIN, CRS, and RX_CLK

Name	Parameter	Min	Max	Unit
t15	TPIN Activity to CRS Assertion	40	500	ns
t16	TPIN Activity to RX_CLK Valid	800	2300	ns
t17	IDL to CRS Deassertion	200	550	ns
t18	Dead Signal to CRS Deassertion	400	1000	ns

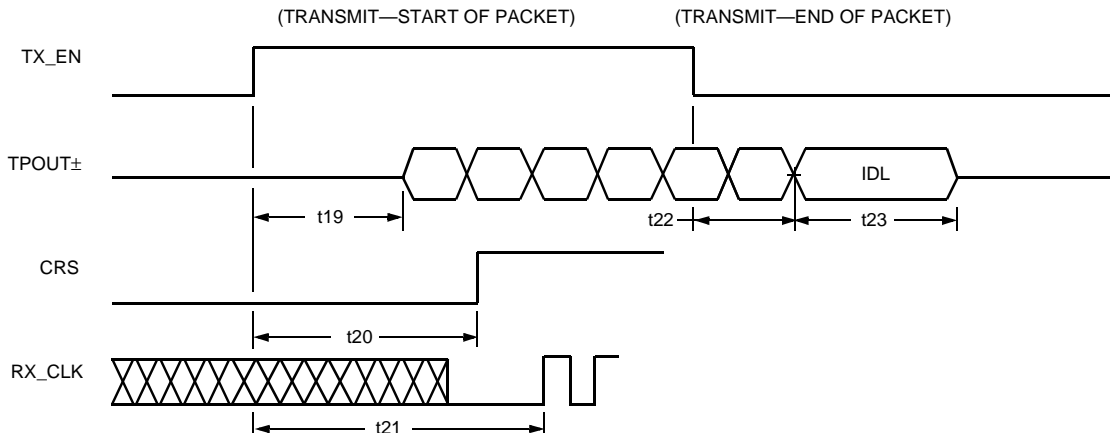


5-5293(F).i

Figure 14. Serial 10 Mbps/s Timing for TPIN, CRS, and RX_CLK

Table 32. Serial 10 Mbps/s Timing for TX_EN, TPOUT, CRS, and RX_CLK

Name	Parameter	Min	Max	Unit
t19	TX_EN Asserted to Transmit Pair Activity	50	400	ns
t20	TX_EN Asserted to CRS Asserted Due to Internal Loopback	5	1900	ns
t21	TX_EN Asserted to RX_CLK Valid Due to Internal Loopback	1000	1700	ns
t22	TX_EN Deasserted to IDL Transmission	50	300	ns
t23	IDL Pulse Width	250	350	ns



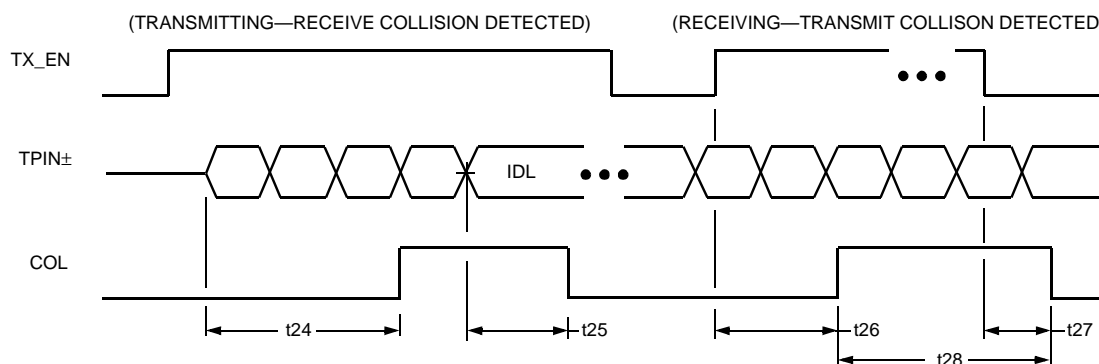
5-5293(F).j

Figure 15. Serial 10 Mbps/s Timing for TX_EN, TPOUT, CRS, and RX_CLK

Timing Characteristics (Preliminary) (continued)

Table 33. Serial 10 Mbps/s Timing for TX_EN, TPIN, and COL

Name	Parameter	Min	Max	Unit
t24	Time to Assert COL; LU3X54FT Is Transmitting; Receive Activity Starts	40	400	ns
t25	Time to Deassert COL; LU3X54FT Is Transmitting; Receive Activity Ceases	300	900	ns
t26	Time to Assert COL; LU3X54FT Is Receiving; Transmit Activity Starts	5	400	ns
t27	Time to Deassert COL; LU3X54FT Is Receiving; Transmit Activity Ceases	5	900	ns
t28	COL Pulse Width	100	—	ns



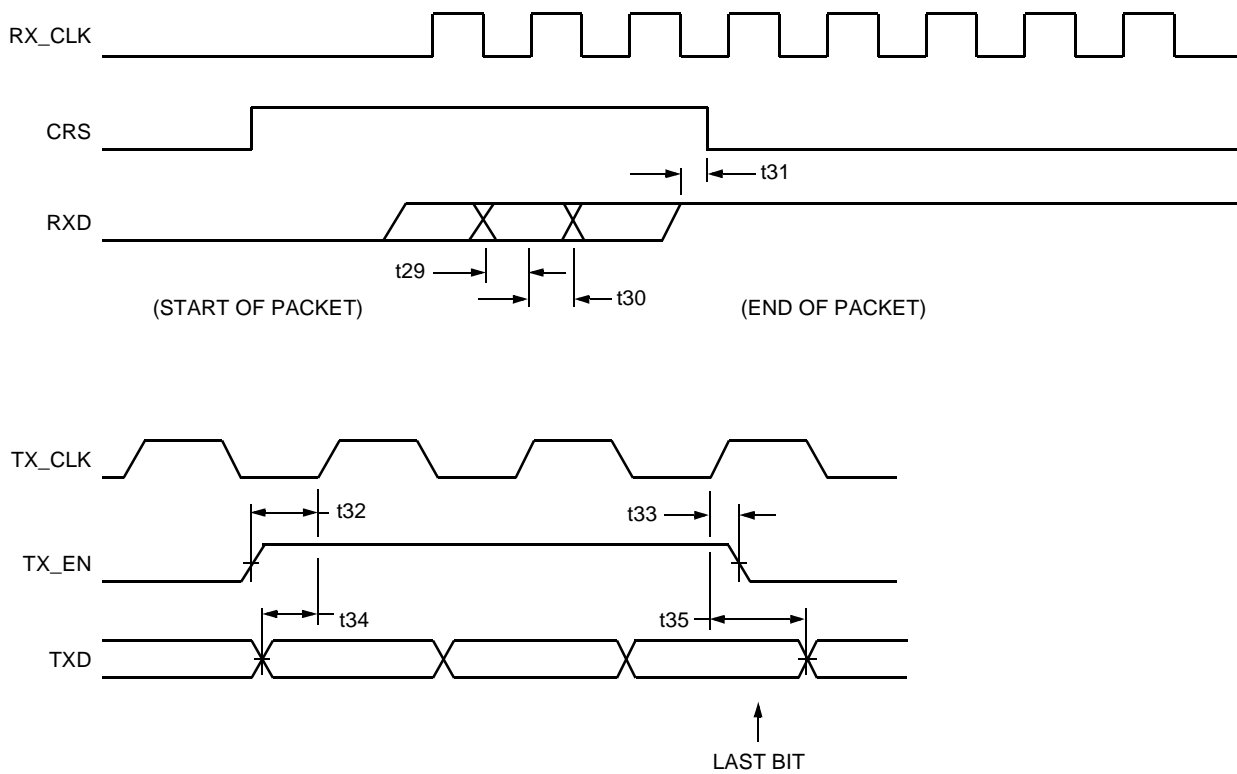
5-5293(F).k

Figure 16. Serial 10 Mbps/s Timing for TX_EN, TPIN, and COL

Timing Characteristics (Preliminary) (continued)

Table 34. Serial 10 Mbps/s Timing for RX_CLK, CRS, RXD, TX_CLK, TX_EN, and TXD (25 pF Load)

Name	Parameter	Min	Max	Unit
t29	RXD Setup Before RX_CLK Rising Edge	30	—	ns
t30	RXD Held Past RX_CLK Edge	30	—	ns
t31	RX_CLK Low to CRS Deassertion (at end of received packet)	40	—	ns
t32	TX_EN Setup Before TX_CLK Rising Edge	30	—	ns
t33	TX_EN Held Past TX_CLK Rising Edge	0	—	ns
t34	TXD Setup Before TX_CLK Rising Edge	30	—	ns
t35	TXD Held Past TX_CLK Rising Edge	0	—	ns



5-2736(F).dr1

Figure 17. Serial 10 Mbps/s Timing for RX_CLK, CRS, RXD, TX_CLK, TX_EN, and TXD

Timing Characteristics (Preliminary) (continued)

Table 35. Serial 10 Mbps/s Timing for RX_CLK and TX_CLK (25 pF Load)

Name	Parameter	Min	Max	Unit
t36	RX_CLK Low Pulse Width	45	55	ns
t37	RX_CLK High Pulse Width	45	55	ns
t38	TX_CLK Low Pulse Width	45	55	ns
t39	TX_CLK High Pulse Width	45	55	ns

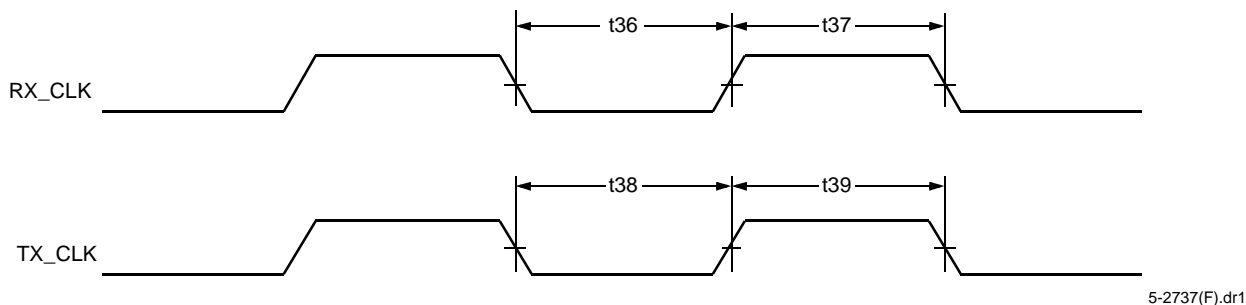
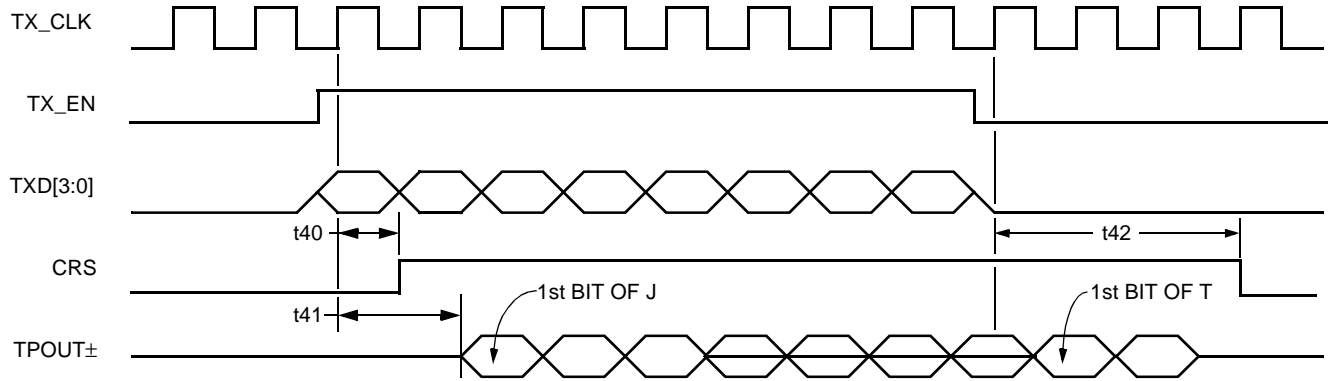


Figure 18. Serial 10 Mbps/s Timing Diagram for RX_CLK and TX_CLK

Timing Characteristics (Preliminary) (continued)

Table 36. 100 Mb/s MII Transmit Timing

Name	Parameter	Min	Max	Unit
t40	Rising Edge of TX_CLK Following TX_EN Assertion to CRS Assertion	—	40	ns
t41	Rising Edge of TX_CLK Following TX_EN Assertion to TPOUT±	—	60	ns
t42	Rising Edge of TX_CLK Following TX_EN Deassertion to CRS Deassertion	—	40	ns



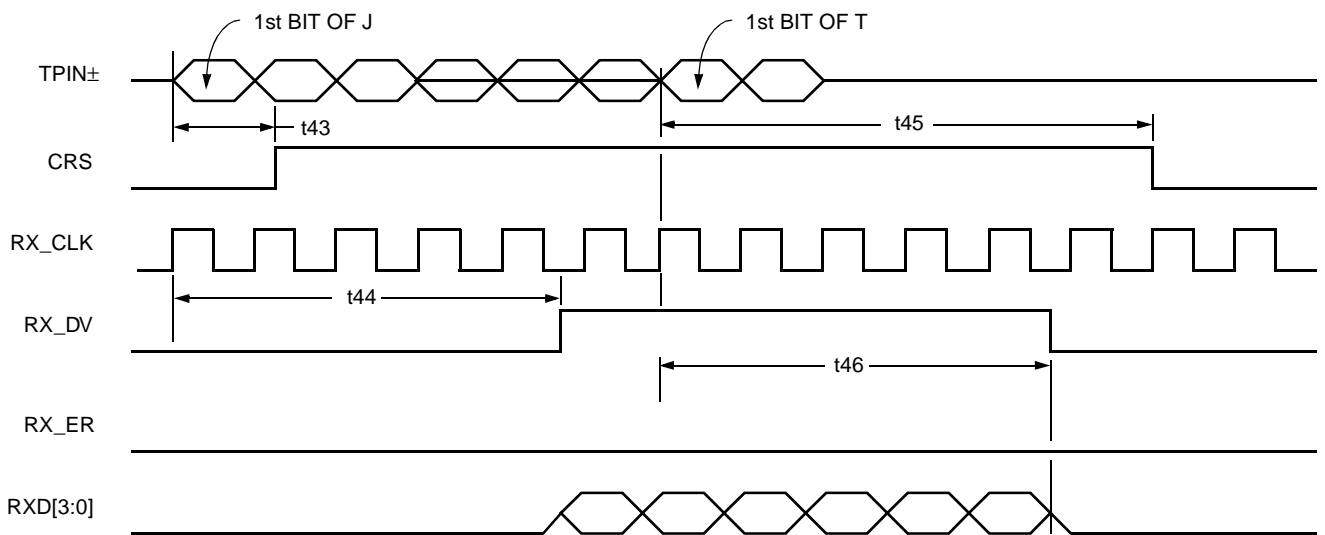
5-3745(F).d

Figure 19. 100 Mb/s MII Transmit Timing

Timing Characteristics (Preliminary) (continued)

Table 37. 100 Mbits/s MII Receive Timing

Name	Parameter	Min	Max	Unit
t43	TPIN± 1st Bit of J Receive Activity to CRS Asserted	—	170	ns
t44	TPIN± Receive Activity to Receive Data Valid	—	210	ns
t45	TPIN± Receive Activity Cease (1st bit of T) to CRS Deasserted	—	210	ns
t46	TPIN± Receive Activity Cease (1st bit of T) to Receive Data Not Valid	—	210	ns



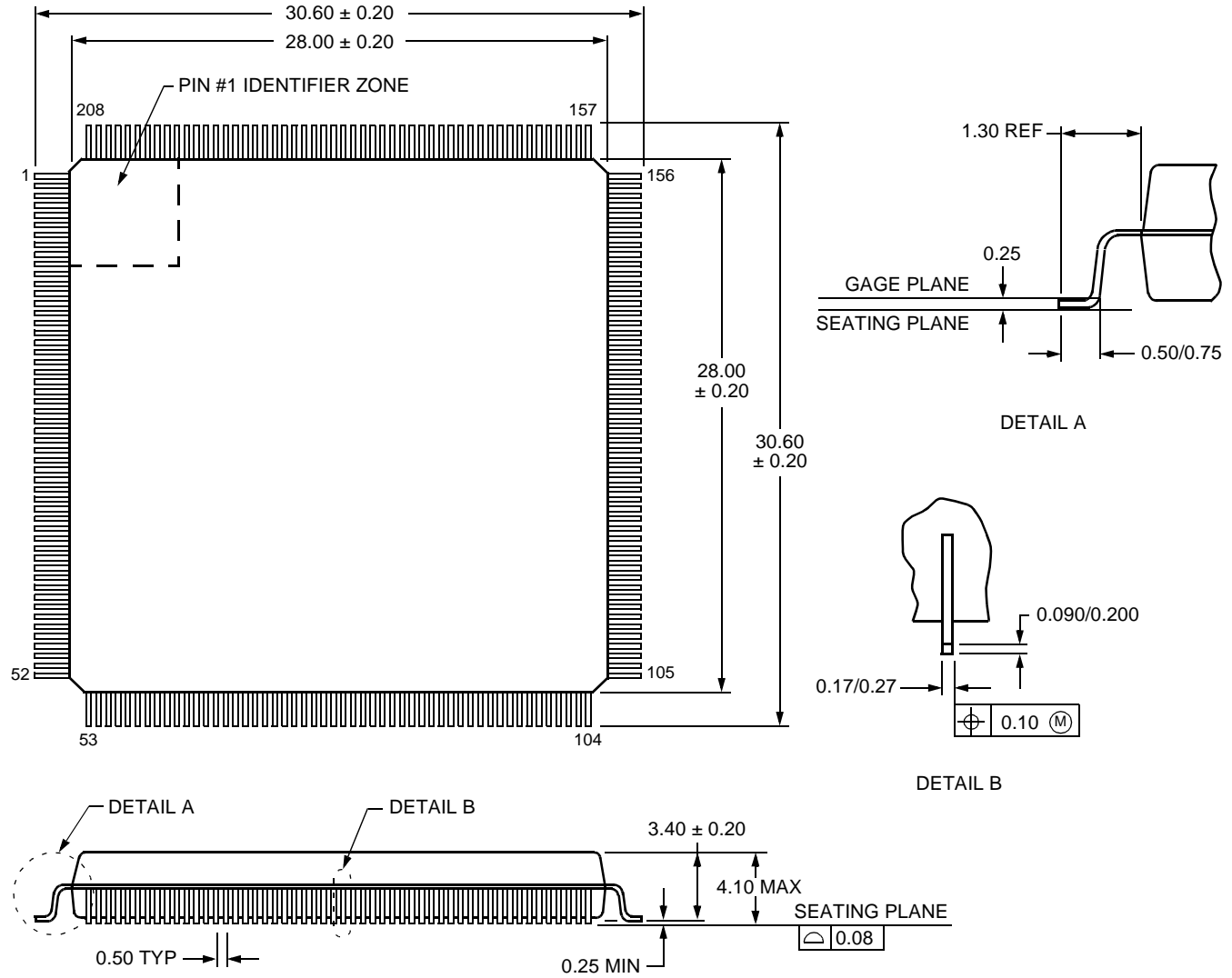
5-3747(F).d

Figure 20. 100 Mbits/s MII Receive Timing

Outline Diagram

208-Pin SQFP

Dimensions are in millimeters.



5-2196(F).r13

Ordering Information

Device Code	Comcode	Package	Temperature
LU3X54FT-HS208	108193384	208-Pin SQFPH (Heat Spreader)	0 °C to 70 °C
LU3X54FT-S208	108297334	208-Pin SQFP	0 °C to 70 °C*

*Refer to package and thermal characteristics

For additional information, contact your Microelectronics Group Account Manager or the following:

INTERNET: <http://www.lucent.com/micro>

E-MAIL: docmaster@micro.lucent.com

N. AMERICA: Microelectronics Group, Lucent Technologies Inc., 555 Union Boulevard, Room 30L-15P-BA, Allentown, PA 18109-3286
1-800-372-2447, FAX 610-712-4106 (In CANADA: **1-800-553-2448**, FAX 610-712-4106)

ASIA PACIFIC: Microelectronics Group, Lucent Technologies Singapore Pte. Ltd., 77 Science Park Drive, #03-18 Cintech III, Singapore 118256
Tel. (65) 778 8833, FAX (65) 777 7495

CHINA: Microelectronics Group, Lucent Technologies (China) Co., Ltd., A-F2, 23/F, Zao Fong Universe Building, 1800 Zhong Shan Xi Road, Shanghai 200233 P. R. China **Tel. (86) 21 6440 0468, ext. 325**, FAX (86) 21 6440 0652

JAPAN: Microelectronics Group, Lucent Technologies Japan Ltd., 7-18, Higashi-Gotanda 2-chome, Shinagawa-ku, Tokyo 141, Japan
Tel. (81) 3 5421 1600, FAX (81) 3 5421 1700

EUROPE: Data Requests: MICROELECTRONICS GROUP DATALINE: **Tel. (44) 1189 324 299**, FAX (44) 1189 328 148

Technical Inquiries: GERMANY: **(49) 89 95086 0** (Munich), UNITED KINGDOM: **(44) 1344 865 900** (Bracknell),

FRANCE: **(33) 1 48 83 68 00** (Paris), SWEDEN: **(46) 8 600 7070** (Stockholm), FINLAND: **(358) 9 4354 2800** (Helsinki),

ITALY: **(39) 2 6608131** (Milan), SPAIN: **(34) 1 807 1441** (Madrid)

Lucent Technologies Inc. reserves the right to make changes to the product(s) or information contained herein without notice. No liability is assumed as a result of their use or application. No rights under any patent accompany the sale of any such product(s) or information.

