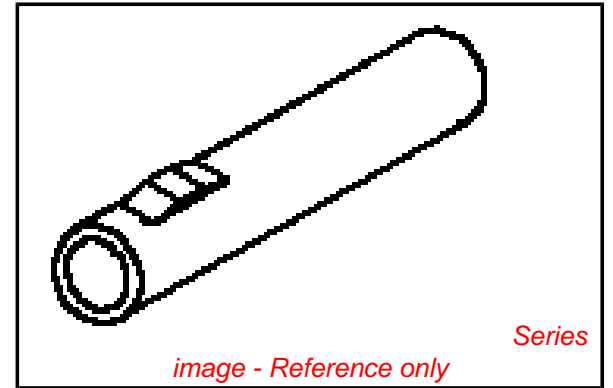


PLEASE CHECK WWW.MOLEX.COM FOR LATEST PART INFORMATION

Part Number: [0003091011](#)
Status: **Active**
Overview: [standard_093](#)
Description: 2.36mm (.093") Diameter Standard .093 Pin and Socket Receptacle Housing, 1 Circuit, Friction Lock

Documents:

3D Model	Product Specification PS-42477 (PDF)
Packaging Specification (PDF)	Product Specification PS-43660-9999 (PDF)
Drawing (PDF)	RoHS Certificate of Compliance (PDF)
Product Specification PS-02-09 (PDF)	



Agency Certification

CSA	LR19980
TUV	R9351032
UL	E29179

General

Product Family	Crimp Housings
Series	1619
Comments	17.0A max. can be achieved when housing is used with 42477 or 42478 terminals
MolexKits	Yes
Overview	standard_093
Product Name	Standard .093"

Physical

Circuits (maximum)	1
Color - Resin	Natural
Flammability	94V-2
Gender	Dual
Glow-Wire Compliant	No
Material - Resin	Nylon
Number of Rows	1
Packaging Type	Bag
Panel Mount	No
Pitch - Mating Interface (in)	0.198 In
Pitch - Mating Interface (mm)	5.03 mm
Stackable	No
Temperature Range - Operating	-40°C to +105°C

Electrical

Current - Maximum per Contact	14A
-------------------------------	-----

Material Info

Old Part Number	1619-1R1B5N1A5
-----------------	----------------

Reference - Drawing Numbers

Packaging Specification	PK-1619-001
Product Specification	PS-02-09, PS-42477, PS-43660-9999
Sales Drawing	SD-1619-1R*

EU RoHS

ELV and RoHS Compliant
REACH SVHC
Contains SVHC: No
Halogen-Free
Status

China RoHS



Need more information on product environmental compliance?

Email productcompliance@molex.com
 For a multiple part number RoHS Certificate of Compliance, [click here](#)

Please visit the [Contact Us](#) section for any non-product compliance questions.

Search Parts in this Series

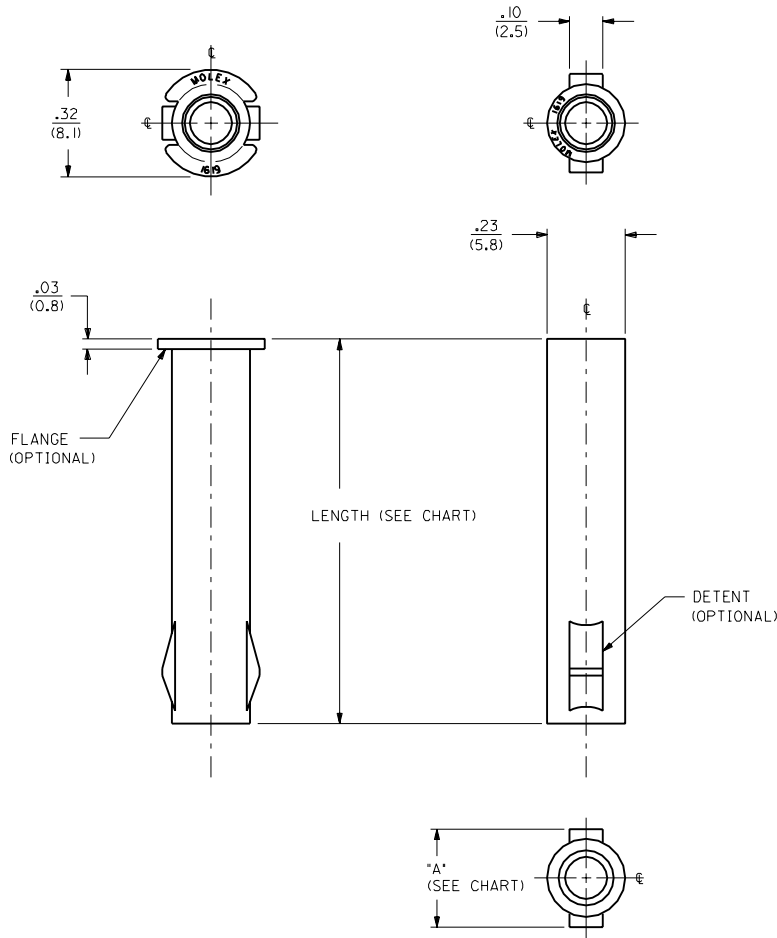
[1619Series](#)

Mates With

[1619p](#)

Use With

[1189](#) Crimp Terminals, [1190](#) Crimp Terminals, [1376](#) Male PC Tail Terminals, [1377](#) Female PC Tail Terminals, [1380](#) Male Crimp Terminals, [1381](#) Female Crimp Terminals, [1433](#) Crimp Terminals, [1434](#) Male Crimp Terminals, [1973](#) , [2151](#) , [2273](#) , [2870](#) , [2871](#) , [4272](#) , [4550](#) , [6271](#) , [6310](#) , [42477](#) , [42478](#)



Y1	OBSOLETE VERSIONS PER ECR US 0358 CXC 9/15/95			RW
2	Y1	Y	REDRAWN PER ECR U2-1543	
1	Y1		AFG 92-10-22 RW	
MMB	SH.	REV.	LTR.	REVISIONS

REVISE ONLY ON CAD SYSTEM

DIMENSIONS SHOWN METRIC (INCH)		$\nabla = 0$	$\blacktriangledown = 0$	TITLE	
UNLESS OTHERWISE SPECIFIED TOLERANCES: ANGULAR $\pm 1/2^\circ$		1 CKT. HOUSING RECEPTACLE .093/(2.36) DIAMETER			
	INCH	METRIC	PART NO. DRWG. NO.		
3 PLACE	$\pm .010$	---	MOLEX INCORPORATED		
2 PLACE	$\pm .014$	± 0.25	LITSEJLL. 60532		
1 PLACE	---	± 0.35	SHEET NO. DATE		
DRAFT WHERE APPLICABLE MUST REMAIN WITHIN DIMENSIONS		4 : 1		1 OF 2 92/10/22	
DRWG. BY	CHKD. BY	SCALE	FILE NAME	THIS DRAWING CONTAINS INFORMATION THAT IS PROPRIETARY TO MOLEX INC. AND SHOULD NOT BE USED WITHOUT WRITTEN PERMISSION.	
RAS	RW	4 : 1	SR1619X1 D001	DIV. SIZE	
			SD-1619-IR		
			CP C		

ORDER NO.	ENG. NO.	MATERIAL	LENGTH	DIMENSION "A"	DETENT	FLANGE	MARKING METHOD	COLOR
03-09-1011	16 19-IR1B5N1A5	I	B	5	N	I	A	5
03-09-6011	16 19-IR1B5N1A6	I	B	5	N	I	A	6
03-09-6012	16 19-IR1B5N1A7	I	B	5	N	I	A	7
03-09-6013	16 19-IR1B5N1A8	I	B	5	N	I	A	8

NOTES:

1. THIS HOUSING IS FOR USE WITH THE .093/(2.36) DIA. TERMINALS.
2. PRODUCT SPEC. 02-09 APPLIES.
3. FOR VERSIONS SPECIFYING LENGTH "B", PARTS PROVIDED FROM TOOLS BUILT PRIOR TO 9/86 HAVE AN OVERALL LENGTH SPECIFICATION OF 1.00/(25.4).

LEGEND

16 19-IR*****

CIRCUIT SIZE

TYPE

R) RECEPTACLE

MATERIAL

- 1) NYLON, TYPE 6/6, FLAMMABILITY RATING: 94V-2.
- 2) NYLON, TYPE 6/6, FLAMMABILITY RATING: 94V-0, MONSANTO M-340.
- 3) POLYPROPYLENE, FLAMMABILITY RATING: 94V-0, A. SCHULMAN - POLYFLAM[®] R.P.P.-958

LENGTH

- B) 1.03/(26.2)
- C) 1.15/(29.2)

DIMENSION "A"

- 5) .297/(7.54)
- 6) .294/(7.47)
- 7) NONE

DETENT

- M) NONE
- N) WITH DETENT

COLOR

- 1) AMBER
- 2) BROWN
- 3) ORANGE
- 4) GRAY
- 5) NATURAL
- 6) BLACK
- 7) RED
- 8) BLUE
- 9) GREEN
- 0) YELLOW

MARKING METHOD

- A) NOT APPLICABLE

FLANGE

- 1) NONE
- 2) WITH FLANGE

DIMENSIONS SHOWN METRIC (INCH)		UNLESS OTHERWISE SPECIFIED TOLERANCES: ANGULAR ± 1/2°		REVISIONS ONLY ON CAD SYSTEM	
INCH		METRIC		TITLE	
3 PLACE	± .010	---	---	1 CKT. HOUSING RECEPTACLE .093/(2.36) DIAMETER	
2 PLACE	± .014	± 0.25	---		
1 PLACE	---	± 0.35	---		
DRAFT WHERE APPLICABLE MUST REMAIN WITHIN DIMENSIONS				PART NO. DRWG. NO.	
DRWG. BY: AFG		CHKD. BY: RW		FILE NAME: SD-16 19-IR*	
APP'D. BY: RAS		SCALE: --:--		THIS DRAWING CONTAINS INFORMATION THAT IS PROPRIETARY TO MOLEX INC. AND SHOULD NOT BE USED WITHOUT WRITTEN PERMISSION.	
LTR. REVISIONS		LTR. REVISIONS		DIV. SIZE CP C	