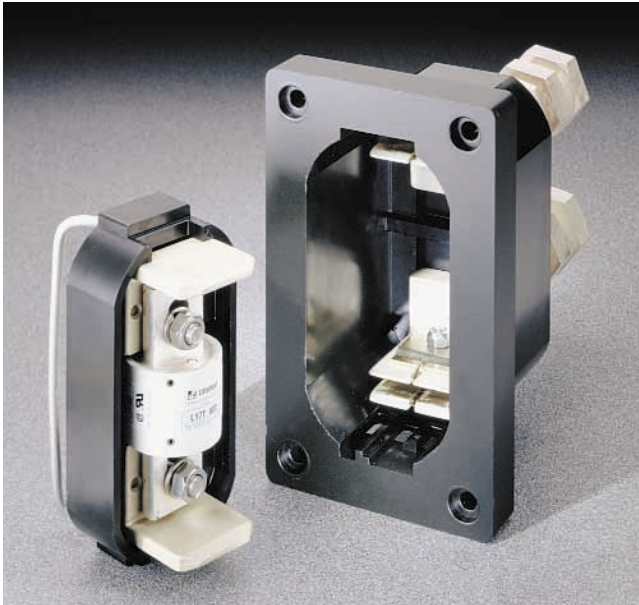


LTFD Series Telecommunications Disconnect Switch

145 VDC, 60 VDC ■ 70 – 1200 Amperes

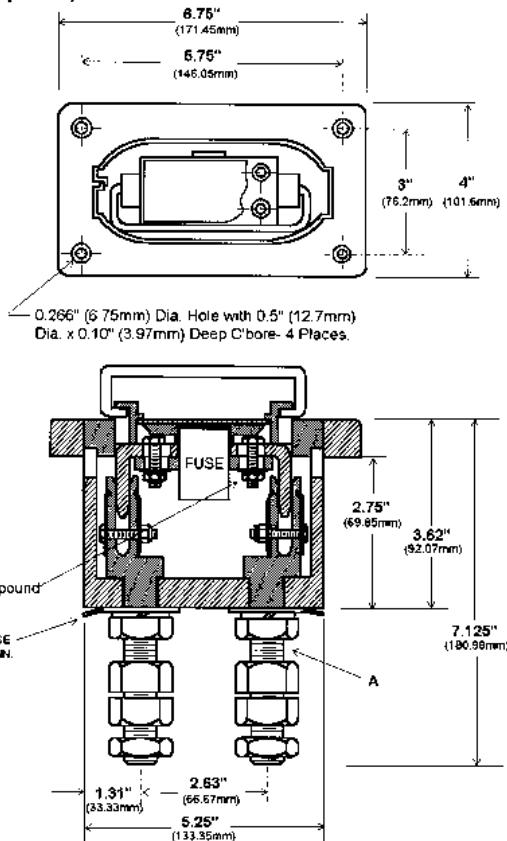


NEW



Littelfuse's compact LTFD Series holders are designed for use as a combination fuseholder and disconnect switch for telecommunications equipment. The rugged unit utilizes a pull-out fuse carrier to safely disconnect power and provide easy fuse replacement.

LTFD 6001 Series (0–800 Amperes)



SPECIFICATIONS

Voltage Rating: 145 VDC 70 – 600 amperes
60 VDC 800 – 1200 amperes

Ampere Range: 70 – 1200 amperes

Approvals: UL Recognized (E122674)

RECOMMENDED FUSES

L17T Series fuses

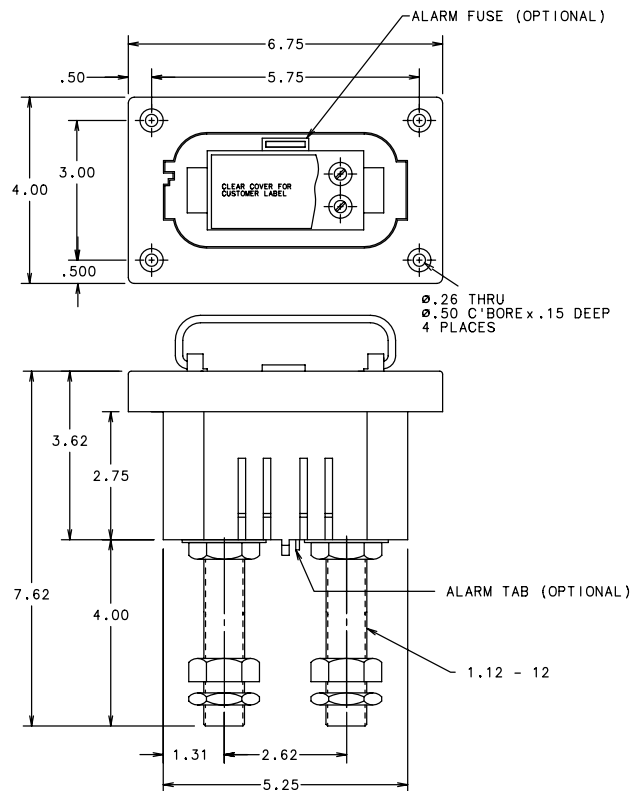
ORDERING INFORMATION

Catalog No.	Stud Size (A)	Amperes	Contact Nut Max. Torque
LTFD6001-00	3/4 – 16 x 3.5 in.	70 – 600	100 feet-pound
LTFD6001-01	7/8 – 14 x 3.5 in.	70 – 800	120 feet-pound
LTFD1200-01	1.12 – 12 x 4 in	900 – 1200	120 feet-pound
LTFD1200-01A	1.12 – 12 x 4 in	900 – 1200	120 feet-pound

FEATURES

- Innovative pullout design of the 1200A switch eliminates the need for tools to replace the fuse
- Thermoplastic housing material
- Alarm signaling circuit

LTFD 1200A (9–1200 Amperes)



Dimensions for reference only.