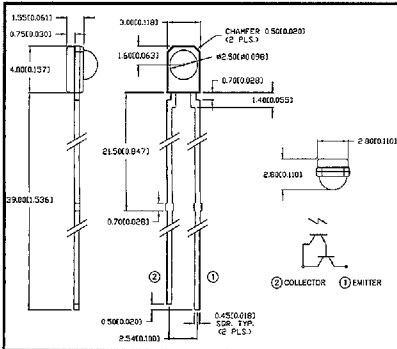


# discrete sensors photodarlington transistors



## SIDE LOOKING PACKAGES

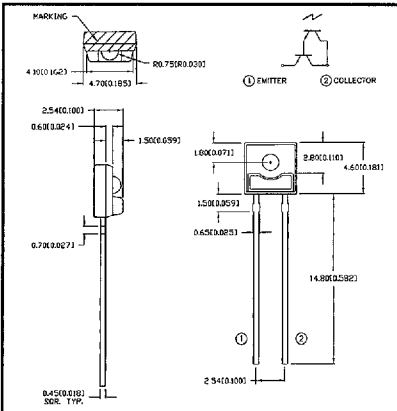
**OED-PT-304R2**



Package Style	Lens	Limits of Safe Operation			ICEO @ 10 V <sub>CEO</sub> (nA) Max
		V <sub>CEO</sub> (V) Max	PC (mW) Max	t-opr (°C)	
Side Looking Leaded	Black Resin	30	75	-20 ~ + 85	1000

I <sub>c</sub> (mA) @ EV ~ 1000 Lx				λ <sub>p</sub> (nm) Typ	Δθ deg Typ	λ (nm)	tr/τf @ V <sub>EC</sub> 5V I <sub>c</sub> 1mA
Min	Typ	Max	V <sub>CE</sub> (V)				
5.0	—	—	5.0	850	±40	500 ~ 1000	65/75 μS

**OED-PT-23G**

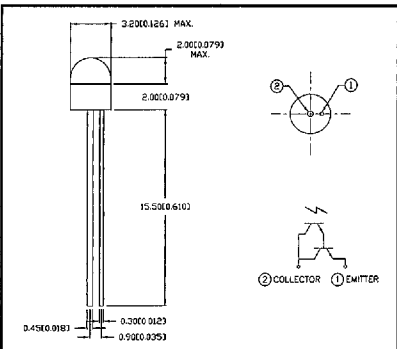


Package Style	Lens	Limits of Safe Operation			ICEO @ 10 V <sub>CEO</sub> (nA) Max
		V <sub>CEO</sub> (V) Max	PC (mW) Max	t-opr (°C)	
Side Looking Leaded	Clear Resin	30	150	-20 ~ + 100	1000

I <sub>c</sub> (mA) @ EV ~ 1000 Lx				λ <sub>p</sub> (nm) Typ	Δθ deg Typ	λ (nm)	tr/τf @ V <sub>EC</sub> 5V I <sub>c</sub> 1mA
Min	Typ	Max	V <sub>CE</sub> (V)				
5.0	—	—	5.0	800	±30	480 ~ 1000	65/75 μS

## RADIAL LEADED, EPOXY LENS PACKAGES

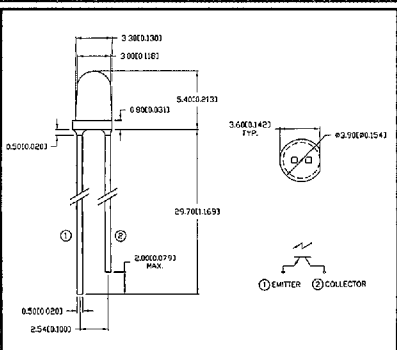
**OED-PT-1CL3**



Package Style	Lens	Limits of Safe Operation			ICEO @ 10 V <sub>CEO</sub> (nA) Max
		V <sub>CEO</sub> (V) Max	PC (mW) Max	t-opr (°C)	
T-3mm Ceramic Stem	Clear Resin	20	100	-25 ~ + 85	100

I <sub>c</sub> (mA) @ EV ~ 1000 Lx				λ <sub>p</sub> (nm) Typ	Δθ deg Typ	λ (nm)	tr/τf @ V <sub>EC</sub> 5V I <sub>c</sub> 1mA
Min	Typ	Max	V <sub>CE</sub> (V)				
5.0	—	—	5.0	800	±50	480 ~ 1000	65/75 μS

**OED-PT-8L**



Package Style	Lens	Limits of Safe Operation			ICEO @ 10 V <sub>CEO</sub> (nA) Max
		V <sub>CEO</sub> (V) Max	PC (mW) Max	t-opr (°C)	
T-3mm Leaded	Clear Resin	20	100	-20 ~ + 80	1000

I <sub>c</sub> (mA) @ EV ~ 1000 Lx				λ <sub>p</sub> (nm) Typ	Δθ deg Typ	λ (nm)	tr/τf @ V <sub>EC</sub> 5V I <sub>c</sub> 1mA
Min	Typ	Max	V <sub>CE</sub> (V)				
5.0	—	—	5.0	800	±20	480 ~ 1000	40/60 μS