

SERIES EL512 ECL (10K COMPATIBLE) LOGIC DELAY MODULES – 10 TAPS

- 10 Taps 32 Pin DIP Package
- ECL Input & Output Levels
- 10 Equally Spaced Taps
- 70 ECL DC Fan-out Capacity

Specifications:

- Supply Voltage : -5.2VDC to Vee
- Logic 1 Voltage⁽³⁾ : -.96v
- Logic 1 Current : 265µA Max
- Logic 0 Voltage : -1.65v
- Logic 0 Current : 1.0µA
- Operating Temperature : -30°C to 85°C
- Power Dissipation : 400mW Typ. (No load)
- Temperature Coefficient : ≥300PPM/°C



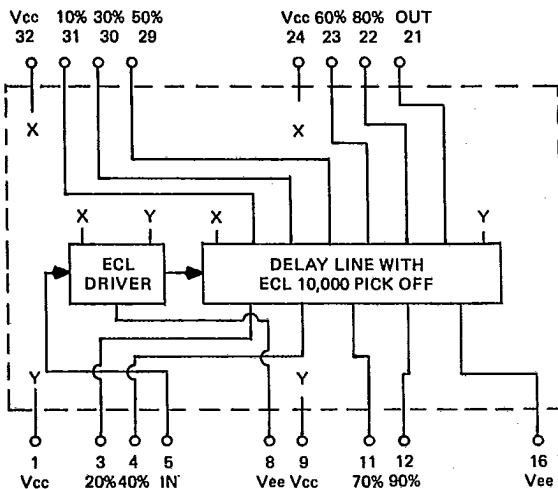
Test Conditions:

- Input Pulse-Width : Min. 40% of Total Delay
- Input Pulse Rise Time : 2NSEC Max
- Input Pulse Voltage : 1v (-0.75vH to -1.75vL)
- Vee Supply Voltage : -5.2VDC
- Vee Supply Current : 40mA Typ.

Electrical Specifications at 25°C

Part Number	Total Delay NSEC (1)	Tap to Tap Delay NS (1)	Rise Time NS Max (2)
EL512-10*	9	1	2.5
EL512-20*	18	2	2.5
EL512-25*	22.5	2.5	2.5
EL512-40*	36	4	3
EL512-50*	45	5	4
EL512-60	60	6	4
EL512-75	75	7.5	5
EL512-100	100	10	5
EL512-150	150	15	7
EL512-200	200	20	8
EL512-250	250	25	10
EL512-300	300	30	16
EL512-400	400	40	18
EL512-500	500	50	20
EL512-750	750	75	25
EL512-1000	1000	100	30
EL512-1500	1500	150	40

Note: (1) Measured at -1.3v level leading edge, Tol, ±5% or ±1NS whichever is greater.
 (2) Measured from 20% to 80% Pulse Amplitude.
 *Time Delay measurements referenced to 1st Tap.
 (3) Outputs terminated through 270 ohms to -5.2VDC.



SCHMATIC

