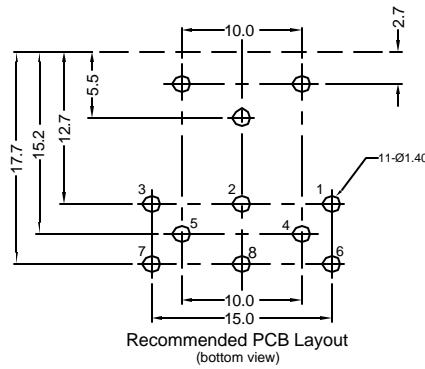
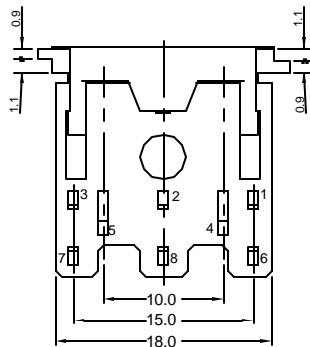
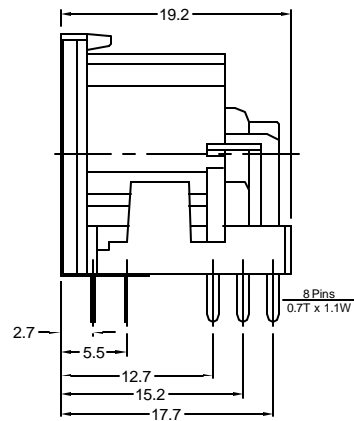


KCDX-8S-S



### Materials and Finish

Material-PBT Thermoplastic  
 UL94V-0 Rated  
 Color: black  
 Contact-Brass, Tin Plated  
 Shield: Phosphor Bronze, Nickel plated.

### Mechanical Characteristics

Insertion Force  
 0.5kg - 4.5kg  
 Withdrawal Force  
 0.5kg - 4.5kg  
 Durability  
 5000 cycles

### Electrical Characteristics

Rated Current: 2.0 AMP DC  
 Rated Voltage: 24.0 V DC  
 Insulation Resistance  
 100 Megohms min. at 500V DC  
 Contact Resistance  
 Before Test: 50 Milliohms max.  
 After Test: 100 Milliohms max.  
 Dielectric Withstanding Voltage  
 500V AC for 1 minute  
 Operating Temperature  
 -25°C to 85°C

**RoHS COMPLIANT**  
 EU Directive 2002/95/EC

KCDX-3S-S	KCDX-4S-S	KCDX-6S-S	KCDX-7S-S

Tolerances
X.X ± 0.25
X.XX ± 0.15
Unless Stated Otherwise



REV.	DATE	DESCRIPTION	REV. BY	CHK. BY	DRAWN BY	DATE
A0	2/2/06	New Drawing	R. Aguirre	H. MA	R. Aguirre	01/17/06
A1	4/10/06	Release Drawing	H. MA	N/A		

**KCDX-xS-S**  
 X= number of contacts

UNITS  
 mm

**Circular DIN, RoHS Compliant**  
**Front Shielded, 10mm Tab Spacing**

