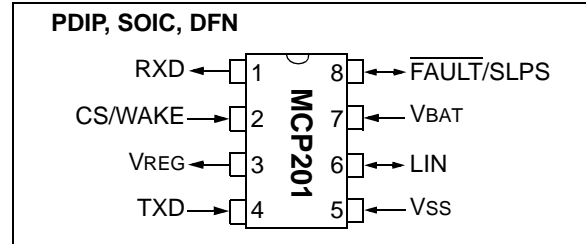


LIN Transceiver with Voltage Regulator

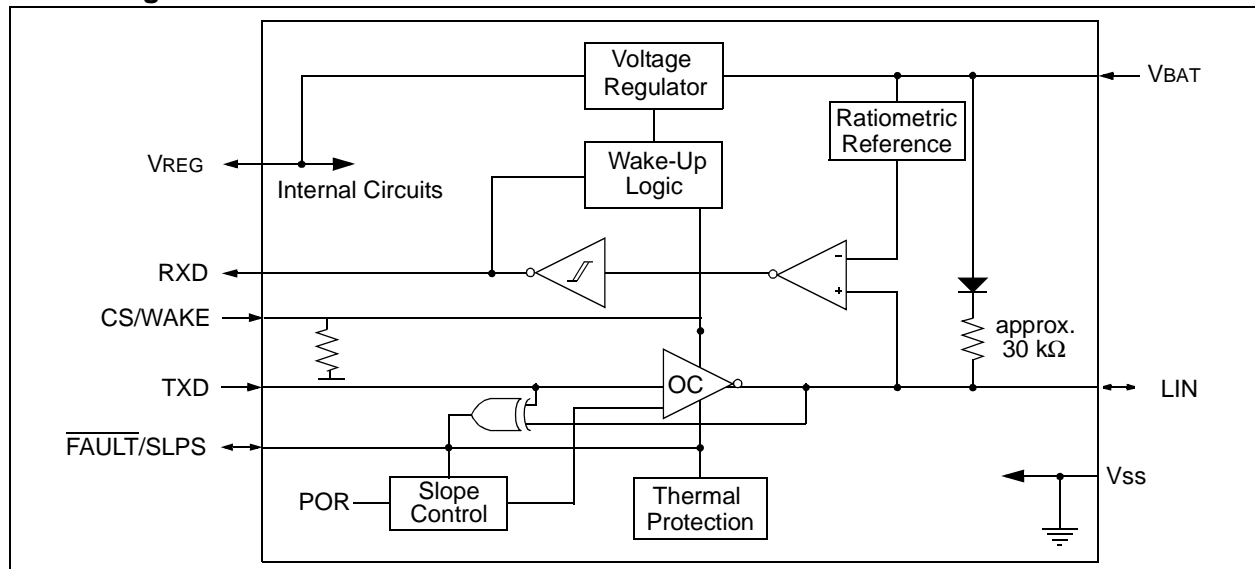
Features

- Supports baud rates up to 20 Kbaud
- 40V load dump protected
- Wide supply voltage, 6.0 – 18.0V, continuous
 - Maximum input voltage of 30V
- Extended Temperature Range: -40°C to +125°C
- Interface to standard USARTs
- Compatible with LIN Spec 1.3
- Local Interconnect Network (LIN) Line pin:
 - Internal pull-up resistor and diode
 - Protected against ground shorts (LIN pin to ground)
 - Protected against LIN pin loss of ground
 - High current drive, $40\text{ mA} \leq I_{OL} \leq 200\text{ mA}$
- Automatic thermal shutdown
- On-board Voltage Regulator:
 - Output voltage of 5V with $\pm 5\%$ tolerances over temperature range
 - Maximum output current of 50 mA
 - Able to drive an external series-pass transistor for increased current supply capability
 - Internal thermal overload protection
 - Internal short-circuit current limit
 - External components limited to filter capacitor only and load capacitor

Package Types



Block Diagram



MCP201

NOTES:

1.0 DEVICE OVERVIEW

The MCP201 provides a physical interface between a microcontroller and a LIN half-duplex bus. It is intended for automotive and industrial applications with serial bus speeds up to 20 Kbaud.

The MCP201 provides a half-duplex, bidirectional communications interface between a microcontroller and the serial network bus. This device will translate the CMOS/TTL logic levels to LIN level logic, and vice versa.

The LIN specification 1.3 requires that the transceiver of all nodes in the system be connected via the LIN pin, referenced to ground and with a maximum external termination resistance of 510Ω from LIN bus to battery supply. The 510Ω corresponds to 1 Master and 16 Slave nodes.

The MCP201 provides a +5V 50 mA regulated power output. The regulator uses a LDO design, is short-circuit-protected and will turn the regulator output off if it falls below 3.5V. The MCP201 also includes thermal shutdown protection. The regulator has been specifically designed to operate in the automotive environment and will survive reverse battery connections, +40V load dump transients and double-battery jumps (see **Section 1.6 “Internal Voltage Regulator”**).

1.1 Optional External Protection

1.1.1 TRANSIENT VOLTAGE PROTECTION (LOAD DUMP)

An external 27V transient suppressor (TVS) diode, between VBAT and ground, with a 50Ω resistor in series with the battery supply and the VBAT pin serve to protect the device from power transients (see Figure 1-2) and ESD events. While this protection is optional, it should be considered as good engineering practice.

1.1.2 REVERSE BATTERY PROTECTION

An external reverse-battery-blocking diode can be used to provide polarity protection (see Figure 1-2). This protection is optional, but should be considered as good engineering practice.

1.2 Internal Protection

1.2.1 ESD PROTECTION

For component-level ESD ratings, please refer to the maximum operation specifications.

1.2.2 GROUND LOSS PROTECTION

The LIN Bus specification states that the LIN pin must transition to the recessive state when ground is disconnected. Therefore, a loss of ground effectively forces the LIN line to a hi-impedance level.

1.2.3 THERMAL PROTECTION

The thermal protection circuit monitors the die temperature and is able to shut down the LIN transmitter and voltage regulator. Refer to Table 1-1 for details.

There are three causes for a thermal overload. A thermal shut down can be triggered by any one, or a combination of, the following thermal overload conditions.

- Voltage regulator overload
- LIN bus output overload
- Increase in die temperature due to increase in environment temperature

Driving the TXD and checking the RXD pin makes it possible to determine whether there is a bus contention (Rx = low, Tx = high) or a thermal overload condition (Rx = high, Tx = low).

Note: After recovering from a thermal, bus or voltage regulator overload condition, the device will be in the Ready1 mode. In order to go into Operational mode, CS/WAKE pin has to be toggled.

TABLE 1-1: SOURCES OF THERMAL OVERLOAD

TXD	RXD	Comments
L	H	LIN transmitter shutdown, receiver and voltage regulator active, thermal overload condition.
H	L	Regulator shutdown, receiver active, bus contention.

Legend: x = Don't care, L = Low, H = High

Note 1: LIN transceiver overload current on the LIN pin is 200 mA.

2: Voltage regulator overload current on voltage regulator greater than 50 mA.

MCP201

1.3 Modes of Operation

For an overview of all operational modes, please refer to Table 1-2.

1.3.1 POWER-DOWN MODE

In the Power-down mode, the transmitter and the voltage regulator are both off. Only the receiver section and the CS/WAKE pin wake-up circuits are in operation. This is the lowest power mode.

If any bus activity (e.g., a BREAK character) should occur during Power-down mode, the device will immediately enable the voltage regulator. Once the output has stabilized, the device will enter Ready mode.

The part will enter the operation mode, if the CS/WAKE pin should become active-high ('1').

1.3.2 READY AND READY1 MODES

There are two states for the Ready mode. The only difference between these states is the transition during start-up. The state Ready1 mode ensures that the transition from Ready to Operation mode (once a rising edge of CS/WAKE) occurs without disrupting bus traffic.

Immediately upon entering either Ready1 or Ready mode, the voltage regulator will turn on and provide power. The transmitter portion of the circuit is off, with all other circuits (including the receiver) of the MCP201 being fully operational. The LIN pin is kept in a recessive state.

If a microcontroller is being driven by the voltage regulator output, it will go through a power-on reset and initialization sequence. All other circuits, other than the transmitter, are fully operational. The LIN pin is held in the recessive state.

The device will stay in Ready mode until the CS/WAKE pin transitions high ('1'). After CS/WAKE is active, the transmitter is enabled and the device enters Operation mode.

The device may only enter Power-down mode after going through the Operation mode step.

At power-on of the VBAT supply pin, the component is in either Ready or Ready1 mode, waiting for a CS/WAKE rising edge.

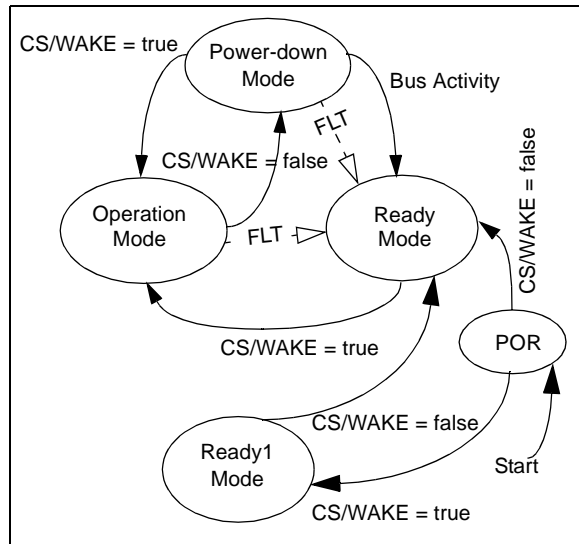
The MCP201 will stay in either mode for 600 μ s as the regulator powers its internal circuitry and waits until the CS/WAKE pin transitions high. During the 600 μ s delay, the MCP201 will not recognize a CS/WAKE event. The CS/WAKE transition from low to high should not occur until after this delay.

1.3.3 OPERATION MODE

In this mode, all internal modules are operational.

The MCP201 will go into Power-down mode on the falling edge of CS/WAKE.

FIGURE 1-1: OPERATIONAL MODES STATE DIAGRAMS



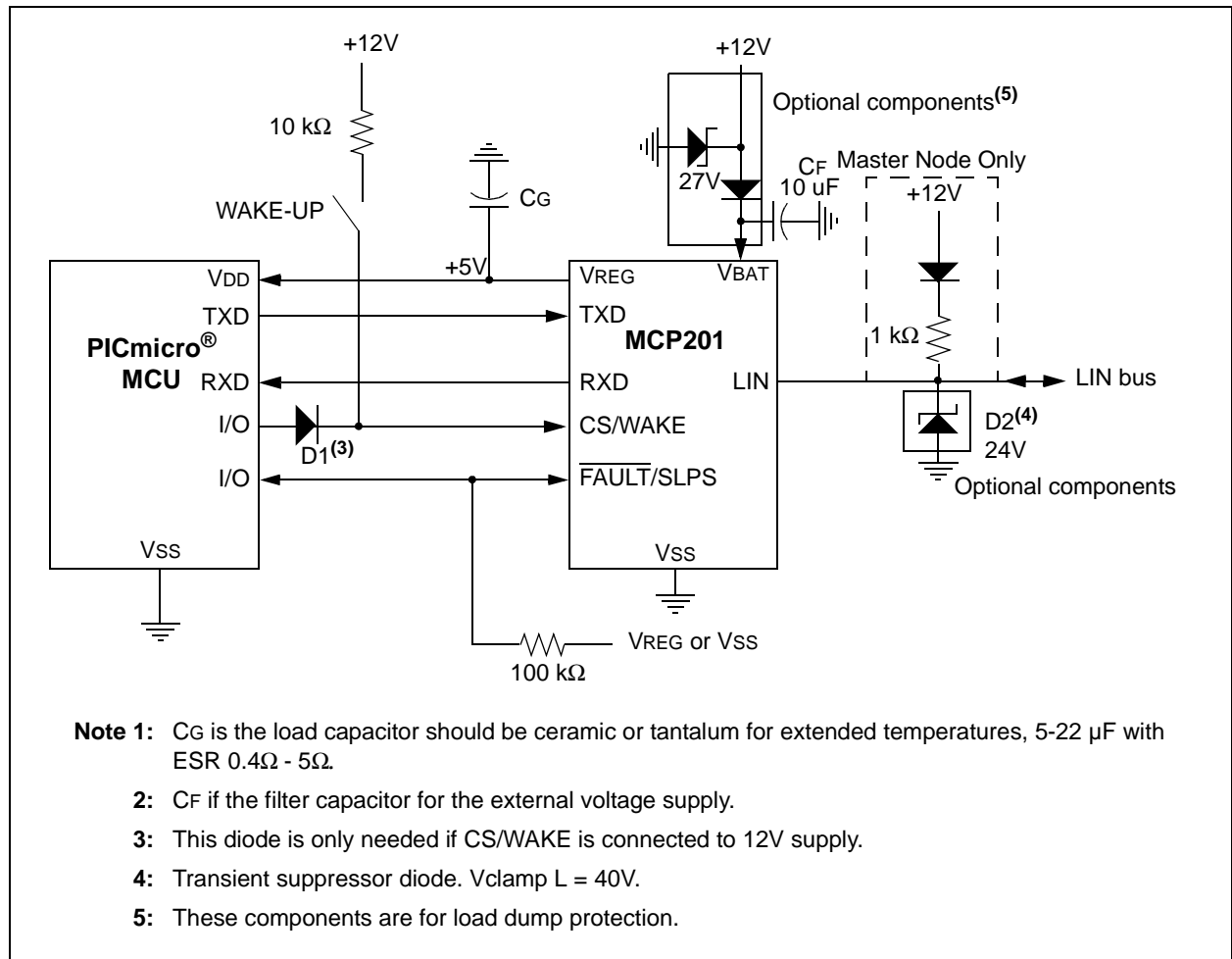
Note: While the MCP201 is in shutdown, TXD should not be actively driven high. If TXD is driven high actively, it may power internal logic.

TABLE 1-2: OVERVIEW OF OPERATIONAL MODES

State	Transmitter	Voltage Regulator	Operation	Comments
POR	OFF	OFF	Read CS/WAKE. If low, then READY. If high, READY1 mode.	Sample FAULT/SLPS and select slope
Ready	OFF	ON	If CS/WAKE rising edge, then Operation mode.	Bus Off state
Ready1	OFF	ON	If CS/WAKE falling edge, then READY mode.	Bus Off state
Operation	ON	ON	If CS/WAKE falling edge, then Power down.	Normal Operation mode
Power-down	OFF	OFF	On LIN bus falling, go to READY mode. On CS/WAKE rising edge, go to Operational mode	Low-Power mode

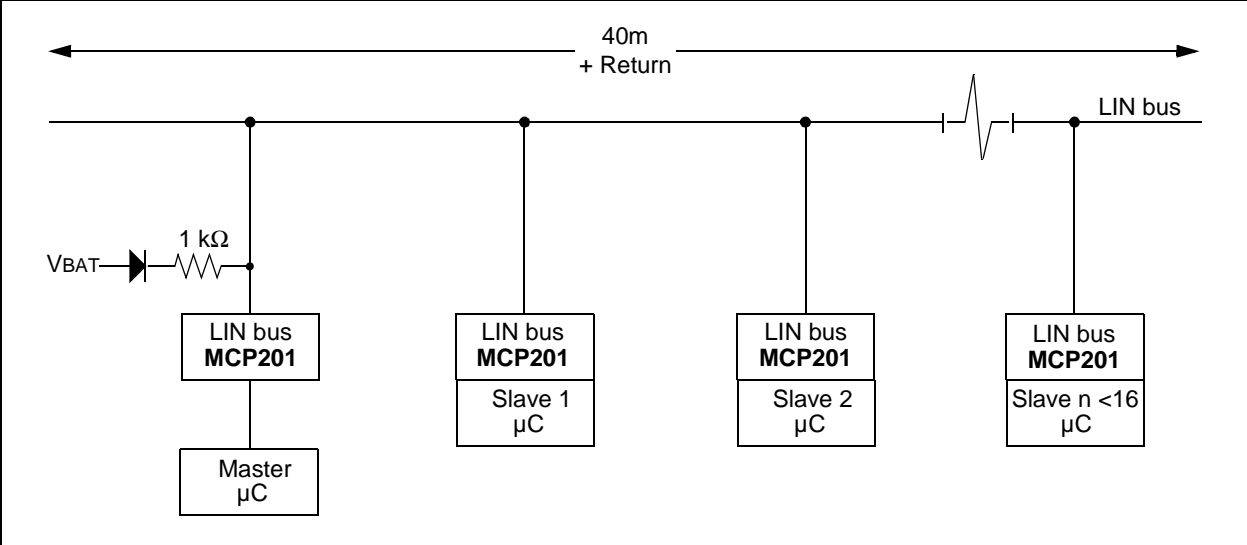
1.4 Typical Applications

FIGURE 1-2: TYPICAL MCP201 APPLICATION



MCP201

FIGURE 1-3: TYPICAL LIN NETWORK CONFIGURATION



1.5 Pin Descriptions

TABLE 1-3: MCP201 PINOUT OVERVIEW

Devices 8-Pin PDIP/ SOIC/DFN	Bond Pad Name	Function
		Normal Operation
1	RXD	Receive Data Output (CMOS output)
2	CS/WAKE	Chip Select (TTL-HV input)
3	VREG	Power Output
4	TXD	Transmit Data Input (TTL)
5	VSS	Ground
6	LIN	LIN bus (bidirectional-HV)
7	VBAT	Battery
8	FAULT/SLPS	Fault Detect Output, Slope Select Input

Legend: TTL = TTL input buffer,
HV = High Voltage (VBAT)

1.5.1 RECEIVE DATA OUTPUT (RXD)

The Receive Data Output pin is a standard CMOS output and follows the state of the LIN pin.

The LIN receiver monitors the state of the LIN pin and generates the output signal RXD.

1.5.2 CS/WAKE

Chip Select Input pin. This pin controls whether the part goes into READY1 or READY mode at power-up. The internal pull-down resistor will keep the CS/WAKE pin low. This is done to ensure that no disruptive data will be present on the bus while the microcontroller is executing a Power-on Reset and I/O initialization sequence. The pin must see a low-to-high transition to activate the transmitter.

After CS/WAKE transitions to '1', the transmitter is enabled. If CS/WAKE = '0', the device is in Ready1 mode on power-up or in Low-Power mode. In Low-Power mode, the voltage regulator is shut down, the transmitter driver is disabled and the receiver logic is enabled.

An external switch (see Figure 1-2) can then wake up both the transceiver and the microcontroller. An external-blocking diode and current-limiting resistor are necessary to protect the microcontroller I/O pin.

Note: On POR, the MCP201 enters Ready or Ready1 mode (see Figure 1-1). In order to enter Operational mode, the MCP201 has to see one rising edge on CS/WAKE 600 μ s after the voltage regulator reaches 5V.

1.5.3 POWER OUTPUT (VREG)

Positive Supply Voltage Regulator Output pin.

1.5.4 TRANSMIT DATA INPUT (TXD)

The Transmit Data Input pin has an internal pull-up to VREG. The LIN pin is low (dominant) when TXD is low, and high (recessive) when TXD is high.

In case the thermal protection detects an over-temperature condition while the signal TXD is low, the transmitter is shutdown. The recovery from the thermal shutdown is equal to adequate cooling time.

1.5.5 GROUND (Vss)

Ground pin.

1.5.6 LIN

The bidirectional LIN bus Interface pin is the driver unit for the LIN pin and is controlled by the signal TXD. LIN has an open collector output with a current limitation. To reduce EMI, the edges during the signal changes are slope-controlled.

1.5.7 BATTERY (VBAT)

Battery Positive Supply Voltage pin. This pin is also the input for the internal voltage regulator.

1.5.8 FAULT/SLPS

FAULT Detect Output, Slope Select Input.

This pin is usually in Output mode. Its state is defined as shown in Table 1-5.

The state of this pin is internally sampled during power-on of VBAT. Once VBAT has reached a stable level, (approximately 6 VDC) and VREG is stable at 4.75-5.25 VDC, the state of this pin selects which slew rate profile to apply to the LIN output. It is only during this time that the pin is used as an input (the output driver is off during this time). The slope will stay selected until the next VBAT power-off/power-on sequence, regardless of any power-down, wake-up or SLEEP events. Only a VBAT rising state will cause a sampling of the FAULT/SLPS pin. The Slope selection will be made irrespective of the state of any other pin.

The FAULT/SLPS pin is connected to either VREG or Vss through a resistor (approximately 100 k Ω) to make the slope selection. This large resistance allows the FAULT indication function to overdrive the resistor in normal operation mode.

If the FAULT/SLPS is high ('1'), the normal slope shaping is selected ($dv/dt = 2 \text{ V}/\mu\text{s}$). If FAULT/SLPS is low ('0') during this time, the alternate slope-shaping is selected ($dv/dt = 4 \text{ V}/\mu\text{s}$). This mode can be used if a user desires to run at a faster slope. This mode is not LIN compliant.

MCP201

TABLE 1-4: FAULT / SLPS SLOPE SELECTION DURING POR

FAULT/SLPS	Slope Shaping
H	Normal
L	Alternate ⁽¹⁾

Note 1: This mode does not conform to LIN bus specification Version 1.3, but might be used for K-line applications.

Note: This pin is '0' whenever the internal circuits have detected a short or thermal excursion and have disabled the LIN output driver.

Note: Every time TX is toggled, a Fault condition will occur for the length of time, depending on the bus load. The Fault time is equal to the propagation delay.

TABLE 1-5: FAULT / SLPS TRUTH TABLE

TXD In	RXD Out	LIN Bus I/O	Thermal Override	FAULT / SLPS Out	Comments
L	H	VBAT	OFF	L	Bus shorted to battery
H	H	VBAT	OFF	H	Bus recessive
L	L	GND	OFF	H	Bus dominant
H	L	GND	OFF	L	Bus shorted to ground
x	x	VBAT	ON	L	Thermal excursion

Legend: x = don't care

1.6 Internal Voltage Regulator

The MCP201 has a low drop-out voltage, positive regulator capable of supplying 5.00 VDC $\pm 5\%$ at up to 50 mA of load current over the entire operating temperature range. With a load current of 50 mA, the minimum input-to-output voltage differential required for the output to remain in regulation is typically +0.5V (+1V maximum over the full operating temperature range). Quiescent current is less than 1.0 mA, with a full 50 mA load current, when the input-to-output voltage differential is greater than +2V.

The regulator requires an external output bypass capacitor for stability. The capacitor should be either ceramic or tantalum for stable operation over the extended temperature range. The compensation capacitor should range from 10 μf – 22 μf and have a ESR or CSR of 0.4 Ω – 5.0 Ω .

Designed for automotive applications, the regulator will protect itself from reverse battery connections, double-battery jumps and up to +40V load dump transients. The voltage regulator has both short-circuit and thermal shutdown protection built-in.

Regarding the correlation between VBAT, VREG and IDD, please refer to Figure 1-4 through 1-6. When the input voltage (VBAT) drops below the differential needed to provide stable regulation, the output VREG will track the input down to approximately 3.5V, at which point the regulator will turn off. This will allow microcontrollers with internal POR circuits to generate a clean arming of the Power-on Reset trip point. The MCP201 will then monitor VBAT and turn on the regulator when VBAT is 6.0V. The device will come up in either READY1 or READY mode and will have to be transitioned to Operational mode to re-enable data transmission.

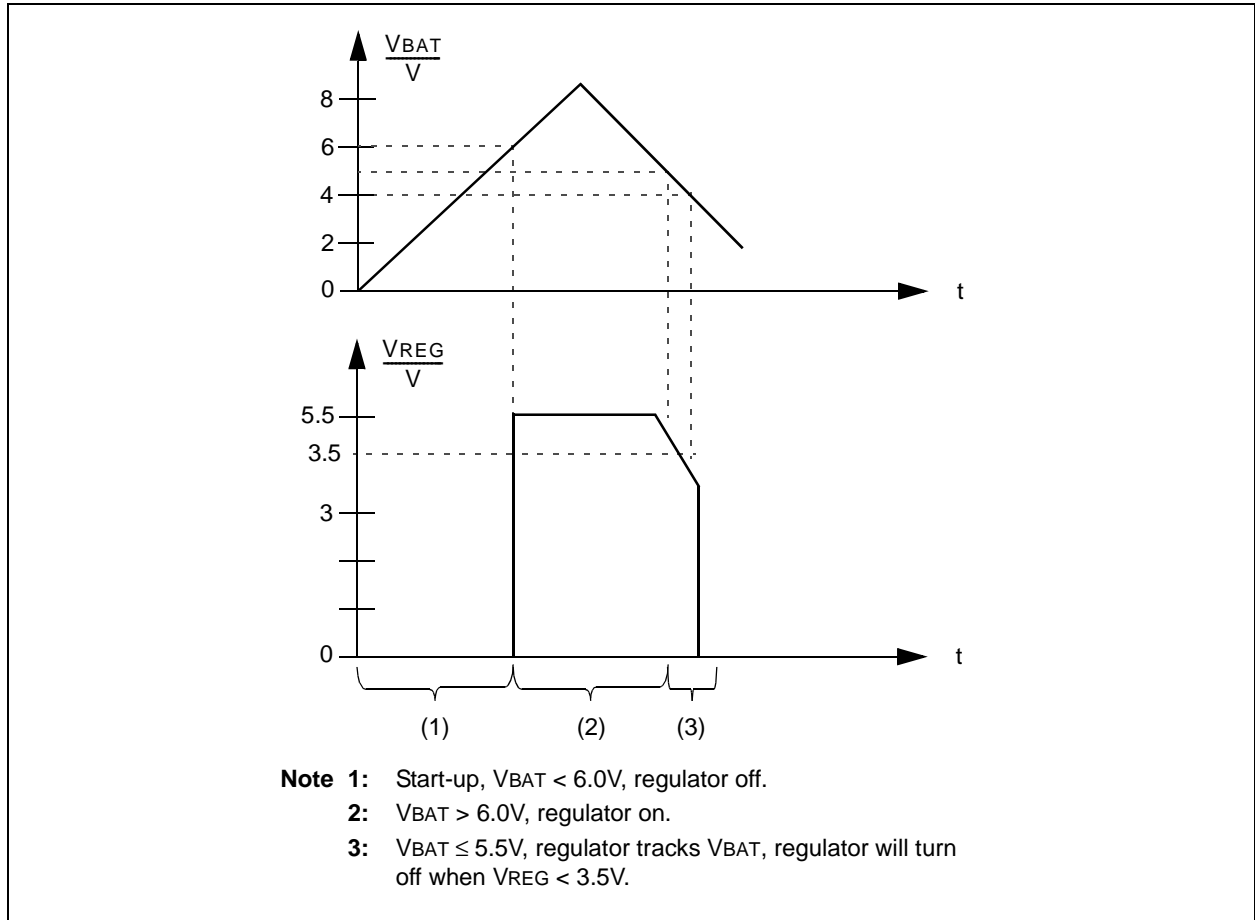
In the start phase, VBAT must be at least 6.0V (Figure 1-4) to initiate operation during power-up. In Power-down mode, the VBAT monitor will be turned off.

The regulator has a thermal shutdown. If the thermal protection circuit detects an overtemperature condition caused by an overcurrent condition (Figure 1-6) of the regulator, it will shut down.

The regulator has an overload current limiting. During a short-circuit, VREG is monitored. If VREG is lower than 3.5V, the regulator will turn off. After a thermal recovery time, the VREG will be checked again. If there is no short-circuit (VREG > 3.5V), the regulator will be switched back on. The MCP201 will come up in either READY1 or READY mode and will have to be transitioned to Operational mode to re-enable data transmission.

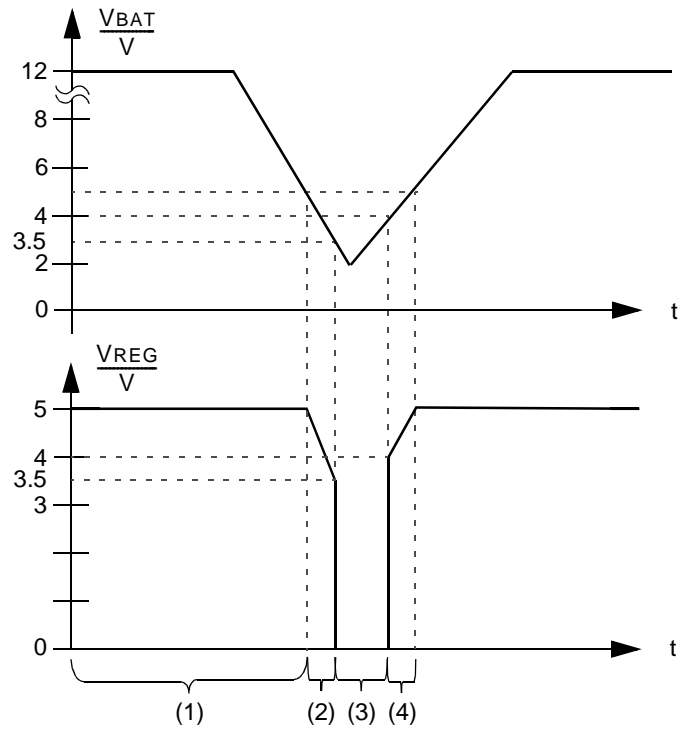
The accuracy of the voltage regulator, when using a pass transistor, will degrade due to the extra external components needed. All performance characteristics should be evaluated on every design.

FIGURE 1-4: VOLTAGE REGULATOR OUTPUT ON POWER-ON RESET



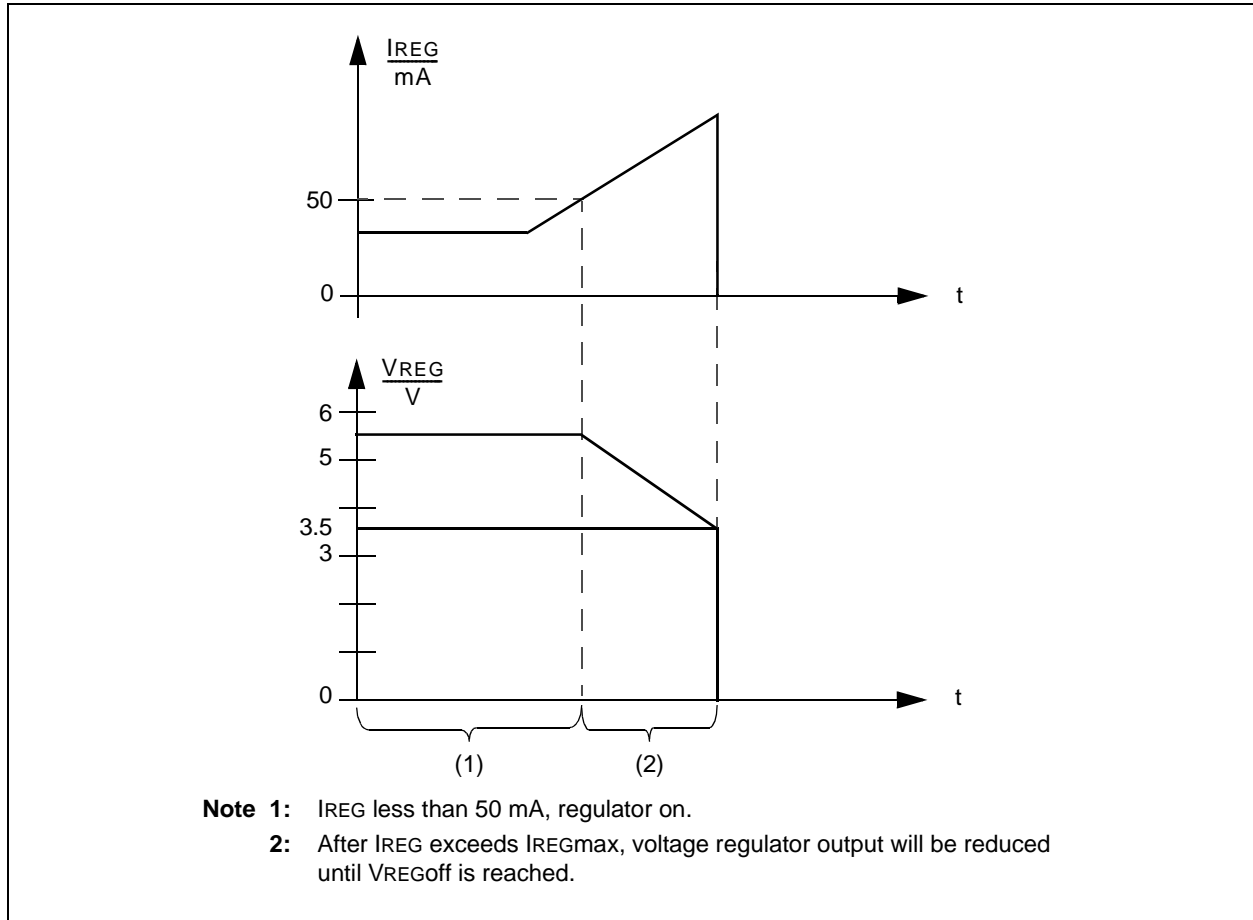
MCP201

FIGURE 1-5: VOLTAGE REGULATOR OUTPUT ON POWER DIP



- Note 1:** Voltage regulator on.
Note 2: $V_{REG} \leq 5.5V$, regulator tracks V_{BAT} until $V_{REG} < 3.5V$.
Note 3: $V_{REG} < 3.5V$, regulator is off.
Note 4: $V_{REG} > 4.0V$, voltage regulator tracks V_{DD} , when $V_{REG} > 4.0V$.

FIGURE 1-6: VOLTAGE REGULATOR OUTPUT ON OVERCURRENT SITUATION



1.7 ICSP™ Considerations

The following should be considered when the MCP201 is connected to pins supporting in-circuit programming:

- Power used for programming the microcontroller should be supplied from the programmer, not from the MCP201
- The MCP201 should be left unpowered
- The voltage on V_{REG} should not exceed the maximum output voltage of V_{REG}
- The TXD pin should not be brought high during programming

MCP201

NOTES:

2.0 ELECTRICAL CHARACTERISTICS

2.1 Absolute Maximum Ratings†

V _{IN} DC Voltage on Logic pins except CS/WAKE	-0.3 to V _{REG} +0.3V
V _{IN} DC Voltage on CS/WAKE	-0.3 to V _{BAT} +0.3V
V _{BAT} Battery Voltage, non-operating (LIN bus recessive, no regulator load, t < 60s).....	-0.3 to +40V
V _{BAT} Battery Voltage, transient (Note 1).....	-0.3 to +40V
V _{BAT} Battery Voltage, continuous	-0.3 to +30V
V _{LBUS} Bus Voltage, continuous.....	-18 to +30V
V _{LBUS} Bus Voltage, transient (Note 1).....	-27 to +40V
I _{LBUS} Bus Short Circuit Current Limit	200 mA
ESD protection on LIN, V _{BAT} (Human Body Model) (Note 2)	>4 kV
ESD protection on all other pins (Human Body Model) (Note 2)	>2 kV
Maximum Junction Temperature	150°C
Storage Temperature	-55 to +150°C

Note 1: ISO 7637/1 load dump compliant (t < 500 ms).

2: According to JESD22-A114-B.

† **NOTICE:** Stresses above those listed under “Maximum Ratings” may cause permanent damage to the device. This is a stress rating only and functional operation of the device at those or any other conditions above those indicated in the operational listings of this specification is not implied. Exposure to maximum rating conditions for extended periods may affect device reliability.

MCP201

2.2 DC Specifications

DC Specifications		Electrical Characteristics: Unless otherwise indicated, all limits are specified for: VBAT = 6.0V to 18.0V TAMB = -40°C to +125°C CLOADREG = 10 µF				
Sym.	Parameter	Min.	Typ.	Max.	Units	Conditions
Power						
IBATQ	VBAT Quiescent Operating Current (voltage regulator without load and transceiver)	—	0.45	1.0	mA	IVREG = 0 mA, LIN bus pin recessive, (Note 3)
IBAT	VBAT Power-down Current transceiver only	—	23	50	µA	CS/WAKE = High, voltage regulator disabled
IDDQ	VREG Quiescent Operating Current	—	500	—	µA	(Note 2)
IVREG	VREG maximum output current	—	—	50	mA	(Note 4)
Microcontroller Interface						
VIH	High-level Input Voltage (TXD, FAULT/SLPS)	2.0	—	VREG + 0.3	V	
VIL	Low-level Input Voltage (TXD, FAULT/SLPS)	-0.3	—	0.15 x VREG	V	
IHTXD	High-level Output Current (TXD)	-90	—	+30	µA	Input voltage = 4V
IILTXD	Low-level Output Current (TXD)	-150	—	-10	µA	Input voltage = 1V (though > 50 kΩ internal pull-up)
VIHCS/WAKE	High-level Input Voltage (CS/WAKE)	3.0	—	VBAT	V	Through an external current-limiting resistor (10 kΩ)
VILCS/WAKE	Low-level Input Voltage (CS/WAKE)	-0.3	—	1.0	V	
IIHCS/WAKE	High-level Input Current (CS/WAKE)	-10	—	+80	µA	Input voltage = 4V (though >100 kΩ internal pull-down)
IILCS/WAKE	Low-level Input Current (CS/WAKE)	5	—	30	µA	Input voltage = 1V
VOHRXD	High-level Output Voltage (RXD)	0.8 VREG	—	—		I _{OH} = -4 mA
VOLRXD	Low-level Output Voltage (RXD)	—	—	0.2 VREG		I _{OL} = 4 mA
Bus Interface						
VIHLBUS	High-level Input Voltage (LBUS)	0.6 VBAT	—	18	V	Recessive state
VILLBUS	Low-level Input Voltage (LBUS)	-8	—	0.4 VBAT	V	Dominant state
VHYS	Input Hysteresis	0.05 VBAT	—	0.1 VBAT	V	VIH - VIL

Note 1: Internal current limited. 2.0 ms maximum recovery time (RLBUS = 0Ω, TX = 0.4 VREG, VLBUS = VBAT).

2: For design guidance only, not tested.

3: This current is at the VBAT pin.

4: The maximum power dissipation is a function of TJMAX, ΘJA and ambient temperature TA. The maximum allowable power dissipation at an ambient temperature is PD = (TJMAX - TA)ΘJA. If this dissipation is exceeded, the die temperature will rise above 150°C and the MCP201 will go into thermal shutdown.

2.2 DC Specifications (Continued)

DC Specifications		Electrical Characteristics:				
		Unless otherwise indicated, all limits are specified for: VBAT = 6.0V to 18.0V TAMB = -40°C to +125°C CLOADREG = 10 µF				
Sym.	Parameter	Min.	Typ.	Max.	Units	Conditions
IOL	Low-level Output Current (LBUS)	40	—	200	mA	Output voltage = 0.1 VBAT, VBAT = 12V
IO	High-level Output Current (LBUS)	-20	—	20	µA	VBUS ≥ VBAT, VLBUS < 40V
IP	Pull-up Current on Input (LBUS)	-180	—	-60	µA	Approx. 30 kΩ internal pull-up @ VIH = 0.7 VBAT
ISC	Short-circuit Current-Limit	50	—	200	mA	(Note 1)
VOH	High-level Output Voltage (LBUS)	0.8 VBAT	—	—	V	
VOL	Low-level Output Voltage (LBUS)	—	—	0.2 VBAT	V	

- Note 1:** Internal current limited. 2.0 ms maximum recovery time (RLBUS = 0Ω, TX = 0.4 VREG, VLBUS = VBAT).
- 2:** For design guidance only, not tested.
- 3:** This current is at the VBAT pin.
- 4:** The maximum power dissipation is a function of TJMAX, ΘJA and ambient temperature TA. The maximum allowable power dissipation at an ambient temperature is PD = (TJMAX - TA)ΘJA. If this dissipation is exceeded, the die temperature will rise above 150°C and the MCP201 will go into thermal shutdown.

MCP201

2.2 DC Specifications (Continued)

DC Specifications		Electrical Characteristics: Unless otherwise indicated, all limits are specified for: VBAT = 6.0V to 18.0V TAMB = -40°C to +125°C CLOADREG = 10 μ F				
Sym.	Parameter	Min.	Typ.	Max.	Units	Conditions
Voltage Regulator						
VREG	Output Voltage	4.75	—	5.25	V	0 mA > IOUT > 50 mA, 7.0V < VBAT < 18V
VREG1	Output Voltage	4.4	—	5.25	V	0 mA > IOUT > 50 mA, 6.0V < VBAT < 7.0V
Δ VREG1	Line Regulation	—	10	50	mV	IOUT = 1 mA, 7.0V < VBAT < 18V
Δ VREG2	Load Regulation	—	10	50	mV	5 mA < IOUT < 50 mA, VBAT = Constant
VN	Output Noise Voltage	—	—	400	μ VRMS	1 VRMS @ 10 Hz - 100 kHz
VSD	Shutdown Voltage (monitoring VREG)	3.5	—	4.0	V	See Figure 1-4
VON	Input Voltage to Turn On Output (monitoring VBAT)	5.5	—	6.0	V	

- Note 1:** Internal current limited. 2.0 ms maximum recovery time (RLBUS = 0 Ω , TX = 0.4 VREG, VLBUS = VBAT).
- 2:** For design guidance only, not tested.
- 3:** This current is at the VBAT pin.
- 4:** The maximum power dissipation is a function of TJMAX, Θ JA and ambient temperature TA. The maximum allowable power dissipation at an ambient temperature is PD = (TJMAX - TA) Θ JA. If this dissipation is exceeded, the die temperature will rise above 150°C and the MCP201 will go into thermal shutdown.

2.3 AC Specifications

AC Specifications		Electrical Characteristics:				
		Unless otherwise indicated, all limits are specified for: VBAT = 6.0V to 18.0V TAMB = -40°C to +125°C				
Symbol	Parameter	Min	Typical	Max	Units	Conditions
Bus Interface						
dV/dt	Slope Rising and Falling Edges	1.0	2.0	3.0	V/μs	(40% to 60%), No Load
dV/dt	Slope Rising and Falling edges ALTERNATE	2.0	4.0	6.0	V/μs	(Note 1), No Load
t _{TRANSPD}	Propagation Delay of Transmitter	—	—	6.0	μs	t _{RECPD} = max
t _{RECPD}	Propagation Delay of Receiver	—	—	6.0	μs	(t _{RECPDR} or t _{RECPDF})
t _{RECSYM}	Symmetry of Propagation Delay of Receiver Rising Edge with Respect to Falling Edge	-2.0	—	2.0	μs	t _{RECSYM} = max
t _{TRANSSYM}	Symmetry of Propagation Delay of Transmitter Rising Edge with Respect to Falling Edge	-2.0	—	2.0	μs	t _{TRANSSYM} = max (t _{TRANSPDF} - t _{RANSPDR})
Voltage Regulator						
t _{BACTVE}	Bus Activity to Voltage Regulator Enabled	10	—	40	μs	Bus debounce time
t _{VEVR}	Voltage Regulator Enabled to Ready	—	50	200	μs	(Note 2)
t _{VREGPOR}	Voltage Regulator Enabled to Ready after POR	—	—	2.5	ms	(Note 2) C _{LOAD} = 25 nF
t _{CSOR}	Chip Select to Operation Ready	0	50	200	μs	(Note 2)
t _{CSPD}	Chip Select to Power-down	0	—	40	μs	(Note 2) No C _{LOAD}
t _{SHUTDOWN}	Short-Circuit to Shutdown	—	450	—	μs	Characterized but not tested
t _{SCREC}	Short-Circuit Recovery Time	—	3.0	—	ms	Characterized but not tested

Note 1: The mode does not conform to LIN Bus specification version 1.3.

2: Time depends on external capacitance and load.

TABLE 2-1: MCP201 THERMAL SPECIFICATIONS

Sym	Parameter	Min	Typical	Max	Units	Test Conditions
θ _{RECOVERY}	Recovery Temperature (junction temperature)	—	+135	—	°C	Characterized but not tested
θ _{SHUTDOWN}	Shutdown Temperature (junction temperature)	—	+155	—	°C	Characterized but not tested
t _{THERM}	Thermal Recovery Time (after Fault condition removed)	—	5.0	—	ms	Characterized but not tested

MCP201

2.4 Timing Diagrams and Specifications

FIGURE 2-1: BUS TIMING DIAGRAM

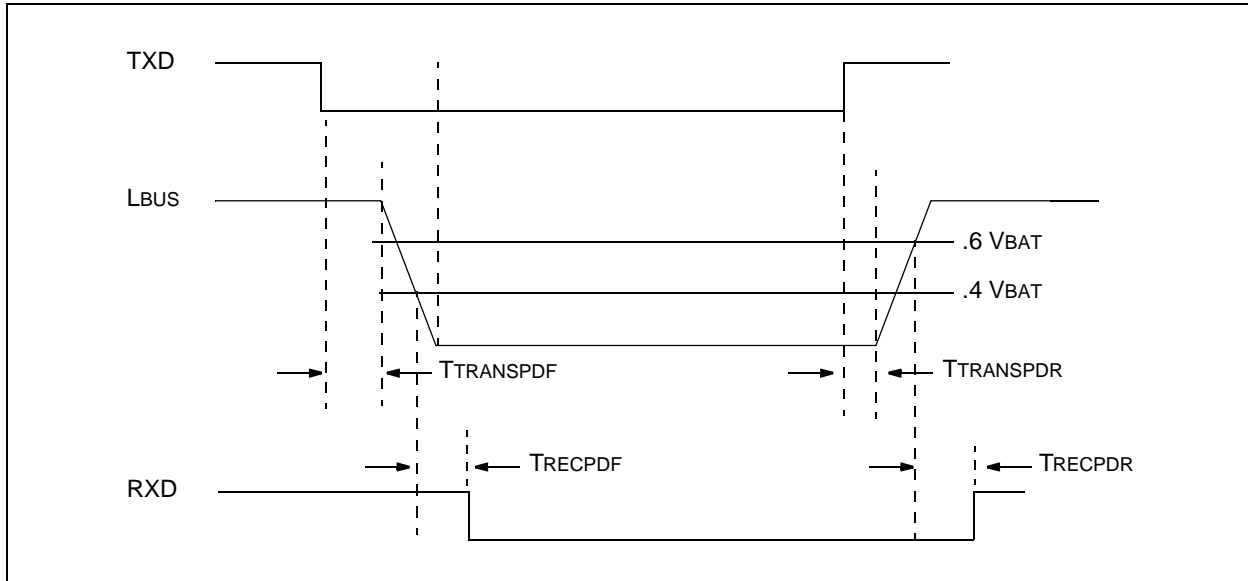


FIGURE 2-2: REGULATOR TIMING DIAGRAM ON CS/WAKE SIGNAL

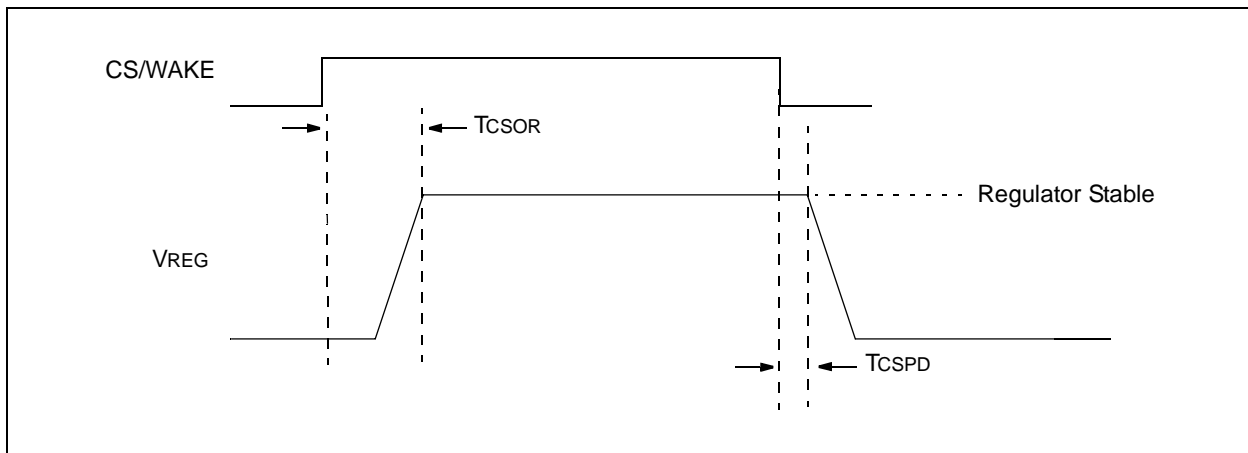


FIGURE 2-3: REGULATOR TIMING DIAGRAM ON BUS ACTIVITY

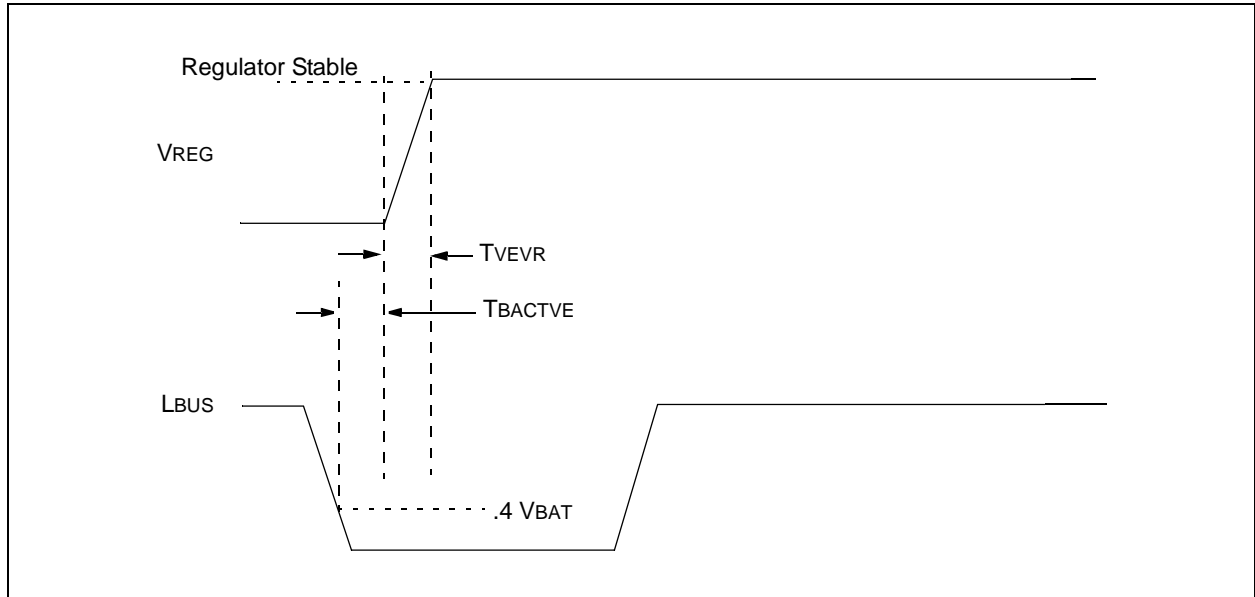
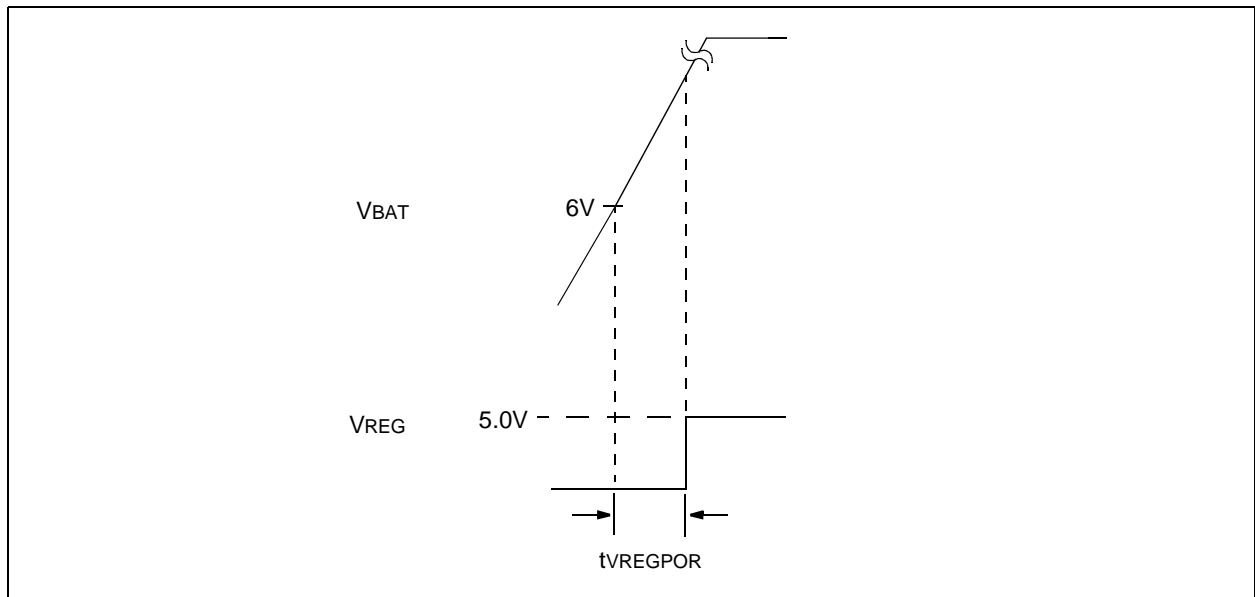


FIGURE 2-4: POR DIAGRAM



MCP201

3.0 CHARACTERIZATION GRAPHS

FIGURE 3-1: IDD(mA) vs. VBAT

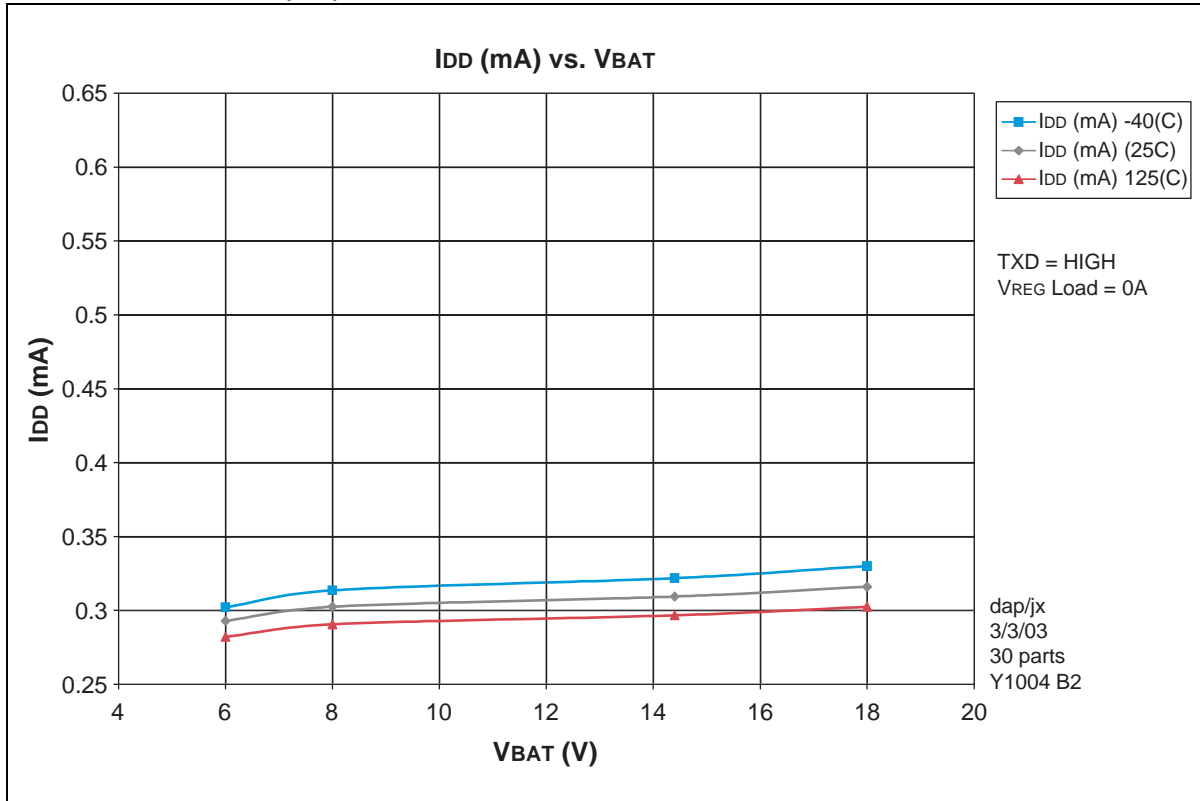
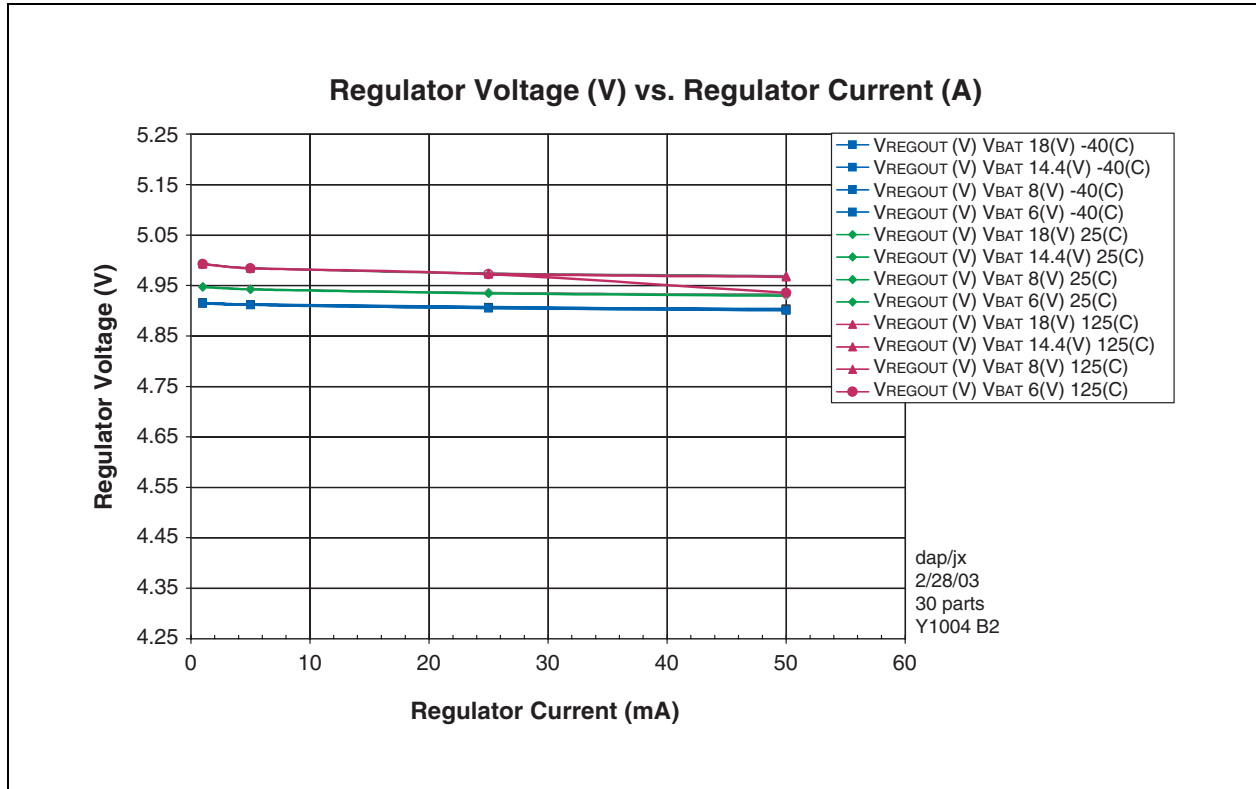


FIGURE 3-2: REGULATOR VOLTAGE (V) VS. REGULATOR CURRENT



MCP201

FIGURE 3-3: REGULATOR CHANGE (V) VS. LINE VOLTAGE CHANGE

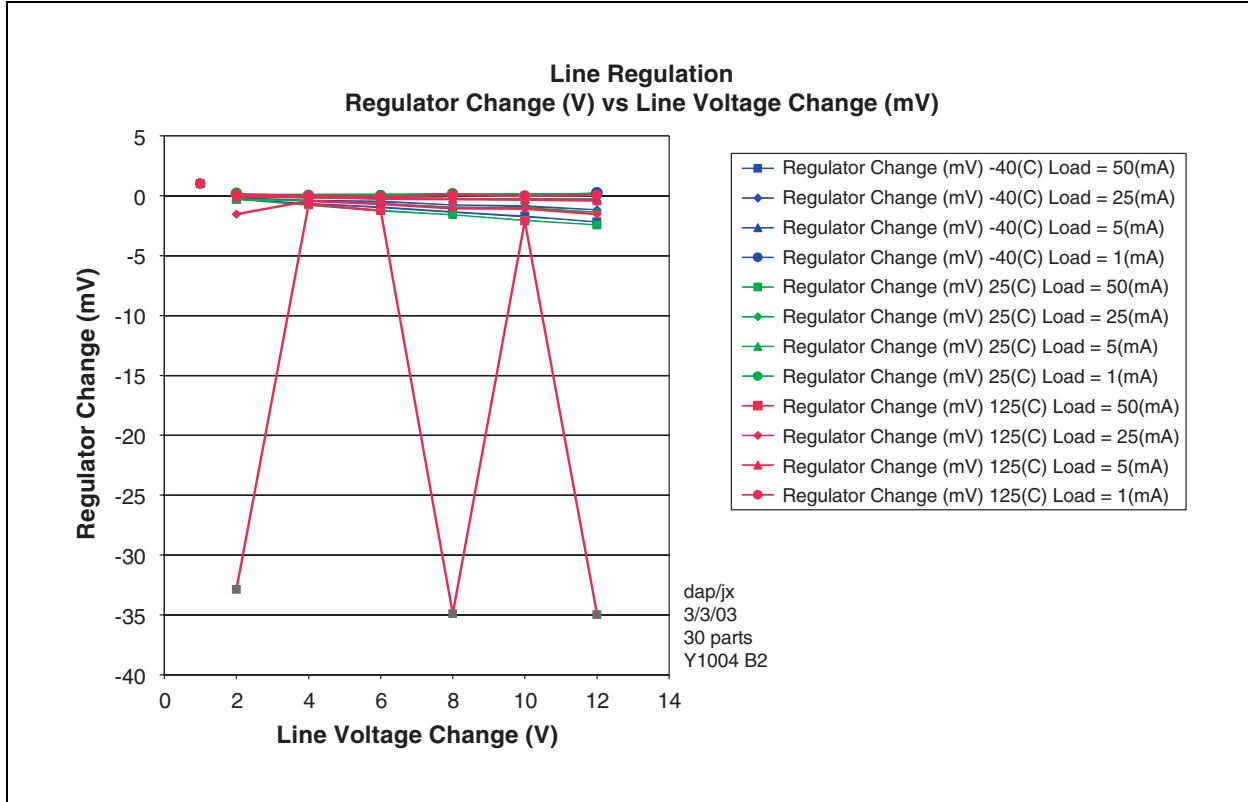


FIGURE 3-4: LOAD REGULATION REGULATOR CHANGE VS. REGULATOR LOAD CHANGE

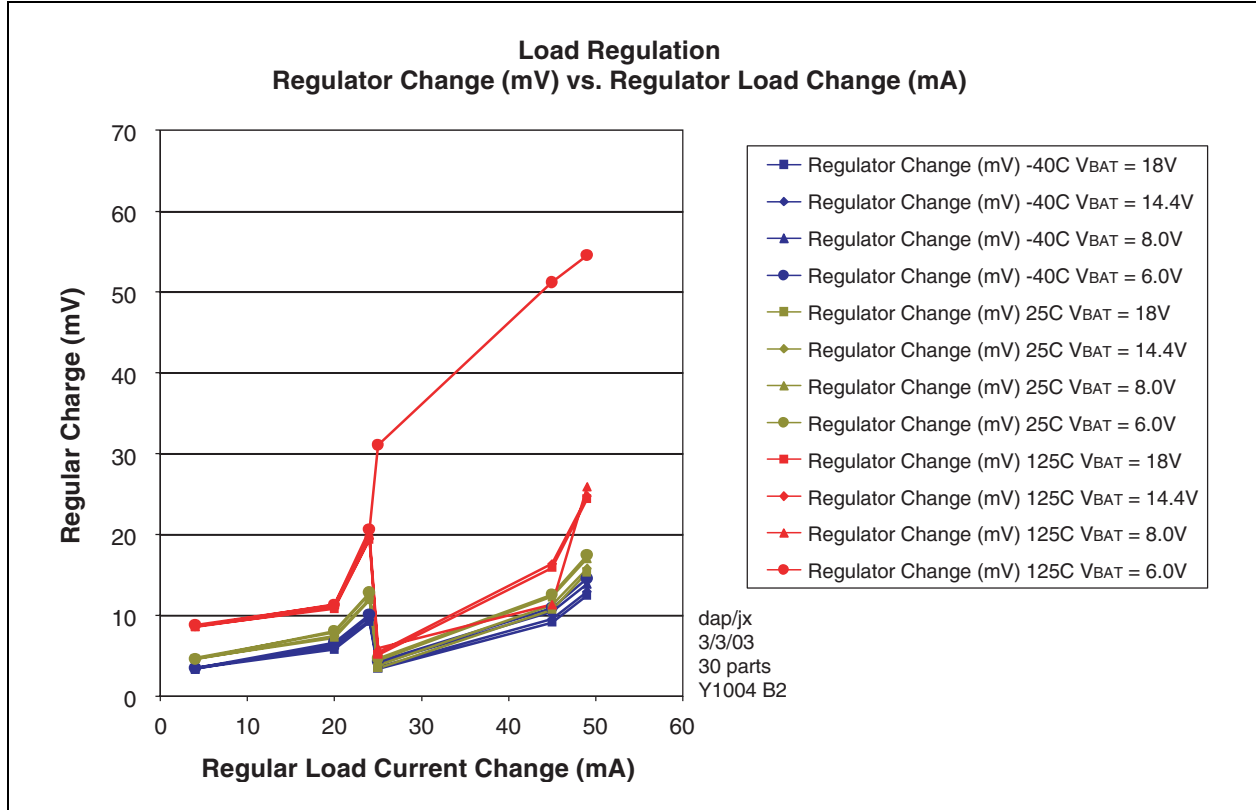


FIGURE 3-5: FALLING EDGE NORMAL DV/DT VS. VBAT

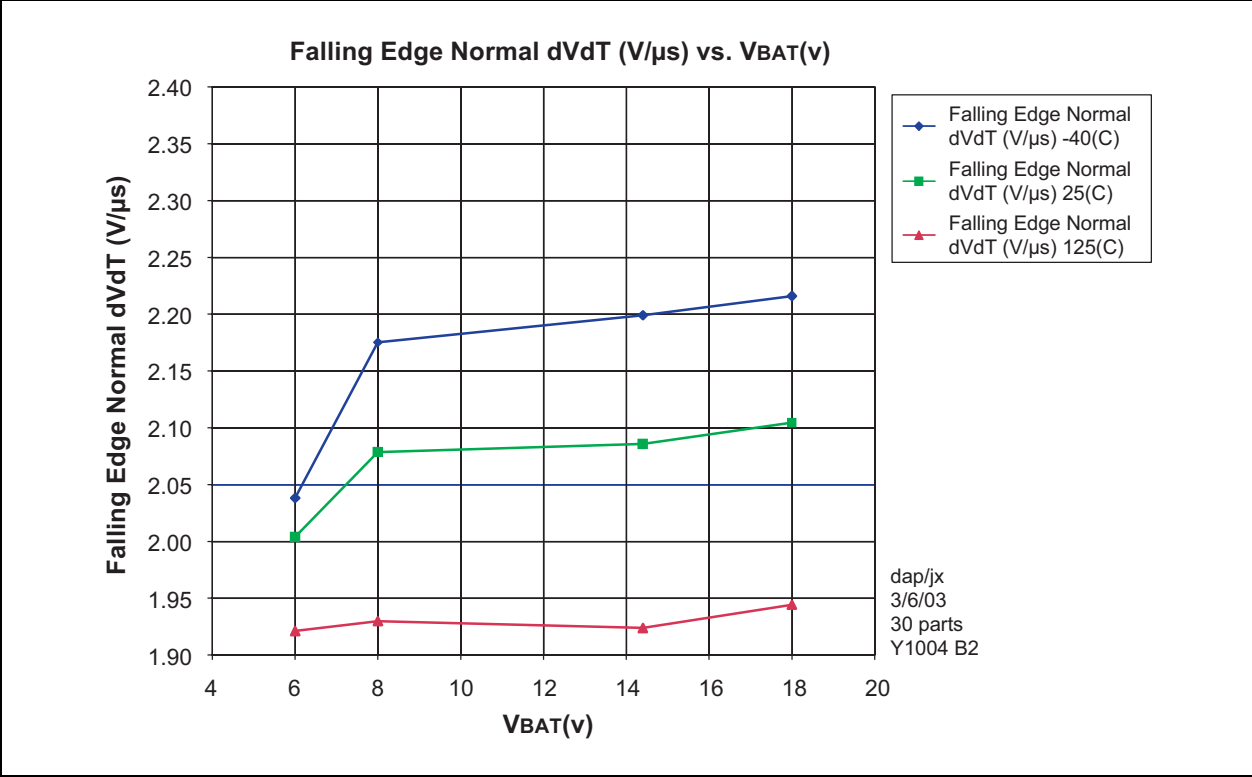
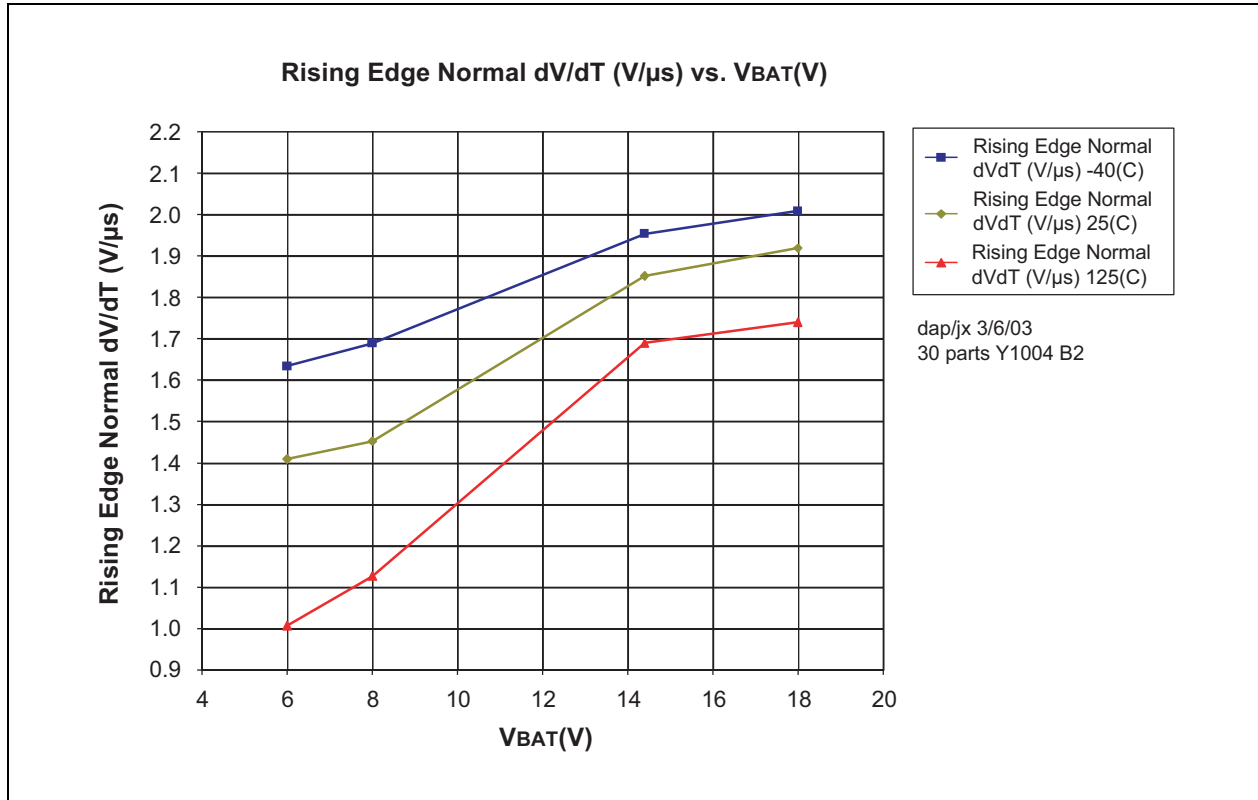


FIGURE 3-6: RISING EDGE NORMAL DV/DT VS. VBAT



MCP201

FIGURE 3-7: BUS ACTIVE VS. VBAT

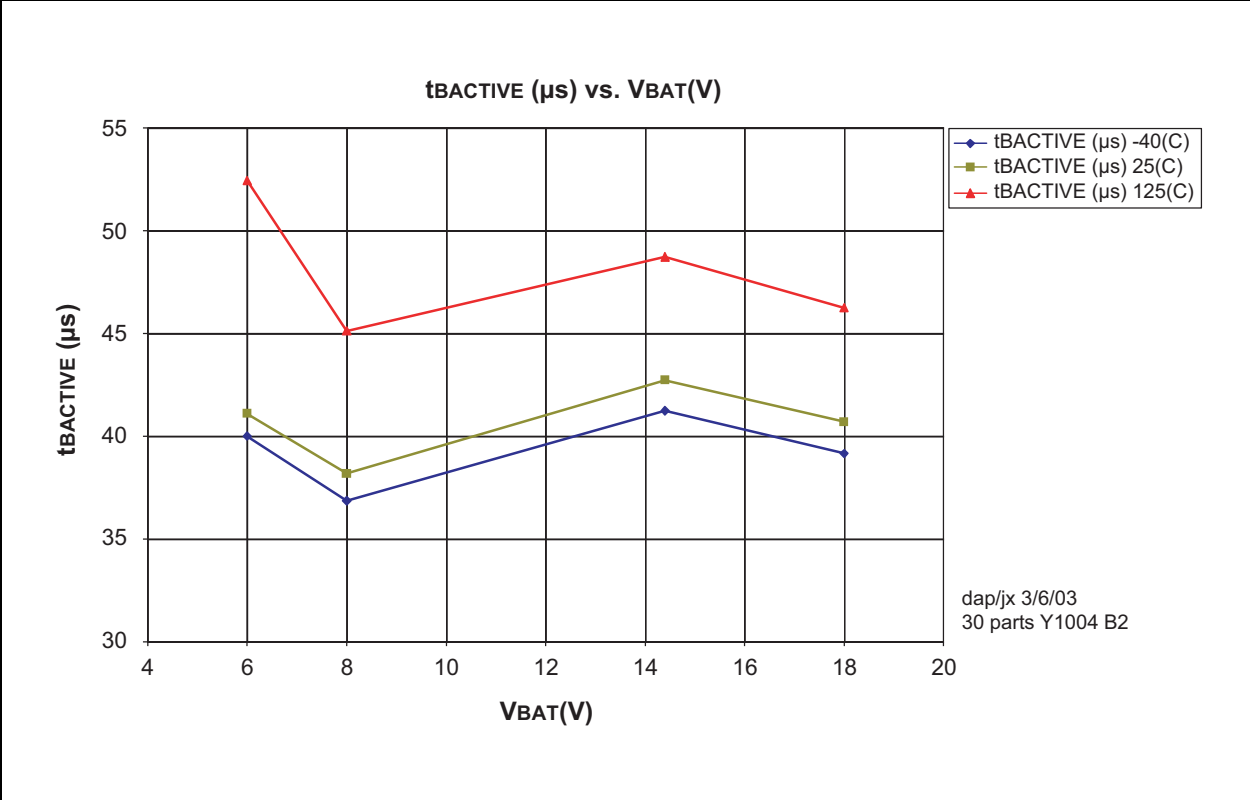
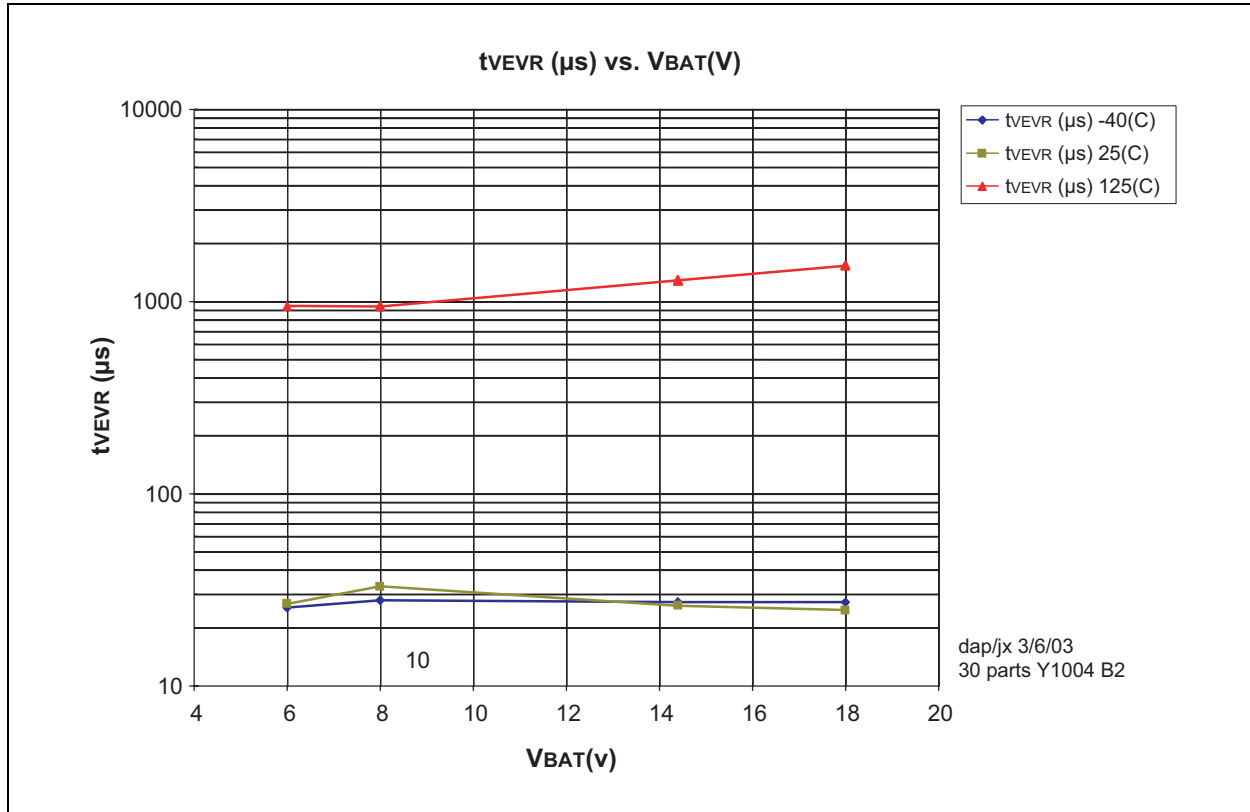


FIGURE 3-8: VOLTAGE REGULATOR ACTIVE TIME VS. VBAT



MCP201

FIGURE 3-9: CHIP SELECT TO OPERATION READY

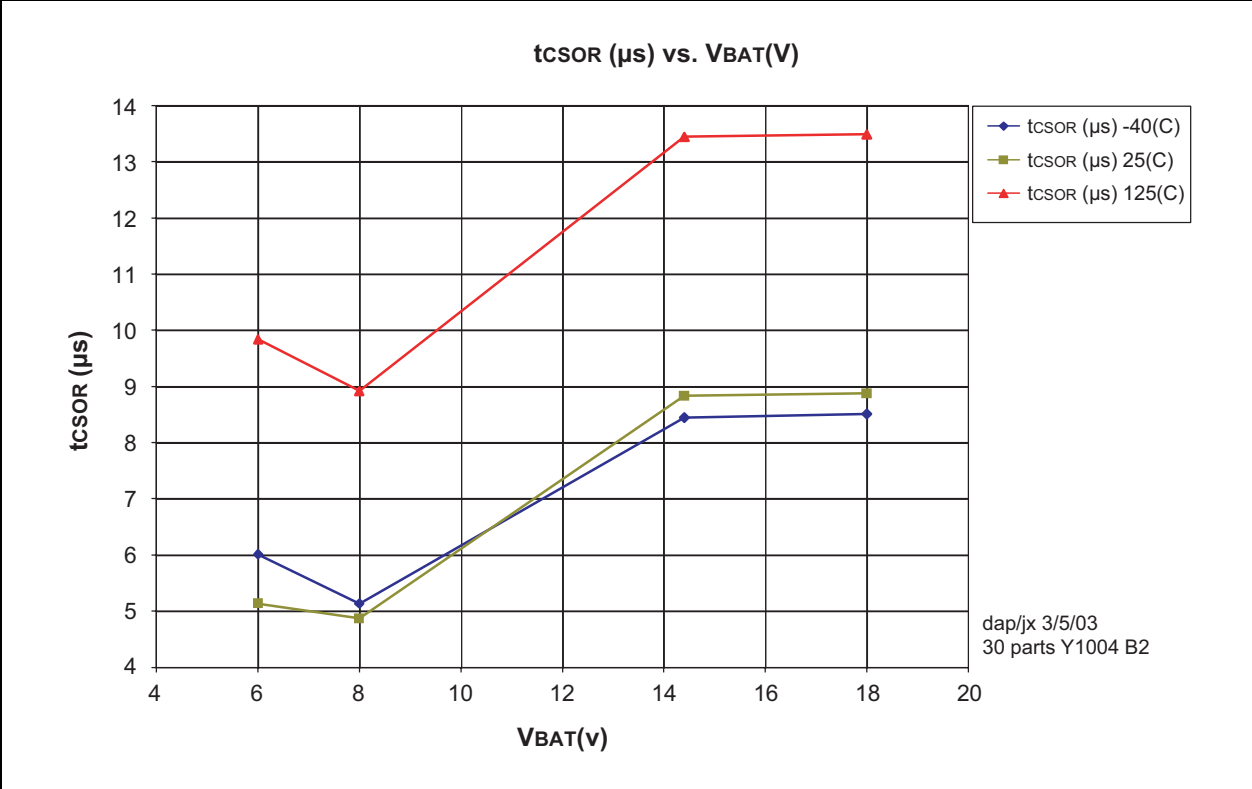
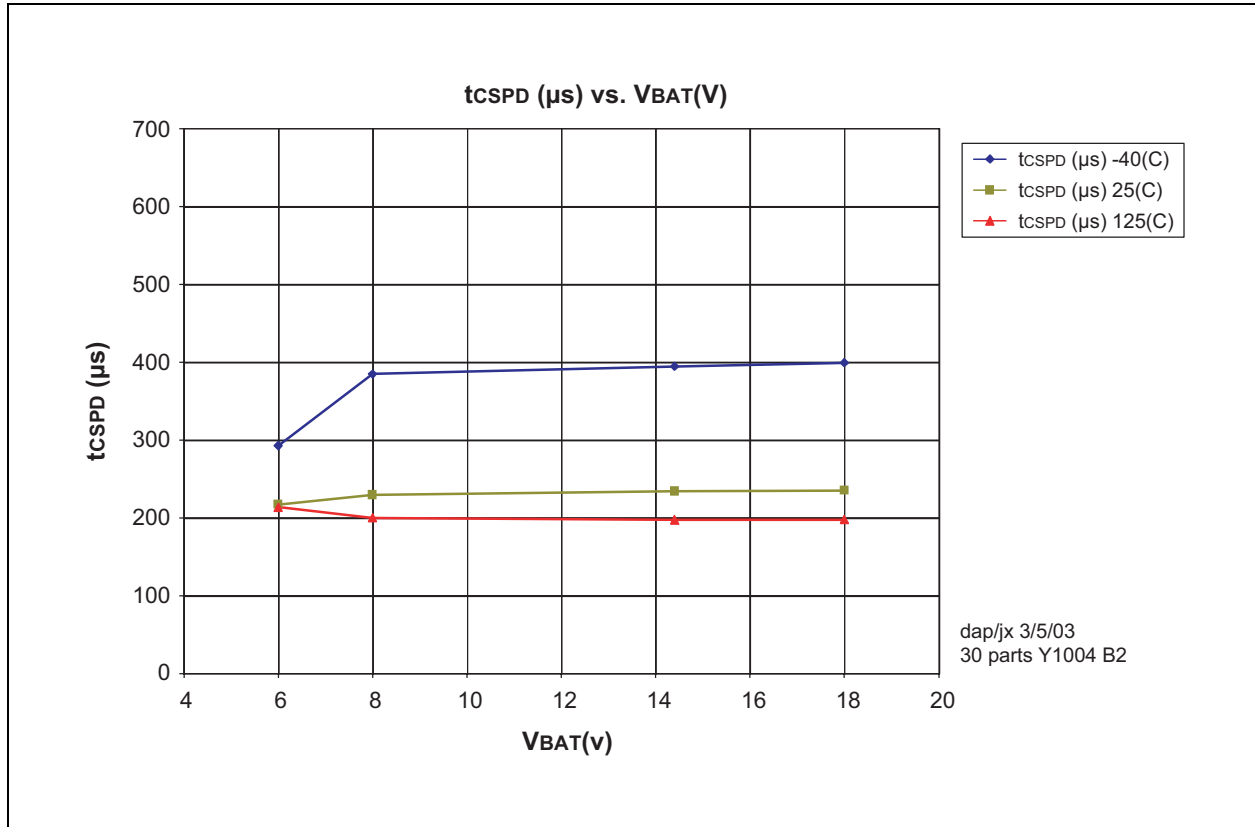


FIGURE 3-10: CHIP SELECT TO POWER DOWN



MCP201

FIGURE 3-11: PROPAGATION DELAY OF TRANSMITTER

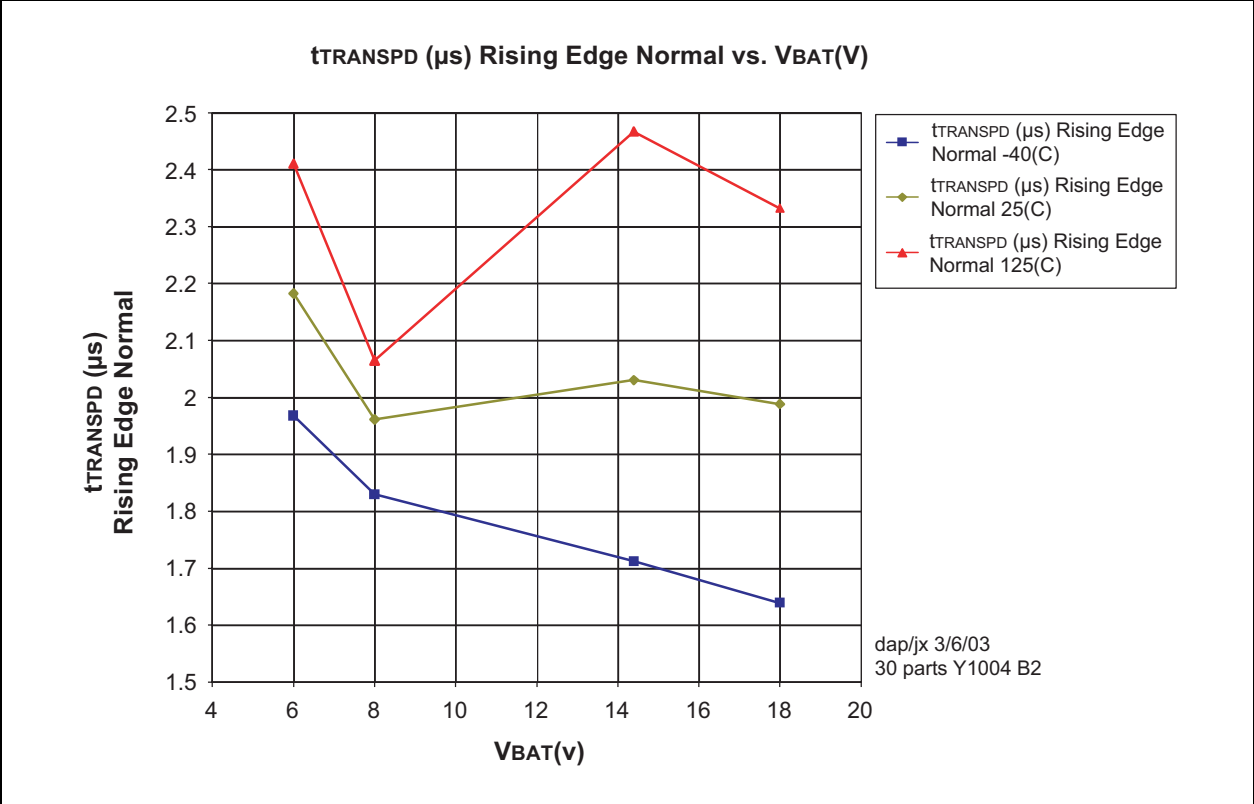
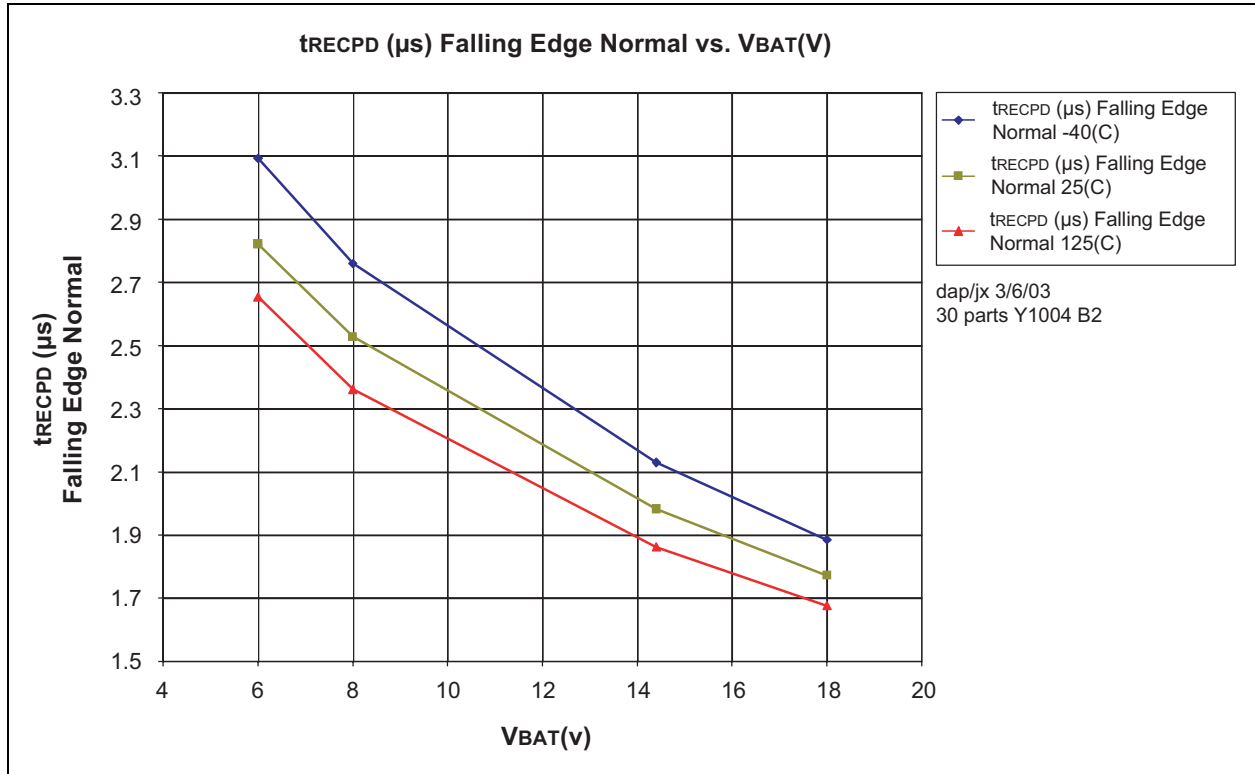


FIGURE 3-12: PROPAGATION DELAY OF RECEIVER



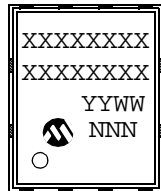
MCP201

NOTES:

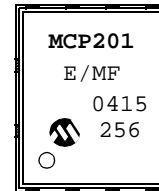
4.0 PACKAGING INFORMATION

4.1 Package Marking Information

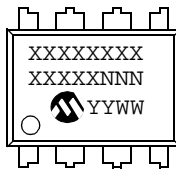
8-Lead DFN-S



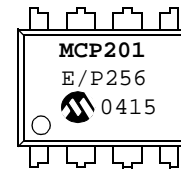
Example:



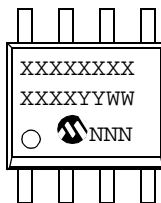
8-Lead PDIP (300 mil)



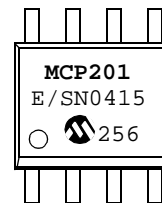
Example:



8-Lead SOIC (150 mil)



Example:

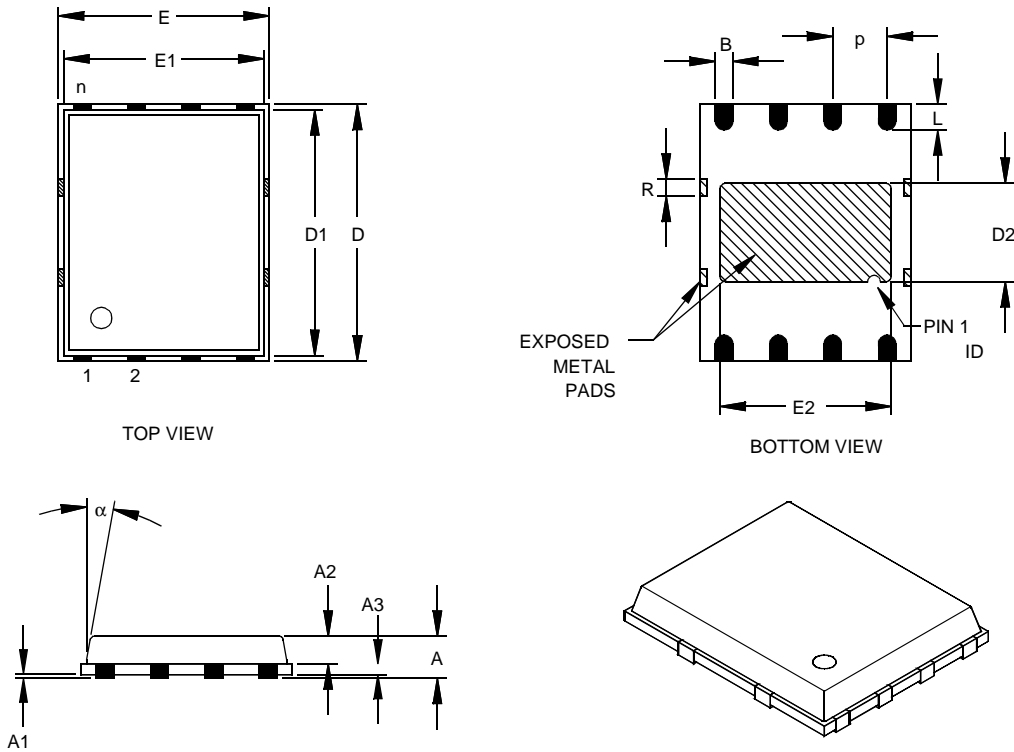


Legend:	XX...X	Customer specific information*
	YY	Year code (last 2 digits of calendar year)
	WW	Week code (week of January 1 is week '01')
	NNN	Alphanumeric traceability code
Note:	In the event the full Microchip part number cannot be marked on one line, it will be carried over to the next line thus limiting the number of available characters for customer specific information.	

* Standard device marking consists of Microchip part number, year code, week code, and traceability code (facility code, mask rev#, and assembly code). For device marking beyond this, certain price adders apply. Please check with your Microchip Sales Office.

MCP201

8-Lead Plastic Dual Flat No Lead Package (MF) 6x5 mm Body (DFN-S)



Dimension Limits	Units	INCHES			MILLIMETERS*		
		MIN	NOM	MAX	MIN	NOM	MAX
Number of Pins	n		8			8	
Pitch	p	.050 BSC			1.27 BSC		
Overall Height	A		.033	.039		0.85	1.00
Molded Package Thickness	A2		.026	.031		0.65	0.80
Standoff	A1	.000	.0004	.002	0.00	0.01	0.05
Base Thickness	A3	.008 REF.			0.20 REF.		
Overall Length	E	.194 BSC			4.92 BSC		
Molded Package Length	E1	.184 BSC			4.67 BSC		
Exposed Pad Length	E2	.152	.158	.163	3.85	4.00	4.15
Overall Width	D	.236 BSC			5.99 BSC		
Molded Package Width	D1	.226 BSC			5.74 BSC		
Exposed Pad Width	D2	.085	.091	.097	2.16	2.31	2.46
Lead Width	B	.014	.016	.019	0.35	0.40	0.47
Lead Length	L	.020	.024	.030	0.50	0.60	0.75
Tie Bar Width	R		.014			.356	
Mold Draft Angle Top	α			12°			12°

*Controlling Parameter

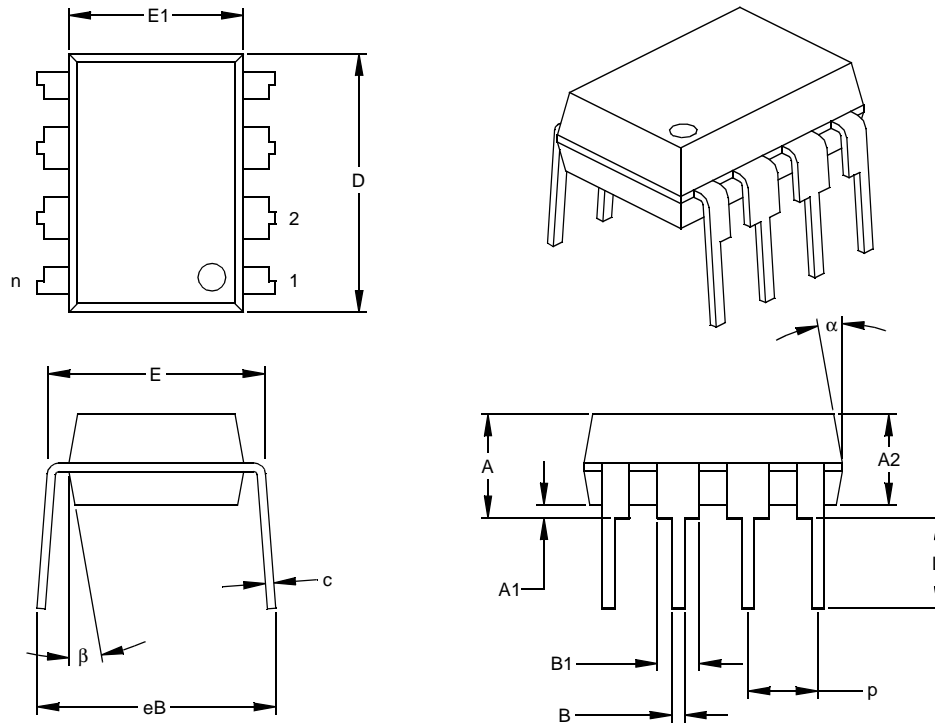
Notes:

Dimensions D and E1 do not include mold flash or protrusions. Mold flash or protrusions shall not exceed .010" (0.254mm) per side.

JEDEC equivalent: pending

Drawing No. C04-113

8-Lead Plastic Dual In-line (P) – 300 mil (PDIP)



Dimension Limits	Units	INCHES*			MILLIMETERS		
		MIN	NOM	MAX	MIN	NOM	MAX
Number of Pins	n		8			8	
Pitch	p		.100			2.54	
Top to Seating Plane	A	.140	.155	.170	3.56	3.94	4.32
Molded Package Thickness	A2	.115	.130	.145	2.92	3.30	3.68
Base to Seating Plane	A1	.015			0.38		
Shoulder to Shoulder Width	E	.300	.313	.325	7.62	7.94	8.26
Molded Package Width	E1	.240	.250	.260	6.10	6.35	6.60
Overall Length	D	.360	.373	.385	9.14	9.46	9.78
Tip to Seating Plane	L	.125	.130	.135	3.18	3.30	3.43
Lead Thickness	c	.008	.012	.015	0.20	0.29	0.38
Upper Lead Width	B1	.045	.058	.070	1.14	1.46	1.78
Lower Lead Width	B	.014	.018	.022	0.36	0.46	0.56
Overall Row Spacing	§ eB	.310	.370	.430	7.87	9.40	10.92
Mold Draft Angle Top	α	5	10	15	5	10	15
Mold Draft Angle Bottom	β	5	10	15	5	10	15

* Controlling Parameter

§ Significant Characteristic

Notes:

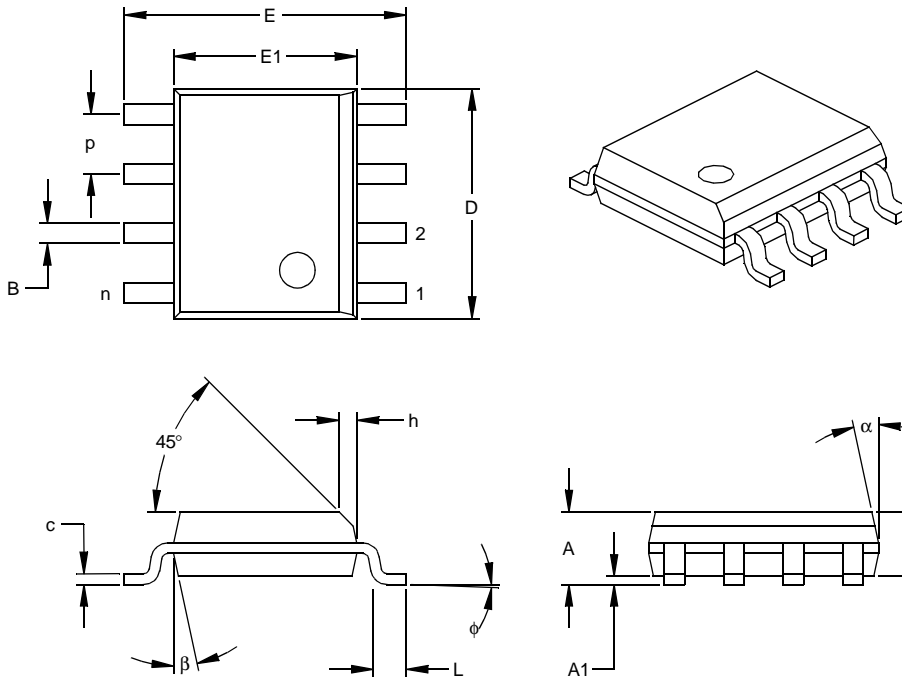
Dimensions D and E1 do not include mold flash or protrusions. Mold flash or protrusions shall not exceed .010" (0.254mm) per side.

JEDEC Equivalent: MS-001

Drawing No. C04-018

MCP201

8-Lead Plastic Small Outline (SN) – Narrow, 150 mil (SOIC)



Dimension Limits	Units	INCHES*			MILLIMETERS		
		MIN	NOM	MAX	MIN	NOM	MAX
Number of Pins	n		8			8	
Pitch	p		.050			1.27	
Overall Height	A	.053	.061	.069	1.35	1.55	1.75
Molded Package Thickness	A2	.052	.056	.061	1.32	1.42	1.55
Standoff §	A1	.004	.007	.010	0.10	0.18	0.25
Overall Width	E	.228	.237	.244	5.79	6.02	6.20
Molded Package Width	E1	.146	.154	.157	3.71	3.91	3.99
Overall Length	D	.189	.193	.197	4.80	4.90	5.00
Chamfer Distance	h	.010	.015	.020	0.25	0.38	0.51
Foot Length	L	.019	.025	.030	0.48	0.62	0.76
Foot Angle	φ	0	4	8	0	4	8
Lead Thickness	c	.008	.009	.010	0.20	0.23	0.25
Lead Width	B	.013	.017	.020	0.33	0.42	0.51
Mold Draft Angle Top	α	0	12	15	0	12	15
Mold Draft Angle Bottom	β	0	12	15	0	12	15

* Controlling Parameter

§ Significant Characteristic

Notes:

Dimensions D and E1 do not include mold flash or protrusions. Mold flash or protrusions shall not exceed .010" (0.254mm) per side.

JEDEC Equivalent: MS-012

Drawing No. C04-057

PRODUCT IDENTIFICATION SYSTEM

To order or obtain information, e.g., on pricing or delivery, refer to the factory or the listed sales office.

<u>PART NO.</u>	<u>X</u>	<u>/XX</u>	
Device	Temperature Range	Package	
Device:	MCP201:	LIN Transceiver with Voltage Regulator	Examples:
	MCP201T:	LIN Transceiver with Voltage Regulator (Tape and Reel)	
Temperature Range:	I	= -40°C to +85°C	a) MCP201-E/SN: Extended Temperature, SOIC package.
	E	= -40°C to +125°C	b) MCP201-E/P: Extended Temperature, PDIP package.
Package:	MF	= Dual Flatpack, No-Lead (6x5 mm Body), 8-lead	c) MCP201-I/SN: Industrial Temperature, SOIC package.
	P	= Plastic DIP (300 mil Body), 8-lead	d) MCP201-I/P: Industrial Temperature, PDIP package.
	SN	= Plastic SOIC, (150 mil Body), 8-lead	e) MCP201T-I/SN: Tape and Reel, Industrial Temperature, SOIC package.
			f) MCP201T-E/SN: Tape and Reel, Extended Temperature, SOIC package.
			g) MCP201-E/MF: Extended Temperature, DFN package.
			h) MCP201T-E/MF: Tape and Reel, Extended Temperature, DFN package.

Sales and Support

Data Sheets

Products supported by a preliminary Data Sheet may have an errata sheet describing minor operational differences and recommended workarounds. To determine if an errata sheet exists for a particular device, please contact one of the following:

1. Your local Microchip sales office
2. The Microchip Corporate Literature Center U.S. FAX: (480) 792-7277
3. The Microchip Worldwide Site (www.microchip.com)

Please specify which device, revision of silicon and Data Sheet (include Literature #) you are using.

Customer Notification System

Register on our web site (www.microchip.com/cn) to receive the most current information on our products.

MCP201

NOTES:

Note the following details of the code protection feature on Microchip devices:

- Microchip products meet the specification contained in their particular Microchip Data Sheet.
- Microchip believes that its family of products is one of the most secure families of its kind on the market today, when used in the intended manner and under normal conditions.
- There are dishonest and possibly illegal methods used to breach the code protection feature. All of these methods, to our knowledge, require using the Microchip products in a manner outside the operating specifications contained in Microchip's Data Sheets. Most likely, the person doing so is engaged in theft of intellectual property.
- Microchip is willing to work with the customer who is concerned about the integrity of their code.
- Neither Microchip nor any other semiconductor manufacturer can guarantee the security of their code. Code protection does not mean that we are guaranteeing the product as "unbreakable."

Code protection is constantly evolving. We at Microchip are committed to continuously improving the code protection features of our products. Attempts to break Microchip's code protection feature may be a violation of the Digital Millennium Copyright Act. If such acts allow unauthorized access to your software or other copyrighted work, you may have a right to sue for relief under that Act.

Information contained in this publication regarding device applications and the like is intended through suggestion only and may be superseded by updates. It is your responsibility to ensure that your application meets with your specifications. No representation or warranty is given and no liability is assumed by Microchip Technology Incorporated with respect to the accuracy or use of such information, or infringement of patents or other intellectual property rights arising from such use or otherwise. Use of Microchip's products as critical components in life support systems is not authorized except with express written approval by Microchip. No licenses are conveyed, implicitly or otherwise, under any intellectual property rights.

Trademarks

The Microchip name and logo, the Microchip logo, Accuron, dsPIC, KEELOQ, microID, MPLAB, PIC, PICmicro, PICSTART, PRO MATE, PowerSmart, rfPIC, and SmartShunt are registered trademarks of Microchip Technology Incorporated in the U.S.A. and other countries.


AmpLab, FilterLab, MXDEV, MXLAB, PICMASTER, SEEVAL, SmartSensor and The Embedded Control Solutions Company are registered trademarks of Microchip Technology Incorporated in the U.S.A.

Analog-for-the-Digital Age, Application Maestro, dsPICDEM, dsPICDEM.net, dsPICworks, ECAN, ECONOMONITOR, FanSense, FlexROM, fuzzyLAB, In-Circuit Serial Programming, ICSP, ICEPIC, Migratable Memory, MPASM, MPLIB, MPLINK, MPSIM, PICkit, PICDEM, PICDEM.net, PICLAB, PICtail, PowerCal, PowerInfo, PowerMate, PowerTool, rLAB, rfPICDEM, Select Mode, Smart Serial, SmartTel and Total Endurance are trademarks of Microchip Technology Incorporated in the U.S.A. and other countries.

SQTP is a service mark of Microchip Technology Incorporated in the U.S.A.

All other trademarks mentioned herein are property of their respective companies.

© 2004, Microchip Technology Incorporated, Printed in the U.S.A., All Rights Reserved.

 Printed on recycled paper.

**QUALITY MANAGEMENT SYSTEM
CERTIFIED BY DNV
== ISO/TS 16949:2002 ==**

Microchip received ISO/TS-16949:2002 quality system certification for its worldwide headquarters, design and wafer fabrication facilities in Chandler and Tempe, Arizona and Mountain View, California in October 2003. The Company's quality system processes and procedures are for its PICmicro® 8-bit MCUs, KEELOQ® code hopping devices, Serial EEPROMs, microperipherals, nonvolatile memory and analog products. In addition, Microchip's quality system for the design and manufacture of development systems is ISO 9001:2000 certified.



WORLDWIDE SALES AND SERVICE

AMERICAS

Corporate Office

2355 West Chandler Blvd.
Chandler, AZ 85224-6199
Tel: 480-792-7200
Fax: 480-792-7277
Technical Support: 480-792-7627
Web Address: www.microchip.com

Atlanta

3780 Mansell Road, Suite 130
Alpharetta, GA 30022
Tel: 770-640-0034
Fax: 770-640-0307

Boston

2 Lan Drive, Suite 120
Westford, MA 01886
Tel: 978-692-3848
Fax: 978-692-3821

Chicago

333 Pierce Road, Suite 180
Itasca, IL 60143
Tel: 630-285-0071
Fax: 630-285-0075

Dallas

16200 Addison Road, Suite 255
Addison Plaza
Addison, TX 75001
Tel: 972-818-7423
Fax: 972-818-2924

Detroit

Tri-Atria Office Building
32255 Northwestern Highway, Suite 190
Farmington Hills, MI 48334
Tel: 248-538-2250
Fax: 248-538-2260

Kokomo

2767 S. Albright Road
Kokomo, IN 46902
Tel: 765-864-8360
Fax: 765-864-8387

Los Angeles

25950 Acero St., Suite 200
Mission Viejo, CA 92691
Tel: 949-462-9523
Fax: 949-462-9608

San Jose

1300 Terra Bella Avenue
Mountain View, CA 94043
Tel: 650-215-1444
Fax: 650-961-0286

Toronto

6285 Northam Drive, Suite 108
Mississauga, Ontario L4V 1X5, Canada
Tel: 905-673-0699
Fax: 905-673-6509

ASIA/PACIFIC

Australia

Microchip Technology Australia Pty Ltd
Unit 32 41 Rawson Street
Epping 2121, NSW
Sydney, Australia
Tel: 61-2-9868-6733
Fax: 61-2-9868-6755

China - Beijing

Unit 706B
Wan Tai Bei Hai Bldg.
No. 6 Chaoyangmen Bei Str.
Beijing, 100027, China
Tel: 86-10-85282100
Fax: 86-10-85282104

China - Chengdu

Rm. 2401-2402, 24th Floor,
Ming Xing Financial Tower
No. 88 TIDU Street
Chengdu 610016, China
Tel: 86-28-86766200
Fax: 86-28-86766599

China - Fuzhou

Unit 28F, World Trade Plaza
No. 71 Wusi Road
Fuzhou 350001, China
Tel: 86-591-7503506
Fax: 86-591-7503521

China - Hong Kong SAR

Unit 901-6, Tower 2, Metroplaza
223 Hing Fong Road
Kwai Fong, N.T., Hong Kong
Tel: 852-2401-1200
Fax: 852-2401-3431

China - Shanghai

Room 701, Bldg. B
Far East International Plaza
No. 317 Xian Xia Road
Shanghai, 200051
Tel: 86-21-6275-5700
Fax: 86-21-6275-5060

China - Shenzhen

Rm. 1812, 18/F, Building A, United Plaza
No. 5022 Binhe Road, Futian District
Shenzhen 518033, China
Tel: 86-755-82901380
Fax: 86-755-82951393

China - Shunde

Room 401, Hongjian Building, No. 2
Fengxiangnan Road, Ronggui Town, Shunde
District, Foshan City, Guangdong 528303, China
Tel: 86-757-28395507 Fax: 86-757-28395571

China - Qingdao

Rm. B505A, Fullhope Plaza,
No. 12 Hong Kong Central Rd.
Qingdao 266071, China
Tel: 86-532-5027355 Fax: 86-532-5027205

India

Divyasree Chambers
1 Floor, Wing A (A3/A4)
No. 11, O'Shaughnessy Road
Bangalore, 560 025, India
Tel: 91-80-22290061 Fax: 91-80-22290062

Japan

Yusen Shin Yokohama Building 10F
3-17-2, Shin Yokohama, Kohoku-ku,
Yokohama, Kanagawa, 222-0033, Japan
Tel: 81-45-471-6166 Fax: 81-45-471-6122

Korea

168-1, Youngbo Bldg. 3 Floor
Samsung-Dong, Kangnam-Ku
Seoul, Korea 135-882
Tel: 82-2-554-7200 Fax: 82-2-558-5932 or
82-2-558-5934

Singapore

200 Middle Road
#07-02 Prime Centre
Singapore, 188980
Tel: 65-6334-8870 Fax: 65-6334-8850

Taiwan

Kaohsiung Branch
30F - 1 No. 8
Min Chuan 2nd Road
Kaohsiung 806, Taiwan
Tel: 886-7-536-4816
Fax: 886-7-536-4817

Taiwan

Taiwan Branch
11F-3, No. 207
Tung Hua North Road
Taipei, 105, Taiwan
Tel: 886-2-2717-7175 Fax: 886-2-2545-0139

Taiwan

Taiwan Branch
13F-3, No. 295, Sec. 2, Kung Fu Road
Hsinchu City 300, Taiwan
Tel: 886-3-572-9526
Fax: 886-3-572-6459

EUROPE

Austria

Durisolstrasse 2
A-4600 Wels
Austria
Tel: 43-7242-2244-399
Fax: 43-7242-2244-393

Denmark

Regus Business Centre
Lautrup høj 1-3
Ballerup DK-2750 Denmark
Tel: 45-4420-9895 Fax: 45-4420-9910

France

Parc d'Activite du Moulin de Massy
43 Rue du Saule Trapu
Batiment A - ler Etage
91300 Massy, France
Tel: 33-1-69-53-63-20
Fax: 33-1-69-30-90-79

Germany

Steinheilstrasse 10
D-85737 Ismaning, Germany
Tel: 49-89-627-144-0
Fax: 49-89-627-144-44

Italy

Via Salvatore Quasimodo, 12
20025 Legnano (MI)
Milan, Italy
Tel: 39-0331-742611
Fax: 39-0331-466781

Netherlands

Waegenburghtplein 4
NL-5152 JR, Drunen, Netherlands
Tel: 31-416-690399
Fax: 31-416-690340

United Kingdom

505 Eskdale Road
Winnersh Triangle
Wokingham
Berkshire, England RG41 5TU
Tel: 44-118-921-5869
Fax: 44-118-921-5820

07/12/04