

PROTECTION STANDARDS APPLICABLE TO SWITCHING EQUIPMENT

A. Bremond

1. INTRODUCTION

The purpose of this document is to summarize the main telecommunication standards with regard to the protection requirements against two types of overvoltage :

- lightning surges
- power crossing perturbations

Each country publishes its standard, which can be summarized by the times t_1 and t_2 , the peak voltage of the wave and the surge generator diagram. Table 1 gives on inexhaustive list of the standards .

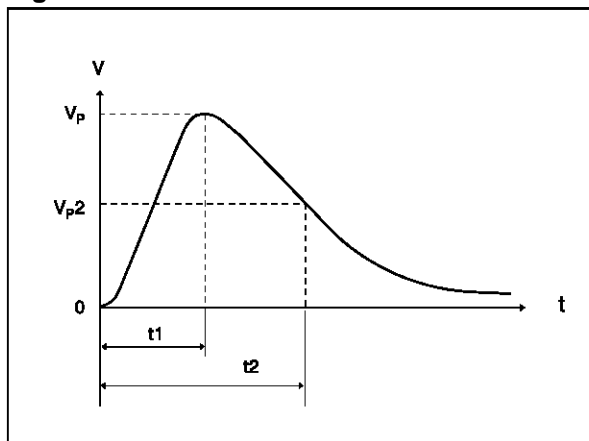
Table 1 : Lightning surge standards

2. LIGHTNING SURGES

The lightning overvoltage is simulated by a biexponential wave, which is defined by the rise time t_1 and the duration t_2 between the start and the time at which the falling edge crosses half the peak value (fig.1)

| COUNTRY | AUTHORITY | WAVEFORM (μ s) |
|-------------|------------------------------|---------------------------|
| ENGLAND | BRITISH TELECOM | 10/700 |
| FRANCE | PTT | 0.5/700 |
| GERMANY | BUNDESPOST | 10/700 |
| ITALY | SIP | 10/700 1/1000 |
| SPAIN | COMPANY TELEFONICA DE ESPANA | 1/1000 |
| SWEDEN | TELEVERKET | 10/700 |
| SWITZERLAND | PTT - BETRIEBE | 10/700 1.2/50 |
| USA | BELL | 10/1000 10/360 2/10 |
| | FCC | 10/560 10/160 2/10 |

Figure 1 : Standard wave



APPLICATION NOTE

The following figures give the schematics of the surge generators mainly used :

Figure 2 : 10/700 μ s wave generator

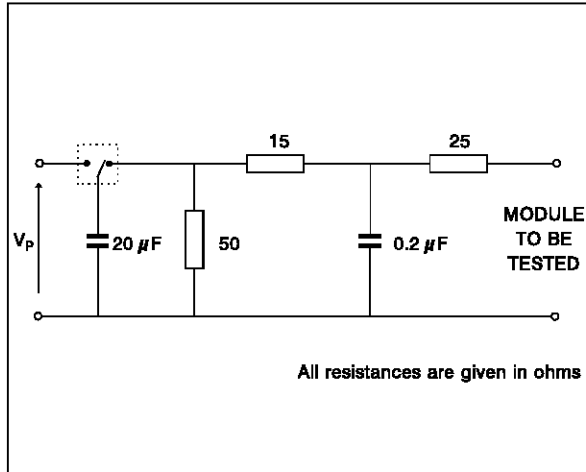


Figure 3 : 1.2/50 μ s wave generator

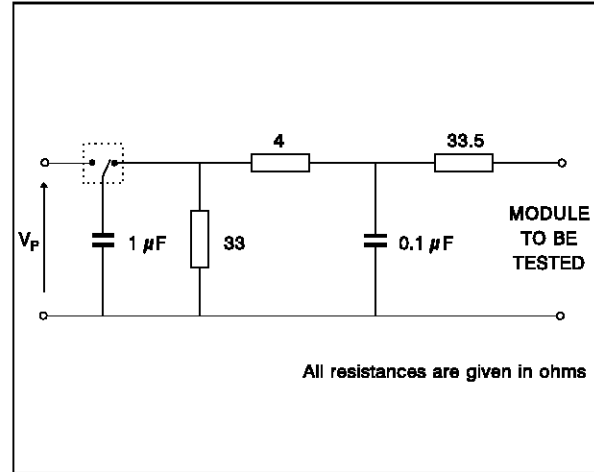


Figure 4 : 0.5/700 μ s wave generator

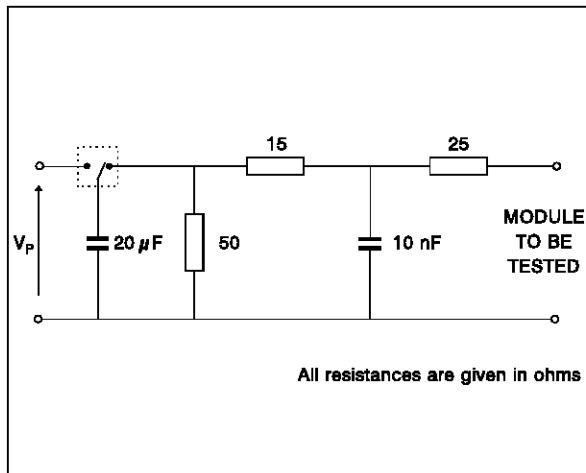


Figure 5 : 10/560 μ s wave generator

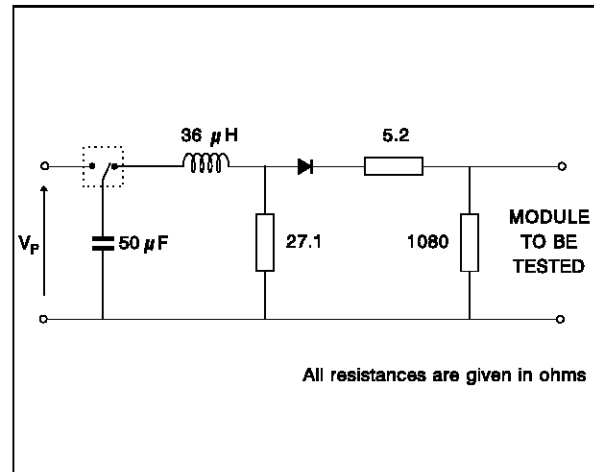


Figure 6 : 1/1000 μ s wave generator

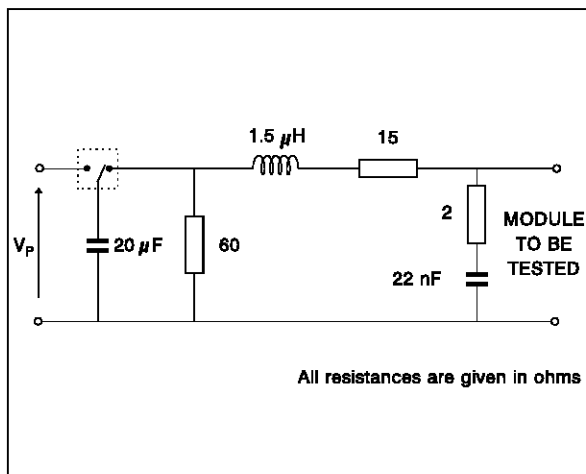


Figure 7 : 10/160 μ s wave generator

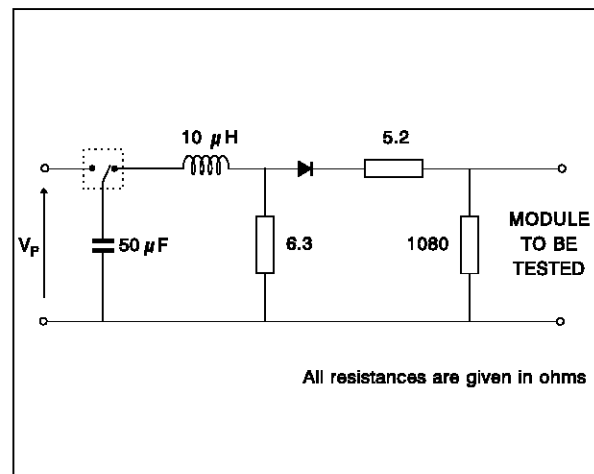
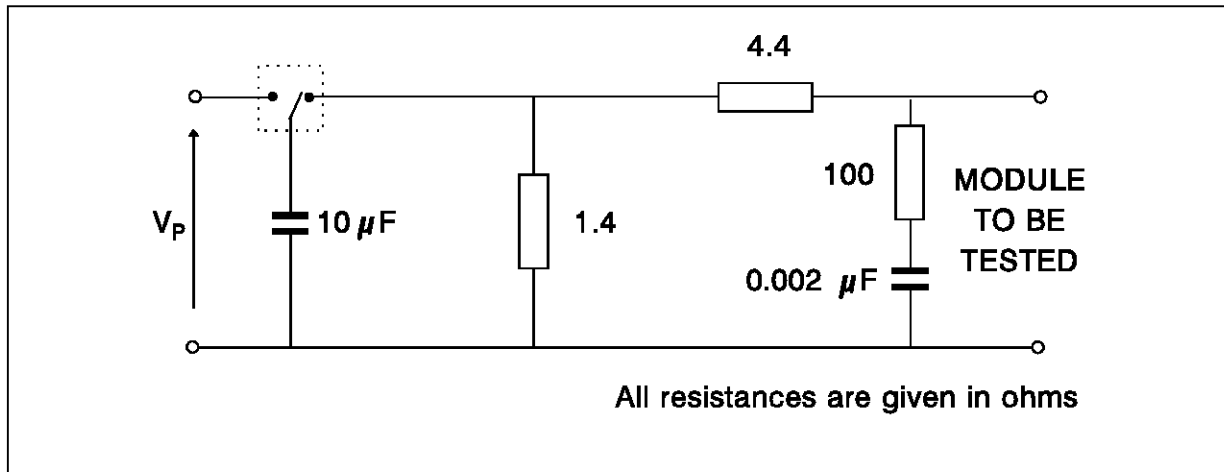


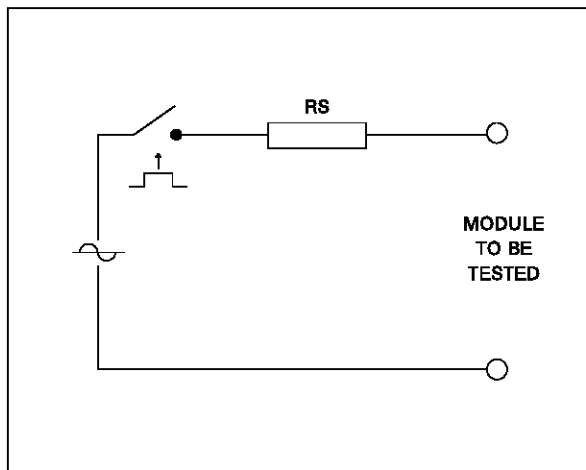
Figure 8 : 2/10 μs wave generator



3. CROSSING OR PROXIMITY WITH MAINS AC LINES :

Crossing or proximity is simulated by a sine wave generator (50 or 60 Hz) connected through a series resistor for a defined time (fig.9).

Figure 9 : Crossing simulation generator



4. CONCLUSION

Telecommunications is a field in which the protection against overvoltages is well defined by standards. The SGS-THOMSON range of protection devices enables all of these to be covered.

Table 2 give some example of crossing simulations.

Table 2 : Power crossing simulations

| COUNTRY | VOLTAGE Volts RMS | SERIES RESISTOR (Ohms) | DURATION |
|---------|-----------------------|------------------------|---|
| ENGLAND | 0 TO 250 | 40 TO 400 | 15mn |
| | 0 TO 650 | 150 | 1s |
| | 0 TO 430 (50 Hz) | 150 | 2s |
| FRANCE | 0 TO 1000 | 20 | Trains of - 1s "on" - 1s "off" - 1s "on" |
| | > 1000 (50 Hz) | 3000 | |
| GERMANY | 300 (50 Hz or 16.6Hz) | 600 | 200 ms |
| ITALY | 300 | 600 | 500 ms |
| | 650 | 200 | 500 ms |
| | 220 | 10 or 600 | 15 mn |
| USA | 0 - 50 | 150 | 15 mn |
| | 50 - 100 | 600 | 15 mn |
| | 100 - 600 | 600 | 60 x 1s application |

Note : Protection resistors on the line card inputs decrease the peak surge current. These elements have to be taken into account during the line card design to optimize the protection function.

Information furnished is believed to be accurate and reliable. However, SGS-THOMSON Microelectronics assumes no responsibility for the consequences of use of such information nor for any infringement of patents or other rights of third parties which may result from its use. No license is granted by implication or otherwise under any patent or patent rights of SGS-THOMSON Microelectronics. Specifications mentioned in this publication are subject to change without notice. This publication supersedes and replaces all information previously supplied.

SGS-THOMSON Microelectronics products are not authorized for use as critical components in life support devices or systems without express written approval of SGS-THOMSON Microelectronics.

© 1995 SGS-THOMSON Microelectronics - Printed in Italy - All rights reserved.

SGS-THOMSON Microelectronics GROUP OF COMPANIES

Australia - Brazil - France - Germany - Hong Kong - Italy - Japan - Korea - Malaysia - Malta - Morocco -
The Netherlands - Singapore - Spain - Sweden - Switzerland - Taiwan - Thailand - United Kingdom - U.S.A.