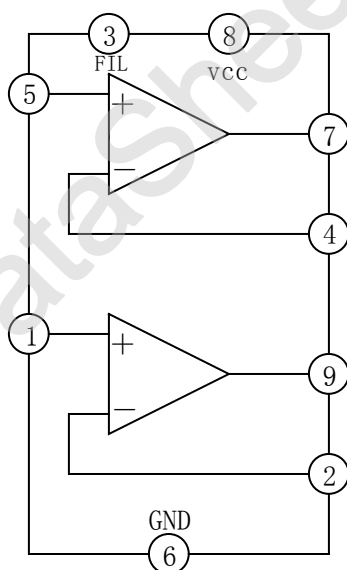


6W STEREO AMPLIFIER—YD1007**DESCRIPTION**

The YD1007 is a class AB dual audio power amplifier assembled in single in line 9 pins package, specially designed for stereo application in music centers TV receivers and portable radios.

FEATURES

- *High output power;
- *High current capability;
- *AC short circuit protection;
- *Thermal overload protection.

BLOCK DIAGRAM**WuXi YouDa Electronics Co., Ltd**

Add: E-3-A6, Li Yuan Economic Development Zone, Wuxi Jiangsu China

Tel: 86-510-5166655

Fax: 86-510-5169922

SHENZHEN OFFICE Tel: 86-755-83740369

13823533350

Fax: 86-755-83741418

ABSOLUTE MAXIMUM RATINGS (Tamb=25°C)

PARAMETER	SYMBOL	VALUE	UNIT
Supply Voltage	Vcc	28	V
Output Peak Current (Repetitive f≥20Hz)	Io	3	A
Output Peak Current (Non repetitive t=100 μ s)	Io	3.5	A
Power Dissipation at Tcase=70°C	PD	10	W
Storage and Junction Temperature	Tstg	-40~+150	°C

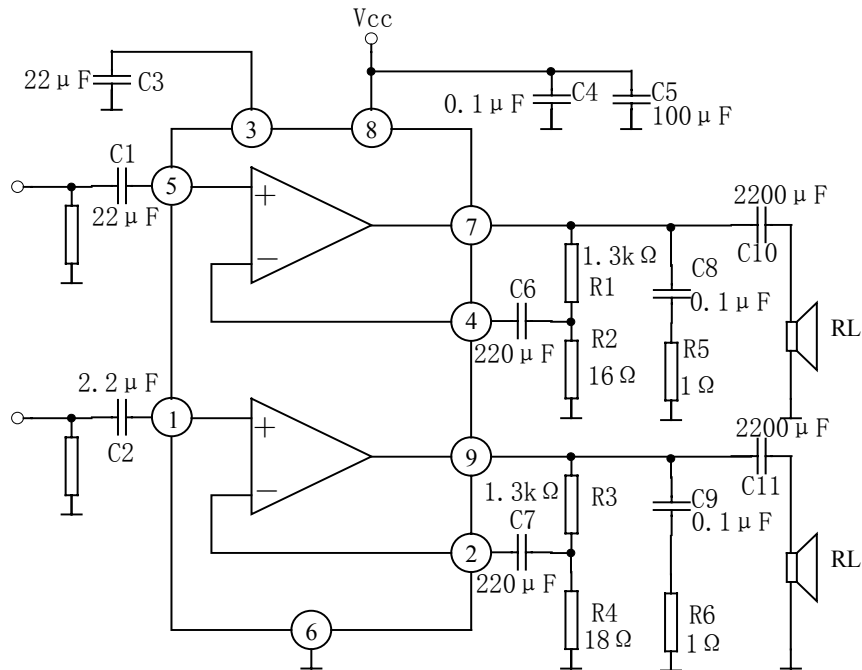
ELECTRICAL CHARACTERISTICS

(Tamb=25°C, Vcc=18V, f=1kHz, unless otherwise specified)

PARAMETER	SYMBOL	TEST CONDITIONS	MIN	TYP	MAX	UNIT
Supply Voltage	Vcc		8		26	V
Quiescent Output Voltage	Vo			8.5		V
Quiescent Circuit Current	Iccq			50	90	mA
Output Power (Each Channel)	Po	F=100 to 6kHz THD=0.5%	Vcc=18V, RL=4 Ω	5.5	6	W
		Vcc=22V, RL=8 Ω	5.5	6		
Input Saturation Voltage	Vim		300			mV
Total Harmonic Distortion	THD	f=1k, Vcc=18V, RL=4 Ω Po=0.1~3W		0.1		%
		f=1k, Vcc=22V, RL=8 Ω Po=0.1~3W		0.05		%
Input Resistance	Ri	f=1kHz	70	200		k Ω
Total Input Noise Voltage	VNI			1.5		μ V
Cross Talk	CT	RL=∞, Rg=10k Ω, f=1kHz	50	60		dB
		RL=∞, Rg=10k Ω, f=10kHz	40	50		dB
Supply Voltage Rejection	RR	Rg=10k Ω f _{ripple} =1k, V _{ripple} =1.5V		55		dB

Low Frequency roll Off (-3dB)	f_L	$R_L=4 \Omega$, $C_{10}=C_{11}=2200 \mu F$		40		Hz
Low Frequency Roll Off(-3dB)	f_H			80		KHz
Voltage Gain	G_v	$R_L=4 \Omega$	35.5	36	36.58	dB
Thermal Shut-down Junction Temperature	T_j			145		$^{\circ}C$

APPLICATION CIRCUIT



OUTLINE DRAWING

