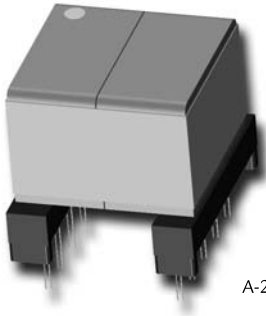


# SMPS EP13 Transformer

A-2049-005

www.DataSheet4U.com

Power Line Communications

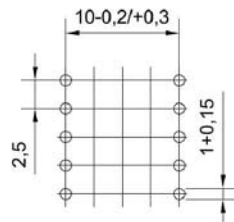
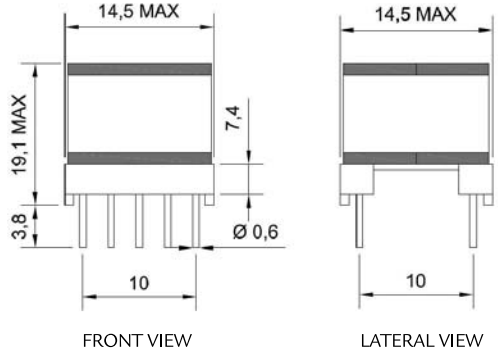


A-2049-005

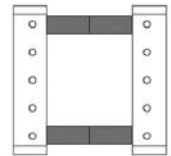
## Features

- Small dimensions.
- According to EN60950.
- UL1446 approved.
- RoHS Compliant.

## Dimensions



TOP VIEW  
Recommended  
PCB layout

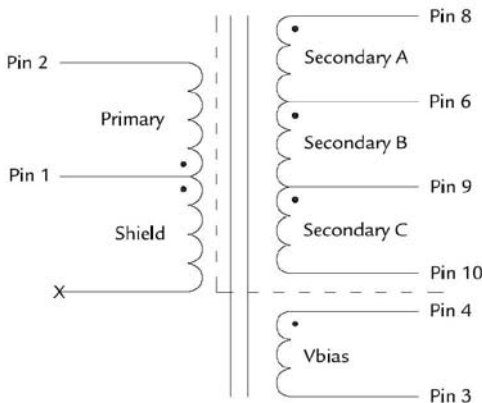


BOTTOM VIEW  
View in terminals  
side

## Electrical parameters

|                               |                      |              |
|-------------------------------|----------------------|--------------|
| Topology                      | FLYBACK              |              |
| Input voltage                 | 85-265Vac            |              |
| Output                        | Secondary A          | 1,8Vdc/1,2A  |
|                               | Secondary A+B        | 3,3Vdc/0,65A |
|                               | Secondary A+B+C      | 5Vdc/0,17A   |
| Switching frequency           | 132kHz               |              |
| D max.                        | 0,5                  |              |
| Primary inductance            | 845 $\mu$ H $\pm$ 5% |              |
| Leakage inductance            | 37 $\mu$ H typical   |              |
| Estimated losses              | Copper losses        | 0,25W        |
|                               | Core losses          | 70mW         |
| Estimated temperature rise    | 30°C                 |              |
| Operating temperature         | -20 ~ +70°C          |              |
| Storage temperature           | -20 ~ +130°C         |              |
| Isolation Primary/Secondaries | 3kVac                |              |
| Isolation Primary/Core        | 1,5kVac              |              |
| Isolation Secondaries/Core    | 1,5kVac              |              |

## Electrical diagram



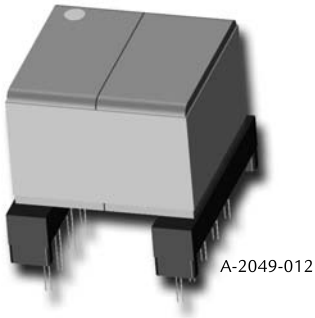
Standards  
EN60950 compliant.  
According to RoHS directive.  
Materials UL listed.

Packaging  
Antistatic tray.

# SMPS EP13 Transformer

A-2049-012

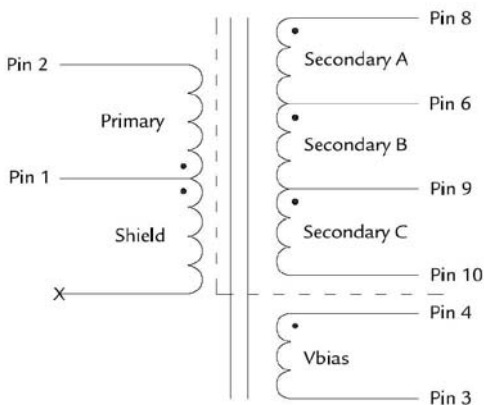
www.DataSheet4U.com



## Electrical parameters

|                               |                 |              |
|-------------------------------|-----------------|--------------|
| Topology                      | FLYBACK         |              |
| Input voltage                 | 85-265Vac       |              |
| Output                        | Secondary A     | 1,8Vdc/1,2A  |
|                               | Secondary A+B   | 3,3Vdc/0,65A |
|                               | Secondary A+B+C | 5Vdc/0,17A   |
| Switching frequency           | 132kHz          |              |
| D max.                        | 0,5             |              |
| Primary inductance            | 920µH ±5%       |              |
| Leakage inductance            | 50µH max.       |              |
| Estimated losses              | Copper losses   | 0,25W        |
|                               | Core losses     | 70mW         |
| Estimated temperature rise    | 30°C            |              |
| Operating temperature         | -20 ~ +70°C     |              |
| Storage temperature           | -20 ~ +130°C    |              |
| Isolation Primary/Secondaries | 3kVac           |              |
| Isolation Primary/Core        | 1,5kVac         |              |
| Isolation Secondaries/Core    | 1,5kVac         |              |

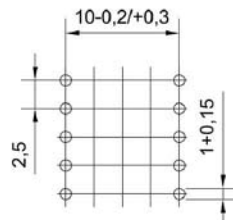
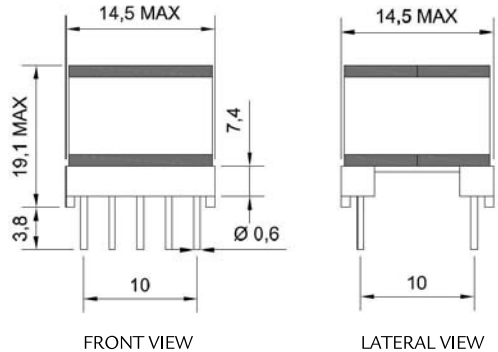
## Electrical diagram



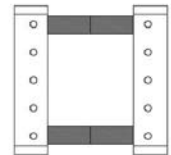
## Features

- Small dimensions.
- According to EN60950.
- UL1446 approved.
- RoHS Compliant.

## Dimensions



TOP VIEW  
Recommended  
PCB layout



BOTTOM VIEW  
View in terminals  
side

Standards  
EN60950 compliant.  
According to RoHS directive.  
Materials UL listed.

Packaging  
Antistatic tray.

www.DataSheet4U.com