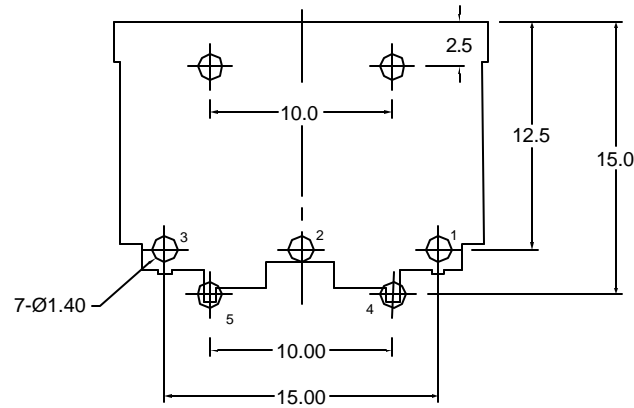


PCB LAYOUT  
(Bottom View)



**Materials and Finish**

Material- PBT Thermoplastic  
 UL94V-0 Rated  
 Color: black  
 Contact-Brass, Tin Plated  
 Shield - Brass, Nickel plated

**Mechanical Characteristics**

Insertion Force  
 0.5kg - 4.5kg  
 Withdrawal Force  
 0.5kg - 4.5kg  
 Durability  
 5000 cycles

**Electrical Characteristics**

Rated Current: 2.0 AMP DC  
 Rated Voltage: 24.0V DC  
 Insulation Resistance  
 100 Megohms min. at 500V DC  
 Contact Resistance  
 Before Test : 50 Milliohms max.  
 After Test: 100 Milliohms max.  
 Dielectric Withstanding Voltage  
 500V AC for 1 minute  
 Operating Temperature  
 -25°C to 85°C



Tolerances	
X.X ± 0.25	
X.XX ± 0.15	
Unless Stated	Otherwise

REV.	DATE	DESCRIPTION	REV. BY	CHK. BY	DRAWN BY	DATE
A0	2/23/06	New Drawing	R. Aguirre	H. MA	R. Aguirre	01/30/06
A1	4/27/06	Release Drawing	H. MA	N/A		

**KCDX-5S-S**

5 pos. Circular Din ,RoHS Compliant

Shielded, 10 mm Pitch

