

**PLEASE CHECK WWW.MOLEX.COM FOR LATEST PART INFORMATION**

**Part Number:** [0191600009](#)  
**Status:** **Active**  
**Description:** Closed-End Insulated Splice for 12-22 AWG Wire

### Agency Certification

CSA	LR18689
UL	E32244

### General

Product Family	Splices
Series	<a href="#">19160</a>
Crimp Quality Equipment	Yes
Mil-Spec	N/A
MolexKits	Yes
Product Name	Closed-End Insulated

### Physical

Barrel Type	Closed
Flammability	94V-2
Insulation	Nylon (PA)
Packaging Type	Bag
Temperature Range - Operating	105°C
Wire Insulation Diameter	6.86mm (.270") max
Wire Size AWG	12, 14, 16, 18, 20, 22

### Electrical

Voltage - Maximum	600V
-------------------	------

### Material Info

Old Part Number	NC-2212
-----------------	---------

### Reference - Drawing Numbers

Product Specification	PS-19160-006
Sales Drawing	SD-19160-001

#### EU RoHS

**ELV and RoHS  
Compliant**

#### REACH SVHC

Not Reviewed

#### Halogen-Free

#### Status

**Not Reviewed**

#### China RoHS



**Need more information on product  
environmental compliance?**

Email [productcompliance@molex.com](mailto:productcompliance@molex.com)  
 For a multiple part number RoHS Certificate of  
 Compliance, [click here](#)

Please visit the [Contact Us](#) section for any  
 non-product compliance questions.

#### Search Parts in this Series

[19160Series](#)

#### Application Tooling | [FAQ](#)

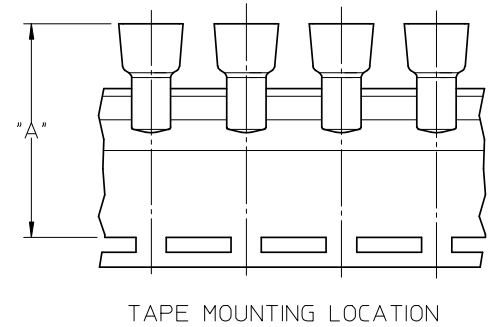
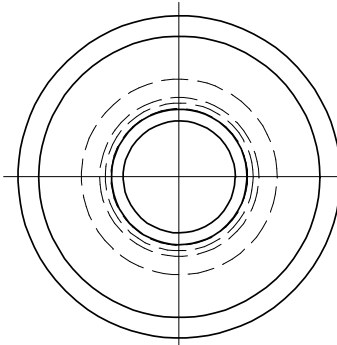
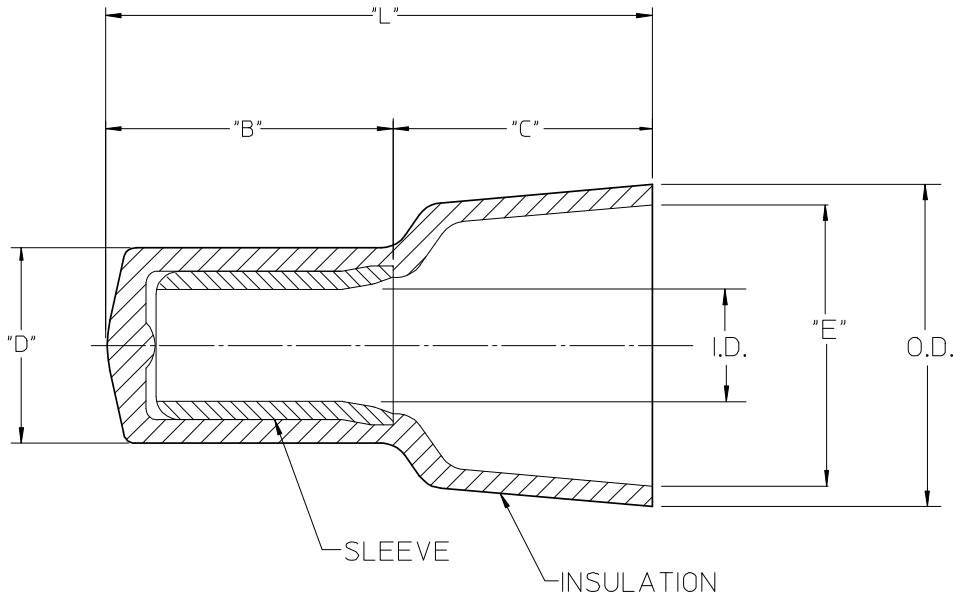
*Tooling specifications and manuals are  
 found by selecting the products below.  
 Crimp Height Specifications are then  
 contained in the Application Tooling  
 Specification document.*

#### Global

Description	Product #
Hand Crimp Tool	<a href="#">0640010900</a>
Crimp Head for the AT-200™ Pneumatic Hand Tool	<a href="#">0640050900</a>
Crimp Head for the AT-200™ Pneumatic Hand Tool	<a href="#">0640053600</a>

**PLEASE CHECK WWW.MOLEX.COM FOR LATEST PART INFORMATION**

LOOSE PIECE		TAPE MOUNTED		"L" MAX.	"B" ±.010/0.25	"D" MAX.	"E" MIN.	I.D. MIN.	O.D. MAX.	"A" DIM ±.015/0.38	"C" REF
MATERIAL NO.	ENG. NO.	MATERIAL NO.	ENG. NO.								
191600012	NC-2214	191600070	NC-2214T	.62/15.7Ⓞ	.33/8.4 Ⓞ	.19/4.8	.24/6.1	.09/2.3	.32/8.1	1.543/39.19	.28/7.1 Ⓞ
191600009	NC-2212	191600071	NC-2212T	.76/19.3Ⓞ	.35/8.9 Ⓞ	.23/5.8	.27/6.9	.10/2.5	.36/9.1	1.631/41.43	.39/9.9 Ⓞ
191600002	NC-1610	191600083	NC-1610T	.90/22.8	.39/9.9	.28/7.1	.38/9.6	.15/3.8	.45/11.4	1.750/44.45	.51/13.0
191600024	NC-8	191600028	NC-8T	1.10/27.9Ⓞ	.50/12.7Ⓞ	.36/9.1	.48/12.2	.21/5.3	.57/14.5	1.864/47.35	.60/15.2Ⓞ



NOTES:

- MATERIAL: SLEEVE: TIN-PLATED COPPER  
INSULATION: 6/6 NYLON,  
NATURAL TRANSLUCENT
- Ⓞ PARTS ARE ROHS COMPLIANT.

SALES DRAWING

CORRECT DIM ERRORS EC NO: WNA2008-0280 DRAWN BY: H.BEITZE CHKD: JMACNEIL APPR: JMACNEIL	QUALITY SYMBOLS	GENERAL TOLERANCES (UNLESS SPECIFIED)	DIMENSION STYLE	SCALE	DESIGN UNITS	THIRD ANGLE PROJECTION
	▽=0	mm INCH	IN/MM	5:1	INCH	
	▽=0	4 PLACES ± --- ± ---	DRAWN BY DATE			
		3 PLACES ± --- ± ---	H.BEITZE 04/02/23			
	2 PLACES ± --- ± ---	CHECKED BY DATE				CLOSED END CONNECTORS NYLON INSULATED
	1 PLACE ± --- ± ---	R.DEROSS 04/02/23				
	ANGULAR ± ---°	APPROVED BY DATE				MOLEX INCORPORATED
		R.DEROSS 04/02/23				
		MATERIAL NO.	SEE CHART	DOCUMENT NO.	SD-19160-001	SHEET NO. 1 OF 1
		DRAFT WHERE APPLICABLE MUST REMAIN WITHIN DIMENSIONS	SIZE B	THIS DRAWING CONTAINS INFORMATION THAT IS PROPRIETARY TO MOLEX INCORPORATED AND SHOULD NOT BE USED WITHOUT WRITTEN PERMISSION		