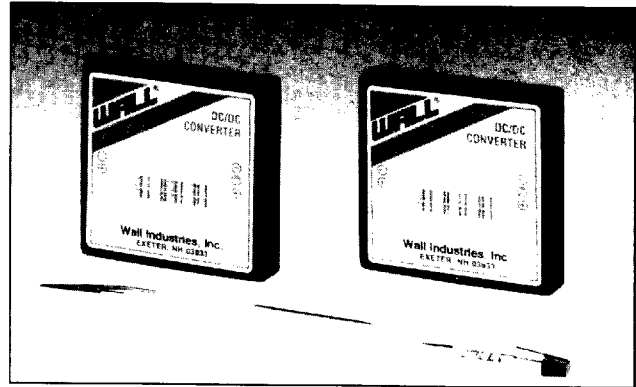


L SERIES

UP TO 7.5 WATTS

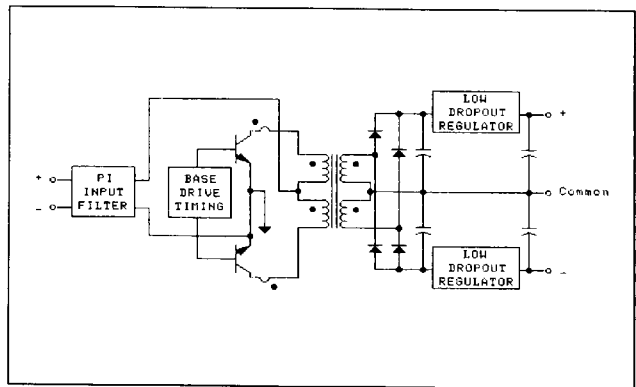
FEATURES

- 7.5 Watts Output
- High I/O Isolation
- Continuous Short Circuit Protection
- Pi-Input Filter
- Low Profile Package
- Low Output Ripple
- Five Year Warranty



The L Series from Wall Industries

The L Series features a low profile package of 2.0" x 2.0" x 0.38" with output power up to 7.5 watts. The L Series has excellent line and load regulation, input filtering, and low output ripple, as well as low input reflected ripple. Specifications include high I/O isolation (500VDC), low output ripple (<50mV P-P), and current limiting/thermal shutdown.



Dual output shown. Single similar.

SPECIFICATIONS

All specifications apply @ + 25°C ambient unless otherwise noted.

INPUT SPECIFICATIONS

Input Voltage Range 5, 12, 24, 28, 48VDC ±10
 Nominal Input 5, 12, 24, 28, 48 VDC
 Input Filter Pi-Input Filter

OUTPUT SPECIFICATIONS

Output Current see table
 Voltage Tolerance ±1%
 Thermal Shutdown approx. +100°C (case) 7.5 Watt units only
 Line Regulation 0.05%
 Load Regulation 0.2%
 Short Circuit Protection linear current limiting
 Over Voltage Protection see table
 Ripple/Noise ≤50mV (P-P)

GENERAL SPECIFICATIONS

Efficiency 65% 'Typical'
 Isolation Voltage, input to output 500 VDC (min)
 Isolation Resistance, input to output 1000 MΩ
 Switching Frequency 50KHz 'typical'

ENVIRONMENTAL SPECIFICATIONS

Operating Temperature -25°C to +85°C (case temperature)
 Storage Temperature -55°C to +100°C
 Humidity 20% - 95% R.H. (non-condensing)

PHYSICAL SPECIFICATIONS

Shielding Connections six-sided
 Weight 2.3 oz.
 Case Material Black coated metal, non-conductive base plate

Due to advances in technology, specifications subject to change without notice.

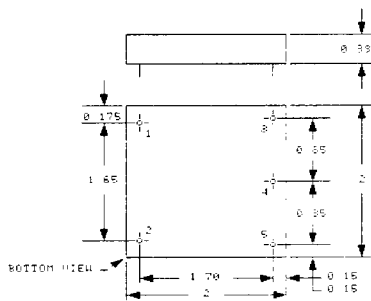


SINGLE/DUAL OUTPUT

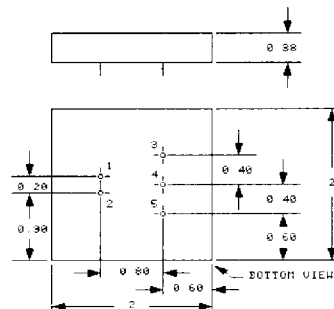
L SERIES

Input Voltage (VDC)	Output Voltage (VDC)	Output Current (Amps)	Output Power (Watts)	Model # (w/Center Pinout)	Model # (w/Standard Pinout)
5	5	1.5	7.5	LCS55-1500	LS55-1500
12				LCS25-1500	LS25-1500
24				LCS45-1500	LS45-1500
28				LCS85-1500	LS85-1500
48				LCS48-5-1500	LS48-5-1500
5	12	0.63	7.5	LCS512-630	LS512-630
12				LCS212-630	LS212-630
24				LCS412-630	LS412-630
28				LCS812-630	LS812-630
48				LCS48-12-630	LS48-12-630
5	15	0.5	7.5	LCS515-500	LS515-500
12				LCS215-500	LS215-500
24				LCS415-500	LS415-500
28				LCS815-500	LS815-500
48				LCS48-15-500	LS48-15-500
5	± 5	0.75	7.5	LCD55-750	LD55-750
12				LCD25-750	LD25-750
24				LCD45-750	LD45-750
28				LCD85-750	LD85-750
48				LCD48-5-750	LD48-5-750
5	± 12	0.31	7.5	LCD512-310	LD512-310
12				LCD212-310	LD212-310
24				LCD412-310	LD412-310
28				LCD812-310	LD812-310
48				LCD48-12-310	LD48-12-310
5	± 15	0.25	7.5	LCD515-250	LD515-250
12				LCD215-250	LD215-250
24				LCD415-250	LD415-250
28				LCD815-250	LD815-250
48				LCD48-15-250	LD48-15-250

Units rated for 5 watts also available. Lower power versions will operate to the same parameters as those noted for 7.5 watt units. Consult factory for part numbers.



Outer Pinout



Center Pinout

Pin Functions		
Pin	Single	Dual
1	+ In	+ In
2	- In	- In
3	+ Out	+ Out
4	N/C	Common
5	- Out	- Out

Notes

1. All case and pin to case dimensions reference only unless otherwise noted
2. P.C. pins: 0.04" Dia. x 0.20" long (min); typical five places
3. Pin to pin tolerance ± 0.01". Pin diameter tolerance ± 0.005"
4. Header plate protrudes 0.008" on four sides

