

## KLLU Class L Fuses

600 VAC • Time-Delay • 601 – 4000 Amperes



KLLU series UL Listed, time-delay, Class L fuses are quality fuses, developed to provide a somewhat lower priced alternate to the POWR-PRO® KLPC series fuses. KLLU series fuses meet or exceed all UL requirements for Class L fuses. For superior protection and performance, specification-grade POWR-PRO KLPC series fuses are the recommended fuse. Complete information on KLPC fuses may be found in the POWR-PRO Fuse section of this catalog.

### Applications

- Service switches
- Switchboard mains and feeders
- Bolted pressure contact switches
- Motor control center mains
- Large motor branch circuits
- UL Listed series rated protection for molded case circuit breaker panelboards and loadcenters. See panelboard manufacturers' literature for recommended fuse rating.

### Safety

- 200,000 A.I.R. — Provides reliable interruption of all overcurrents up to 200,000 amperes.
- When used for motor branch circuit protection, KLLU fuses may be sized close to the motor full load current, providing excellent protection to branch circuit conductors, motor control equipment and motors.

### Longer Equipment Life

- Current-Limiting — Reduces short-circuit damage to systems and equipment.
- Reduced downtime.
- Ten second minimum time-delay at 500% current eliminates needless downtime caused by heavy starting currents of large motors and other inductive loads.
- Selective coordination — KLLU fuses coordinate well with other Class L fuses and with all current-limiting Littelfuse fuses rated 600 amps or less. This means less time spent trying to locate short-circuits or overloaded equipment, because only the fuse immediately on the line side of the affected circuit opens.

### Easy To Use

- 200,000 A.I.R. rating minimizes need for short-circuit calculations, while meeting present and future system requirements.
- KLLU fuse time-current characteristics closely match typical time-current curves of circuit breakers. Although fuse/circuit breaker systems can seldom be 100% coordinated, KLLU series fuses permit use of a wider range of breaker setting than fast acting Class L fuses. Excellent protection for a single breaker or a group of breakers.

### Specifications

<b>Voltage Ratings:</b>	AC: 600 Volts DC: Contact factory
<b>Interrupting Ratings:</b>	200,000 amperes rms symmetrical
<b>Ampere Range:</b>	601 – 4000 amperes
<b>Approvals:</b>	Standard 248-10, Class L UL Listed (File No: E81895) CSA Certified (File No: LR29862)

### Ampere Ratings

601	750	1000	1400	1800	3000
650	800	1200	1500	2000	3500
700	900	1350	1600	2500	4000

Example part number (series & amperage): KLLU 1000

## KLLU Class L Fuses

600 VAC • Time-Delay • 601 – 4000 Amperes

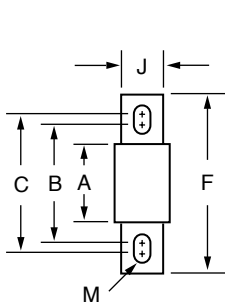


FIG. 1

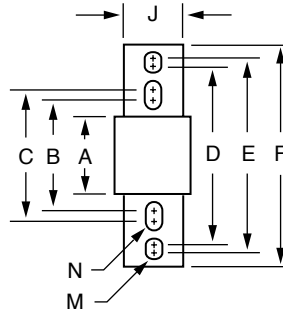


FIG. 2

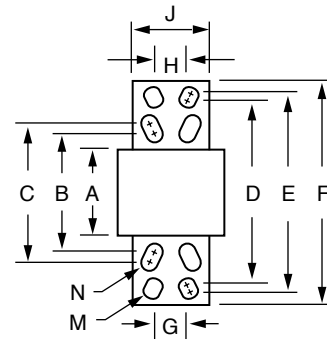


FIG. 3

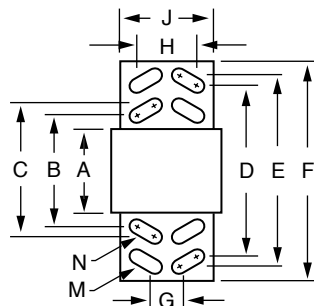
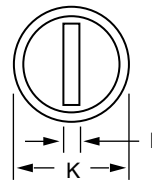


FIG. 4



Amperes	Fig. No.	Dimensions In Inches (mm in parentheses)												
		A	B	C	D	E	F	G	H	J	K	L	M	N
601 – 800	1	3 <sup>3</sup> / <sub>4</sub> (95.3)	5 <sup>3</sup> / <sub>4</sub> (146.1)	6 <sup>3</sup> / <sub>4</sub> (171.5)	—	—	8 <sup>5</sup> / <sub>8</sub> (219.1)	—	—	2 (50.8)	2 <sup>1</sup> / <sub>2</sub> (63.5)	3/8 (9.5)	5/8 x 1 <sup>1</sup> / <sub>8</sub> (15.9) x (28.6)	—
801 – 1200	2	3 <sup>3</sup> / <sub>4</sub> (95.3)	5 <sup>3</sup> / <sub>4</sub> (146.1)	6 <sup>3</sup> / <sub>4</sub> (171.5)	9 <sup>1</sup> / <sub>4</sub> (235.0)	9 <sup>1</sup> / <sub>2</sub> (241.3)	10 <sup>3</sup> / <sub>4</sub> (273.1)	—	—	2 (50.8)	2 <sup>1</sup> / <sub>2</sub> (63.5)	3/8 (9.5)	5/8 x 3/4 (15.9) x (19.1)	5/8 x 1 <sup>1</sup> / <sub>8</sub> (15.9) x (28.6)
1201 – 1600	2	3 <sup>3</sup> / <sub>4</sub> (95.3)	5 <sup>3</sup> / <sub>4</sub> (146.1)	6 <sup>3</sup> / <sub>4</sub> (171.5)	9 <sup>1</sup> / <sub>4</sub> (235.0)	9 <sup>1</sup> / <sub>2</sub> (241.3)	10 <sup>3</sup> / <sub>4</sub> (273.1)	—	—	2 <sup>3</sup> / <sub>8</sub> (60.3)	3 (76.2)	7/16 (11.1)	5/8 x 3/4 (15.9) x (19.1)	5/8 x 1 <sup>1</sup> / <sub>8</sub> (15.9) x (28.6)
1601 – 2000	2	3 <sup>3</sup> / <sub>4</sub> (95.3)	5 <sup>3</sup> / <sub>4</sub> (146.1)	6 <sup>3</sup> / <sub>4</sub> (171.5)	9 <sup>1</sup> / <sub>4</sub> (235.0)	9 <sup>1</sup> / <sub>2</sub> (241.3)	10 <sup>3</sup> / <sub>4</sub> (273.1)	—	—	2 <sup>3</sup> / <sub>4</sub> (69.9)	3 <sup>1</sup> / <sub>2</sub> (88.9)	1/2 (12.7)	5/8 x 3/4 (15.9) x (19.1)	5/8 x 1 <sup>1</sup> / <sub>8</sub> (15.9) x (28.6)
2001 – 2500	3	4 (101.6)	5 <sup>3</sup> / <sub>4</sub> (146.1)	6 <sup>3</sup> / <sub>4</sub> (171.5)	9 <sup>1</sup> / <sub>4</sub> (235.0)	9 <sup>1</sup> / <sub>2</sub> (241.3)	10 <sup>3</sup> / <sub>4</sub> (273.1)	1 <sup>5</sup> / <sub>8</sub> (41.3)	1 <sup>3</sup> / <sub>4</sub> (44.5)	3 <sup>1</sup> / <sub>2</sub> (88.9)	5 (127.0)	3/4 (19.1)	5/8 x 3/4 (15.9) x (19.1)	5/8 x 1 <sup>1</sup> / <sub>8</sub> (15.9) x (28.6)
2501 – 3000	3	4 (101.6)	5 <sup>3</sup> / <sub>4</sub> (146.1)	6 <sup>3</sup> / <sub>4</sub> (171.5)	9 <sup>1</sup> / <sub>4</sub> (235.0)	9 <sup>1</sup> / <sub>2</sub> (241.3)	10 <sup>3</sup> / <sub>4</sub> (273.1)	1 <sup>5</sup> / <sub>8</sub> (41.3)	1 <sup>3</sup> / <sub>4</sub> (44.5)	4 (101.6)	5 (127.0)	3/4 (19.1)	5/8 x 3/4 (15.9) x (19.1)	5/8 x 1 <sup>1</sup> / <sub>8</sub> (15.9) x (28.6)
3001 – 4000	4	4 (101.6)	5 <sup>3</sup> / <sub>4</sub> (146.1)	6 <sup>3</sup> / <sub>4</sub> (171.5)	9 <sup>1</sup> / <sub>4</sub> (235.0)	9 <sup>1</sup> / <sub>2</sub> (241.3)	10 <sup>3</sup> / <sub>4</sub> (273.1)	1 <sup>3</sup> / <sub>4</sub> (44.5)	3 <sup>1</sup> / <sub>4</sub> (82.6)	4 <sup>3</sup> / <sub>4</sub> (120.7)	5 <sup>3</sup> / <sub>4</sub> (146.1)	3/4 (19.1)	5/8 x 1 <sup>3</sup> / <sub>8</sub> (15.9) x (34.9)	5/8 x 1 <sup>3</sup> / <sub>8</sub> (15.9) x (34.9)

## KLLU Class L Fuses

600 VAC • Time-Delay • 601 – 4000 Amperes

### Current-Limiting Effects of KLLU (600V) fuses

Short-Circuit Current*	Apparent RMS Symmetrical Current for Various Fuse Ratings					
	800A	1200A	1600A	2000A	3000A	4000A
5,000	5,000	5,000	5,000	5,000	5,000	5,000
10,000	10,000	10,000	10,000	10,000	10,000	10,000
15,000	11,900	15,000	15,000	15,000	15,000	15,000
20,000	13,000	18,500	20,000	20,000	20,000	20,000
25,000	14,000	20,000	25,000	25,000	25,000	25,000
30,000	14,500	21,000	26,500	30,000	30,000	30,000
35,000	15,000	22,000	28,500	34,000	35,000	35,000
40,000	16,000	23,000	30,000	35,000	37,000	40,000
50,000	17,000	24,000	32,000	38,000	39,000	44,000
60,000	18,000	26,000	34,000	42,000	43,000	50,000
80,000	19,000	28,000	36,000	44,000	46,000	54,500
100,000	21,000	30,000	38,000	46,000	48,000	57,500
150,000	24,000	35,000	44,000	50,000	51,000	68,000
200,000	26,000	38,000	48,000	53,000	60,000	74,000

\* Prospective RMS Symmetrical Amperes Short-Circuit Current

Note: Data Derived from Peak Let-Thru Curves

