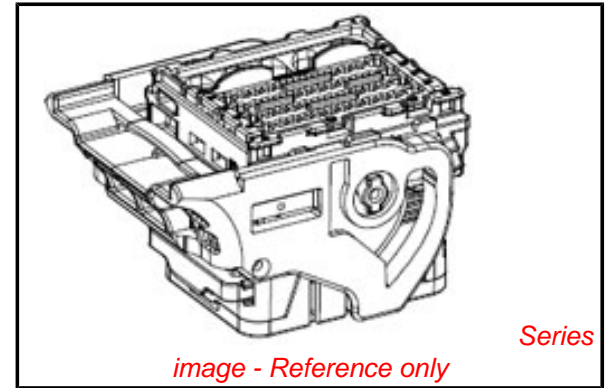


**PLEASE CHECK WWW.MOLEX.COM FOR LATEST PART INFORMATION**

**Part Number:** [0643211011](#)  
**Status:** **Active**  
**Overview:** [cmc connectors](#)  
**Description:** .635mm (.025"), 1.50mm (.059"), 2.80mm (.110"), CMC Receptacle, 53 Circuits, Left Wire Output, Black Coding, Mat Sealed

**Documents:**

<a href="#">3D Model</a>	<a href="#">Product Specification PS-64321-001 (PDF)</a>
<a href="#">Application Specification (PDF)</a>	<a href="#">RoHS Certificate of Compliance (PDF)</a>
<a href="#">Drawing (PDF)</a>	



**General**

Product Family	Crimp Housings
Series	<a href="#">64321</a>
Comments	* Current tested on a fully loaded connector, current for temperature increase of 40°C. Current max = 21.0A for 2.8mm Terminal (5.0mm <sup>2</sup> wire), 12.0A for 1.5mm Terminal (2.0mm <sup>2</sup> wire), 2.5A for 0.635mm Terminal (0.75mm <sup>2</sup> wire) *
More Detailed Tech Information	Sealed, high-density, power, modular connecting system for Power Train and Body Electronics applications in cars, trucks, busses
Overview	<a href="#">cmc connectors</a>
Product Name	CMC

**Physical**

Circuits (maximum)	53
Circuits Detail	5x 2.8mm, 8 x 1.5mm, 40 x 0.635mm terminals
Color - Resin	Black
Gender	Female
Glow-Wire Compliant	No
Keying to Mating Part	Yes
Lock to Mating Part	Yes
Material - Resin	Polyester
Number of Rows	5
Packaging Type	Carton
Panel Mount	No
Pitch - Mating Interface (in)	0.100 In, 0.138 In, 0.276 In
Pitch - Mating Interface (mm)	2.54 mm, 3.50 mm, 7.00 mm
Polarized to Mating Part	Yes
Stackable	No
Temperature Range - Operating	-40°C to +125°C

**Electrical**

Current - Maximum per Contact	12A, 2.5A, 21A
-------------------------------	----------------

**Material Info**

**Reference - Drawing Numbers**

Application Specification	AS-64321-001
Product Specification	PS-64321-001
Sales Drawing	SD-64321-001

**EU RoHS**

**ELV and RoHS Compliant**  
**REACH SVHC**  
 Not Reviewed  
**Halogen-Free Status**

**China RoHS**



**Not Reviewed**

**Need more information on product environmental compliance?**

Email [productcompliance@molex.com](mailto:productcompliance@molex.com)  
 For a multiple part number RoHS Certificate of Compliance, [click here](#)

Please visit the [Contact Us](#) section for any non-product compliance questions.

**Search Parts in this Series**

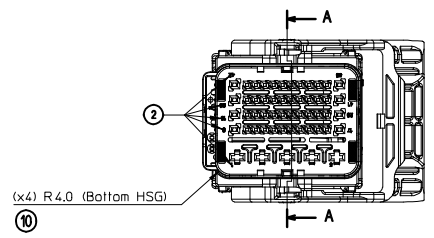
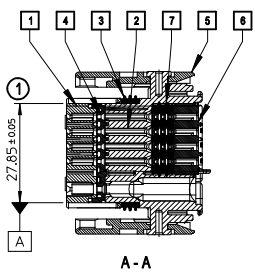
[64321Series](#)

**Mates With**

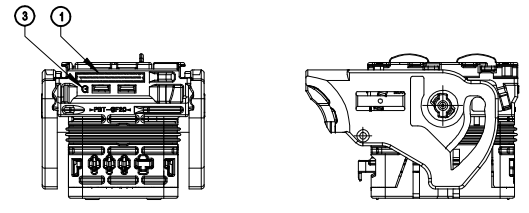
53 Circuit CMC Header [98997-1002](#) - Please Contact Molex for details

**Use With**

Female Terminals [64322](#) CP 0.635 (.025"), [64323](#) CP 1.5 (.059"). Circuit Way Plugs [643251010](#) , [643251023](#) , [643251091](#). CMC Wire Cap [643211101](#). Header [989971002](#) (contact Molex on Header)

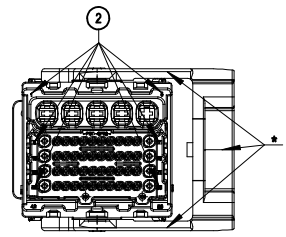
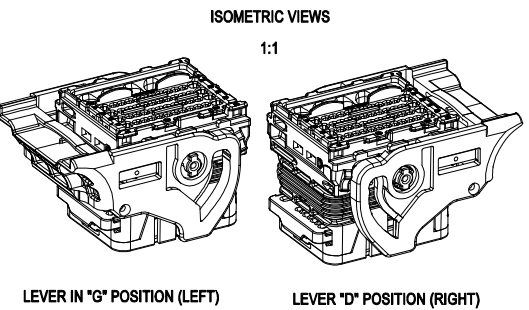
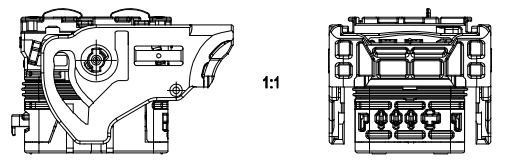
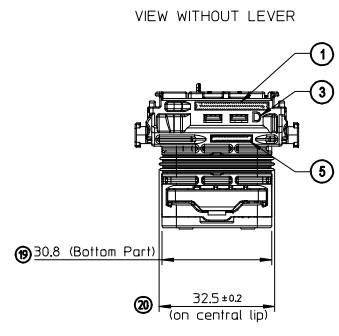
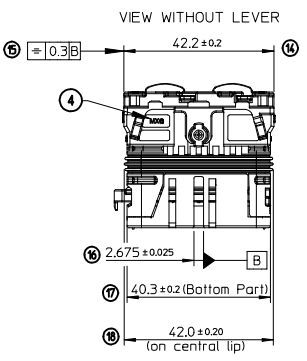
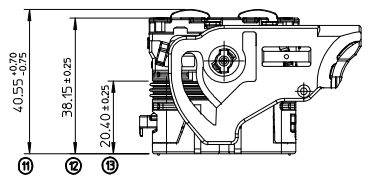
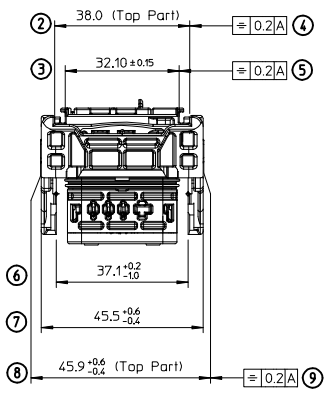
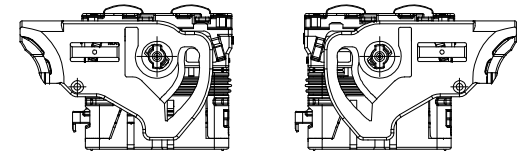


CMC 53W EQUIPED LEVER ON THE LEFT ("G" POSITION)



LEVER IN "G" POSITION (LEFT) (Position shown below)	
MOLEX PIN	COLOR
0643211011	BLACK
0643211018	GREY
0643211019	BROWN

LEVER IN "D" POSITION (RIGHT) (Position shown below)	
MOLEX PIN	COLOR
0643212011	BLACK
0643212018	GREY
0643212019	BROWN



MARKINGS:

- 1 - Tracking N° for assembled connector. (Year & Day)
- 2 - Cavities Identification (N°).
- 3 - Lever sens indicator.  
Visible letter "D" = Housing with lever on the RIGHT. (Lever on the opposite side of the SL Key)  
Visible letter "G" = Housing with lever on the LEFT. (Lever on the side of the SL Key)
- 4 - Supplier logo.
- 5 - Molex Area.

NOTES:

- 1- The represented female connector is the "D" version (Way out on the Right), Black coding.
  - 2- Application Spec.: AS-64321-001
  - 3- Plugs & caps used:  
Cavities 0.6: plug: 0643251010  
Cavities 1.5: plug: 0643251023  
Cavities 2.8: cap: 0643251091
  - 4- Weight: 50.8 g
  - 5- The assembled female connector matches with the cover CMC 53W (P/N: 0643211101)
- \* - Clamping areas on male connector.

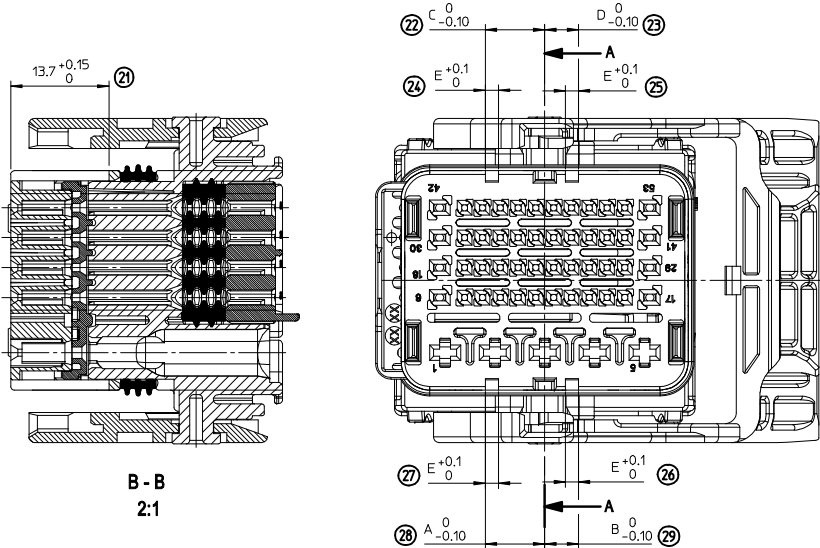
POS.	QTY	DESCRIPTION	MATERIAL	COLOR
7	1	BACK SEAL 'GROMMET'	Silicon	ORANGE
6	1	REAR SEAL COVER	>PBT-GF20<	GREY
5	1	LOCKING LEVER R&L S4	>PBT-GF30<	BLACK
4	1	TPA	>PBT-GF20<	YELLOW
3	1	PERIMETER SEAL SIZE 4	Silicon	ORANGE
2	1	HOUSING TOP PART	>PBT-GF20<	BROWN
1	1	HOUSING BOTTOM PART	>PBT-GF20<	BLACK BROWN GREY

ACCORDING FPIR EC NO: G2009-0092 DRAWN: G. DESBRUERES 2008/10/23 CHKD: O. PLESSIS 2008/11/05 APPR: L. BOULEHAN 2008/11/05	DESCRIPTION [REDACTED]	GENERAL TOLERANCES (UNLESS SPECIFIED)		DIMENSION STYLE MM ONLY	SCALE 1:1	DESIGN UNITS METRIC	FIRST ANGLE PROJECTION		
		4 PLACES ± --- ± --- 3 PLACES ± --- ± --- 2 PLACES ± 0.05 ± --- 1 PLACE ± 0.1 ± ---	mm INCH	DRAWN BY G. DESBRUERES 2007/09/05	DATE 2007/09/05	TITLE CMC FEMALE MODULE 53W GENERIC SALES DRAWING			
		DRAFT WHERE APPLICABLE MUST REMAIN WITHIN DIMENSIONS		CHECKED BY O. PLESSIS 2007/09/06	DATE 2007/09/06	MOLEX INCORPORATED			
		ANGULAR ± 2 °		APPROVED BY L. STICKEIR 2007/09/07	DATE 2007/09/07	MATERIAL NO. SEE CHARTS		DOCUMENT NO. SD-64321-001	SHEET NO. 1 OF 2

THIS DRAWING CONTAINS INFORMATION THAT IS PROPRIETARY TO MOLEX INCORPORATED AND SHOULD NOT BE USED WITHOUT WRITTEN PERMISSION

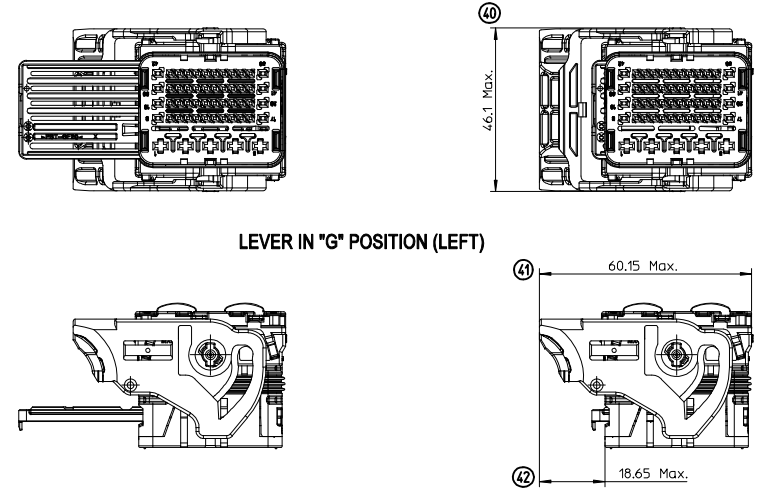
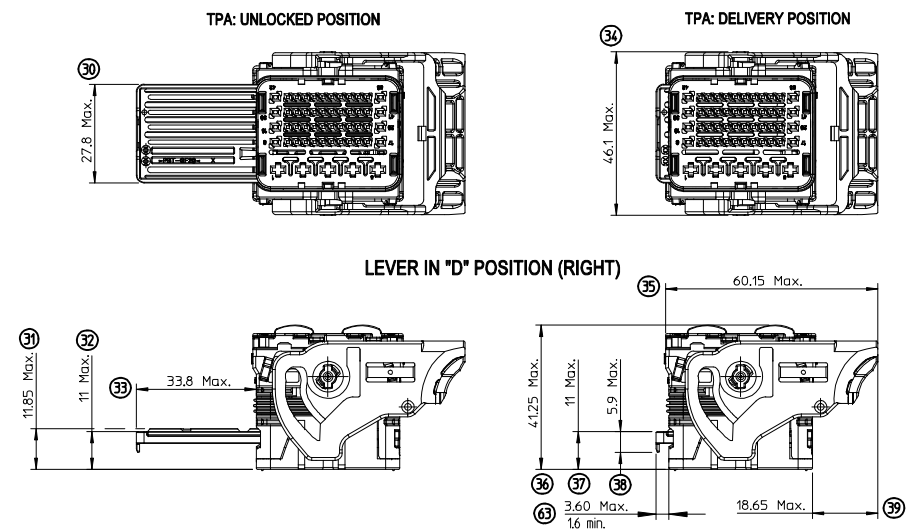
**CODINGS**

**FEMALE HOUSING WITH THE LEVER ON "D" (RIGHT) POSITION.**



COLOR	CODING	A <sup>0</sup> <sub>-0.1</sub>	B <sup>0</sup> <sub>-0.1</sub>	C <sup>0</sup> <sub>-0.1</sub>	D <sup>0</sup> <sub>-0.1</sub>	E <sup>+0.1</sup> <sub>0</sub>
BLACK	1	8.4	4.8	8.4	4.8	1.8
GREY	2	8.4	6.6	6.6	6.6	1.8
BROWN	3	8.4	8.4	4.8	10.2	1.8

**MODULE OVERALL DIMENSIONS:**



TERMINALS' P/N(S)						
CAVITIES N°	FEMALE TERMINALS (Section mm2)	PLATING	MOLEX P/N	WIRE SEAL	min / MAX WIRE INSULATION DIAMETER	
7 to 16 19 to 28 31 to 40 43 to 52	CP 0.6 (0.35mm2)	Tin plated	0643221019	/	Ø1.25 min. / Ø1.40 Max.	
		Gold plated	0643221229			
	CP 0.6 (0.5mm2)	Tin plated	0643221039		Ø1.40 min. / Ø1.70 Max.	
		Gold plated	0643221239			
6, 17, 18 29, 30, 41 42, 53	CP 0.6 (0.75mm2)	Tin plated	0643221029	/	Ø1.60 min. / Ø1.90 Max.	
		Gold plated	0643221219			
	CP 1.5 (0.5mm2 to 1mm2)	Tin plated	0643231029		Ø1.45 min. / Ø2.15 Max.	
		Gold plated	0643231319			
1 to 5	CP 1.5 (>1mm2 to 2mm2)	Tin plated	0643231039	/	Ø2.10 min. / Ø2.80 Max.	
		Gold plated	0643231219			
	CP 2.8 (>0.5mm2 to 1mm2)	Tin plated	0643241049		0643251162	Ø1.40 min. / Ø2.15 Max.
		Gold plated	0643241149			
1 to 5	CP 2.8 (>1mm2 to 2mm2)	Tin plated	0643241039	/	Ø2.10 min. / Ø2.80 Max.	
		Gold plated	0643241139			
	CP 2.8 (>2mm2 to 3mm2)	Tin plated	0643241029		0643251188	Ø2.65 min. / Ø3.45 Max.
		Gold plated	0643241129			
CP 2.8 (>3mm2 to 5mm2)	Tin plated	0643241019	0643251196	Ø3.40 min. / Ø4.00 Max.		
	Gold plated	0643241119				

<b>ACCORDING FPIR</b> EC NO: G2009-0092 DRAWN: G. DESBRUERES 2008/10/23 CHK'D: O. PLESSIS 2008/11/05 APPR: C. BOUJEAN 2008/11/05	DESCRIPTION GENERAL TOLERANCES (UNLESS SPECIFIED) 4 PLACES ± --- ± --- 3 PLACES ± --- ± --- 2 PLACES ± 0.05 ± --- 1 PLACE ± 0.1 ± --- ANGULAR ± 2 ° DRAFT WHERE APPLICABLE MUST REMAIN WITHIN DIMENSIONS	DIMENSION STYLE <b>MM ONLY</b>	SCALE <b>1.5:1</b>	DESIGN UNITS <b>METRIC</b>	FIRST ANGLE PROJECTION		
		DRAWN BY G. DESBRUERES 2007/09/05	DATE 2007/09/05	TITLE <b>CMC FEMALE MODULE 53W                  GENERIC SALES DRAWING</b>			
		CHECKED BY O. PLESSIS 2007/09/06	DATE 2007/09/06	MOLEX INCORPORATED			
		APPROVED BY L. STICKEIR 2007/09/07	DATE 2007/09/07	SD-64321-001			
		MATERIAL NO. SEE SHEET 1	DOCUMENT NO. SD-64321-001	SHEET NO. 2 OF 2			

THIS DRAWING CONTAINS INFORMATION THAT IS PROPRIETARY TO MOLEX INCORPORATED AND SHOULD NOT BE USED WITHOUT WRITTEN PERMISSION