

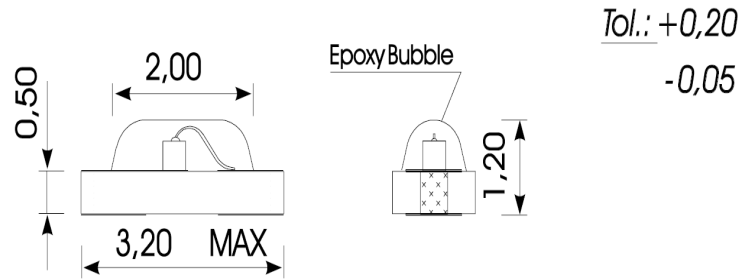
**CR 50 NR**

**Features**

Solid State Ceramic Chip  
High Power Thermal Absorption  
Superior Light Uniformity Over 180°  
End-to-End and Side-to-Side Stackable to a pitch of 1.3mm  
Solderpads conform to Mil-Std 883B  
Normal Red LED  
Red Clear Lens

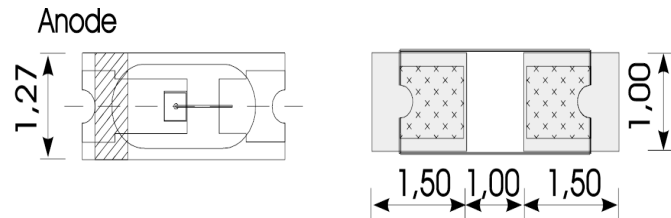
**Applications**

Ideal For Back-Light Applications  
Custom Configurations  
Standard



**Maximum Ratings (Ta=25°C)**

Characteristic	Symbol	Max.	Unit
Forward Current	I <sub>F</sub>	75	mA
Reverse Voltage	V <sub>R</sub>	70	V
Power Dissipation	P <sub>D</sub>	130.00	mW
Operating Temperature	T <sub>opr</sub>	-25 ~ +80	°C
Storage Temperature	T <sub>stg</sub>	-25 ~ +120	°C
Soldering Temperature	T <sub>sol</sub>	250	°C
Soldering Time	-	for 10 sec. max	-



**Opto-Electrical Characteristics (Ta=25°C)**

Characteristic	Symbol	Test Condition	Min	Typ	Max	Unit
Forward Voltage	V <sub>F</sub>	I <sub>F</sub> =20mA	-	2.10	2.40	V
Reverse Current	I <sub>R</sub>	V <sub>R</sub> =5V	-	-	100	μA
Luminous Intensity	I <sub>v</sub>	I <sub>F</sub> =20mA	2.20	5.60	-	mcd
Viewing Angle	2θ <sup>1/2</sup>	-	-	180°	-	deg.
Peak Wavelength	λ <sub>p</sub>	I <sub>F</sub> =20mA	-	660	-	nm
Dominant Wavelength	λ <sub>d</sub>	I <sub>F</sub> =20mA	-	643	-	nm
Spectral Line Half Width	Δλ	I <sub>F</sub> =20mA	-	35	-	nm

Specifications are Subject to Change Without Notice

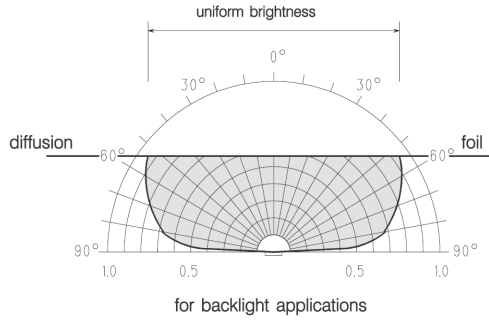
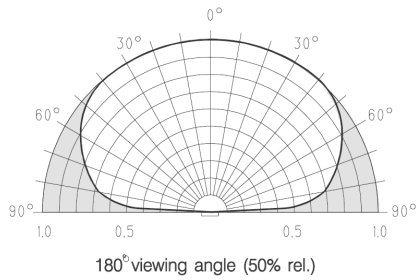
**Company Headquarters**  
120 Broadway  
Menands, New York 12204  
Toll Free: 800.984.5337  
Fax: 518.432.7454



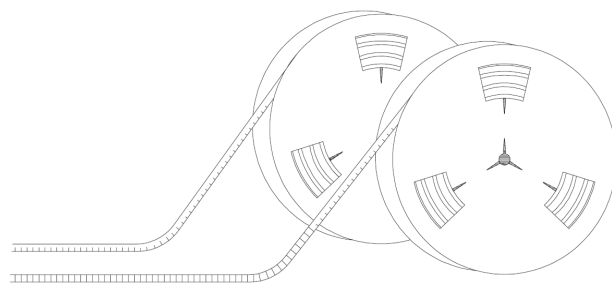
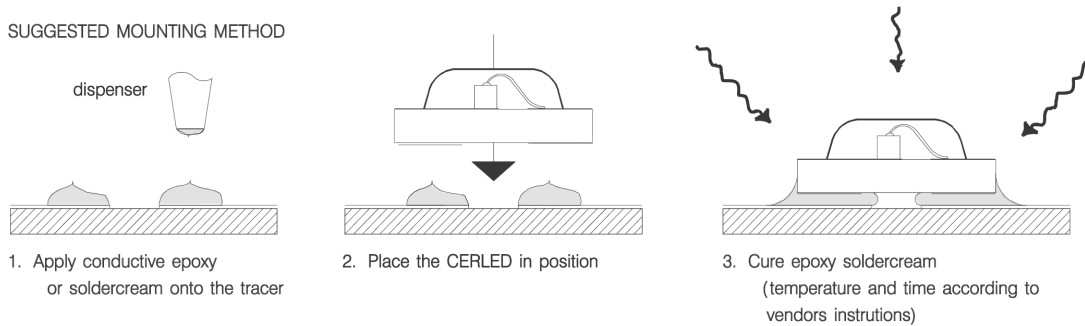
Web: [www.marktechopto.com](http://www.marktechopto.com) | Email: [info@marktechopto.com](mailto:info@marktechopto.com)

**West Coast Sales Office**  
950 South Coast Drive, Suite 265  
Costa Mesa, California 92626  
Toll Free: 800.984.5337  
Fax: 714.850.9314

**CR 50 NR Graphs**

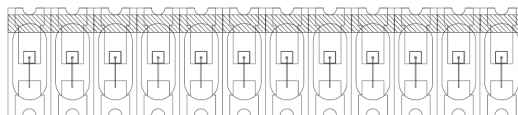


**SUGGESTED MOUNTING METHOD**



Special Packing:  
standard 8mm blister tape

**ARRAYS**



code to order strips:  
CR50 XX - 10  
No of LEDs

Available in strips up to 12 CERLEDs with a max. pitch tolerance in spacing and linearity of  $\pm 0,01$  mm between chip centers.

**Company Headquarters**  
120 Broadway  
Menands, New York 12204  
Toll Free: 800.984.5337  
Fax: 518.432.7454



Web: [www.marktechopto.com](http://www.marktechopto.com) | Email: [info@marktechopto.com](mailto:info@marktechopto.com)

**West Coast Sales Office**  
950 South Coast Drive, Suite 265  
Costa Mesa, California 92626  
Toll Free: 800.984.5337  
Fax: 714.850.9314