

PLEASE CHECK WWW.MOLEX.COM FOR LATEST PART INFORMATION

Part Number: [0877822005](#)
Status: **Active**
Description: 0.60mm (.024") Pitch miniDIMM DDR2 Socket, Vertical, SMT, 0.76µm (30µ") Gold (Au) over Nickel, 1.8V, with Pick and Place Cover, 244 Circuits, Type A Tray, Lead free

Documents:

[3D Model](#) [Product Specification PS-87782-027 \(PDF\)](#)
[Drawing \(PDF\)](#) [RoHS Certificate of Compliance \(PDF\)](#)

General

Product Family	Memory Module Sockets
Series	87782
Comments	Latches in Off-White ColorWith Cap
Component Type	Socket
JEDEC Outline	MO-244
Product Name	MiniDIMM

Physical

Circuits (Loaded)	244
Color - Resin	Black
Durability (mating cycles max)	25
Entry Angle	Vertical (Top Entry)
Keying to Mating Part	Yes
Material - Metal	Copper Alloy
Material - Plating Mating	Gold
Material - Plating Termination	Tin
Material - Resin	High Temperature Thermoplastic
PCB Locator	Yes
PCB Retention	Yes
Packaging Type	Tray
Pitch - Mating Interface (in)	0.024 In
Pitch - Mating Interface (mm)	0.60 mm
Pitch - Term. Interface (in)	0.024 In
Pitch - Term. Interface (mm)	0.60 mm
Plating min: Mating (µin)	30
Plating min: Mating (µm)	0.76
Plating min: Termination (µin)	100
Plating min: Termination (µm)	2.54
Temperature Range - Operating	-55°C to +85°C
Termination Interface: Style	Surface Mount

Electrical

Current - Maximum per Contact	1A
Voltage - Maximum	30V (RMS)
Voltage Key	1.8V

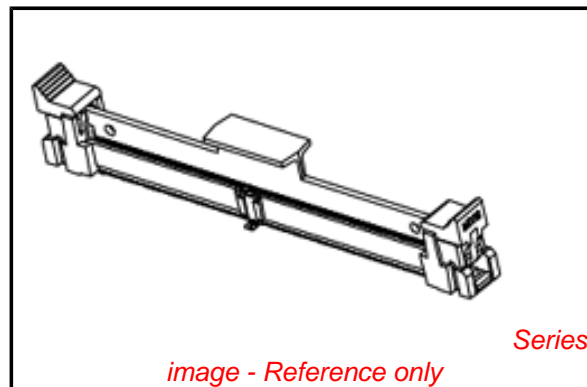
Solder Process Data

Duration at Max. Process Temperature (seconds)	5
Lead-free Process Capability	SMC & Wave Capable (TH only)
Max. Cycles at Max. Process Temperature	2
Process Temperature max. C	260

Material Info

Reference - Drawing Numbers

Product Specification	PS-87782-027
Sales Drawing	SD-87782-001



EU RoHS

ELV and RoHS Compliant
REACH SVHC
 Not Reviewed
Halogen-Free
Status
Not Reviewed

China RoHS



Need more information on product environmental compliance?

Email productcompliance@molex.com
 For a multiple part number RoHS Certificate of Compliance, [click here](#)

Please visit the [Contact Us](#) section for any non-product compliance questions.

Search Parts in this Series

[87782Series](#)

Mates With

JEDEC MO-244 Modules

This document was generated on 04/09/2010

PLEASE CHECK WWW.MOLEX.COM FOR LATEST PART INFORMATION

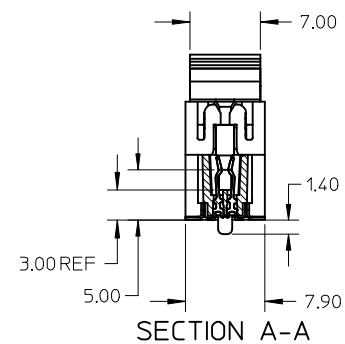
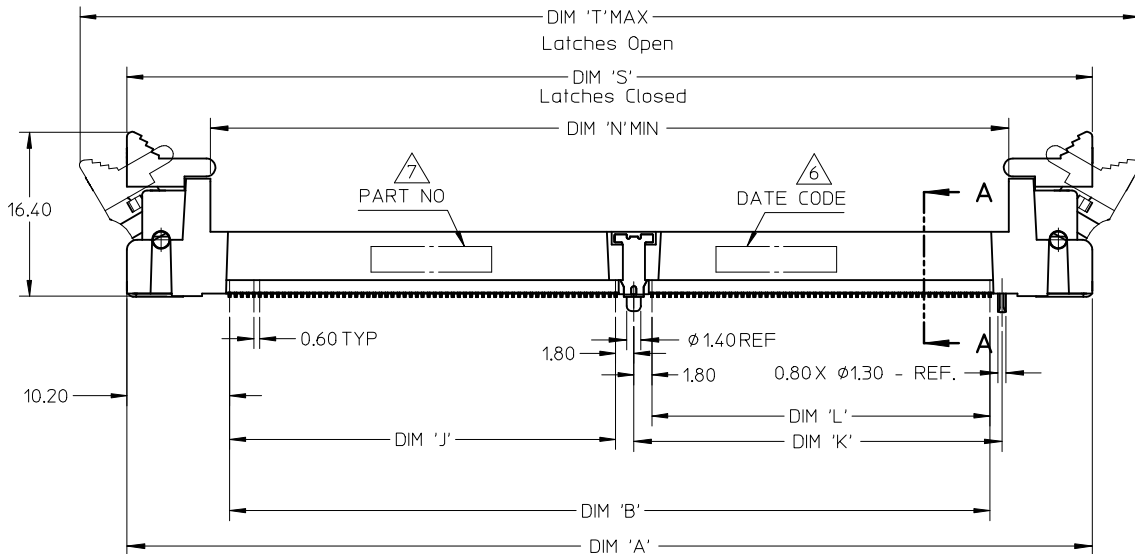
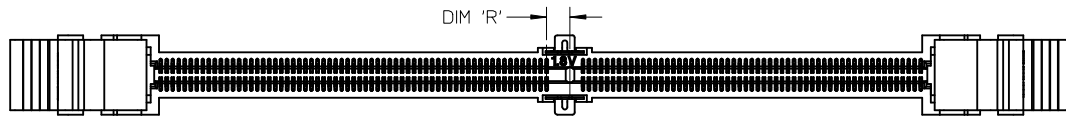
NOTES :

1. MATERIAL :
 HOUSING : LIQUID CRYSTAL POLYMER, GLASS FILLED,
 UL 94V-0, COLOUR : BLACK
 CONTACTS : COPPER ALLOY
 LATCHES : HIGH TEMPERATURE NYLON, UL 94V-0
 COLOUR : NATURAL (OFF-WHITE)

2. FINISH
 CONTACT AREA : 0.76 MICROMETER (30 MICROINCH) MIN GOLD OVER
 1.25 MICROMETER (50 MICROINCH) MIN NICKEL
 SMT TAIL : 2.54 MICROMETER (100 MICROINCH) MIN TIN OVER
 1.25 MICROMETER (50 MICROINCH) MIN NICKEL.
 3. ACCEPTS 1.0 mm THICK MEMORY MODULE PER JEDEC MO-244
 FOR 244 CKTS AND MO-258 FOR 200 CKTS.
 4. PRODUCT SPECIFICATION : PS-87782-027
 5. PRODUCT SHALL BE PACKED IN TRAY. PLS REFER TO SHEET 5

6. DATE CODE SHALL BE MARKED LEGIBLY AS SHOWN : YYDD

7. PART NUMBER SHALL BE MARKED LEGIBLY AS SHOWN.
 87782-XXXX (REFER TO TABLE)



NEW COVER EC NO: S2010-0004 DRWN: TARUNUGHAM 2009/08/12 CHKD: CGTAN 2009/08/12 APPR: SILENI 2009/08/17	DESCRIPTION DIMM	QUALITY SYMBOLS ▽=0 ◻=0	GENERAL TOLERANCES (UNLESS SPECIFIED)		DIMENSION STYLE MM ONLY		SCALE	DESIGN UNITS	THIRD ANGLE PROJECTION	
				mm	INCH	NTS	METRIC	TITLE		
			4 PLACES	± ---	± ---	MLONG	DATE	MINI DIMM, 0.60MM PITCH		
			3 PLACES	± ---	± ---	CHECKED BY	DATE	200/244 CKTS, VERTICAL		
	2 PLACES	± 0.13	± ---	PTL IM	DATE	MOLEX INCORPORATED				
	1 PLACE	± 0.25	± ---	APPROVED BY	DATE	DOCUMENT NO.				
	ANGULAR ± 1 °		SKTOH	DATE	SD-87782-001					
DRAFT WHERE APPLICABLE MUST REMAIN WITHIN DIMENSIONS			MATERIAL NO.		SEE TABLE		SHEET NO.			
			SIZE		THIS DRAWING CONTAINS INFORMATION THAT IS PROPRIETARY TO MOLEX INCORPORATED AND SHOULD NOT BE USED WITHOUT WRITTEN PERMISSION		1 OF 6			

10 9 8 7 6 5 4 3 2 1

F

E

D

C

B

A

F

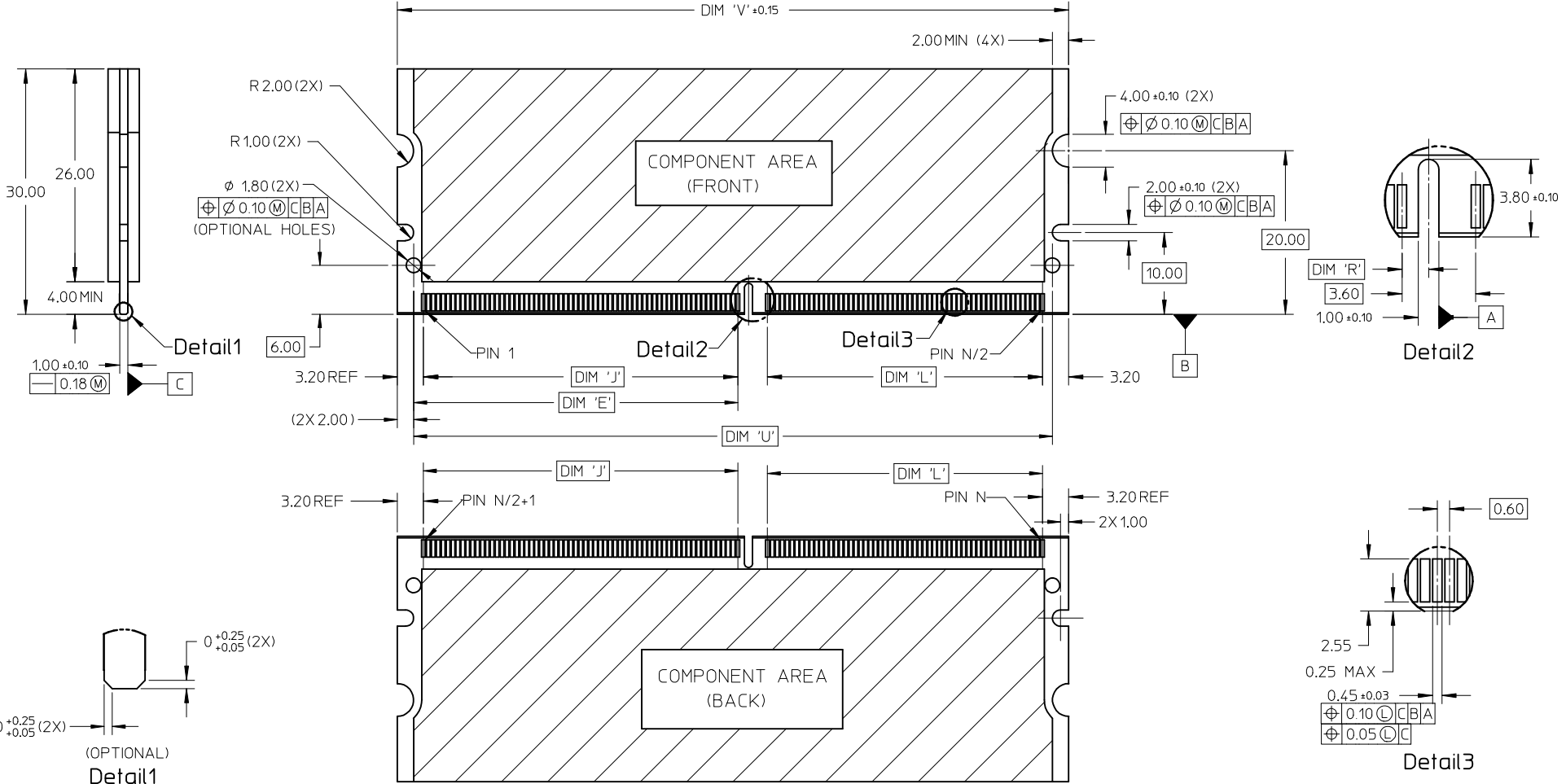
E

D

C

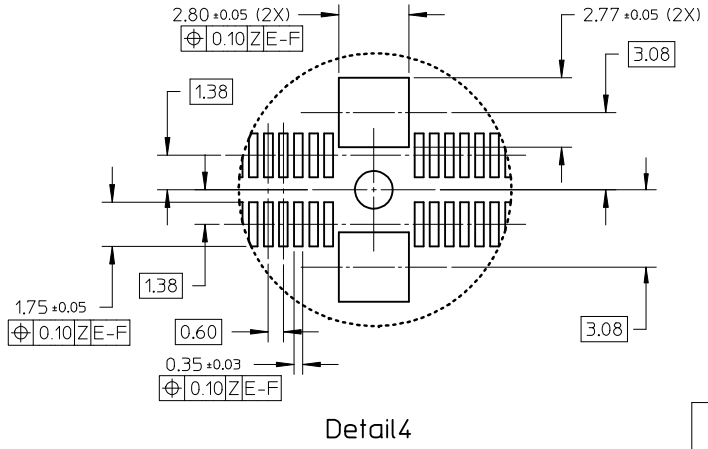
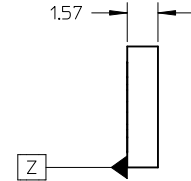
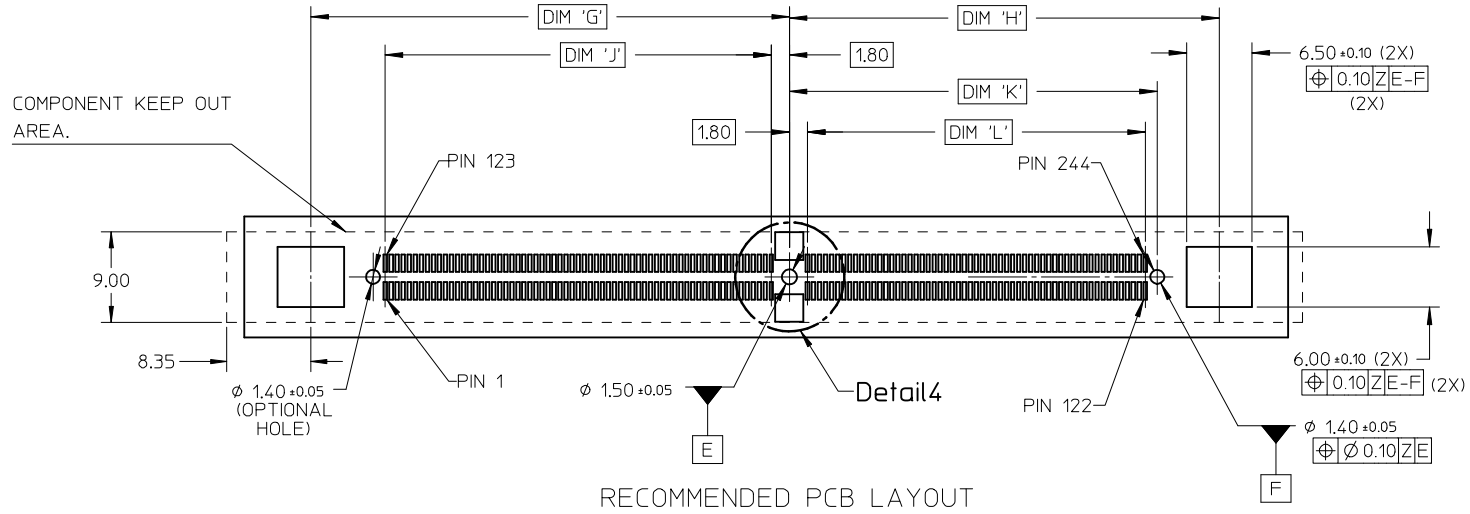
B

A



NEW COVER EC NO: S2010-0004 DRWN: TARUUGHAM 2009/08/12 CHKD: CGTAN 2009/08/12 APPR: SILENI 2009/08/17	QUALITY SYMBOLS ▽=0 ◻=0	GENERAL TOLERANCES (UNLESS SPECIFIED) <table border="1"> <thead> <tr> <th></th> <th>mm</th> <th>INCH</th> </tr> </thead> <tbody> <tr> <td>4 PLACES</td> <td>± ---</td> <td>± ---</td> </tr> <tr> <td>3 PLACES</td> <td>± ---</td> <td>± ---</td> </tr> <tr> <td>2 PLACES</td> <td>± 0.13</td> <td>± ---</td> </tr> <tr> <td>1 PLACE</td> <td>± 0.25</td> <td>± ---</td> </tr> </tbody> </table>		mm	INCH	4 PLACES	± ---	± ---	3 PLACES	± ---	± ---	2 PLACES	± 0.13	± ---	1 PLACE	± 0.25	± ---	DIMENSION STYLE MM ONLY	SCALE NTS	DESIGN UNITS METRIC	THIRD ANGLE PROJECTION
		mm	INCH																		
	4 PLACES	± ---	± ---																		
	3 PLACES	± ---	± ---																		
2 PLACES	± 0.13	± ---																			
1 PLACE	± 0.25	± ---																			
DESCRIPTION DRAWN: TARUUGHAM 2009/08/12 CHKD: CGTAN 2009/08/12 APPR: SILENI 2009/08/17	DRAFT WHERE APPLICABLE MUST REMAIN WITHIN DIMENSIONS	DRAWN BY MLONG	DATE 2003/01/07	TITLE MINI DIMM, 0.60MM PITCH 200/244 CKTS, VERTICAL																	
REV	ANGULAR ± 1 °	CHECKED BY PTLIM	DATE 2003/07/16	MOLEX MOLEX INCORPORATED																	
MATERIAL NO.	SEE TABLE	APPROVED BY SKTOH	DATE 2003/07/17	DOCUMENT NO. SD-87782-001	SHEET NO. 2 OF 6																

9 8 7 6 5 4 3 2 1



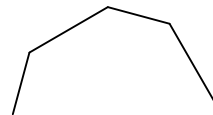
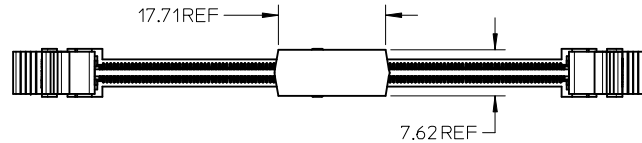
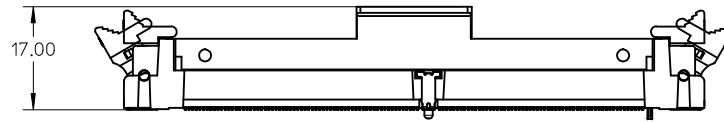
RECOMMENDED PCB LAYOUT

Detail4

NEW COVER EC NO: S2010-0004 DRWN: TARUMUGHAM 2009/08/12 CHKD: CGTAN 2009/08/12 APPR: SILENI 2009/08/17	QUALITY SYMBOLS ▽=0 Ⓢ=0	GENERAL TOLERANCES (UNLESS SPECIFIED) mm INCH 4 PLACES ± --- ± --- 3 PLACES ± --- ± --- 2 PLACES ± 0.13 ± --- 1 PLACE ± 0.25 ± --- ANGULAR ± 1 °	DIMENSION STYLE MM ONLY DRAWN BY DATE MLONG 2003/01/07 CHECKED BY DATE PTLIM 2003/07/16 APPROVED BY DATE SKTOH 2003/07/17 MATERIAL NO.	SCALE NTS DESIGN UNITS METRIC THIRD ANGLE PROJECTION	TITLE MINI DIMM, 0.60MM PITCH 200/244 CKTS, VERTICAL	MOLEX INCORPORATED DOCUMENT NO. SD-87782-001 SHEET NO. 3 OF 6
	DRAFT WHERE APPLICABLE MUST REMAIN WITHIN DIMENSIONS		SEE TABLE	THIS DRAWING CONTAINS INFORMATION THAT IS PROPRIETARY TO MOLEX INCORPORATED AND SHOULD NOT BE USED WITHOUT WRITTEN PERMISSION		
	SIZE A3					
	REV DESCRIPTION					

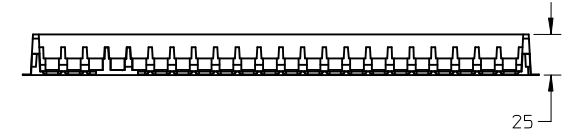
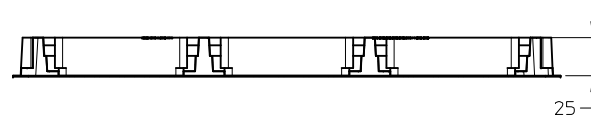
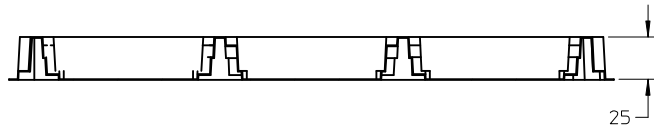
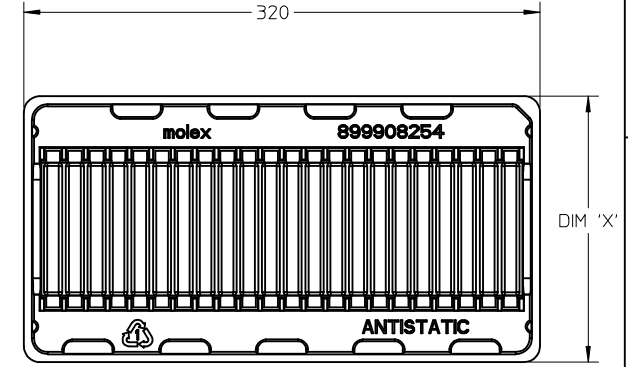
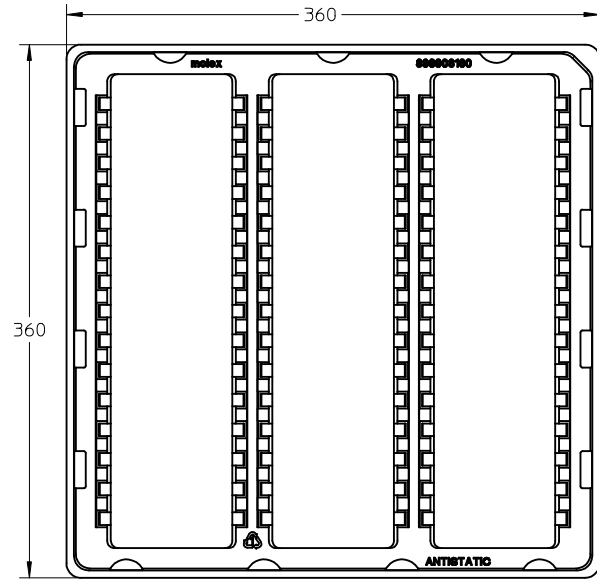
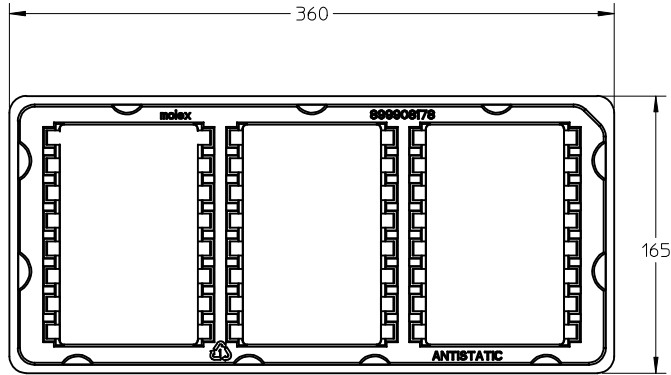
10 9 8 7 6 5 4 3 2 1

FOR OPTIONS WITH COVER



NEW COVER EC NO: S2010-0004 DRWN: TARUMUGHAM 2009/08/12 CHKD: CGTAN 2009/08/12 APPR: SHLENI 2009/08/17	QUALITY SYMBOLS ▽=0 ◻=0	GENERAL TOLERANCES (UNLESS SPECIFIED) <table border="1"> <thead> <tr> <th></th> <th>mm</th> <th>INCH</th> </tr> </thead> <tbody> <tr> <td>4 PLACES</td> <td>± ---</td> <td>± ---</td> </tr> <tr> <td>3 PLACES</td> <td>± ---</td> <td>± ---</td> </tr> <tr> <td>2 PLACES</td> <td>± 0.13</td> <td>± ---</td> </tr> <tr> <td>1 PLACE</td> <td>± 0.25</td> <td>± ---</td> </tr> </tbody> </table>		mm	INCH	4 PLACES	± ---	± ---	3 PLACES	± ---	± ---	2 PLACES	± 0.13	± ---	1 PLACE	± 0.25	± ---	DIMENSION STYLE MM ONLY	SCALE NTS	DESIGN UNITS METRIC	THIRD ANGLE PROJECTION
		mm	INCH																		
	4 PLACES	± ---	± ---																		
	3 PLACES	± ---	± ---																		
2 PLACES	± 0.13	± ---																			
1 PLACE	± 0.25	± ---																			
DESCRIPTION SKTOH	DRAWN BY MLONG	DATE 2003/01/07	TITLE MINI DIMM, 0.60MM PITCH 200/244 CKTS, VERTICAL	MOLEX INCORPORATED																	
MATERIAL NO.	CHECKED BY PTLIM	DATE 2003/07/16	APPROVED BY SKTOH	DATE 2003/07/17	DOCUMENT NO. SD-87782-001	SHEET NO. 4 OF 6															
DRAFT WHERE APPLICABLE MUST REMAIN WITHIN DIMENSIONS	SIZE A3	THIS DRAWING CONTAINS INFORMATION THAT IS PROPRIETARY TO MOLEX INCORPORATED AND SHOULD NOT BE USED WITHOUT WRITTEN PERMISSION																			

9 8 7 6 5 4 3 2 1



TRAY TYPE A
 QTY OF CAVITY: 3 X 8 = 24 PCS
 COLOUR: TRANSPARENT

TRAY TYPE B
 QTY OF CAVITY: 3 X 15 = 45 PCS
 COLOUR: TRANSPARENT

TRAY TYPE AND COLOUR - SEE TABLE
 QTY OF CAVITY: 1 X 22 = 22 PCS
 COLOUR - SEE TABLE

TRAY TYPE	DIM 'X'	TRAY COLOUR
C	165	TRANSPARENT
D	160	WHITE

NEW COVER EC NO: S2010-0004 DRWN: TARUMUGHAM 2009/08/12 CHKD: CGTAN 2009/08/12 APPR: SHLENI 2009/08/17	QUALITY SYMBOLS	GENERAL TOLERANCES (UNLESS SPECIFIED)	DIMENSION STYLE	SCALE	DESIGN UNITS	THIRD ANGLE PROJECTION															
	$\nabla=0$ $\nabla C=0$	<table border="1"> <tr> <th></th> <th>mm</th> <th>INCH</th> </tr> <tr> <td>4 PLACES</td> <td>± ---</td> <td>± ---</td> </tr> <tr> <td>3 PLACES</td> <td>± ---</td> <td>± ---</td> </tr> <tr> <td>2 PLACES</td> <td>± 0.13</td> <td>± ---</td> </tr> <tr> <td>1 PLACE</td> <td>± 0.25</td> <td>± ---</td> </tr> </table>		mm	INCH	4 PLACES	± ---	± ---	3 PLACES	± ---	± ---	2 PLACES	± 0.13	± ---	1 PLACE	± 0.25	± ---	MM ONLY	NTS	METRIC	
		mm	INCH																		
	4 PLACES	± ---	± ---																		
3 PLACES	± ---	± ---																			
2 PLACES	± 0.13	± ---																			
1 PLACE	± 0.25	± ---																			
DESCRIPTION	ANGULAR ± 1 °	DRAWN BY: MLONG CHECKED BY: PTLIM APPROVED BY: SKTOH	DATE: 2003/01/07 DATE: 2003/07/16 DATE: 2003/07/17	TITLE: MINI DIMM, 0.60MM PITCH 200/244 CKTS, VERTICAL																	
REV	DRAFT WHERE APPLICABLE MUST REMAIN WITHIN DIMENSIONS	SIZE: A3	SEE TABLE	MOLEX INCORPORATED		SHEET NO. 5 OF 6															
			THIS DRAWING CONTAINS INFORMATION THAT IS PROPRIETARY TO MOLEX INCORPORATED AND SHOULD NOT BE USED WITHOUT WRITTEN PERMISSION																		

	10	9	8	7	6	5	4	3	2	1									
CKT SIZE 'N'	PART NUMBER	MODULE CARD	VOLTAGE KEY	DIM 'R'	DIM 'J'	DIM 'K'	DIM 'L'	DIM 'N'	DIM 'A'	DIM 'S'	DIM 'T'	DIM 'E'	DIM 'U'	DIM 'V'	DIM 'G'	DIM 'H'	DIM 'B'	COVER	TRAY
244	87782-2001	DDR2	1.8 V	1.30	38.40	36.60	33.60	79.00	96.0	96.0	106.20	39.60	78.00	82.00	47.60	42.75	75.60	NIL	TYPE A
244	87782-2003	DDR2	1.8 V	1.30	38.40	36.60	33.60	79.00	96.0	96.0	106.20	39.60	78.00	82.00	47.60	42.75	75.60	YES	TYPE B
	87782-3003	DDR3	1.5 V	2.30														YES	TYPE B
244	87782-2005	DDR2	1.8 V	1.30	38.40	36.60	33.60	79.00	96.0	96.0	106.20	39.60	78.00	82.00	47.60	42.75	75.60	YES	TYPE A
	87782-3005	DDR3	1.5 V	2.30														YES	TYPE A
244	87782-2007	DDR2	1.8 V	1.30	38.40	36.60	33.60	79.00	96.0	96.0	106.20	39.60	78.00	82.00	47.60	42.75	75.60	YES	TYPE C
	87782-3007	DDR3	1.5 V	2.30														YES	TYPE C
244	87782-2009	DDR2	1.8 V	1.30	38.40	36.60	33.60	79.00	96.0	96.0	106.20	39.60	78.00	82.00	47.60	42.75	75.60	YES	TYPE D
	87782-3009	DDR3	1.5 V	2.30														YES	TYPE D
200	87782-2201	DDR2	1.8 V	1.30	23.40	38.40	35.40	65.80	82.8	82.8	93.00	24.60	64.80	68.80	32.60	44.55	62.40	NIL	TYPE A
	87782-2202	DDR	2.5 V	2.30														NIL	TYPE A
200	87782-2203	DDR2	1.8 V	1.30	23.40	38.40	35.40	65.80	82.8	82.8	93.00	24.60	64.80	68.80	32.60	44.55	62.40	YES	TYPE A
	87782-2204	DDR	2.5 V	2.30														YES	TYPE A

NEW COVER EC NO: S2010-0004 TDRWN: TARUMUGHAM 2009/08/12 CHKD: CGTAN 2009/08/12 APPR: SHLENI 2009/08/17	DESCRIPTION REV	QUALITY SYMBOLS	GENERAL TOLERANCES (UNLESS SPECIFIED)	DIMENSION STYLE	SCALE	DESIGN UNITS	THIRD ANGLE PROJECTION
		$\nabla = 0$ $\square = 0$	mm INCH	MM ONLY	NTS	METRIC	
			4 PLACES ± --- ± ---	DRAWN BY DATE	TITLE		
			3 PLACES ± --- ± ---	MLONG 2003/01/07	MINI DIMM, 0.60MM PITCH 200/244 CKTS, VERTICAL		
	2 PLACES ± 0.13 ± ---	CHECKED BY DATE	MOLEX INCORPORATED				
	1 PLACE ± 0.25 ± ---	PTL IM 2003/07/16	SD-87782-001				
	ANGULAR ± 1 °	APPROVED BY DATE	SHEET NO. 6 OF 6				
		SKTOH 2003/07/17	DOCUMENT NO.				
		MATERIAL NO.	SEE TABLE				
			THIS DRAWING CONTAINS INFORMATION THAT IS PROPRIETARY TO MOLEX INCORPORATED AND SHOULD NOT BE USED WITHOUT WRITTEN PERMISSION				