

FIBRE MANAGEMENT AT PCB LEVEL

WS-SE-A

Wire Saddle Side Entry

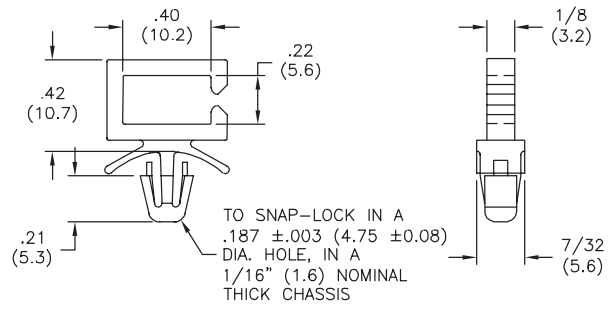
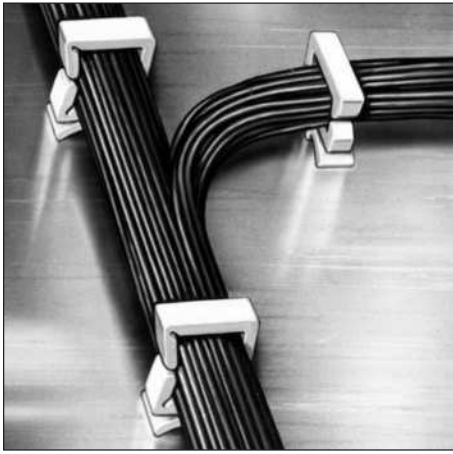


Fig. 1

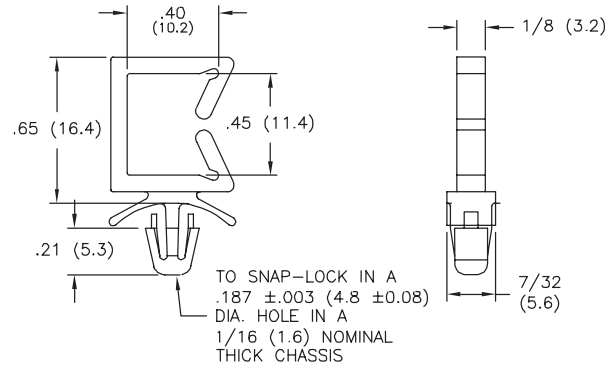
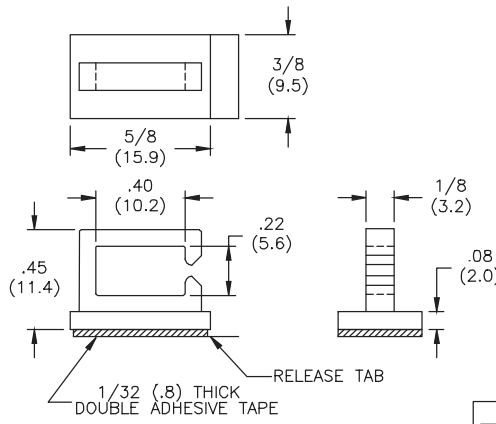
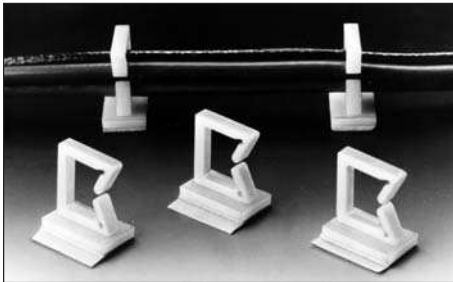


Fig. 2

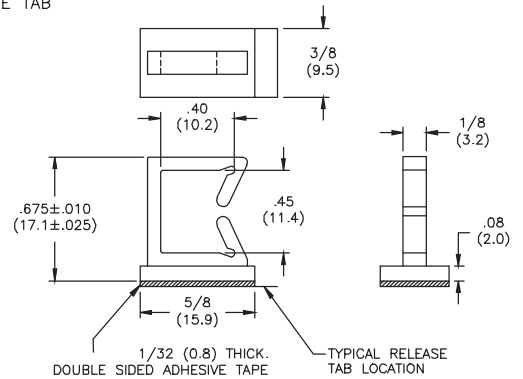
Colour: Natural		Part No.	Standard Pack: 1000
Material: Nylon 6/6, RMS-01	Material: Flame Retardant Nylon, RMS-19		Figure
WS-SE-A-1-01	WS-SE-A-1-19		1
WS-SE-A-2-01	WS-SE-A-2-19		2

WS-SE-B

Wire Saddle Side Entry On Base



WS-SE-B-1-01A-RT



WS-SE-B-2-01A-RT



• UL #E71558

Material: Nylon 6/6, RMS-01 • Adhesive Back: RMS-15 • Colour: Natural
Standard Pack: 1000 per bag
Flame Retardant Nylon, RMS-19 available by special order. To order replace -01 with -19.