

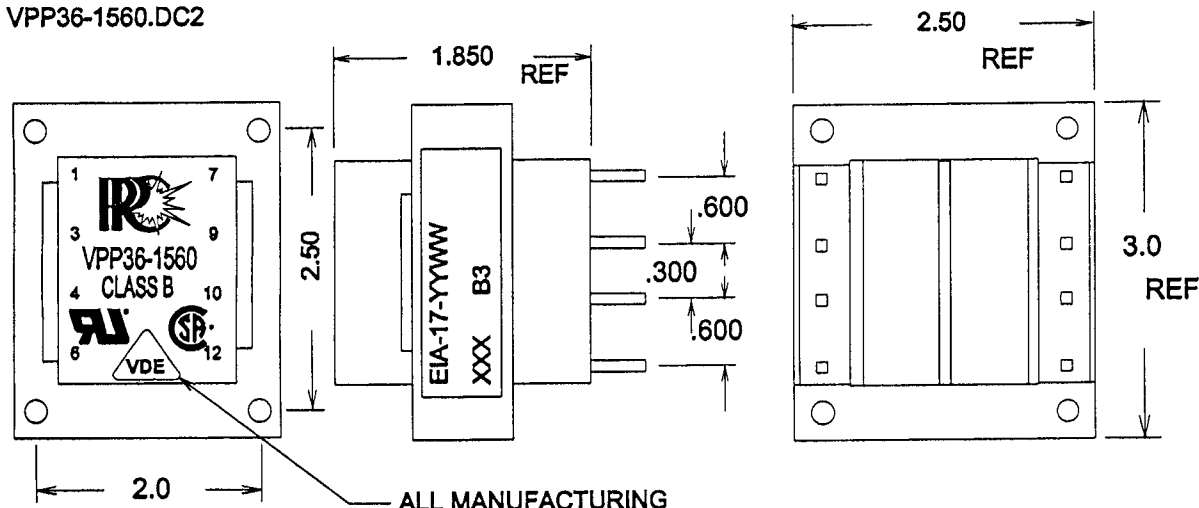
TOLERANCE UNLESS SPECIFIED =

.XXX= +/- .005

.XX= +/- .015

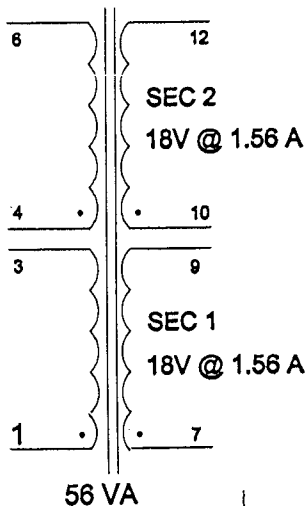
FRACTIONS= +/- .032

VPP36-1560.DC2

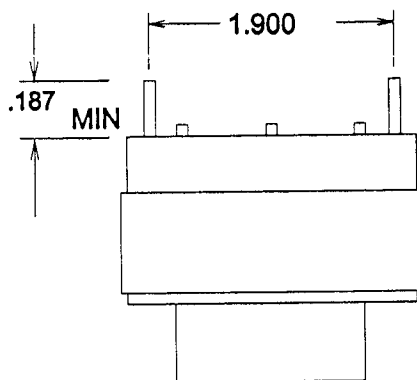


ALL MANUFACTURING SITES USE THIS MARK

115/230V  
50/60 HZ



PC PINS .045 SQ



# PRODUCTION TESTS

URNS RATIO = 100%

DC RESISTANCE IN OHMS	1-3 =	21.5 NOM
	4-6 =	26.5 NOM
	7-9 =	.78 NOM
	10-12 =	.95 NOM

MAX EXCITATION CURRENT = 75 MA

APPLY 230V 60HZ 1-6 (3+4)

PRI WDGS 114.5 TO 115.5 V

SEC WDGS 20.7 TO 21.6 V

HIPOT: 4000V P-S  
4000V P,S, TO CORE  
500V P-P, S-S

IMPREGNATION NOTES: PREHEAT 2 HRS  
PINS TO BE FREE OF IMPREGNATION.

## FINAL ASSEMBLY NOTES

METHOD 1 X 1  
LEAVE OFF LAST "I" PCS

MARKING SEE LABEL DETAIL ABOVE  
APPLY PART NO. LABEL, AFTER IMPREGNATION

 PART NO. : VPP36-1560.