

**PLEASE CHECK WWW.MOLEX.COM FOR LATEST PART INFORMATION**

**Part Number:** [0475968823](#)  
**Status:** **Active**  
**Description:** LGA 1156 Back-plate Assembly for 1U Server, without Screws, Lead-free, Halogen-free

**Documents:**

[Drawing \(PDF\)](#) [RoHS Certificate of Compliance \(PDF\)](#)  
[Product Specification PS-47596-001 \(PDF\)](#)

**General**

Product Family	Processor Sockets
Series	47596
Component Type	Back Plate Assembly
Product Name	LGA1156

**Physical**

Circuits (Loaded)	N/A
Durability (mating cycles max)	20
Material - Metal	Steel
Material - Plating Mating	Nickel
Packaging Type	Tray
Pitch - Mating Interface (in)	0.000 In
Pitch - Mating Interface (mm)	0.00 mm
Temperature Range - Operating	-25°C to +100°C
Termination Interface: Style	Screw or Lug

**Electrical**

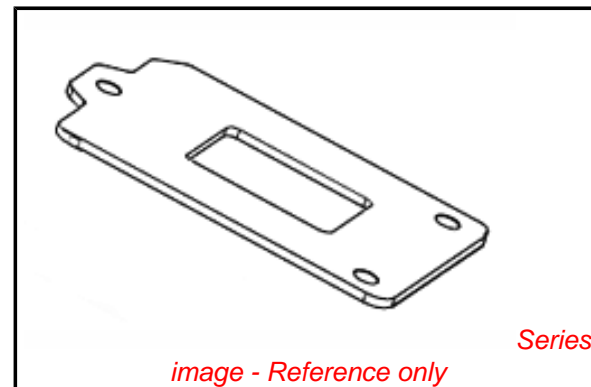
Current - Maximum per Contact	N/A
Voltage - Maximum	N/A

**Material Info**

**Reference - Drawing Numbers**

Packaging Specification	PK-47596-004
Product Specification	PS-47596-001
Sales Drawing	SD-47596-104

Intel and Nehalem and relevant names are either trademarks or registered trademarks of Intel Corporation



**EU RoHS**

**ELV and RoHS  
Compliant**  
**REACH SVHC**  
 Not Reviewed  
**Halogen-Free  
Status**

**China RoHS**



**Need more information on product  
environmental compliance?**

Email [productcompliance@molex.com](mailto:productcompliance@molex.com)  
 For a multiple part number RoHS Certificate of Compliance, [click here](#)

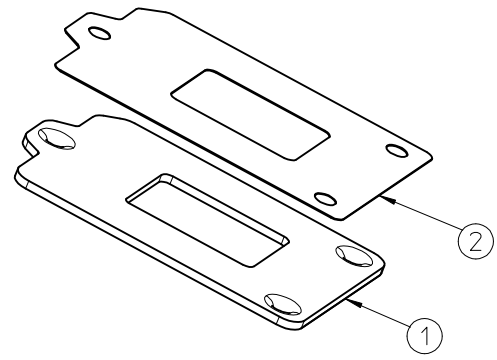
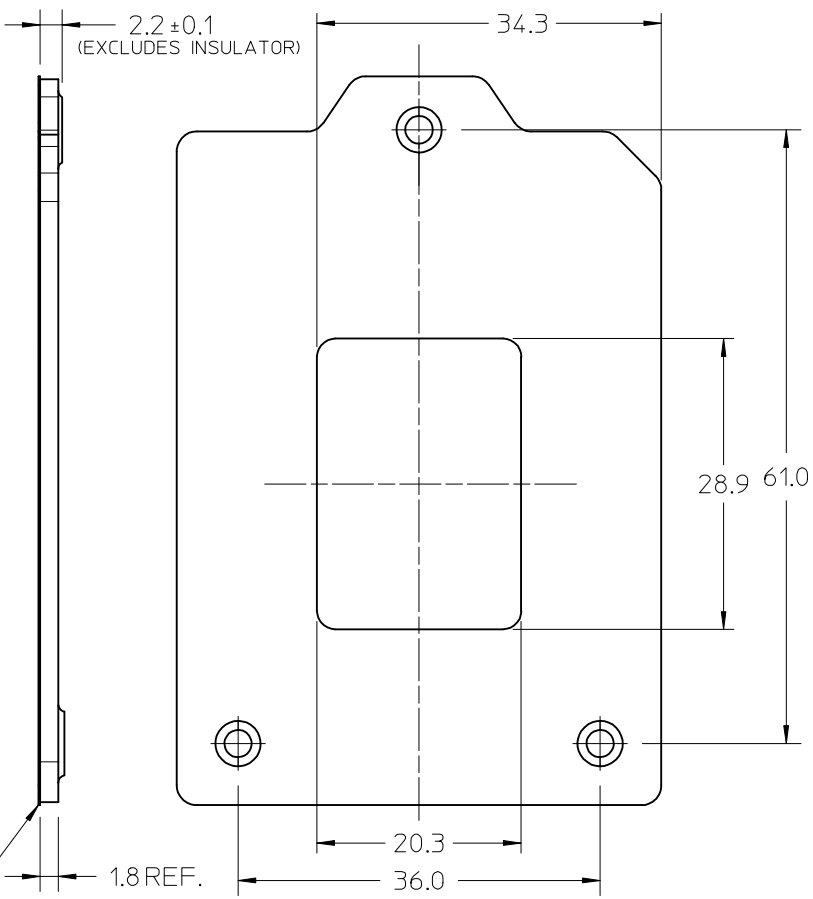
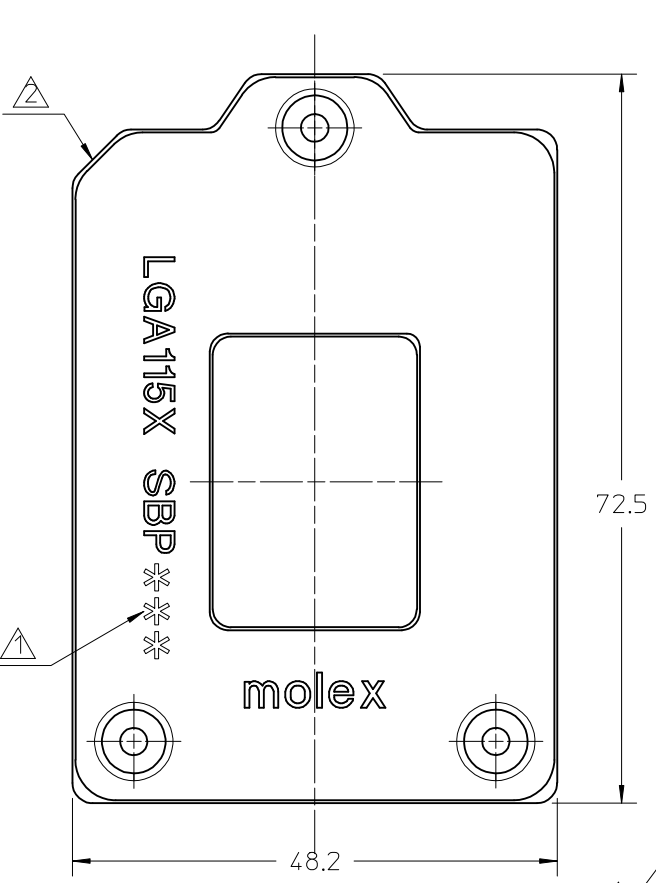
Please visit the [Contact Us](#) section for any non-product compliance questions.

**Search Parts in this Series**  
[47596Series](#)

**Mates With**  
 Intel\* Nehalem Processor

10 9 8 7 6 5 4 3 2 1

F  
E  
D  
C  
B  
A



47596-8823	WITH HALOGEN FREE
47596-9923	WITHOUT HALOGEN FREE
PART NO.	DESCRIPTION

ITEM NO	QTY	DESCRIPTION	MATERIAL
	1	ILM BACK PLATE ASSY	
①	1	SOCKET BACKPLATE FOR 1U SERVER	STEEL WITH NICKEL PLATING
②	1	SOCKET BACKPLATE INSULATOR	POLYPROPYLENE SHEET

NOTES:

- ① DATE CODE
  - \* \* \* WORKING DAY
  - WORKING MONTH
  - WORKING YEAR
- ② INSULATOR OVERHANGS ALL EXTERNAL EDGES.
- 3. 6-32 UNC MIN. 2MM THREAD DEPTH
- 4. THE PART IS COMPLIANT TO RoHS DIRECTIVE 2002/95/EC AND ELV 2000/53/EC.

ENTER DESCRIPTION	2009/09/25	2009/10/12
EC NO: SH2010-0085	DRWN: JZHANG11	CH'KD: APPR: WFDENG
A	REV	

QUALITY SYMBOLS	$F_A=0$
	$F_B=0$
	$F_C=0$
	ANGULAR $\pm 1/2^\circ$

GENERAL TOLERANCES (UNLESS SPECIFIED)	
mm	INCH
4 PLACES $\pm$ ---	$\pm$ ---
3 PLACES $\pm$ ---	$\pm$ ---
2 PLACES $\pm 0.10$	$\pm$ ---
1 PLACE $\pm 0.15$	$\pm$ ---

DIMENSION STYLE	SCALE	DESIGN UNITS	THIRD ANGLE PROJECTION
MM ONLY	2:1	METRIC	
DRAWN BY	DATE	TITLE	
YQSUN	2008/12/15	SOCKET 115X BACK PLATE ASSEMBLY FOR 1U SERVER	
CHECKED BY	DATE		
APPROVED BY	DATE		
MATERIAL NO.	DOCUMENT NO.	SHEET NO.	
SEE TABLE	SD-47596-104	1 OF 1	
THIS DRAWING CONTAINS INFORMATION THAT IS PROPRIETARY TO MOLEX INCORPORATED AND SHOULD NOT BE USED WITHOUT WRITTEN PERMISSION			

9 8 7 6 5 4 3 2 1