

**PLEASE CHECK WWW.MOLEX.COM FOR LATEST PART INFORMATION**

**Part Number:** [0917790008](#)  
**Status:** **Active**  
**Overview:** [rast 5 connector system](#)  
**Description:** 5.00mm (.197") Appli-Mate RAST 5 IDT Housing, Indirect, Female, 16 Amp, 2 Circuit, All Position Keys, Code Key d20, Reference K34

**Documents:**

[Drawing \(PDF\)](#) [RoHS Certificate of Compliance \(PDF\)](#)  
[Product Specification PS-99020-0037 \(PDF\)](#)

**Agency Certification**

CSA LR19980  
 UL E29179

**General**

Product Family IDT and Solder Connectors  
 Series [91779](#)  
 Crimp Quality Equipment Yes  
 Overview [rast 5 connector system](#)  
 Product Name RAST 5  
 Use With RAST standard interface

**Physical**

Circuits (Loaded) 2  
 Circuits (maximum) 2  
 Color - Resin Natural (White)  
 Durability (mating cycles max) 10  
 Flammability 94V-2  
 Gender Female  
 Glow-Wire Compliant Yes  
 Lock to Mating Part Yes  
 Material - Metal Phosphor Bronze  
 Material - Plating Mating Silver  
 Material - Plating Termination Silver  
 Material - Resin Nylon  
 Number of Rows 1  
 Packaging Type Tray  
 Panel Mount No  
 Pitch - Mating Interface (in) 0.197 In  
 Pitch - Mating Interface (mm) 5.00 mm  
 Pitch - Term. Interface (in) 0.197 In  
 Pitch - Term. Interface (mm) 5.00 mm  
 Plating min: Mating (µin) 80  
 Plating min: Mating (µm) 2  
 Plating min: Termination (µin) 4  
 Plating min: Termination (µm) 0.1  
 Polarized to Mating Part Yes  
 Stackable No  
 Temperature Range - Operating -20C TO +120C  
 Termination Interface: Style IDT or Pierce  
 Wire Size AWG 22, 24

**Electrical**

Current - Maximum per Contact 16A  
 Voltage - Maximum 250V AC

**Material Info**

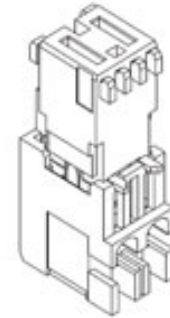


image - Reference only

Series

**EU RoHS**

**ELV and RoHS Compliant**

**REACH SVHC**

Not Reviewed

**Halogen-Free**

**Status**

**Not Halogen-Free**

**China RoHS**



**Need more information on product environmental compliance?**

Email [productcompliance@molex.com](mailto:productcompliance@molex.com)  
 For a multiple part number RoHS Certificate of Compliance, [click here](#)

Please visit the [Contact Us](#) section for any non-product compliance questions.

**Search Parts in this Series**

[91779Series](#)

**Mates With**

[90858](#) RAST Vertical Header,

**Application Tooling | FAQ**

*Tooling specifications and manuals are found by selecting the products below. Crimp Height Specifications are then contained in the Application Tooling Specification document.*

**Global**

Description	Product #
RAST 5.0 Semi-Automatic Terminator Machine for Appli-Mate™ Connector 12 and 16 AMP	<a href="#">0623006100</a>

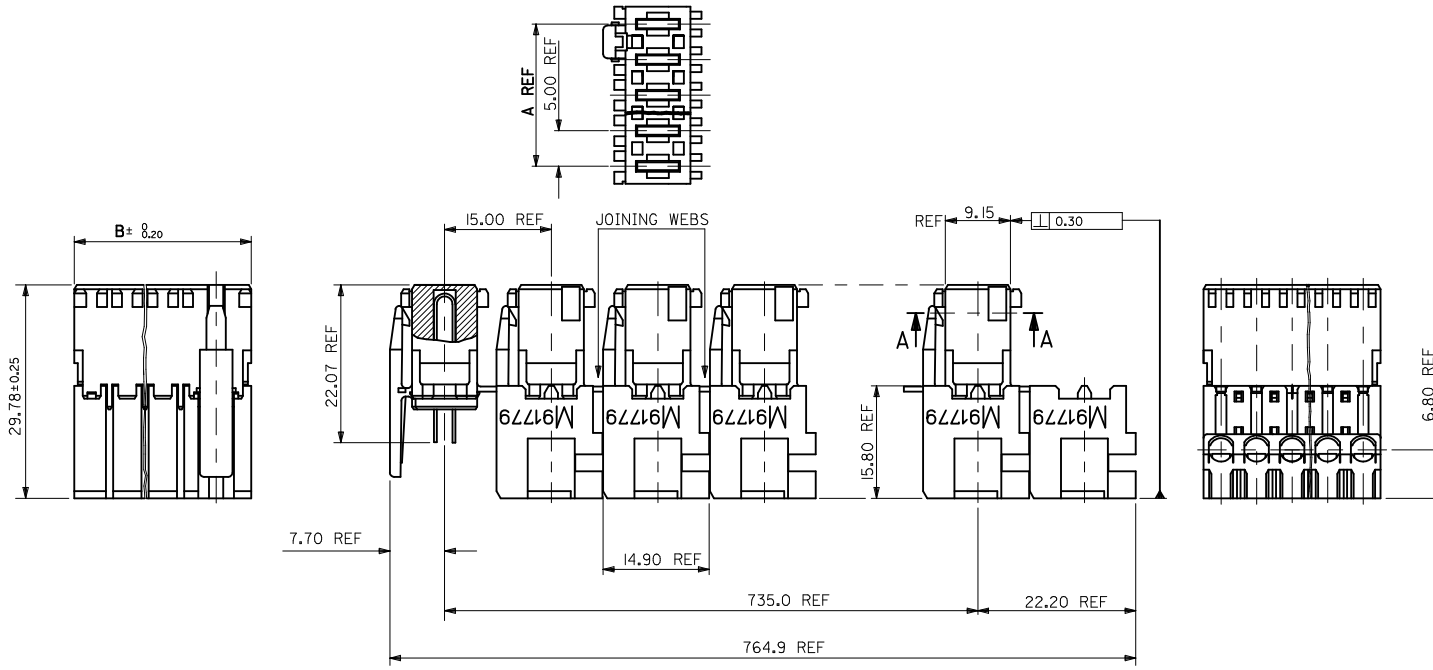
## Reference - Drawing Numbers

Application Specification  
Packaging Specification  
Product Specification  
Sales Drawing

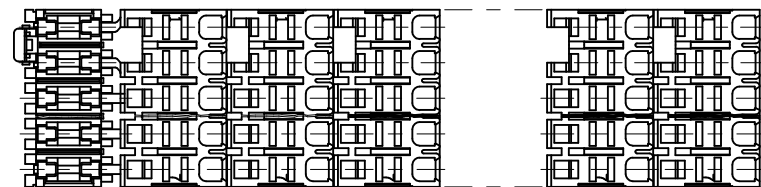
AS-99033-0004  
PK-90833-001  
PS-99020-0037  
SD-91779-001

This document was generated on 05/28/2010

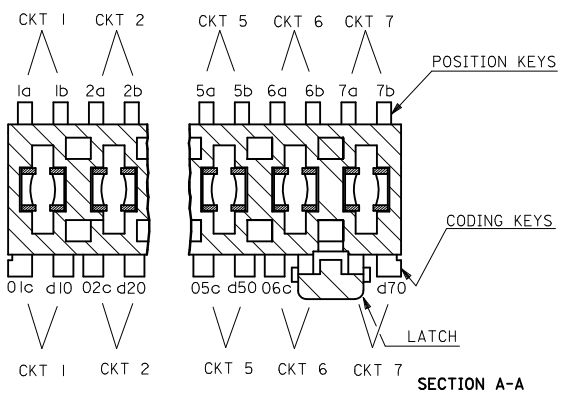
**PLEASE CHECK [WWW.MOLEX.COM](http://WWW.MOLEX.COM) FOR LATEST PART INFORMATION**



CKT SIZE	A	B
2	5.00	9.90
3	10.00	14.90
4	15.00	19.90



- NOTES:
- MATERIALS:  
HOUSING: PA 6, UL94 V-2  
COLOUR: SEE SHEET 2  
TERMINAL: PHOSPHOR BRONZE, (0.50)±.020 THICK REF  
PLATING: (2 µm)/79 µin MIN SILVER IN CONTACT AREA  
(0.10 µm)/.004 µin MIN SILVER FLASH ALLOWER
  - PRODUCT CONFORMS TO SPECIFICATION PS-99020-0037
  - ACCEPTS CABLE, PER ES-99036-0010
  - SEE SUBSEQUENT SHEETS FOR PART NUMBERS SHOWING THE VARIOUS CODING, KEYING AND LATCHING OPTIONS.
  - PACKAGING SPECIFICATION PK-90833-001
  - APPLICATION SPECIFICATION AS-99033-0004

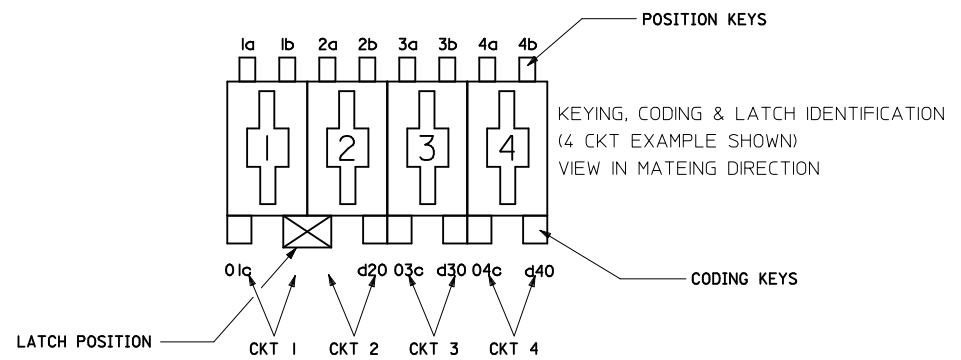


**KEYING, CODING, & LATCH IDENTIFICATION**  
(7 CKT EXAMPLE SHOWN)

NEW PN EC NO: E2010-0363 DRW:BRUTTE 2010/04/29 CHK:BMAGUIE 2005/01/07 APPR:BMAGUIE 2010/05/18	DESCRIPTION	QUALITY SYMBOLS	GENERAL TOLERANCES (UNLESS SPECIFIED)	DIMENSION STYLE	SCALE	DESIGN UNITS	THIRD ANGLE PROJECTION																	
		<p>▽=0</p> <p>▽=0</p>	<table border="1"> <thead> <tr> <th></th> <th>mm</th> <th>INCH</th> </tr> </thead> <tbody> <tr> <td>4 PLACES</td> <td>±---</td> <td>±---</td> </tr> <tr> <td>3 PLACES</td> <td>±---</td> <td>±---</td> </tr> <tr> <td>2 PLACES</td> <td>±0.05</td> <td>±---</td> </tr> <tr> <td>1 PLACE</td> <td>±0.1</td> <td>±---</td> </tr> <tr> <td colspan="3">ANGULAR ±---°</td> </tr> </tbody> </table>		mm	INCH	4 PLACES	±---	±---	3 PLACES	±---	±---	2 PLACES	±0.05	±---	1 PLACE	±0.1	±---	ANGULAR ±---°			<p>MM ONLY</p> <p>DRAWN BY: GMCSWEEN DATE: 2004/10/14</p> <p>CHECKED BY: BMAGUIE DATE: 2005/01/07</p> <p>APPROVED BY: BMAGUIE DATE: 2005/01/07</p> <p>MATERIAL NO.</p>	<p>1:1</p> <p>METRIC</p>	<p>TITLE</p> <p><b>RAST 5 INDIRECT FEMALE ASSEMBLY 16 AMPS</b></p>
	mm	INCH																						
4 PLACES	±---	±---																						
3 PLACES	±---	±---																						
2 PLACES	±0.05	±---																						
1 PLACE	±0.1	±---																						
ANGULAR ±---°																								
DRAFT WHERE APPLICABLE MUST REMAIN WITHIN DIMENSIONS		SEE FOLLOWING SHEETS		DOCUMENT NO.		SHEET NO. 1 OF 4																		

MOLEX PART NO.	CIRCUIT SIZE	COLOUR	POSITION KEYS	CODING KEYS	LATCH POSITION	CONFIGURATION	REF.	colour stripe
91779-0001	2	NATURAL	ALL	ALL	1/2		K00	NONE
91779-0002	2	NATURAL	1b, 2a	ALL	1/2		K01	NONE
91779-0003	2	NATURAL	1a, 2b	d20	1/2		K05	NONE
91779-0004	2	NATURAL	1a	ALL	1/2		K12	NONE
91779-0005	2	NATURAL	1a, 2b	ALL	1/2		K48	BLUE
91779-0006	2	PINK	ALL	NONE	1/2		K41	NONE
91779-0007	2	NATURAL	2a	01c	1/2		K42	NONE
91779-0008	2	PINK	ALL	d20	1/2		K34	NONE
91779-0009	2	PINK	ALL	NONE	1/2		K41	NONE
91779-0010	2	BLACK	ALL	NONE	1/2		K41	NONE
91779-0011	2	NATURAL	1a	d20	1/2		K66	NONE
91779-0012	2	NATURAL	1b	ALL	1/2		K16	NONE
91779-0013	2	NATURAL	1a	NONE	1/2		K70	NONE
91779-0014	2	NATURAL	1b 2a 2b	d20	1/2		N/A	NONE
91779-0015	2	NATURAL	ALL	d20	1/2		K34	NONE
91779-0016	2	NATURAL	ALL	01c	1/2		K33	NONE
91779-0017	2	RED	1a 1b 2b	NONE	1/2		K43	NONE
91779-0018	2	NATURAL	1b 2b	01c	1/2		K09	NONE
91779-0019	2	NATURAL	1b 2b	01c	1/2		N/A	GREEN

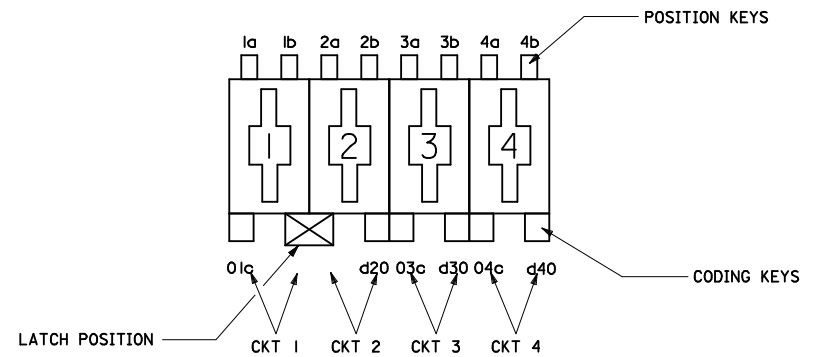
MOLEX PART NO.	CIRCUIT SIZE	COLOUR	POSITION KEYS	CODING KEYS	LATCH POSITION	CONFIGURATION	REF.	colour stripe
91779-0020	2	NATURAL	1a 2b	d20	1/2		K--	GREEN
91779-0021	2	NATURAL	2a	01c d20	1/2		K--	BLACK
91779-0022	2	NATURAL	1b	02c	1/2		K--	RED
91779-0023	2	NATURAL	1b 2b	01c	1/2		K--	BLUE
91779-0024	2	NATURAL	1b 2b	01c	1/2		K--	ORANGE
91779-0025	2	NATURAL	1a 1b	d20	1/2		K--	NONE
91779-0026	2	NATURAL	1a 2b	01c	1/2		K--	NONE
91779-0027	2	BLACK	1a 2b	NONE	1/2		K06	NONE



<b>SEE SHEET 1</b> EC NO: E2010-0363 DRAWN BY: 2010/04/29 CHKD: BMAGUIE 2005/01/07 APPR: BMAGUIE 2010/05/18	QUALITY SYMBOLS ▽=0 ▽=0	GENERAL TOLERANCES (UNLESS SPECIFIED) <table border="1"> <tr><th></th><th>mm</th><th>INCH</th></tr> <tr><td>4 PLACES</td><td>± ---</td><td>± ---</td></tr> <tr><td>3 PLACES</td><td>± ---</td><td>± ---</td></tr> <tr><td>2 PLACES</td><td>± 0.05</td><td>± ---</td></tr> <tr><td>1 PLACE</td><td>± 0.1</td><td>± ---</td></tr> <tr><td>ANGULAR</td><td>± ---°</td><td></td></tr> </table>		mm	INCH	4 PLACES	± ---	± ---	3 PLACES	± ---	± ---	2 PLACES	± 0.05	± ---	1 PLACE	± 0.1	± ---	ANGULAR	± ---°		DIMENSION STYLE <b>MM ONLY</b> DRAWN BY: GMCSWEEN DATE: 2004/10/14 CHECKED BY: BMAGUIE DATE: 2005/01/07 APPROVED BY: BMAGUIE DATE: 2005/01/07 MATERIAL NO.	SCALE: 2:1 DESIGN UNITS: METRIC THIRD ANGLE PROJECTION	TITLE: <b>RAST 5 INDIRECT FEMALE ASSEMBLY 16 AMPS</b> <b>MOLEX INCORPORATED</b> DOCUMENT NO. SD-91779-001	SHEET NO. 2 OF 4
		mm	INCH																					
	4 PLACES	± ---	± ---																					
	3 PLACES	± ---	± ---																					
2 PLACES	± 0.05	± ---																						
1 PLACE	± 0.1	± ---																						
ANGULAR	± ---°																							
DRAFT WHERE APPLICABLE MUST REMAIN WITHIN DIMENSIONS		<b>SEE TABLES</b> SIZE A 2		THIS DRAWING CONTAINS INFORMATION THAT IS PROPRIETARY TO MOLEX INCORPORATED AND SHOULD NOT BE USED WITHOUT WRITTEN PERMISSION																				

MOLEX PART NO.	CIRCUIT SIZE	COLOUR	POSITION KEYS	CODING KEYS	LATCH POSITION	CONFIGURATION	REF.	colour stripe
91779-0101	3	NATURAL	ALL	ALL	1/2		K00	NONE
91779-0102	3	NATURAL	ALL	ALL	2/3		K90	NONE
91779-0103	3	NATURAL	1b	01c d20	1/2		K01	NONE
91779-0104	3	NATURAL	2a	d10 d30	2/3		K44	NONE
91779-0105	3	NATURAL	3b	02c, d30	2/3		N/A	NONE
91779-0106	3	NATURAL	NONE	NONE	1/2		k59	NONE
91779-0107	3	NATURAL	1b	01c, d20	1/2		k01	RED
91779-0108	3	NATURAL	1a	01c, d20	1/2		K154	NONE
91779-0109	3	PINK	ALL	NONE	2/3		K39	NONE
91779-0110	3	PINK	2b, 3b	d10	2/3		K84	NONE
91779-0111	3	NATURAL	2b, 3a	d10, d30	2/3		N/A	NONE
91779-0112	3	PINK	ALL	NONE	2/3		k39	NONE
91779-0113	3	PINK	ALL	d10	2/3		K41	NONE
91779-0114	3	NATURAL	ALL	d10	2/3		K41	NONE
91779-0115	3	NATURAL	NONE	03c	1/2		K72	NONE
91779-0116	3	NATURAL	1a 1b	d30	1/2		K05	NONE
91779-0117	3	NATURAL	2a	d10 02c d30	2/3		N/A	NONE
91779-0118	3	NATURAL	2a	d10	2/3		N/A	NONE

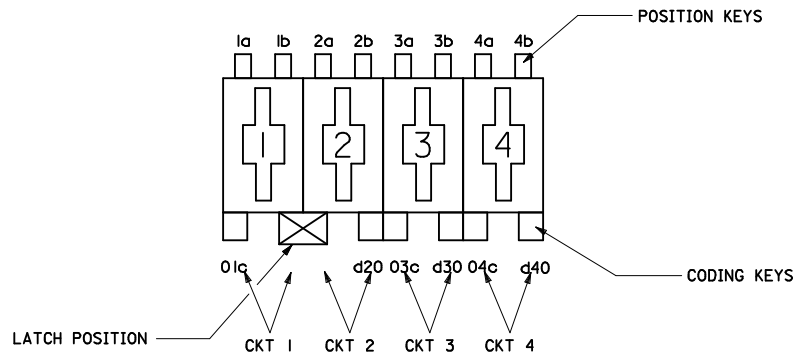
MOLEX PART NO.	CIRCUIT SIZE	TERMINAL VOID POSITION	COLOUR	POSITION KEYS	CODING KEYS	LATCH POSITION	CONFIGURATION	REF.	COLOUR STRIP
91779-0119	3	NONE	NATURAL	2a	01c d30	1/2		N/A	NONE
91779-0120	3	NONE	NATURAL	2b 3b	d30	2/3		N/A	NONE
91779-0121	3	NONE	NATURAL	NONE	01c d30	1/2		N/A	NONE
91779-0122	3	NONE	RED	1b 2a 2b 3b	NONE	2/3		k124	NONE
91779-0123	3	<b>CKT 2</b>	RED	2b 3b	d10	2/3		k84	NONE
91779-0124	3	NONE	NATURAL	NONE	d10 02c d30	2/3		N/A	NONE



KEYING, CODING & LATCH IDENTIFICATION  
(4 CKT EXAMPLE SHOWN)  
VIEW IN MATING DIRECTION

<b>SEE SHEET 1</b> EC NO: E2010-0363 DRW:BRUTTLE 2010/04/29 CHK:BMAGUIE 2005/01/07 APPR:BMAGUIE 2010/05/18	QUALITY SYMBOLS 	GENERAL TOLERANCES (UNLESS SPECIFIED)		DIMENSION STYLE <b>MM ONLY</b>		SCALE <b>2:1</b>	DESIGN UNITS <b>METRIC</b>	THIRD ANGLE PROJECTION
		4 PLACES ± --- ± --- 3 PLACES ± --- ± --- 2 PLACES ± 0.05 ± --- 1 PLACE ± 0.1 ± --- ANGULAR ± ---°	mm INCH ± --- ± --- ± 0.05 ± --- ± 0.1 ± ---	DRAWN BY GMCSWEEN 2004/10/14 CHECKED BY BMAGUIE 2005/01/07 APPROVED BY BMAGUIE 2005/01/07	DATE 2004/10/14 DATE 2005/01/07 DATE 2005/01/07	TITLE <b>RAST 5 INDIRECT FEMALE ASSEMBLY 16 AMPS</b>		<b>MOLEX INCORPORATED</b>
DRAFT WHERE APPLICABLE MUST REMAIN WITHIN DIMENSIONS		MATERIAL NO. <b>SEE TABLES</b>		DOCUMENT NO. <b>SD-91779-001</b>		SHEET NO. <b>3 OF 4</b>		
THIS DRAWING CONTAINS INFORMATION THAT IS PROPRIETARY TO MOLEX INCORPORATED AND SHOULD NOT BE USED WITHOUT WRITTEN PERMISSION								

MOLEX PART NO.	CIRCUIT SIZE	COLOUR	POSITION KEYS	CODING KEYS	LATCH POSITION	CONFIGURATION	REF.
91779-0201	4	NATURAL	ALL	ALL	1/2, 3/4		K00
91779-0202	4	NATURAL	1b	03c d40	1/2, 3/4		K01
91779-0203	4	NATURAL	1a 3a 3b	01c d20 d40	1/2, 3/4		K32
91779-0204	4	NATURAL	NONE	d20	1/2		K127
91779-0205	4	NATURAL	2a, 4b	d20	1/2, 3/4		N/A
91779-0206	4	NATURAL	2b	d20	1/2, 3/4		N/A
91779-0207	4	NATURAL	3a	01c d20 03c d40	3/4		N/A
91779-0208	4	NATURAL	3a	01c d20 03c d40	1/2 3/4		N/A
91779-0209	4	NATURAL	1a 2b 3b 4b	ALL	2/3		N/A
91779-0210	4	NATURAL	1a 1b 2b 3a 3b 4b	d20 d40	1/2 3/4		N/A



KEYING, CODING & LATCH IDENTIFICATION  
(4 CKT EXAMPLE SHOWN)  
VIEW IN MATING DIRECTION

SEE SHEET 1 EC NO: E2010-0363 DRW:BRUTTLE 2010/04/29 CHK:BMAGUIE 2005/01/07 APPR:BMAGUIE 2010/05/18	QUALITY SYMBOLS	GENERAL TOLERANCES (UNLESS SPECIFIED)	DIMENSION STYLE	SCALE	DESIGN UNITS	THIRD ANGLE PROJECTION
	▼=0 ▽=0	mm INCH 4 PLACES ± --- ± --- 3 PLACES ± --- ± --- 2 PLACES ± 0.05 ± --- 1 PLACE ± 0.1 ± --- ANGULAR ± ---°	MM ONLY DRAWN BY DATE GMCSWEEN 2004/10/14 CHECKED BY DATE BMAGUIE 2005/01/07 APPROVED BY DATE BMAGUIE 2005/01/07	2:1	METRIC	RAST 5 INDIRECT FEMALE ASSEMBLY 16 AMPS
	DRAFT WHERE APPLICABLE MUST REMAIN WITHIN DIMENSIONS	SEE TABLES	MATERIAL NO.	DOCUMENT NO.	MOLEX INCORPORATED SD-91779-001	
		SIZE A 2	THIS DRAWING CONTAINS INFORMATION THAT IS PROPRIETARY TO MOLEX INCORPORATED AND SHOULD NOT BE USED WITHOUT WRITTEN PERMISSION		SHEET NO. 4 OF 4	