

PLEASE CHECK WWW.MOLEX.COM FOR LATEST PART INFORMATION

Part Number: [0039014056](#)
Status: **Active**
Overview: [minifit_jr](#)
Description: 4.20mm (.165") Pitch Mini-Fit Jr.™ Plug Housing, Single Row, without Panel Mount Ears, PA Polyamide Nylon 6/6, UL 94V-2, 5 Circuits

Documents:

[3D Model](#) [Product Specification PS-5556-001 \(PDF\)](#)
[Drawing \(PDF\)](#) [RoHS Certificate of Compliance \(PDF\)](#)

Agency Certification

CSA	LR19980
TUV	R72081037
UL	E29179

General

Product Family	Crimp Housings
Series	5559
Comments	Current = 13A max. per circuit when header is mated to a receptacle loaded with 45750 series terminals crimped to 16 AWG wire. . See Molex product specification PS-45750-001 for additional current derating information.. Glow Wire Equivalent Part Number 50361681
Overview	minifit_jr
Product Name	Mini-Fit Jr.™

Physical

Breakaway	No
Circuits (maximum)	5
Color - Resin	Natural
Flammability	94V-2
Gender	Male
Glow-Wire Compliant	No
Keying to Mating Part	None
Lock to Mating Part	Yes
Material - Resin	Nylon
Number of Rows	1
Packaging Type	Bag
Panel Mount	No
Pitch - Mating Interface (in)	0.165 In
Pitch - Mating Interface (mm)	4.20 mm
Pitch - Term. Interface (in)	0.165 In
Pitch - Term. Interface (mm)	4.20 mm
Polarized to Mating Part	Yes
Stackable	No
Temperature Range - Operating	-40°C to +105°C

Electrical

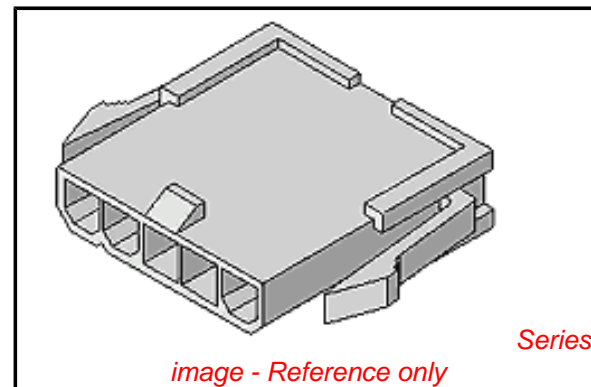
Current - Maximum per Contact	13A
-------------------------------	-----

Material Info

Old Part Number	5559-05P3
-----------------	-----------

Reference - Drawing Numbers

Packaging Specification	PK-5559-003
Product Specification	PS-5556-001



EU RoHS

ELV and RoHS Compliant
REACH SVHC Contains SVHC: No
Halogen-Free Status

China RoHS



Halogen-Free

Need more information on product environmental compliance?

Email productcompliance@molex.com
 For a multiple part number RoHS Certificate of Compliance, [click here](#)

Please visit the [Contact Us](#) section for any non-product compliance questions.

Search Parts in this Series

[5559Series](#)

Mates With

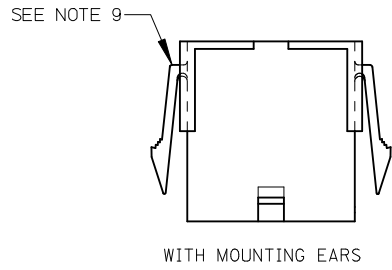
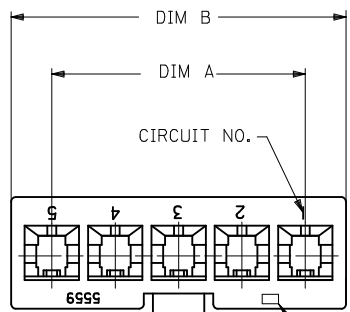
[39-01-4050](#) Crimp Housing

Use With

[5558](#) Mini-Fit Jr.™ Male Crimp Terminals.
[44478](#) Mini-Fit HCS™ Male Crimp Terminals.
[30490](#) Mini-Fit® Male Grounding Crimp Terminals

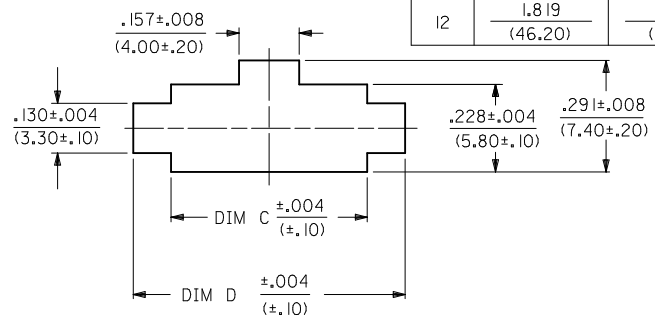
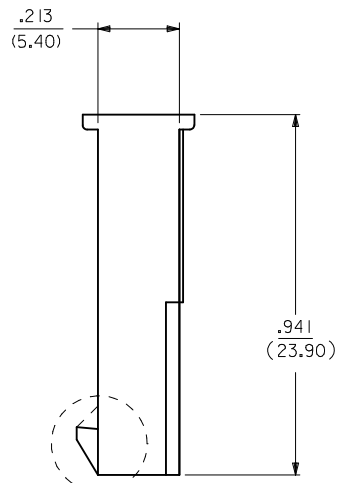
This document was generated on 05/19/2010

PLEASE CHECK WWW.MOLEX.COM FOR LATEST PART INFORMATION



CKT SIZE	DIM A	DIM B	DIM C	DIM D
4	.496 (12.60)	.709 (18.00)	.724 (18.40)	.921 (23.40)
5	.661 (16.80)	.874 (22.20)	.890 (22.60)	1.087 (27.60)
6	.827 (21.00)	1.039 (26.40)	1.055 (26.80)	1.252 (31.80)
7	.992 (25.20)	1.205 (30.60)	1.220 (31.00)	1.417 (36.00)
8	1.157 (29.40)	1.370 (34.80)	1.386 (35.20)	1.583 (40.20)
9	1.323 (33.60)	1.535 (39.00)	1.551 (39.40)	1.748 (44.40)
10	1.488 (37.80)	1.701 (43.20)	1.717 (43.60)	1.913 (48.60)
11	1.654 (42.00)	1.866 (47.40)	1.882 (47.80)	2.079 (52.80)
12	1.819 (46.20)	2.031 (51.60)	2.047 (52.00)	2.244 (57.00)

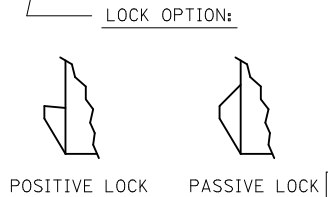
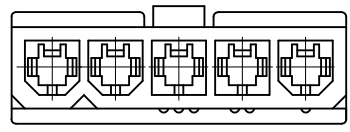
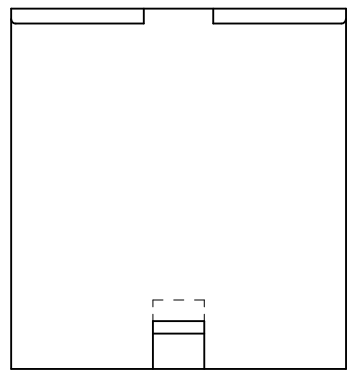
FACTORY ID
SEE NOTE 9



RECOMMENDED PANEL CUT-OUT
(SEE NOTES 7 & 8)

NOTES:

- MATERIAL: BLANK=NYLON 6/6, UL 94V-2, COLOR: NATURAL.
210=NYLON 6/6, UL 94V-0, COLOR: NATURAL.
400=NYLON 6/6, UL 94 V-0, COLOR: BLACK.
- FINISH: NOTE APPLICABLE
- PRODUCT SPECIFICATION: PS-5556-001
- PACKAGING SPECIFICATION: BULK PER PK-5559-003
- THIS PART MATES WITH RECEPTACLE NO. 5557.
- THIS PART IS FOR USE WITH MOLEX MALE TERMINAL NO. 5558-*
- PANEL MOUNT VERSION IS FOR USE WITH .031/.079/(10.80/2.00) THICK PANELS.
- PANEL SHOULD BE PUNCHED IN THE DIRECTION OF CONNECTOR INSERTION.
- FACTORY ID MAY BE LOCATED ON EARS.
- THIS PART CONFORMS TO CLASS B REQUIREMENTS OF COSMETIC SPECIFICATION PS-45499-002.
- PART IS NOT DESIGNED FOR CURRENT SHARING.
- PARTS ARE NOT TO BE MATED OR UNMATED WHILE CIRCUITS ARE LIVE.
- WIRES ARE TO BE DRESSED IN SUCH A MANNER TO ALLOW THE TERMINALS TO FLOAT FREELY IN THE POCKET.



2	J3
1	J4

NOTE 788 CALLOUTS EC NO: UCP2010-1692 DRWN: JAGULAR 2010/01/20 CHKD: J.BELL 2010/01/22 APPR: F.SMITH 2010/01/25	QUALITY SYMBOLS	GENERAL TOLERANCES (UNLESS SPECIFIED)	DIMENSION STYLE	SCALE	DESIGN UNITS	THIRD ANGLE PROJECTION	
	▽=0	mm INCH	IN/MM	1:1	METRIC		
	▽=0	4 PLACES ± --- ± --- 3 PLACES ± --- ± .010 2 PLACES ± 0.25 ± .015 1 PLACE ± 0.38 ± ---	DRAWN BY DATE KSS 2/19/89	TITLE	MINI-FIT JR. SERIES PLUG (SINGLE ROW)		
	J4	ANGULAR ±1/2°	CHECKED BY DATE RJF 2/19/89	MOLEX INCORPORATED			

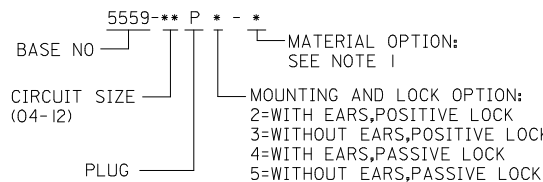
DRAFT WHERE APPLICABLE
MUST REMAIN WITHIN DIMENSIONS

MATERIAL NO.	DOCUMENT NO.	SHEET NO.
SEE CHART	SD-5559-NLP*	1 OF 2
THIS DRAWING CONTAINS INFORMATION THAT IS PROPRIETARY TO MOLEX INCORPORATED AND SHOULD NOT BE USED WITHOUT WRITTEN PERMISSION		

13	12	11	10	9	8	7	
TOOLED	PART NO	ENG NO	CKT SIZE	MOUNTING OPTION	LOCK OPTION	MATERIAL SEE NOTE I	
J	NO	39-01-4042	5559-04P2	4	W/EARS	POSITIVE	94V-2
J	YES	39-01-4046	5559-04P3	4	W/O EAR	POSITIVE	94V-2
J	NO	39-01-4043	5559-04P2-2 I0	4	W/EARS	POSITIVE	94V-0
J	YES	39-01-4047	5559-04P3-2 I0	4	W/O EAR	POSITIVE	94V-0
I	YES	39-01-4052	5559-05P2	5	W/EARS	POSITIVE	94V-2
I	YES	39-01-4056	5559-05P3	5	W/O EAR	POSITIVE	94V-2
I	YES	39-01-4053	5559-05P2-2 I0	5	W/EARS	POSITIVE	94V-0
I	YES	39-01-4057	5559-05P3-2 I0	5	W/O EAR	POSITIVE	94V-0
I	YES	50-30-4446	5559-05P3-400	5	W/O EAR	POSITIVE	94V-0
H	NO	39-01-4062	5559-06P2	6	W/EARS	POSITIVE	94V-2
H	NO	39-01-4066	5559-06P3	6	W/O EAR	POSITIVE	94V-2
H	NO	39-01-4063	5559-06P2-2 I0	6	W/EARS	POSITIVE	94V-0
H	NO	39-01-4067	5559-06P3-2 I0	6	W/O EAR	POSITIVE	94V-0
G	NO	39-01-4072	5559-07P2	7	W/EARS	POSITIVE	94V-2
G	NO	39-01-4076	5559-07P3	7	W/O EAR	POSITIVE	94V-2
G	NO	39-01-4073	5559-07P2-2 I0	7	W/EARS	POSITIVE	94V-0
G	NO	39-01-4077	5559-07P3-2 I0	7	W/O EAR	POSITIVE	94V-0
G	NO	39-01-4082	5559-08P2	8	W/EARS	POSITIVE	94V-2
G	NO	39-01-4086	5559-08P3	8	W/O EAR	POSITIVE	94V-2
G	NO	39-01-4083	5559-08P2-2 I0	8	W/EARS	POSITIVE	94V-0
G	NO	39-01-4087	5559-08P3-2 I0	8	W/O EAR	POSITIVE	94V-0
F	NO	39-01-4092	5559-09P2	9	W/EARS	POSITIVE	94V-2
F	NO	39-01-4096	5559-09P3	9	W/O EAR	POSITIVE	94V-2
F	NO	39-01-4093	5559-09P2-2 I0	9	W/EARS	POSITIVE	94V-0
F	NO	39-01-4097	5559-09P3-2 I0	9	W/O EAR	POSITIVE	94V-0
E	NO	39-01-4102	5559-10P2	10	W/EARS	POSITIVE	94V-2
E	NO	39-01-4106	5559-10P3	10	W/O EAR	POSITIVE	94V-2
E	NO	39-01-4103	5559-10P2-2 I0	10	W/EARS	POSITIVE	94V-0
E	NO	39-01-4107	5559-10P3-2 I0	10	W/O EAR	POSITIVE	94V-0
D	NO	39-01-4112	5559-11P2	11	W/EARS	POSITIVE	94V-2
D	NO	39-01-4116	5559-11P3	11	W/O EAR	POSITIVE	94V-2
D	NO	39-01-4113	5559-11P2-2 I0	11	W/EARS	POSITIVE	94V-0
D	NO	39-01-4117	5559-11P3-2 I0	11	W/O EAR	POSITIVE	94V-0
D	NO	39-01-4122	5559-12P2	12	W/EARS	POSITIVE	94V-2
D	NO	39-01-4126	5559-12P3	12	W/O EAR	POSITIVE	94V-2
D	NO	39-01-4123	5559-12P2-2 I0	12	W/EARS	POSITIVE	94V-0
D	NO	39-01-4127	5559-12P3-2 I0	12	W/O EAR	POSITIVE	94V-0

6	5	4	3	2	1		
TOOLED	PART NO	ENG NO	CKT SIZE	MOUNTING OPTION	LOCK OPTION	MATERIAL SEE NOTE I	
J	NO	NO E.D.P.	5559-04P4	4	W/EARS	PASSIVE	94V-2
J	NO	NO E.D.P.	5559-04P5	4	W/O EAR	PASSIVE	94V-2
J	NO	NO E.D.P.	5559-04P4-2 I0	4	W/EARS	PASSIVE	94V-0
J	NO	NO E.D.P.	5559-04P5-2 I0	4	W/O EAR	PASSIVE	94V-0
I	YES	50-29-1599	5559-05P4-2 I0	5	W/EARS	PASSIVE	94V-0
I	NO	NO E.D.P.	5559-05P5-2 I0	5	W/O EAR	PASSIVE	94V-0
I	NO	NO E.D.P.	5559-05P5-400	5	W/O EAR	PASSIVE	94V-0
H	NO	NO E.D.P.	5559-06P4	6	W/EARS	PASSIVE	94V-2
H	NO	NO E.D.P.	5559-06P5	6	W/O EAR	PASSIVE	94V-2
H	NO	NO E.D.P.	5559-06P4-2 I0	6	W/EARS	PASSIVE	94V-0
H	NO	NO E.D.P.	5559-06P5-2 I0	6	W/O EAR	PASSIVE	94V-0
G	NO	NO E.D.P.	5559-07P4	7	W/EARS	PASSIVE	94V-2
G	NO	NO E.D.P.	5559-07P5	7	W/O EAR	PASSIVE	94V-2
G	NO	NO E.D.P.	5559-07P4-2 I0	7	W/EARS	PASSIVE	94V-0
G	NO	NO E.D.P.	5559-07P5-2 I0	7	W/O EAR	PASSIVE	94V-0
F	NO	NO E.D.P.	5559-08P4	8	W/EARS	PASSIVE	94V-2
F	NO	NO E.D.P.	5559-08P5	8	W/O EAR	PASSIVE	94V-2
F	NO	NO E.D.P.	5559-08P4-2 I0	8	W/EARS	PASSIVE	94V-0
F	NO	NO E.D.P.	5559-08P5-2 I0	8	W/O EAR	PASSIVE	94V-0
E	NO	NO E.D.P.	5559-09P4	9	W/EARS	PASSIVE	94V-2
E	NO	NO E.D.P.	5559-09P5	9	W/O EAR	PASSIVE	94V-2
E	NO	NO E.D.P.	5559-09P4-2 I0	9	W/EARS	PASSIVE	94V-0
E	NO	NO E.D.P.	5559-09P5-2 I0	9	W/O EAR	PASSIVE	94V-0
E	NO	NO E.D.P.	5559-10P4	10	W/EARS	PASSIVE	94V-2
E	NO	NO E.D.P.	5559-10P5	10	W/O EAR	PASSIVE	94V-2
E	NO	NO E.D.P.	5559-10P4-2 I0	10	W/EARS	PASSIVE	94V-0
E	NO	NO E.D.P.	5559-10P5-2 I0	10	W/O EAR	PASSIVE	94V-0
D	NO	NO E.D.P.	5559-11P4	11	W/EARS	PASSIVE	94V-2
D	NO	NO E.D.P.	5559-11P5	11	W/O EAR	PASSIVE	94V-2
D	NO	NO E.D.P.	5559-11P4-2 I0	11	W/EARS	PASSIVE	94V-0
D	NO	NO E.D.P.	5559-11P5-2 I0	11	W/O EAR	PASSIVE	94V-0
D	NO	NO E.D.P.	5559-12P4	12	W/EARS	PASSIVE	94V-2
D	NO	NO E.D.P.	5559-12P5	12	W/O EAR	PASSIVE	94V-2
D	NO	NO E.D.P.	5559-12P4-2 I0	12	W/EARS	PASSIVE	94V-0
D	NO	NO E.D.P.	5559-12P5-2 I0	12	W/O EAR	PASSIVE	94V-0

LEGEND



SEE SHEET 1 EC NO: UCP2010-1068 DRAWN: JAGUILAR CHKD: J.BELL APPR: F.S.MITH 2009/10/27 2009/10/30 2009/10/30	QUALITY SYMBOLS	GENERAL TOLERANCES (UNLESS SPECIFIED)	DIMENSION STYLE	SCALE	DESIGN UNITS	THIRD ANGLE PROJECTION																																			
	$\nabla=0$ $\nabla=0$	<table border="1"> <tr><th colspan="2">mm</th><th colspan="2">INCH</th></tr> <tr><td>4 PLACES</td><td>± ---</td><td>± ---</td><td></td></tr> <tr><td>3 PLACES</td><td>± ---</td><td>± .010</td><td></td></tr> <tr><td>2 PLACES</td><td>± 0.25</td><td>± .015</td><td></td></tr> <tr><td>1 PLACE</td><td>± 0.38</td><td>± ---</td><td></td></tr> </table>	mm		INCH		4 PLACES	± ---	± ---		3 PLACES	± ---	± .010		2 PLACES	± 0.25	± .015		1 PLACE	± 0.38	± ---		<table border="1"> <tr><th colspan="2">IN/MM</th></tr> <tr><td>DRAWN BY</td><td>DATE</td></tr> <tr><td>RJF</td><td>10/13/89</td></tr> <tr><td>CHECKED BY</td><td>DATE</td></tr> <tr><td>BAP</td><td>10/13/89</td></tr> <tr><td>APPROVED BY</td><td>DATE</td></tr> <tr><td>RAS</td><td>10/13/89</td></tr> </table>	IN/MM		DRAWN BY	DATE	RJF	10/13/89	CHECKED BY	DATE	BAP	10/13/89	APPROVED BY	DATE	RAS	10/13/89	TITLE	MATERIAL NO.	DOCUMENT NO.	SHEET NO.
	mm		INCH																																						
	4 PLACES	± ---	± ---																																						
3 PLACES	± ---	± .010																																							
2 PLACES	± 0.25	± .015																																							
1 PLACE	± 0.38	± ---																																							
IN/MM																																									
DRAWN BY	DATE																																								
RJF	10/13/89																																								
CHECKED BY	DATE																																								
BAP	10/13/89																																								
APPROVED BY	DATE																																								
RAS	10/13/89																																								
DRAFT WHERE APPLICABLE MUST REMAIN WITHIN DIMENSIONS	SEE CHART	MINI-FIT JR SERIES PLUG (SINGLE ROW)	MOLEX INCORPORATED	SD-5559-NLP*	2 OF 2																																				

THIS DRAWING CONTAINS INFORMATION THAT IS PROPRIETARY TO MOLEX INCORPORATED AND SHOULD NOT BE USED WITHOUT WRITTEN PERMISSION