

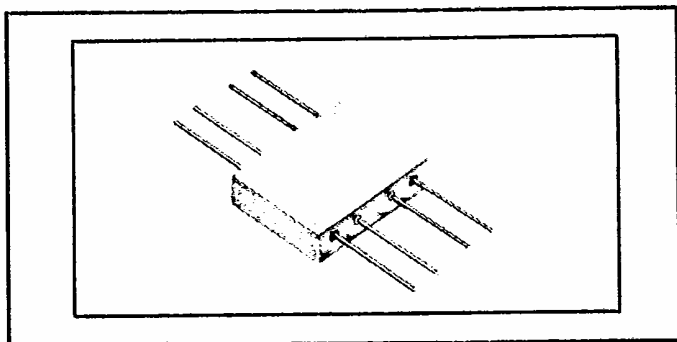
directional couplers

FLAT PACK AND TO-8 • 0.01 - 800 MHz

T-74-09-01

GENERAL SPECIFICATIONS

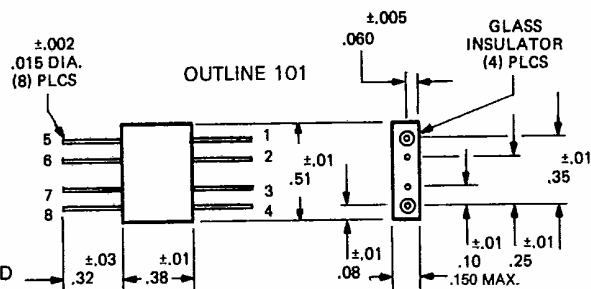
VSWR: 1.30 Typical
 Impedance: 50 Ohms Nominal
 Matched Power Rating: 1 Watt Max.
 Weight: 5 Grams
 Temperature Range: -55 to 100°C (operating & storage)
 Finish: Flat Pack - Gold, MIL-G-45204
 TO-8 - Bright Nickel



Moisture Resistance: Method 106D
 Salt Spray: Method 101D
 Vibration High Frequency: Method 204C
 Shock Test: Method 213B
 Workmanship in Accordance with MIL-STD-454D
 Requirements 5 and 9

PIN CONNECTIONS

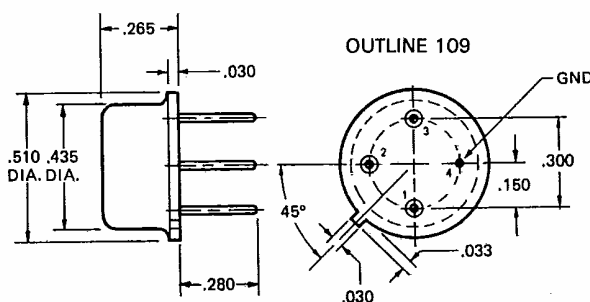
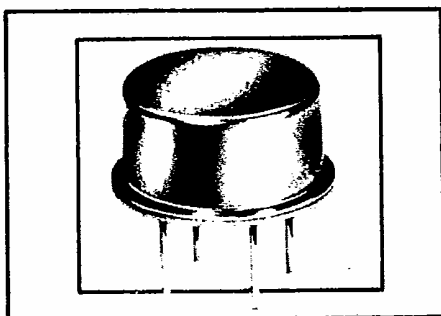
1 INPUT
 5 OUTPUT
 4 COUPLED
 2, 3, 6, 7, 8 CASE GND



FLAT-PACK MODELS

Coupling (dB)	Model	Frequency (MHz)	Directivity (dB Min.)	Flatness (± dB)	Ins. Loss* (dB Max.)	Outline
11.8 ± 0.5	DCF1010	1-5	20	0.5	1.2	101
		5-200	25	0.5	0.6	
		200-400	18	0.5	0.8	
		400-500	15	0.5	1.0	
19.7 ± 1.0	DCF1011 DCF2010	5-500	23	0.5	1.5	101
		1-500	15	0.5	0.7	101

*Does not include coupling loss.



PIN CONNECTIONS

1 OUTPUT
 2 INPUT
 3 COUPLED
 4 CASE GND

TO-8 DIRECTIONAL COUPLERS

Nominal Coupling (dB)	Model	Frequency (MHz)	Directivity (dB Min.)	Flatness (± dB)	Transmission Loss* (dB Max.)	Outline
10.7 ± 0.5	DCT-1081	1-200	20	0.3	1.5	109
	DCT-1080	200-500	15	0.5	1.7	109
20 ± 1.0	DCT-2081	0.1-200	22	0.3	0.9	109
	DCT-2080	200-500	15	0.5	0.9	109

*Including coupling loss.

KDI ELECTRONICS, INC.
 Pyrofilm & Engelmann Divisions

60 South Jefferson Road, Whippany, N.J. 07981 • TEL (201) 887-8100 • TWX (710) 986-8220 • FAX (201) 887-4645