

PLEASE CHECK WWW.MOLEX.COM FOR LATEST PART INFORMATION

Part Number: [0470192002](#)
Status: **Active**
Overview: sim smart card
Description: 2.54mm (.100") Pitch SIM Card Connector, 6 Circuits, Housing Height 2.00mm (.079"), Lead Free

Documents:

[3D Model](#) [Product Specification PS-47019-001 \(PDF\)](#)
[Drawing \(PDF\)](#) [RoHS Certificate of Compliance \(PDF\)](#)

General

Product Family	Memory Card Sockets
Series	47019
Button Type	N/A
Comments	Housing Height: 2.00mm (.079")
Component Type	Header/Socket (Host)
Overview	sim smart card
Product Name	SIM
Type	N/A

Physical

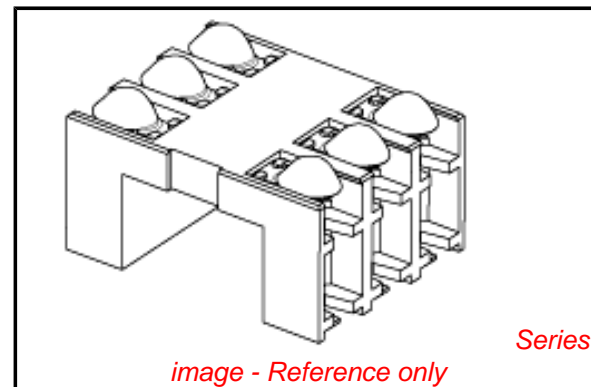
Card Detection Switch	No
Circuits (Loaded)	6
Circuits (maximum)	6
Color - Resin	Black
Durability (mating cycles max)	3,000
Ejector Button Side	No Ejector Button Present
Entry Angle	Horizontal
Keying to Mating Part	None
Material - Metal	Phosphor Bronze
Material - Plating Mating	Gold
Material - Plating Termination	Gold
Material - Resin	High Temperature Thermoplastic
PCB Locator	No
PCB Mounting Side	Reverse
PCB Retention	None
Packaging Type	Embossed Tape on Reel
Pitch - Mating Interface (in)	0.100 In
Pitch - Mating Interface (mm)	2.54 mm
Pitch - Term. Interface (in)	0.100 In
Pitch - Term. Interface (mm)	2.54 mm
Plating min: Mating (µin)	32
Plating min: Mating (µm)	0.8
Plating min: Termination (µin)	2
Plating min: Termination (µm)	0.05
Ports	0
Temperature Range - Operating	-30°C to +85°C
Termination Interface: Style	Surface Mount

Electrical

Current - Maximum per Contact	0.5A
Shielded	No
Voltage - Maximum	15V DC

Solder Process Data

Duration at Max. Process Temperature (seconds)	48
--	----



EU RoHS

**ELV and RoHS
Compliant**
REACH SVHC
 Not Reviewed
**Halogen-Free
Status**
 Not Reviewed

China RoHS



**Need more information on product
environmental compliance?**

Email productcompliance@molex.com
 For a multiple part number RoHS Certificate of Compliance, [click here](#)

Please visit the [Contact Us](#) section for any non-product compliance questions.

Search Parts in this Series

[47019Series](#)

Mates With

Standard SIM Card

Lead-free Process Capability	Reflow Capable (SMT only)
Max. Cycles at Max. Process Temperature	3
Process Temperature max. C	260

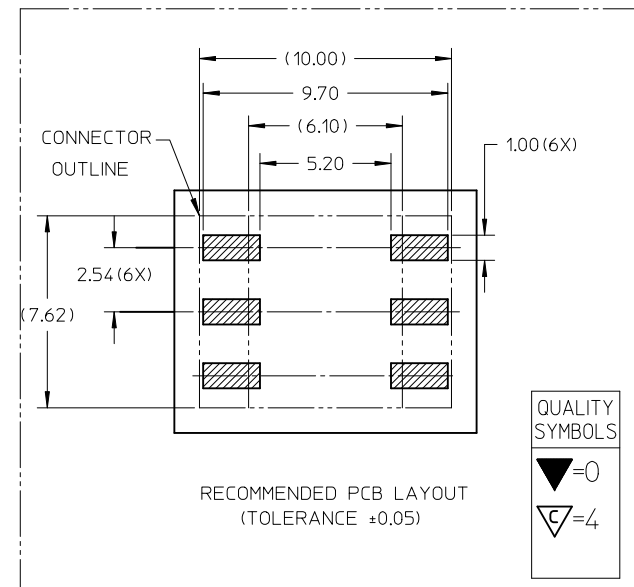
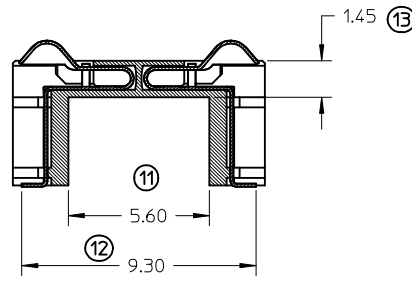
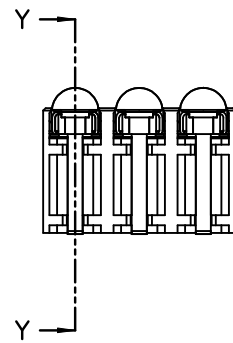
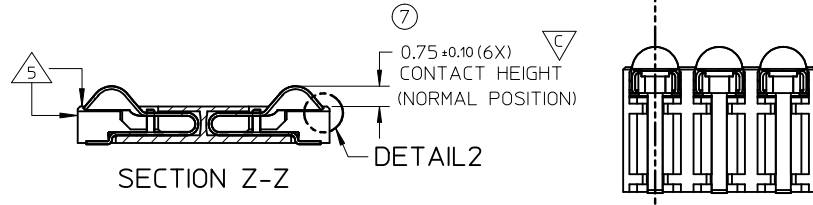
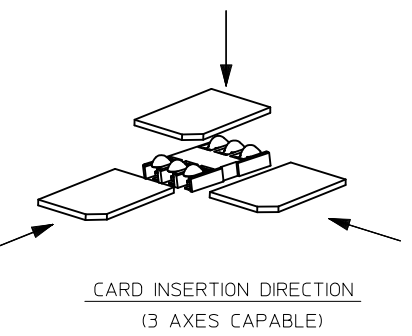
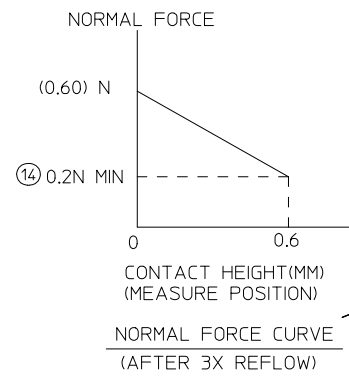
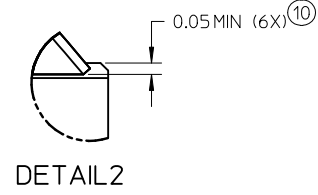
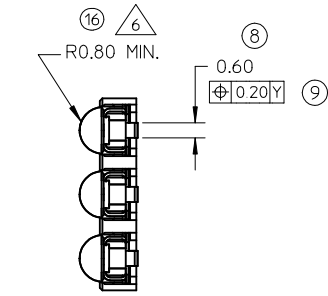
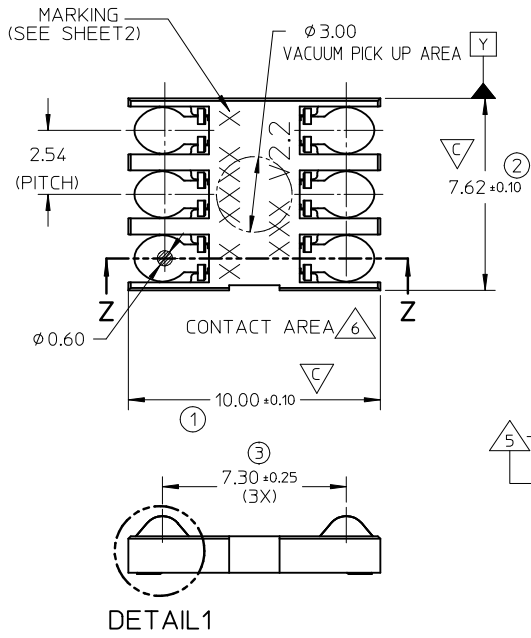
Material Info

Reference - Drawing Numbers

Packaging Specification	PK-47019-001
Product Specification	PS-47019-001
Sales Drawing	SD-47019-001
Test Summary	TS-47019-001

This document was generated on 05/27/2010

PLEASE CHECK WWW.MOLEX.COM FOR LATEST PART INFORMATION



QUALITY SYMBOLS

▽=0
▽=4

- NOTES:
- 1 MATERIAL:
 - 1-1 HOUSING : LCP 30% GLASS FILL, UL94 V-0,COLOR BLACK
 - 1-2 TERMINAL : PHOSPHOR BRONZE 0.12MM REF THICKNESS
 - 2 PLATING:TERMINAL:
 - 2-1 SIM SIDE (CONTACT AREA): 0.8 MICROMETER MIN GOLD
 - 2-1 SOLDER TAIL : GOLD FLASH 0.05 MICROMETER MIN
 - 2-3 UNDERPLATING : 2 MICROMETER NICKEL OVERALL
 - 3 H DIMENSION MINIMUM=1.50,MAXIMUM=5.00(SEE CHART ON SHEET2)
 - 4 NO SHARP EDGES INTERFACING WITH THE PCB OR SIM CARD
 - 5 CONTACT MUST NOT EXTENDED BEYOND HOUSING EDGE DURING DEFLECTION AND MUST LOWER THAN HOUSING LEVEL AFTER 3 TIMES REFLOW
 - 6 MAINTAIN IN CONTACT AREA

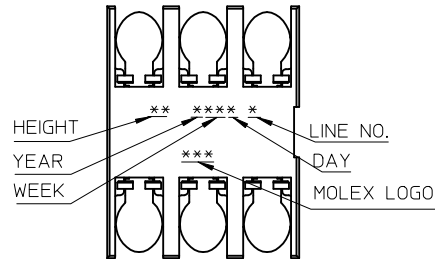
RELEASED EC NO:58122000-03955 DRWN:JL1U39 CHKD:LANDY APPR:WFDENG 2010/03/10 2010/03/10 2010/04/02	QUALITY SYMBOLS	GENERAL TOLERANCES (UNLESS SPECIFIED)	DIMENSION STYLE	SCALE	DESIGN UNITS	THIRD ANGLE PROJECTION
	▽=0	mm INCH	MM ONLY	NTS	METRIC	
	▽=0	4 PLACES ± --- ± ---	DRAWN BY	DATE	TITLE	6 CKT SCALABLE SIM CONNECTOR
	▽=0	3 PLACES ± --- ± ---	JLU	2004/03/21		
▽=0	2 PLACES ± 0.10 ± ---	CHECKED BY	DATE		MOLEX INCORPORATED SD-47019-001	
▽=0	1 PLACE ± 0.2 ± ---	YJWU	2004/03/21			
	ANGULAR ± 2 °	APPROVED BY	DATE			
		WFDENG	2010/03/29			
		MATERIAL NO.	DOCUMENT NO.			
		SEE TABLE				
		DRAFT WHERE APPLICABLE MUST REMAIN WITHIN DIMENSIONS				
		SIZE	THIS DRAWING CONTAINS INFORMATION THAT IS PROPRIETARY TO MOLEX INCORPORATED AND SHOULD NOT BE USED WITHOUT WRITTEN PERMISSION			
		A3				

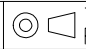
10	
9	
8	
7	
6	
5	
4	
3	
2	
1	

PART NUMBER	DIM H
470192002	2.0
470192402	2.4

HEIGHT	YEAR	WEEK	DAY	LINE NO.	MOLEX LOGO		
15--50	0--9	01--52	1--7	1--	MSH	MCH	MCD
Example 20	Example 0-2010	Example 13	Example 1	Example 2	PRODUCE IN SHANGHAI	PRODUCE IN DONG GUAN	PRODUCE IN CHENG DU

 PRODUCTION TOOL PART PRINTED DATE CODE



RELEASED EC NO: 58122000-00355 DRWN: JLU39 2010/03/10 CHKD: LANDY 2010/03/10 APPR: WFDENG 2010/04/02	DESCRIPTION REV	QUALITY SYMBOLS	GENERAL TOLERANCES (UNLESS SPECIFIED)	DIMENSION STYLE	SCALE	DESIGN UNITS	THIRD ANGLE PROJECTION	
		$F_A=0$	mm INCH	MM ONLY	NTS	METRIC		
		$F_C=0$	4 PLACES ± --- ± ---	DRAWN BY DATE	TITLE			
		$F_P=0$	3 PLACES ± --- ± ---	JLU 2004/03/21	6 CKT SCALABLE SIM CONNECTOR			
		2 PLACES ± 0.10 ± ---	CHECKED BY DATE	MATERIAL NO. DOCUMENT NO.				
		1 PLACE ± 0.2 ± ---	YJWU 2004/03/21	SD-47019-001				
		ANGULAR ± 2 °	APPROVED BY DATE	SHEET NO.				
			WFDENG 2010/03/29	2 OF 2				
			MATERIAL NO.	THIS DRAWING CONTAINS INFORMATION THAT IS PROPRIETARY TO MOLEX INCORPORATED AND SHOULD NOT BE USED WITHOUT WRITTEN PERMISSION				
			SEE TABLE					