

**PLEASE CHECK WWW.MOLEX.COM FOR LATEST PART INFORMATION**

**Part Number:** **0857202050**  
**Status:** **Active**  
**Overview:** rj45 industrial ethernet plugs receptacles and accessories  
**Description:** Modular Plug, RJ-45, Push/Pull, Industrial Ethernet, Category 5, Shielded, IP67, 4 Data Contacts Loaded

**Documents:**

[Drawing \(PDF\)](#) [RoHS Certificate of Compliance \(PDF\)](#)

**General**

Product Family	Modular Jacks/Plugs
Series	<u>85720</u>
Component Type	Wire Plug
Magnetic	No
Overview	<u>rj45 industrial ethernet plugs receptacles and accessories</u>
Performance Category	5
Power over Ethernet (PoE)	N/A
Product Name	Industrial, RJ45

**Physical**

Color - Resin	Black
Durability (mating cycles max)	750
Inverted / Top Latch	N/A
Keying to Mating Part	None
Lightpipes/LEDs	None
Material - Metal	Phosphor Bronze
Material - Plating Mating	Gold
Material - Plating Termination	Gold
Material - Resin	Polycarbonate
Orientation	N/A
PCB Locator	No
PCB Retention	N/A
Packaging Type	Tray
Panel Mount	N/A
Ports	1
Positions / Loaded Contacts	8/4
Temperature Range - Operating	-40°C to +70°C
Termination Interface: Style	N/A
Wire/Cable Type	Round

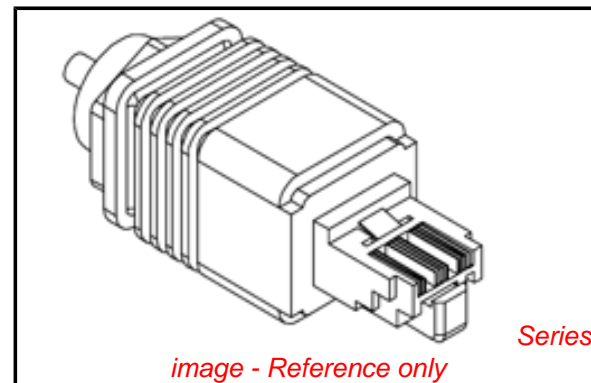
**Electrical**

Current - Maximum per Contact	1.5A
Grounding to PCB	No
Grounding to Panel	N/A
Shielded	Yes
Voltage - Maximum	48V

**Material Info**

**Reference - Drawing Numbers**

Application Specification	AS-85720-002
Sales Drawing	SD-85720-001



*image - Reference only*

**EU RoHS**

**ELV and RoHS  
Compliant**  
**REACH SVHC  
Not Reviewed**  
**Halogen-Free  
Status**  
**Not Reviewed**

**China RoHS**



**Need more information on product  
environmental compliance?**

Email [productcompliance@molex.com](mailto:productcompliance@molex.com)  
 For a multiple part number RoHS Certificate of Compliance, [click here](#)

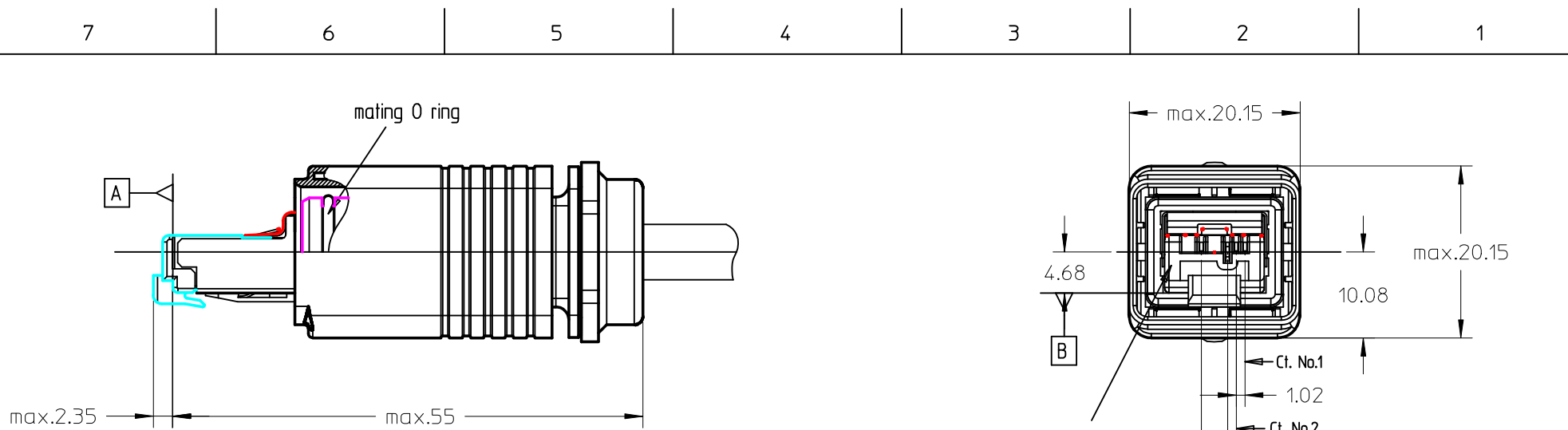
Please visit the [Contact Us](#) section for any non-product compliance questions.

**Search Parts in this Series**

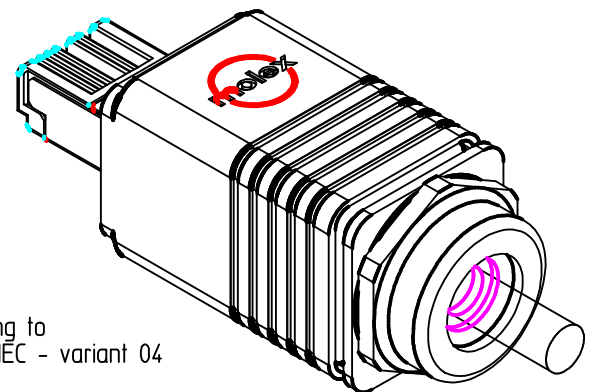
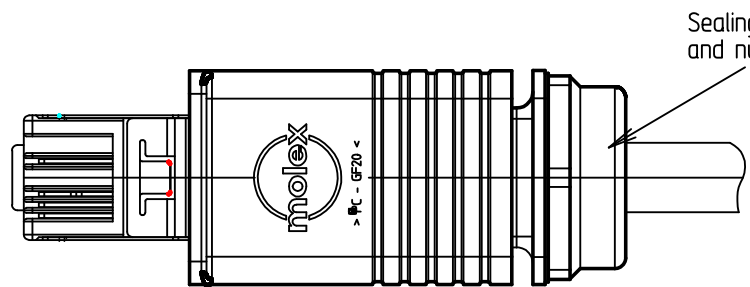
85720Series

**Mates With**

RJ-45 Jacks and Accessories



mating face compatible to IEC 60603-7



Plug according to 61076-3-106 IEC - variant 04

Cable diameter : 6,5 to 7,2 mm  
 AWG 22 to AWG 23 solid &  
 AWG 22 to AWG 24 stranded  
 With wires O.D. max. 1.6 mm.

Au: 1,27 um over nickel  
 Data contact plating

ENTER DESCRIPTION	EC NO: MG2006-0187
	DRWN: CSEBASTI 2008/12/19
	CHKD: RSILLER 2008/12/19
	APPR: AVOGT 2008/12/19
	REV

QUALITY SYMBOLS
▼=0
∇=0

GENERAL TOLERANCES (UNLESS SPECIFIED)	
	mm INCH
4 PLACES	± --- ± ---
3 PLACES	± --- ± ---
2 PLACES	± --- ± ---
1 PLACE	± --- ± ---
ANGULAR ± 2 °	
DRAFT WHERE APPLICABLE MUST REMAIN WITHIN DIMENSIONS	

DIMENSION STYLE MM ONLY	
DRAWN BY	DATE
KNOLLER	05/06/16
CHECKED BY	DATE
FCARABET	05/06/20
APPROVED BY	DATE
KNOLLER	05/06/21
MATERIAL NO. 85720-2050	
SIZE	THIS DRAWING CONTAINS INFORMATION THAT IS PROPRIETARY TO MOLEX INCORPORATED AND SHOULD NOT BE USED WITHOUT WRITTEN PERMISSION

SCALE 1.5:1	DESIGN UNITS METRIC	FIRST ANGLE PROJECTION
TITLE PUSH PULL RJ INDUSTRIAL THERMOPL. IP67 SHIELDED PLUG WITH 4DATA CONT.		
MOLEX MOLEX INCORPORATED		
DOCUMENT NO. SD-85720-001	SHEET NO. 1 OF 1	